



US00D384311S

United States Patent [19]

[11] Patent Number: **Des. 384,311**

Maruyama et al.

[45] Date of Patent: ****Sep. 30, 1997**

[54] AUTOMOBILE TIRE

OTHER PUBLICATIONS

[75] Inventors: **Hirokatsu Maruyama**, Hiratsuka;
Kohtaroh Iwabuchi, Tokyo, both of
Japan

Atlas Pinnacle TE tire, *1994 Tread Design Guide*, p. 4, third
row, center.

[73] Assignee: **The Yokohama Rubber Co., Ltd.**,
Tokyo, Japan

Primary Examiner—James Gandy
Assistant Examiner—Robert Spear
Attorney, Agent, or Firm—Nikaido, Marmelstein, Murray &
Oram LLP

[**] Term: **14 Years**

[57] CLAIM

[21] Appl. No.: **52,724**

The ornamental design for an automobile tire, as shown and
described.

[22] Filed: **Apr. 9, 1996**

[30] Foreign Application Priority Data

DESCRIPTION

Oct. 30, 1995 [JP] Japan 7-032356

[51] LOC (6) Cl. 12-15

[52] U.S. Cl. D12/147

[58] Field of Search D12/141-143,
D12/146-148; 152/209 R, 209 D

FIG. 1 is a front view of the automobile tire, showing the
new design, the top plan view and bottom plan view
appearing the same as the front view;

FIG. 2 is a rear view of the automobile tire;

FIG. 3 is a right side view of the automobile tire, the left side
view appearing the same as the right side view;

FIG. 4 is a fragmentary front view, showing in enlargement
the portion 4—4 in FIG. 1; and,

FIG. 5 is a sectional view, taken on line 5-5 of FIG. 4.

[56] References Cited

U.S. PATENT DOCUMENTS

| | | | | |
|------------|--------|----------------|-------|---------|
| D. 308,503 | 6/1990 | Goergen et al. | | D12/146 |
| D. 328,583 | 8/1992 | Graas et al. | | D12/147 |
| D. 329,032 | 9/1992 | Maxwell et al. | | D12/147 |

1 Claim, 4 Drawing Sheets

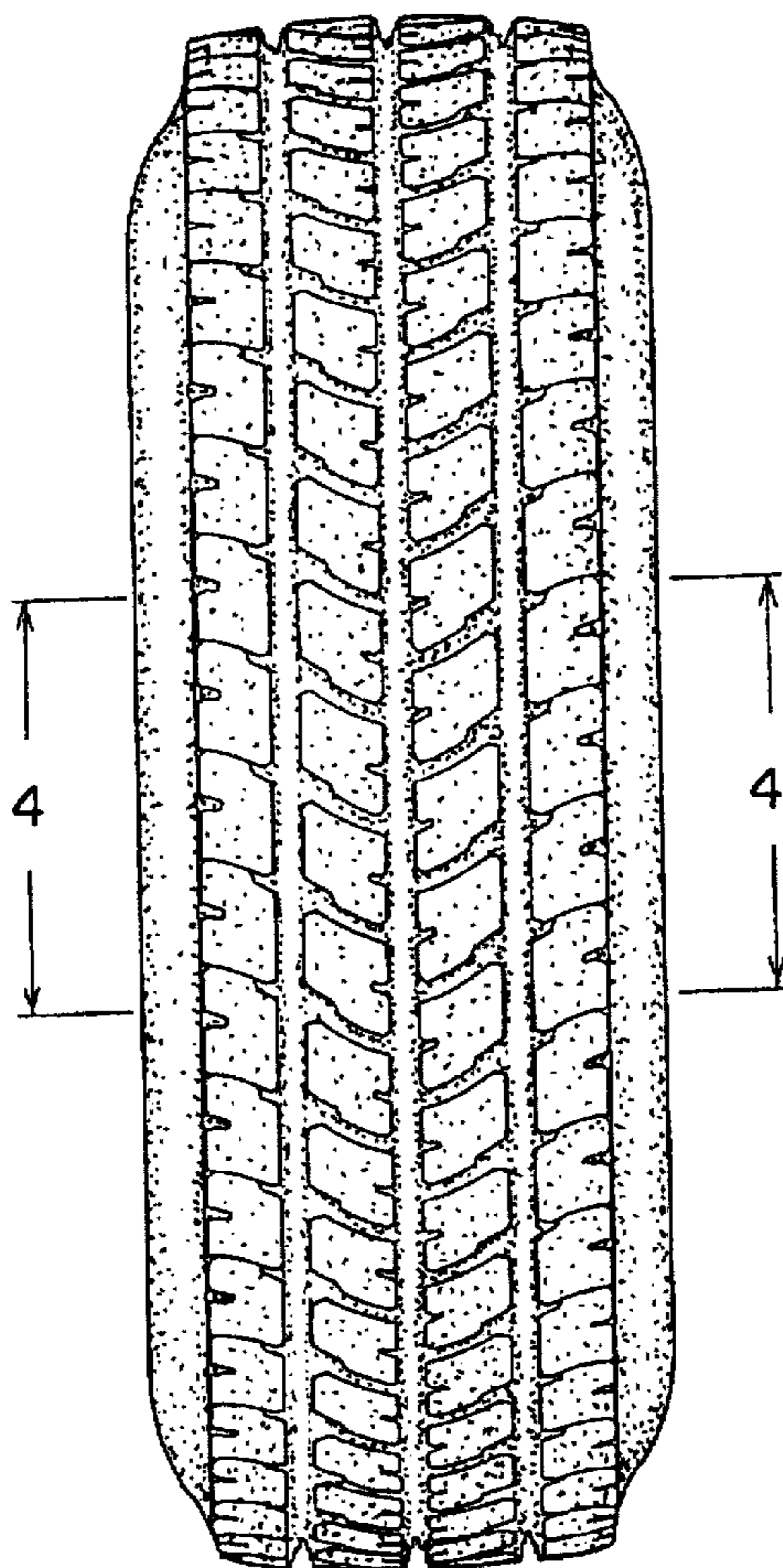


FIG. 1

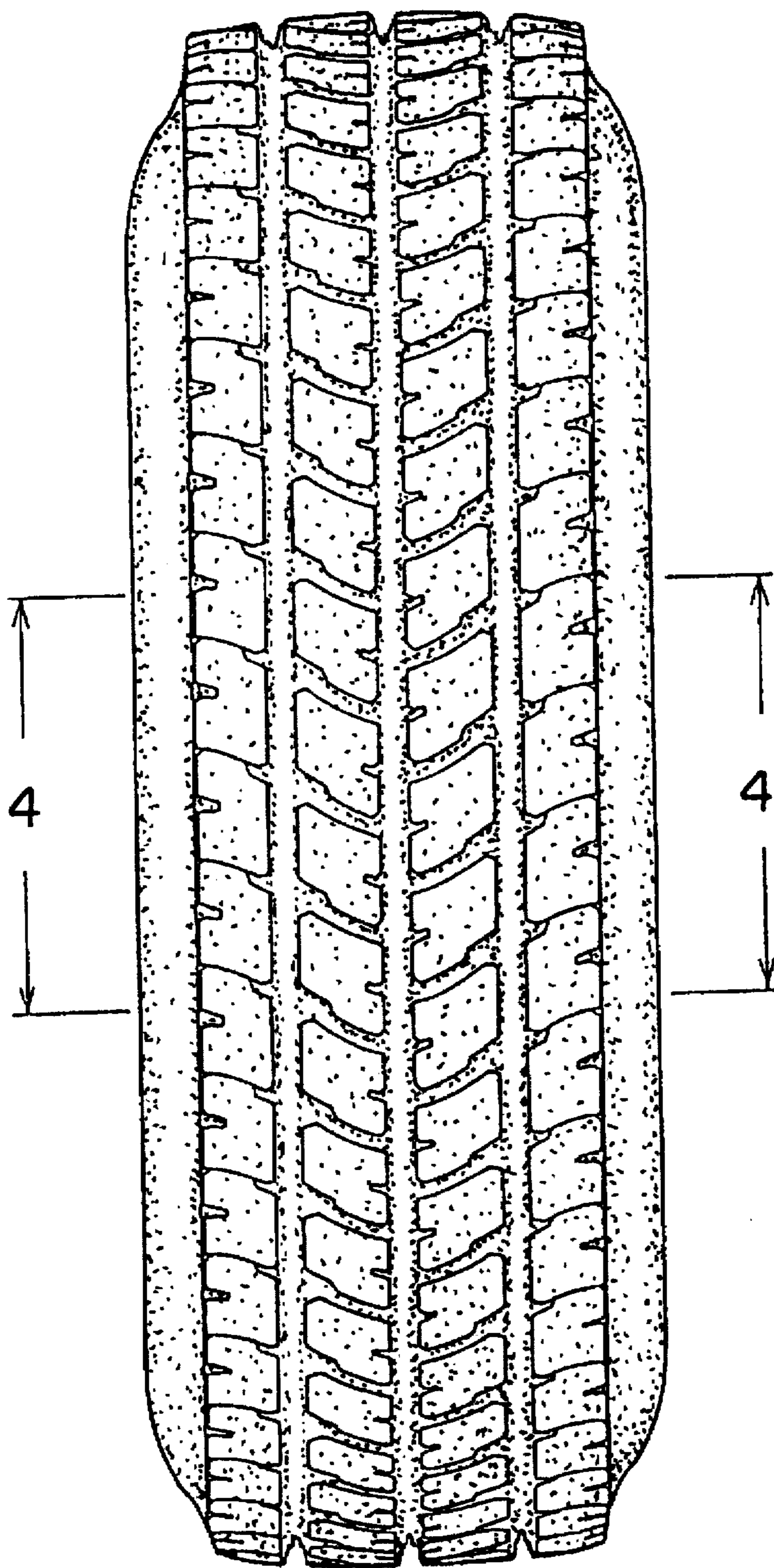


FIG. 2

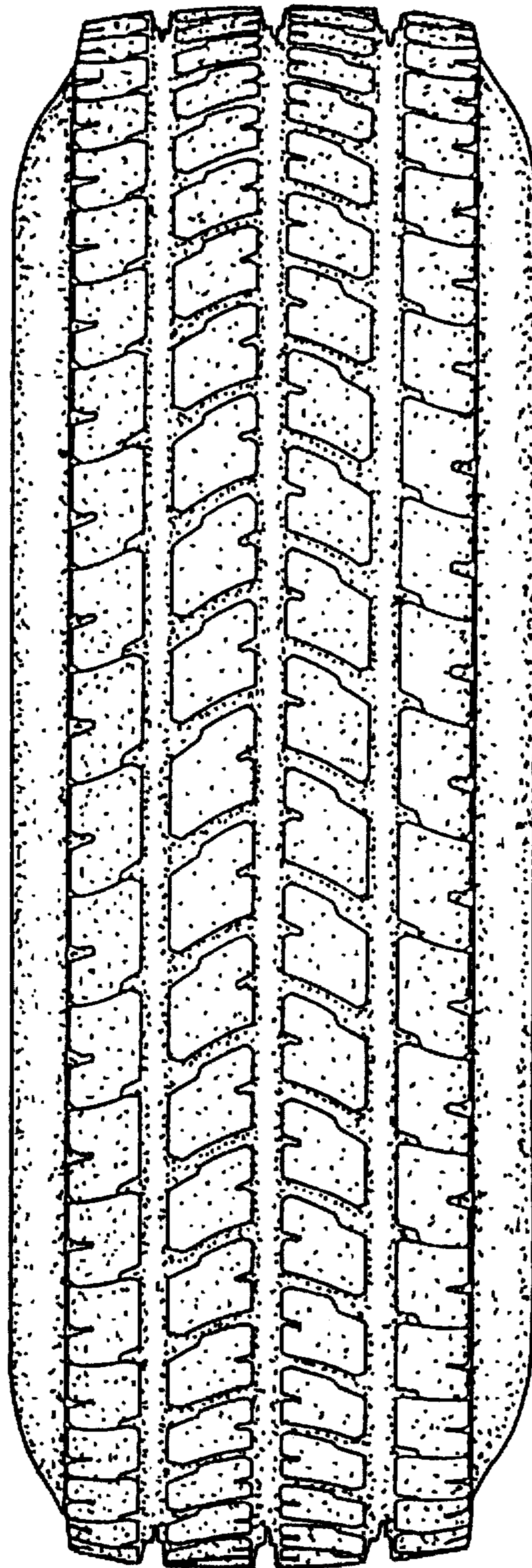


FIG. 3

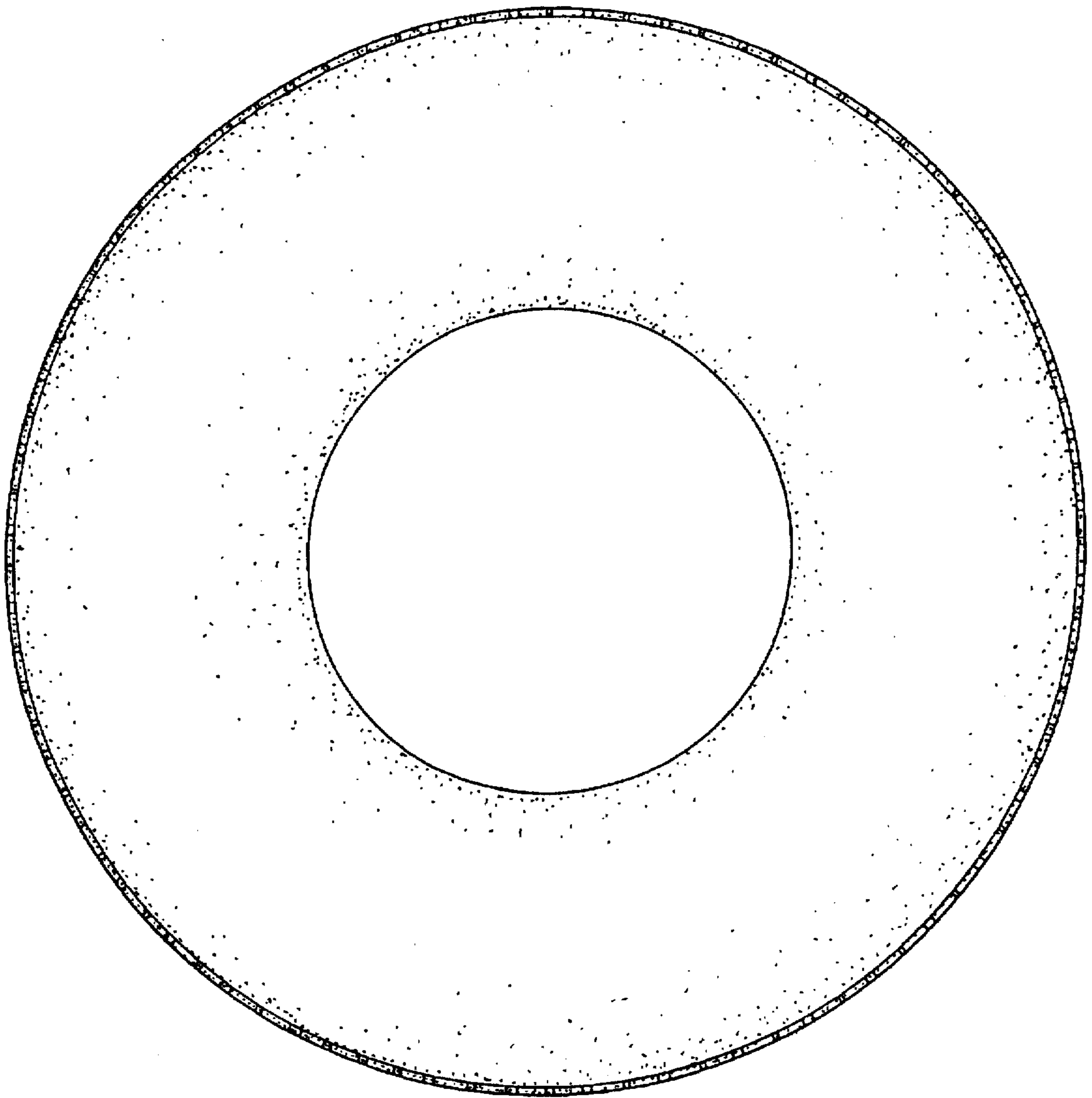


FIG. 4

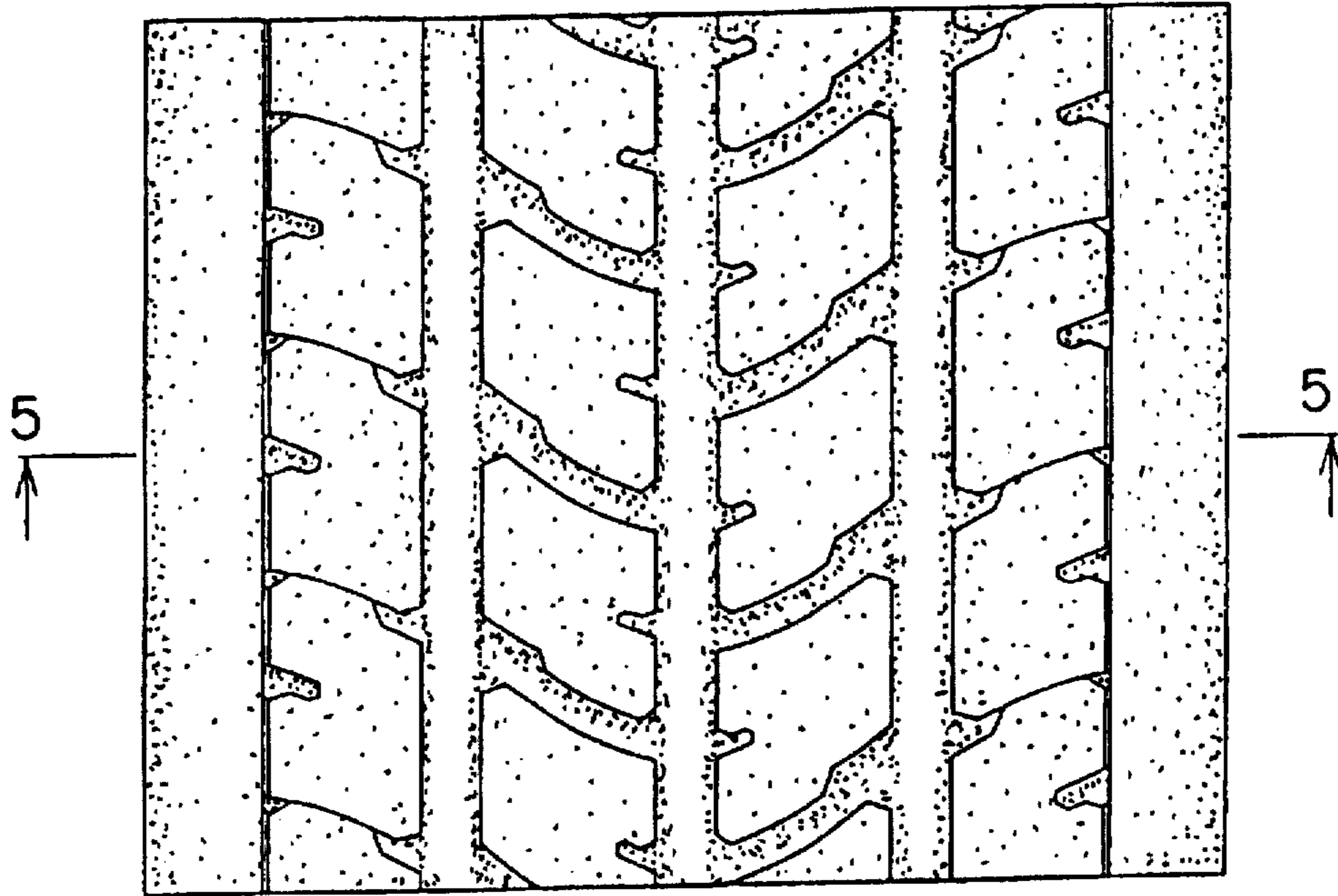


FIG. 5

