



US00D384307S

United States Patent [19]

Fisher

[11] Patent Number: **Des. 384,307**

[45] Date of Patent: ****Sep. 30, 1997**

[54] BICYCLE FRAME

[75] Inventor: **Gary Fisher**, San Anselmo, Calif.

[73] Assignee: **Trek Bicycle Corporation**, Waterloo, Wis.

[**] Term: **14 Years**

[21] Appl. No.: **56,626**

[22] Filed: **Jul. 3, 1996**

[51] LOC (6) Cl. **12-11**

[52] U.S. Cl. **D12/111**

[58] Field of Search **D12/111; 280/281.1, 280/288.1-288.3**

[56] References Cited

U.S. PATENT DOCUMENTS

D. 311,508	10/1990	Rieger	D12/111
D. 329,625	9/1992	Muller et al.	D12/111
D. 331,898	12/1992	Muller et al.	D12/111
D. 343,147	1/1994	Cognata et al.	D12/111
D. 357,651	4/1995	Issac et al.	D12/111
D. 368,678	4/1996	Wilcox et al.	D12/111
5,255,932	10/1993	Moore	280/288.3

OTHER PUBLICATIONS

BMX Plus! magazine; vol. 18, No. 10; Editor: Mike Daily; Oct. '95; pp. 25 and 27.

GT BMX speed shop brochure; Publisher: GT Bicycles Inc.; 1995/96.

Powerlite 96 brochure; Powerlite Industries Inc.; 1995-1996.

Robinson racing brochure; Robinson Racing Products; 1995-1996.

Primary Examiner—Melody N. Brown

Attorney, Agent, or Firm—Nilles & Nilles

[57] CLAIM

The ornamental design for a bicycle frame, as shown and described.

DESCRIPTION

FIG. 1 is a perspective view of a bicycle frame showing my new design;

FIG. 2 is a side view of the bicycle frame;

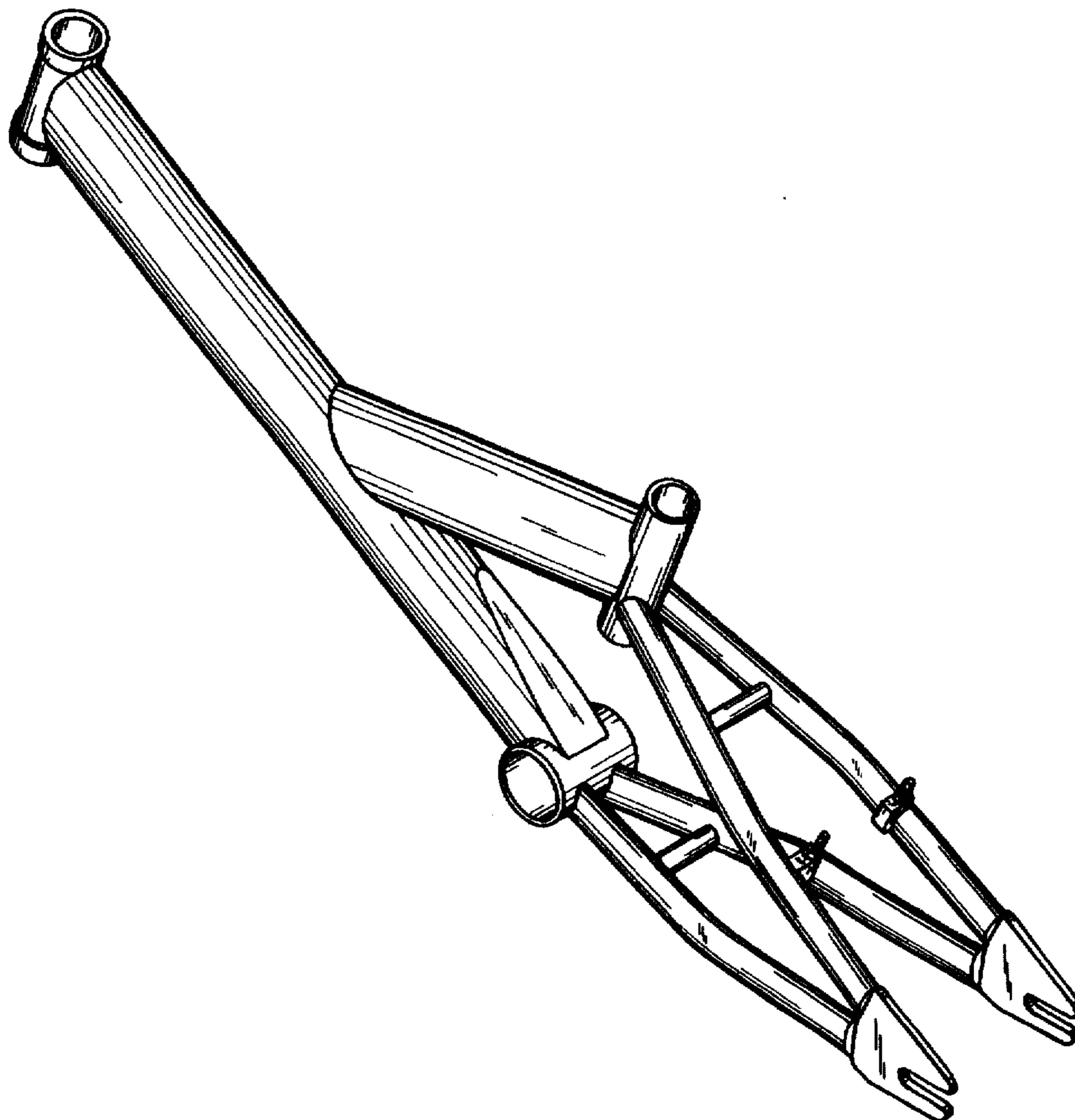
FIG. 3 is a top view of the bicycle frame shown in FIG. 2;

FIG. 4 is a bottom view of the bicycle frame;

FIG. 5 is a front view of the bicycle frame; and,

FIG. 6 is a rear view of the bicycle frame.

1 Claim, 4 Drawing Sheets



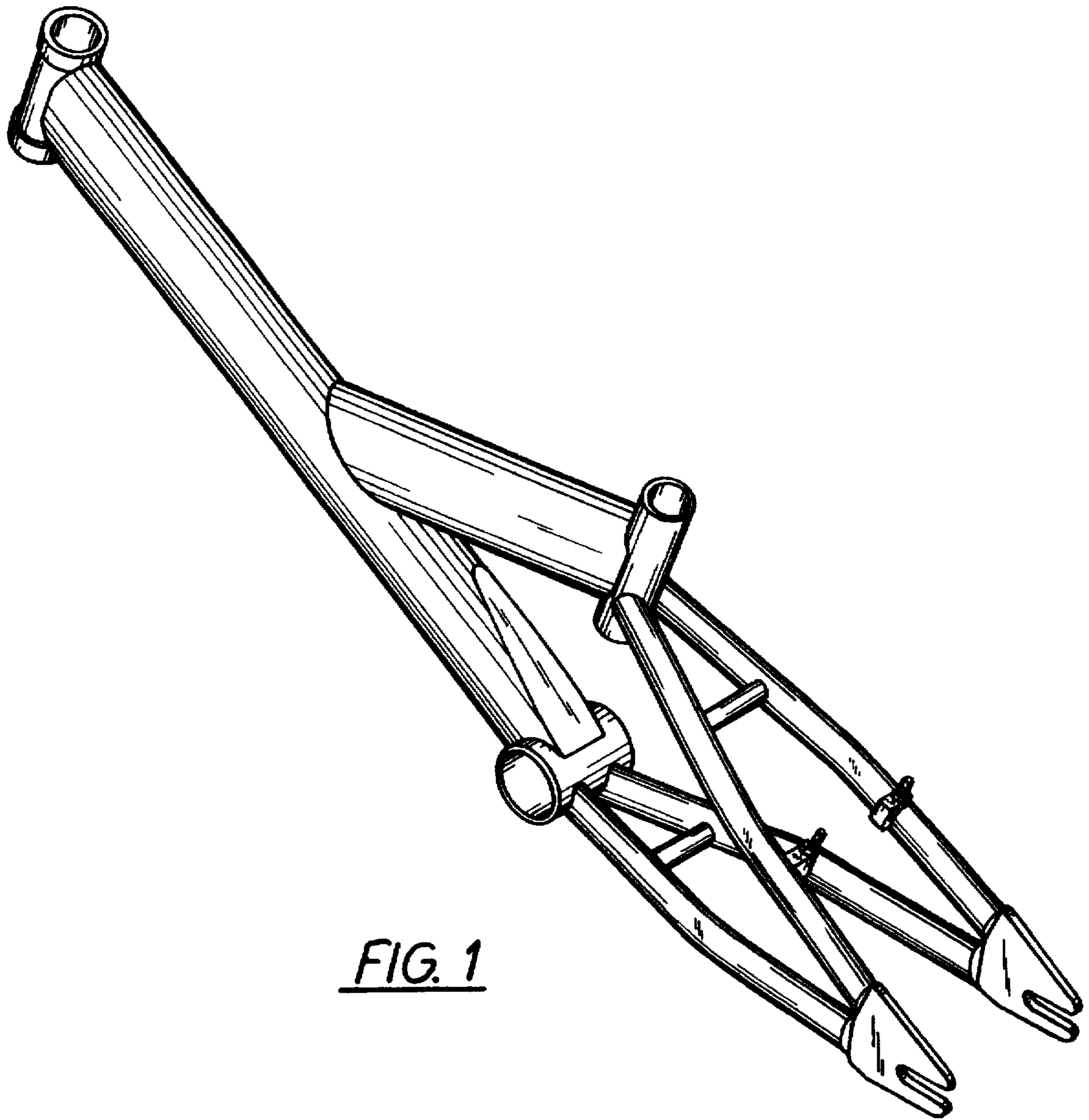


FIG. 1

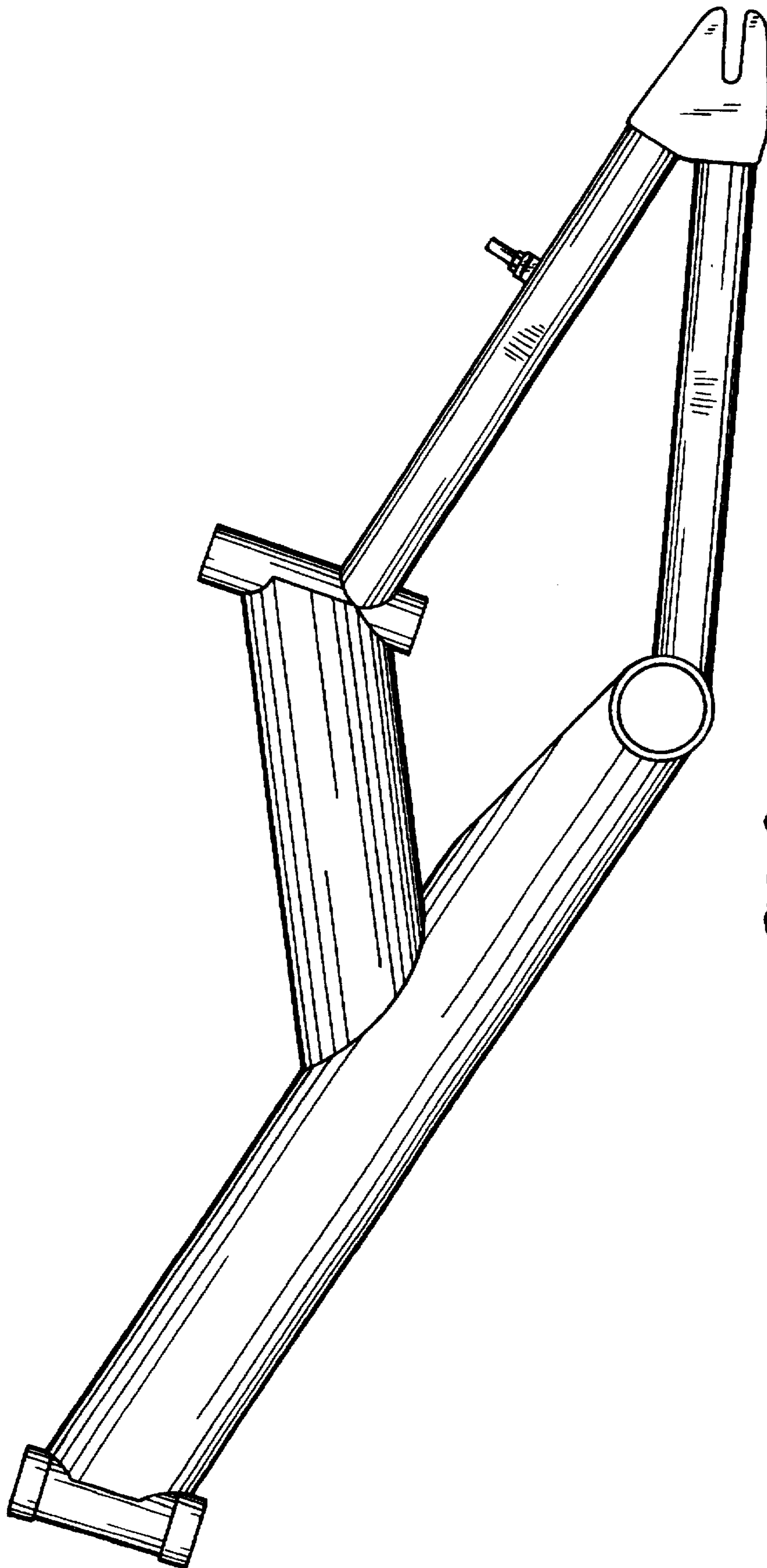


FIG. 2

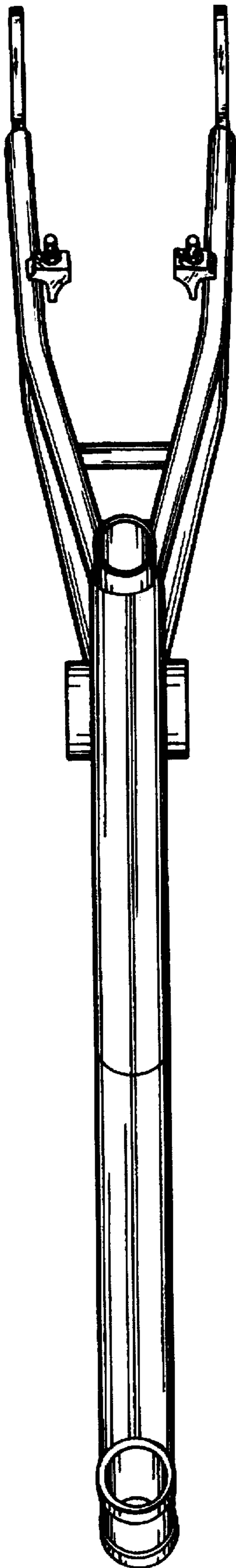


FIG. 3

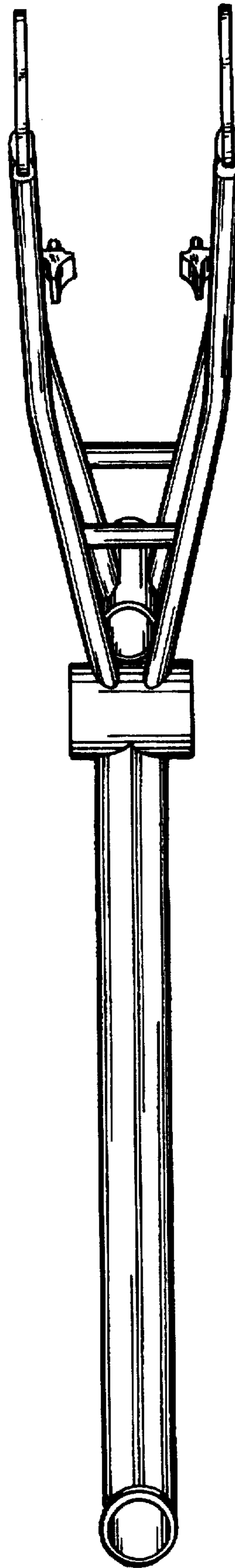


FIG. 4

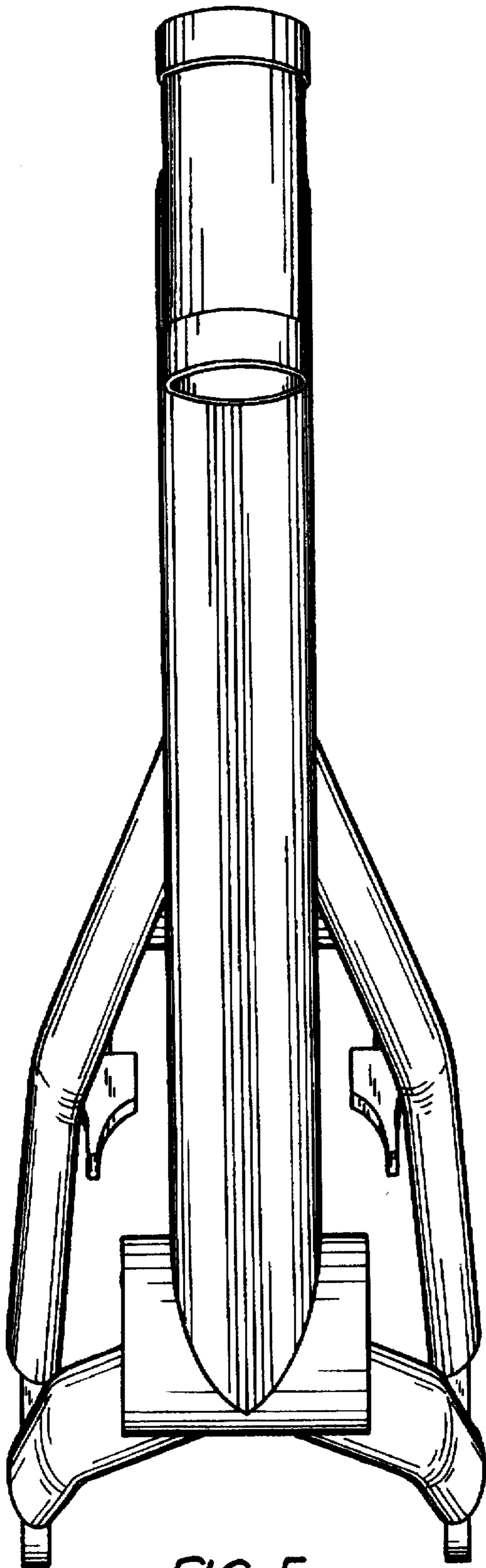


FIG. 5

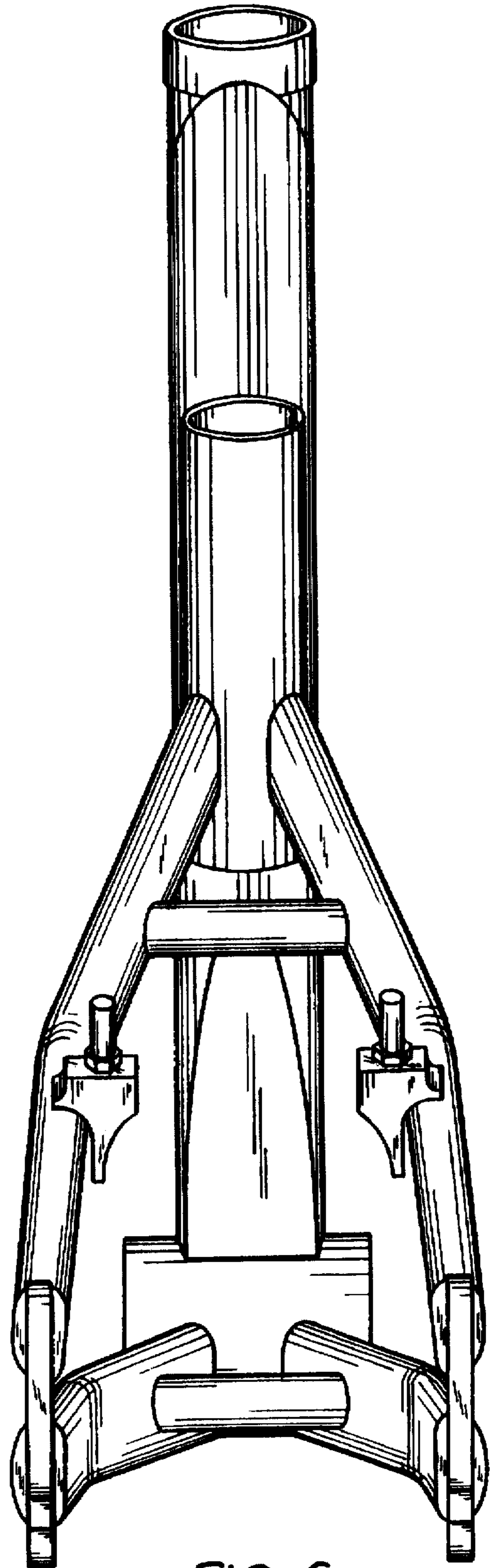


FIG. 6