



US00D384305S

# United States Patent [19] Cox

[11] Patent Number: Des. 384,305  
[45] Date of Patent: \*\*Sep. 30, 1997

## [54] PLANT DISPLAY SYSTEM

[75] Inventor: Gary D. Cox, Joplin, Mo.

[73] Assignee: Southwestern Products, Inc., Joplin, Mo.

[\*\*] Term: 14 Years

[21] Appl. No.: 50,447

[22] Filed: Feb. 20, 1996

[51] LOC (6) Cl. .... 11-02

[52] U.S. Cl. .... D11/153; D11/143

[58] Field of Search ..... D6/403, 556; D11/143, D11/144, 152-155; D25/131; 47/33, 66, 70, 82, 83, 39, 41.01, 41.11, 41.14, 44, 47, 80; 206/423; 248/27.8, 121, 126, 127, 146, 156

## [56] References Cited

### U.S. PATENT DOCUMENTS

D. 9,502	9/1876	Tuthill	.....	D11/153
D. 188,468	7/1960	Sorrentino	.....	D25/131 X
D. 218,056	7/1970	Urrutia	.....	D11/153
D. 221,970	9/1971	Kelly	.....	D6/403
D. 221,971	9/1971	Terrell	.....	D11/153
D. 242,753	12/1976	Christen, Jr.	.....	D6/403
672,625	4/1901	Mullenix et al.	.....	52/156
2,484,263	10/1949	Atkinson	.....	47/41.01 X
2,720,056	10/1955	Levy	.....	47/41.01
2,803,923	8/1957	Pratt	.....	47/83
3,030,735	4/1962	Bodkins	.....	47/39
3,165,863	1/1965	Duran	.....	47/70 X
3,293,798	12/1966	Johnson	.....	47/83
3,554,473	1/1971	Rakov et al.	.....	248/519
3,685,204	8/1972	O'Harra	.....	47/47
4,006,559	2/1977	Carlyon, Jr.	.....	47/39
4,074,461	2/1978	Hirschman	.....	47/70

4,173,098	11/1979	Smith	.....	47/80
4,250,666	2/1981	Rakestraw	.....	47/83
4,379,372	4/1983	Alexander et al.	.....	40/645
4,584,792	4/1986	Etzel	.....	47/70
5,450,692	9/1995	Ruibal	.....	D11/143 X

### FOREIGN PATENT DOCUMENTS

2519513	7/1983	France	.
2323763	5/1973	Germany	.

### OTHER PUBLICATIONS

Page from Garden Center Products & Supplies, Oct. 1995, showing ad for Rubial's Topiary Systems.

Page 72 from Garden Center Products & Supplies, Oct. 1995, showing ad for Rubial's Topiary Systems.

Primary Examiner—Caron D. Veynar

Attorney, Agent, or Firm—Hovey, Williams, Timmons & Collins

## [57] CLAIM

The ornamental design for a plant display system, as shown and described.

## DESCRIPTION

FIG. 1 is a perspective view of a first embodiment of a plant display system showing my new design;

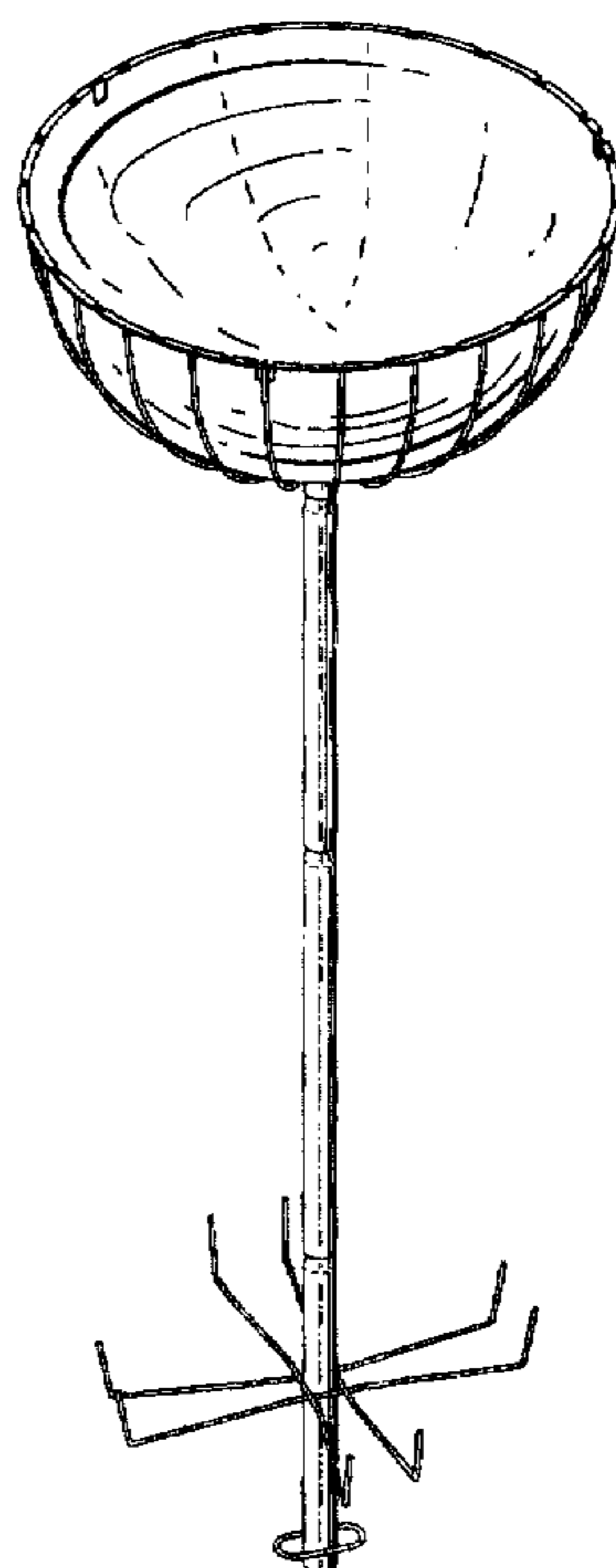
FIG. 2 is a side elevational view thereof, the opposite side view being a mirror image thereof, the broken line showing of a planter is for illustrative purposes only and forms no part of the claimed design;

FIG. 3 is a top plan view thereof;

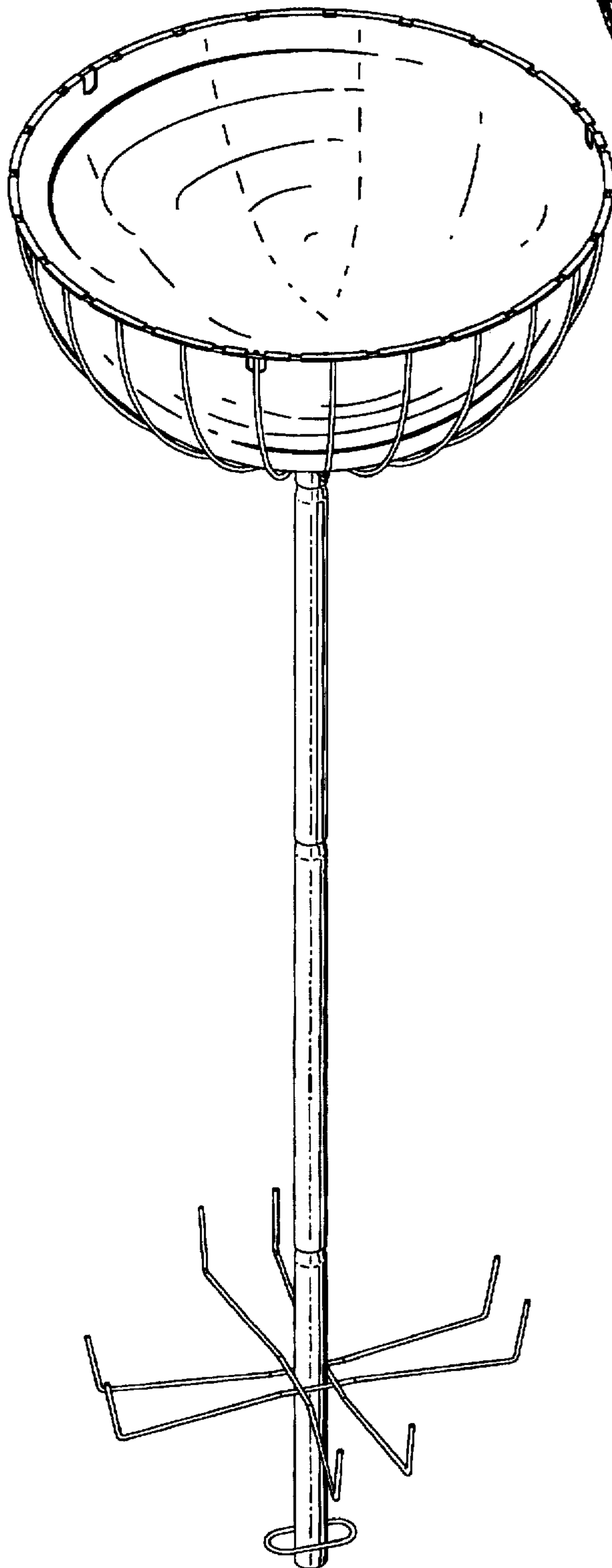
FIG. 4 is a side elevational view showing a second embodiment of my new design for a plant display system which is similar to the embodiment shown in FIG. 1-3 but does not include a basket liner; and,

FIG. 5 is a top plan view thereof.

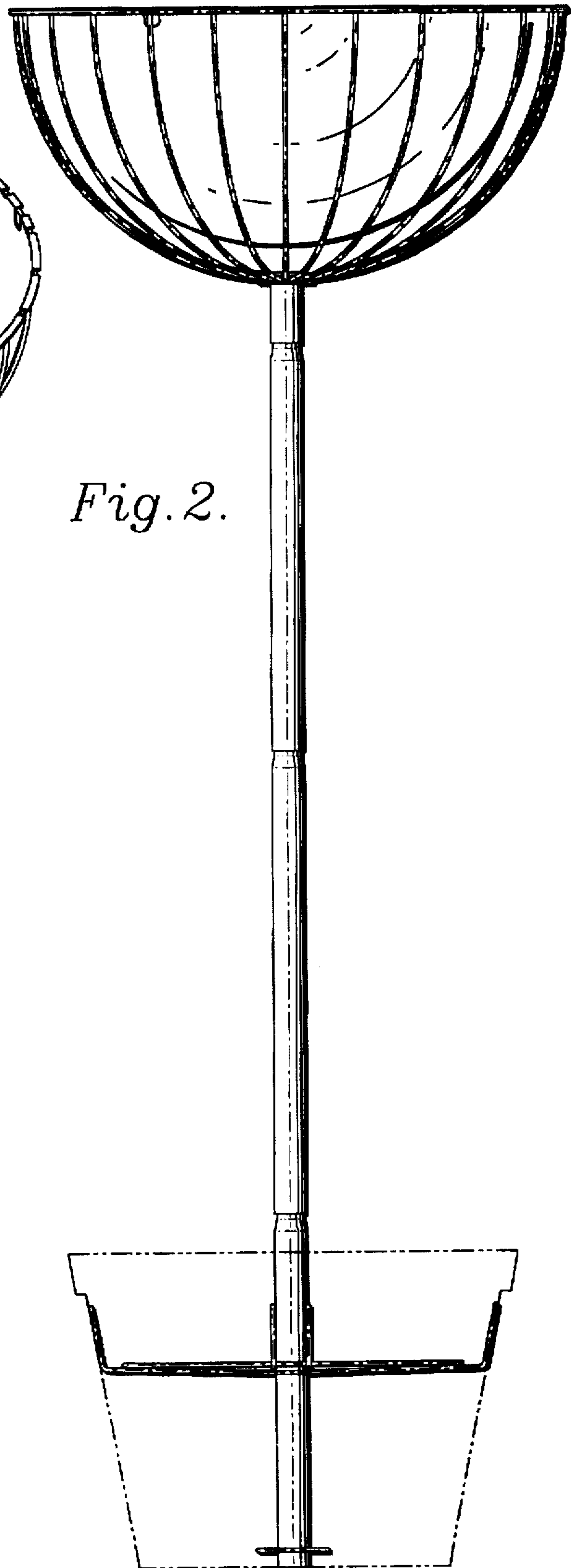
1 Claim, 2 Drawing Sheets

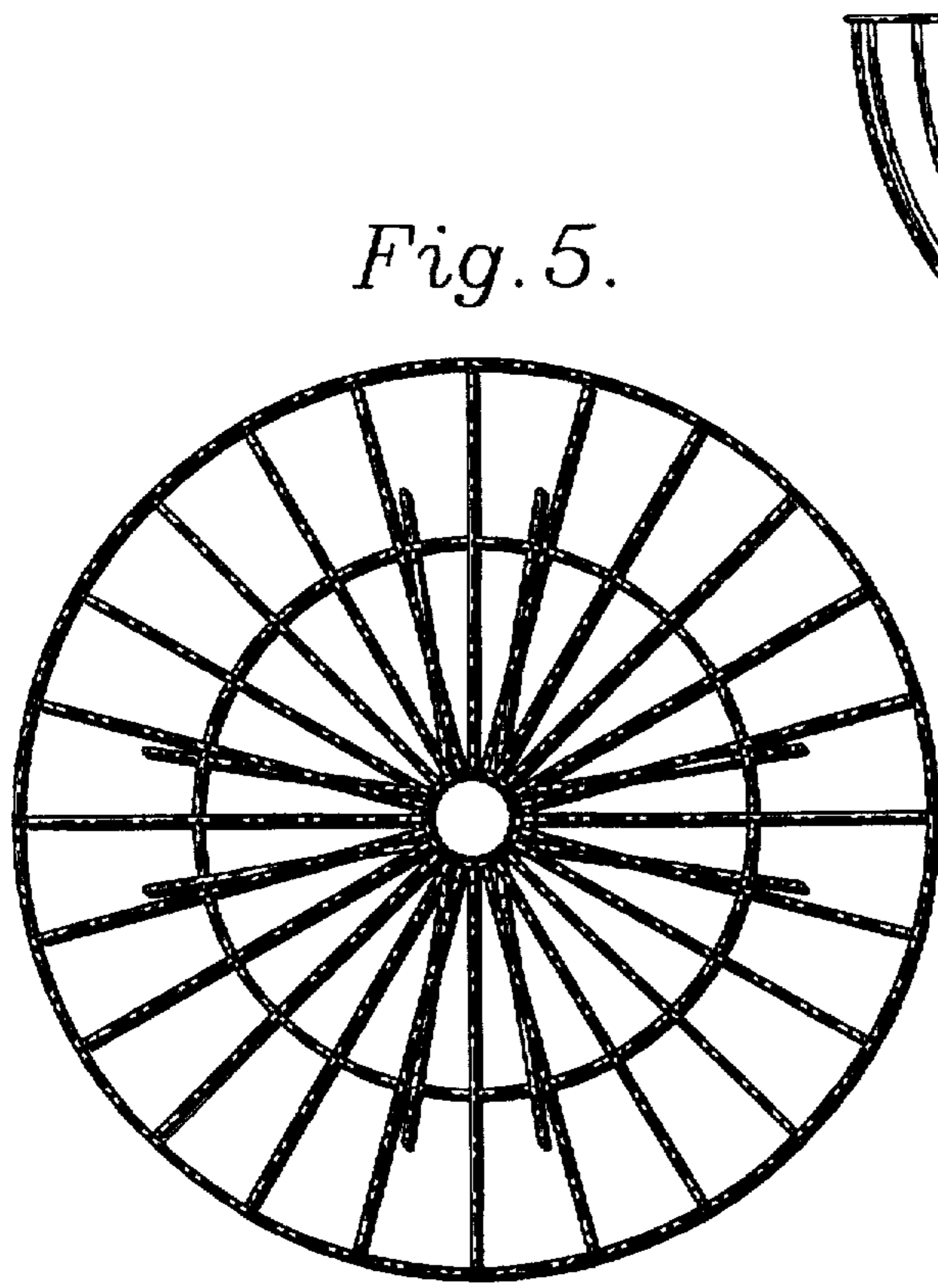


*Fig. 1.*

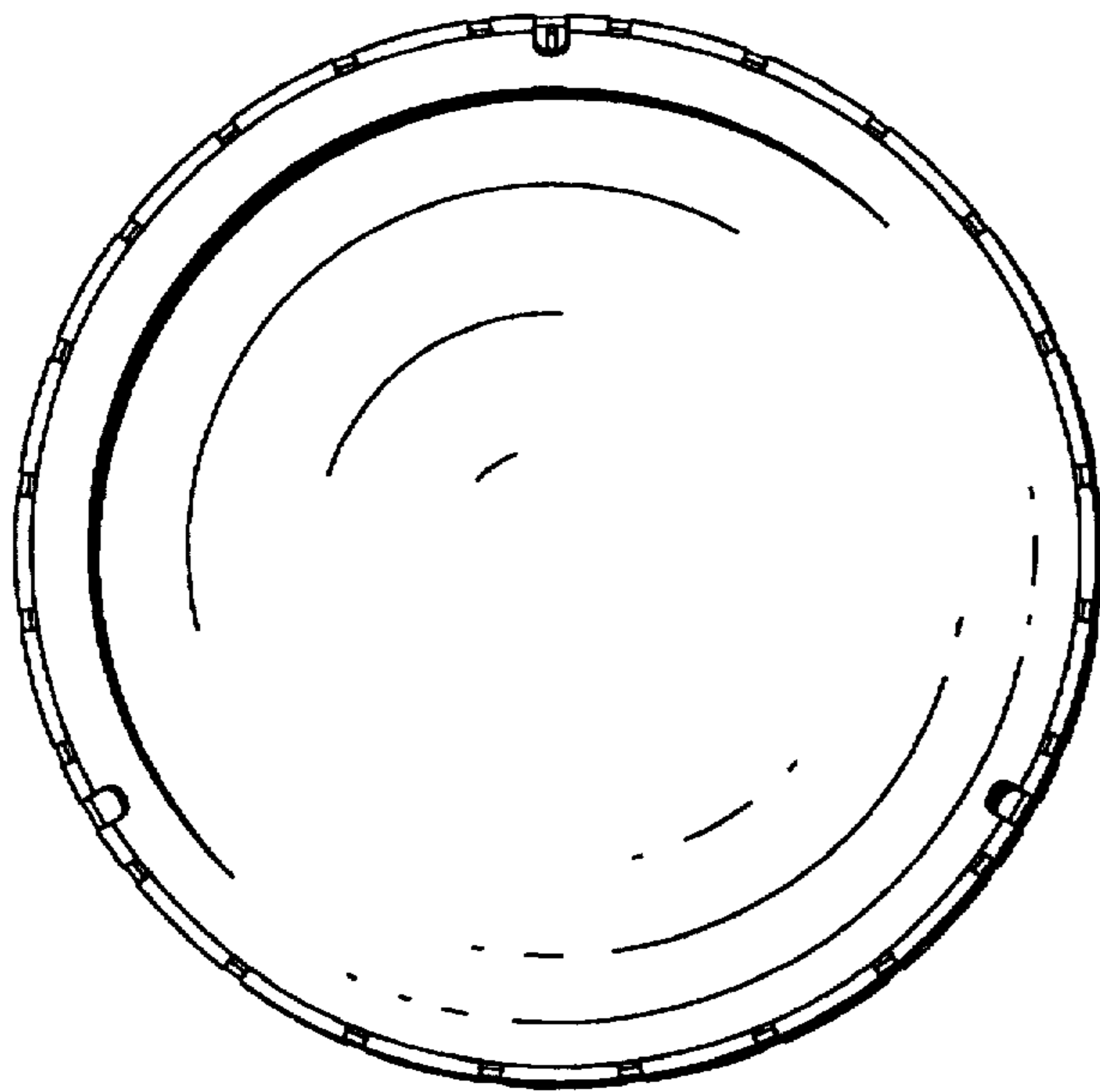


*Fig. 2.*

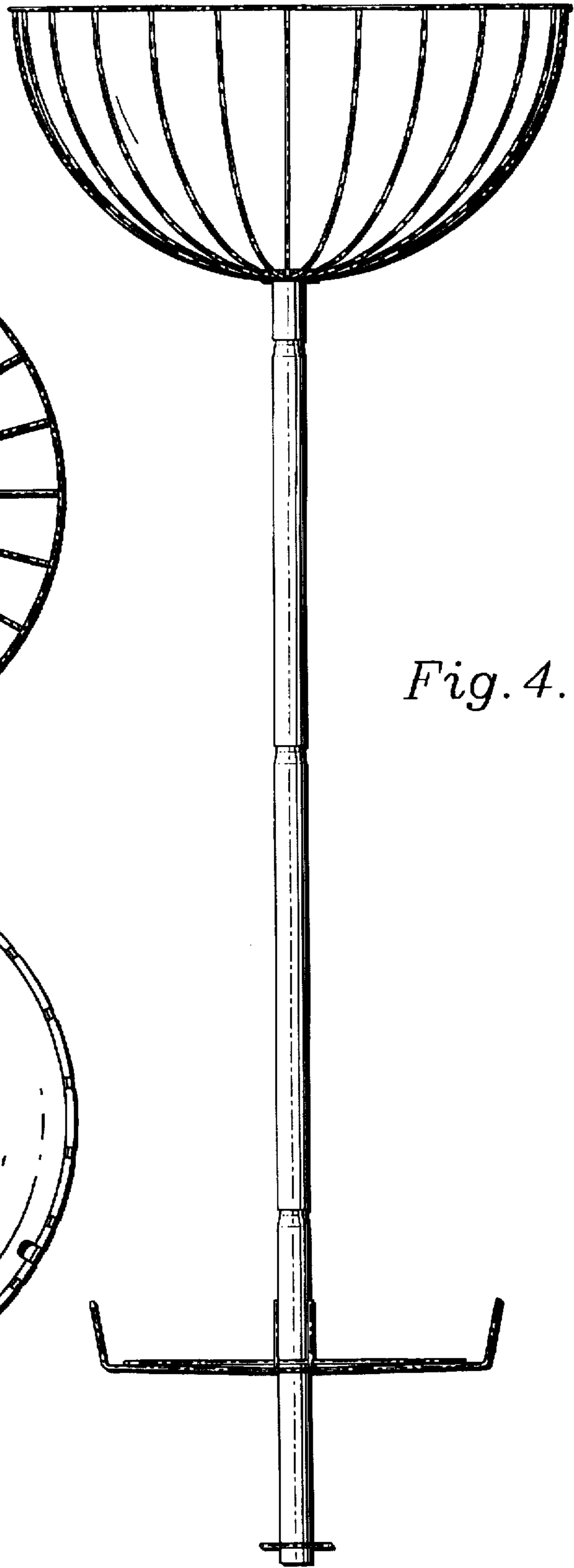




*Fig. 5.*



*Fig. 3.*



*Fig. 4.*