

US00D384302S

United States Patent [19]
Reil

[11] **Patent Number:** **Des. 384,302**
[45] **Date of Patent:** ****Sep. 30, 1997**

[54] **SLOPED EAR STUD**
[76] **Inventor:** **Vladimir Reil, 32450 Nautilus Dr.,
Rancho Palos Verdes, Calif. 90274**
[**] **Term:** **14 Years**
[21] **Appl. No.:** **56,065**
[22] **Filed:** **Jun. 21, 1996**
[51] **LOC (6) Cl.** **11-01**
[52] **U.S. Cl.** **D11/86**
[58] **Field of Search** **D11/1, 2, 86-88,
D11/200, 202, 76; D24/146; 128/330, 329 R,
305; 62/12; 119/156; 40/301; 606/188**

4,459,829 7/1984 Richard et al. 63/12
4,527,563 7/1985 Reil 128/329 R
4,580,417 4/1986 Sardelli 62/12
4,644,952 2/1987 Patipa et al. 128/305
4,741,117 5/1988 Fearing 40/301
4,860,747 8/1989 Sciara 128/330
4,931,060 6/1990 Aué 606/188
4,986,829 1/1991 Blomdahl 606/188
5,004,470 4/1991 Mann 606/188
5,004,471 4/1991 Mann 606/188
5,007,918 4/1991 Mann 606/188
5,263,960 11/1993 Mann 606/188
5,350,394 9/1994 Mann 606/188
5,360,434 11/1994 Mann 606/188
5,389,105 2/1995 Mann 606/188
5,411,516 5/1995 Thomas 606/188

[56] **References Cited**
U.S. PATENT DOCUMENTS

D. 252,867 9/1979 Mann D11/76
D. 273,473 4/1984 Carroll D11/86
D. 275,660 9/1984 Carroll D11/86
D. 347,895 6/1994 Mann D24/146
1,442,824 1/1923 Renault .
3,789,850 2/1974 Ford 63/12
3,941,134 3/1976 McDonald 128/330
3,943,935 3/1976 Cameron 128/330
4,009,718 3/1977 Hastings 128/330
4,020,848 5/1977 Diccico 128/330
4,030,507 6/1977 Mann 128/330
4,307,582 12/1981 Mancini 63/12
4,359,015 11/1982 Ritchey 119/156
4,383,002 5/1983 Manolescu 63/20

Primary Examiner—Ralf Seifert
Attorney, Agent, or Firm—Cislo & Thomas LLP

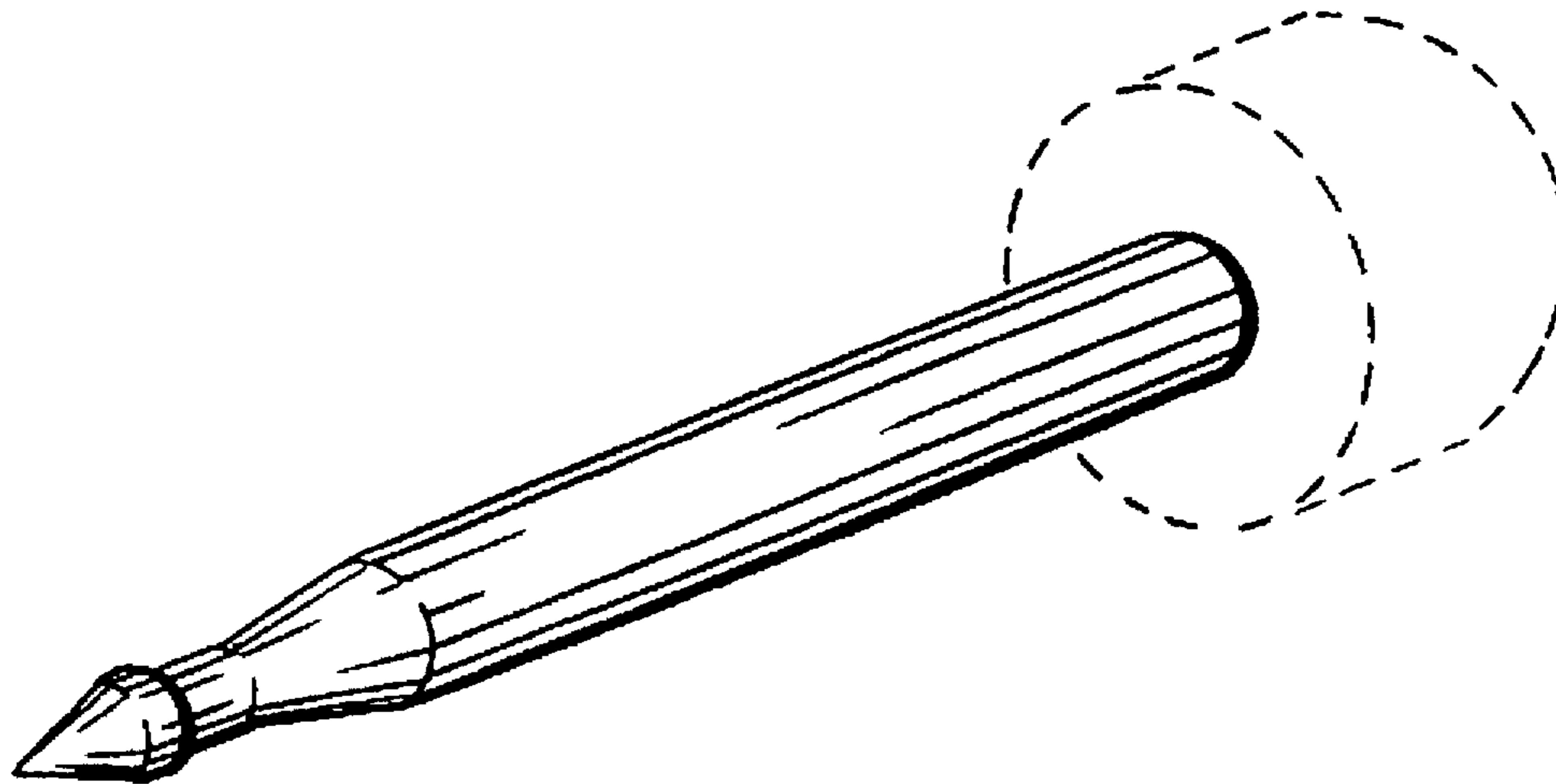
[57] **CLAIM**

The ornamental design for a sloped ear stud, as shown and described.

DESCRIPTION

FIG. 1 is a front perspective view of my sloped ear stud, the head of the stud being shown in phantom;
FIG. 2 is a right side view thereof, the top, bottom and left side views thereof being identical to the right side view;
FIG. 3 is a front view thereof;
FIG. 4 is a rear view thereof; and,
FIG. 5 is a rear perspective view thereof.

1 Claim, 1 Drawing Sheet



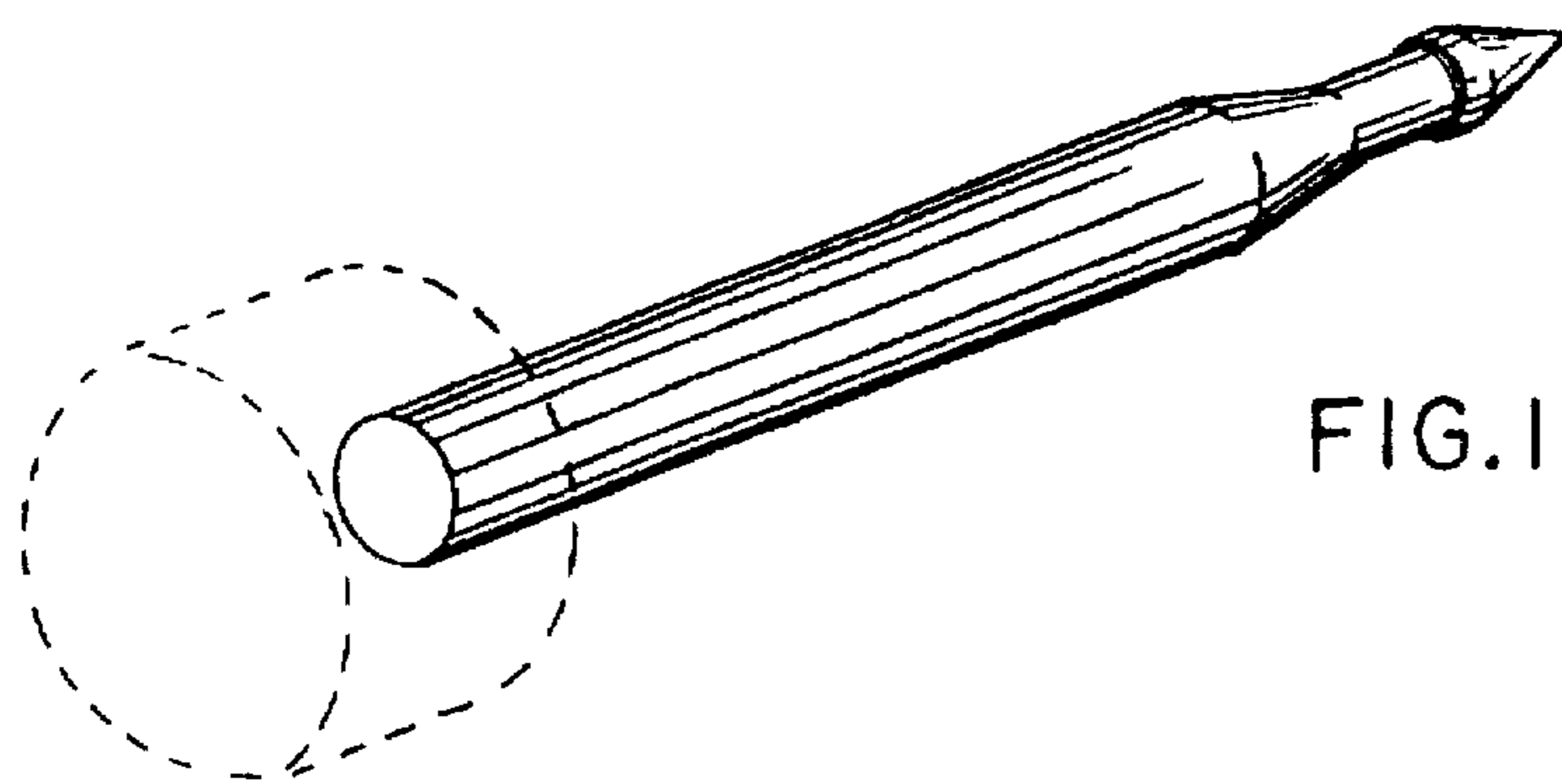


FIG. 1

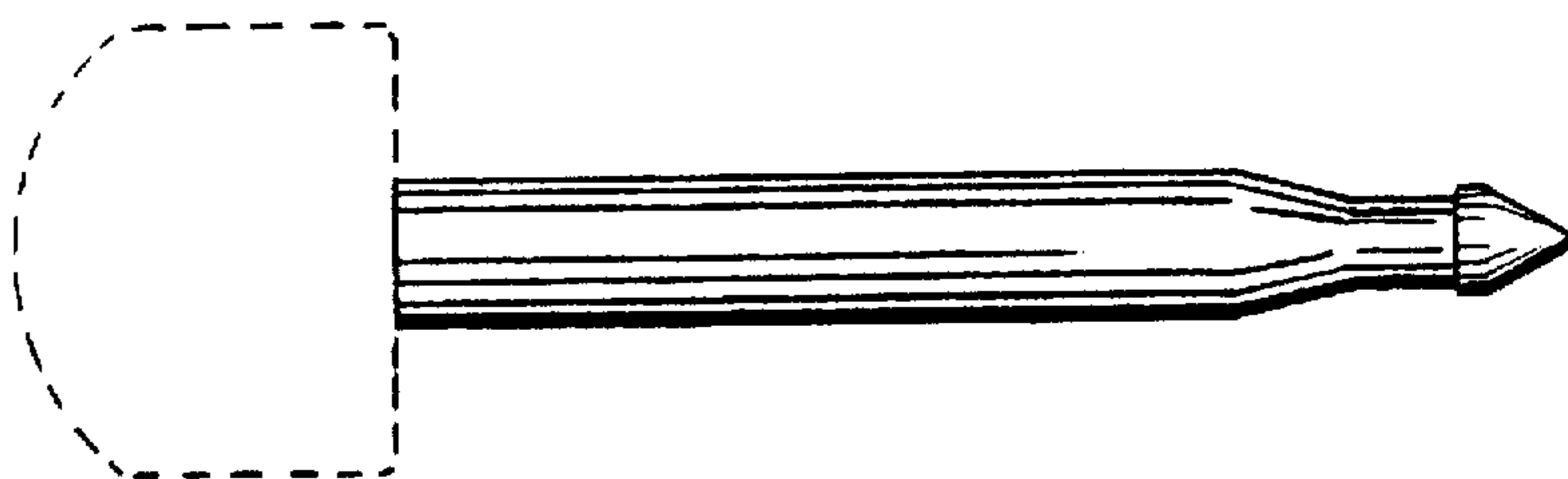


FIG. 2

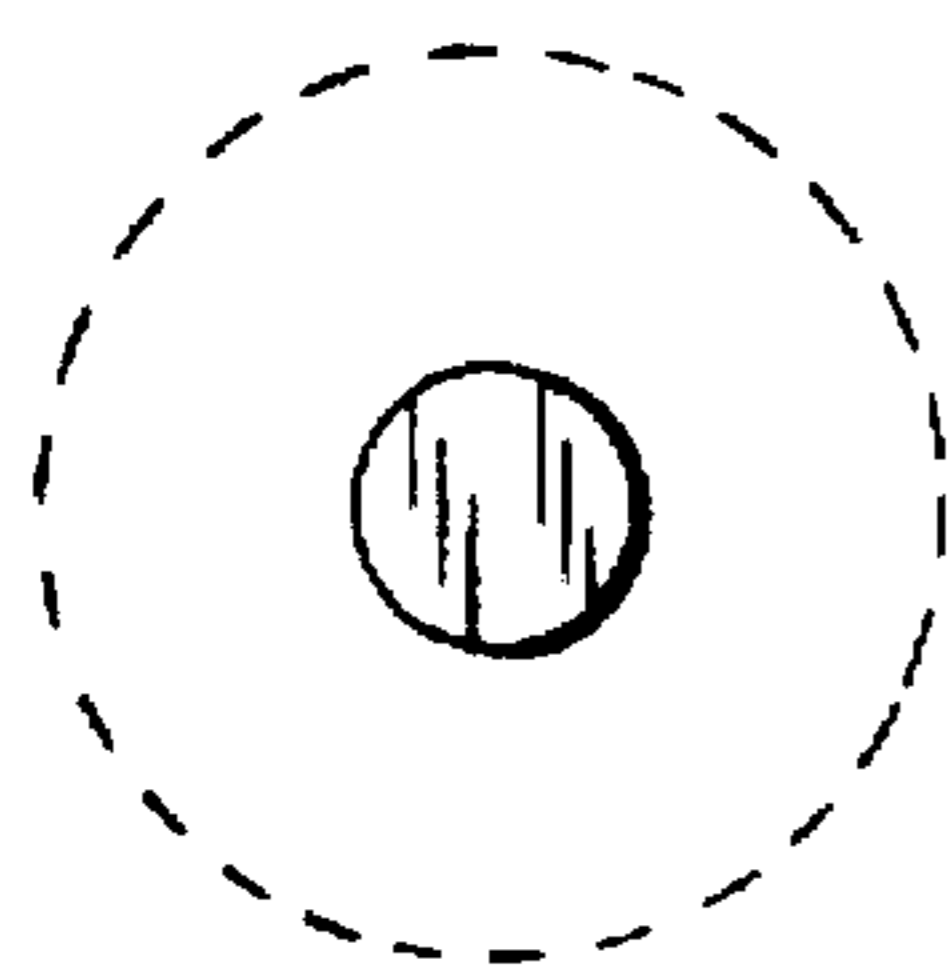


FIG. 3

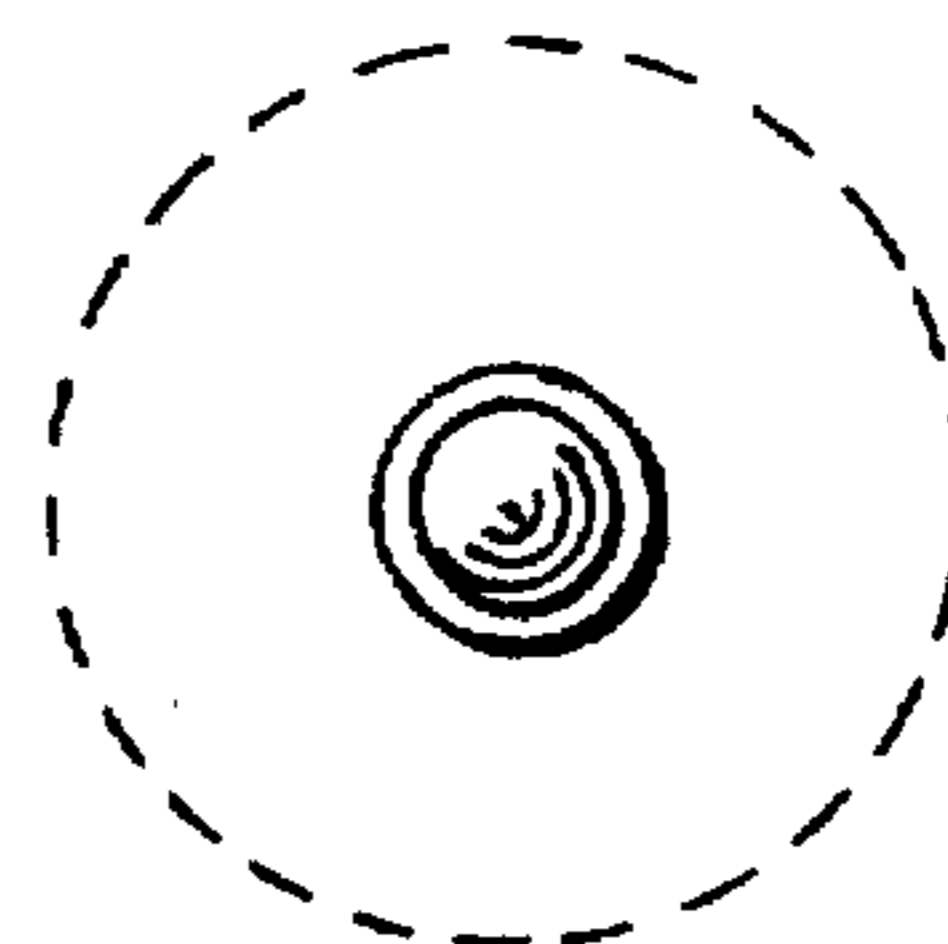


FIG. 4

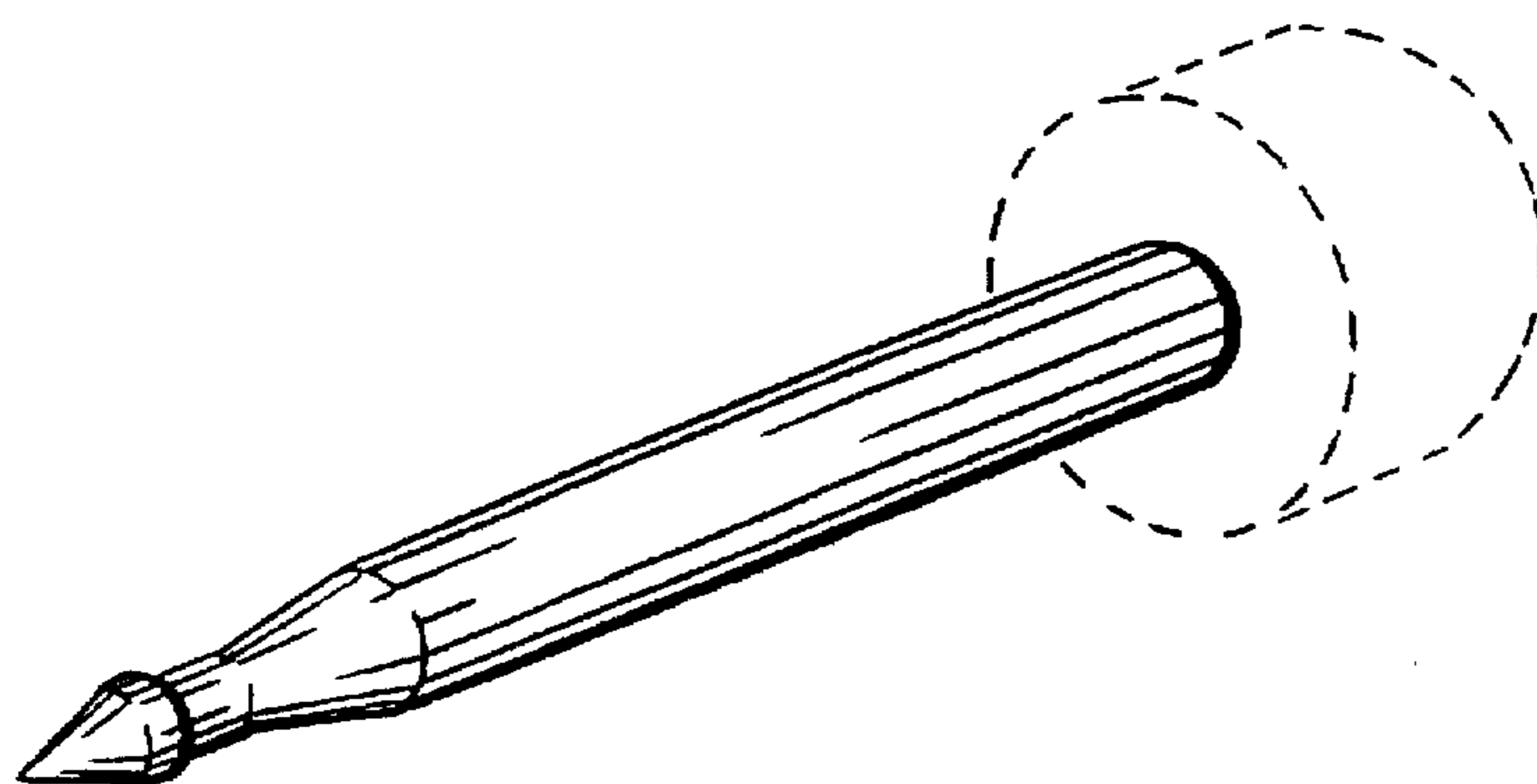


FIG. 5