



US00D384300S

United States Patent [19]
Hendy

[11] **Patent Number: Des. 384,300**
[45] **Date of Patent: **Sep. 30, 1997**

[54] **FIRE HYDRANT WATER METER**

[76] **Inventor: Arthur A. Hendy, P.O. Box 529,
Beaumont, Calif. 92223**

[**] **Term: 14 Years**

[21] **Appl. No.: 55,452**

[22] **Filed: Jun. 5, 1996**

[51] **LOC (6) Cl. 10-04**

[52] **U.S. Cl. D10/99; D10/96**

[58] **Field of Search D10/96, 99; 73/198,
73/201, 273; 285/30, 150; 137/272**

[56] **References Cited**

U.S. PATENT DOCUMENTS

5,567,875 10/1996 Adams 73/201

Primary Examiner—Antoine Duval Davis
Attorney, Agent, or Firm—Morland C. Fischer

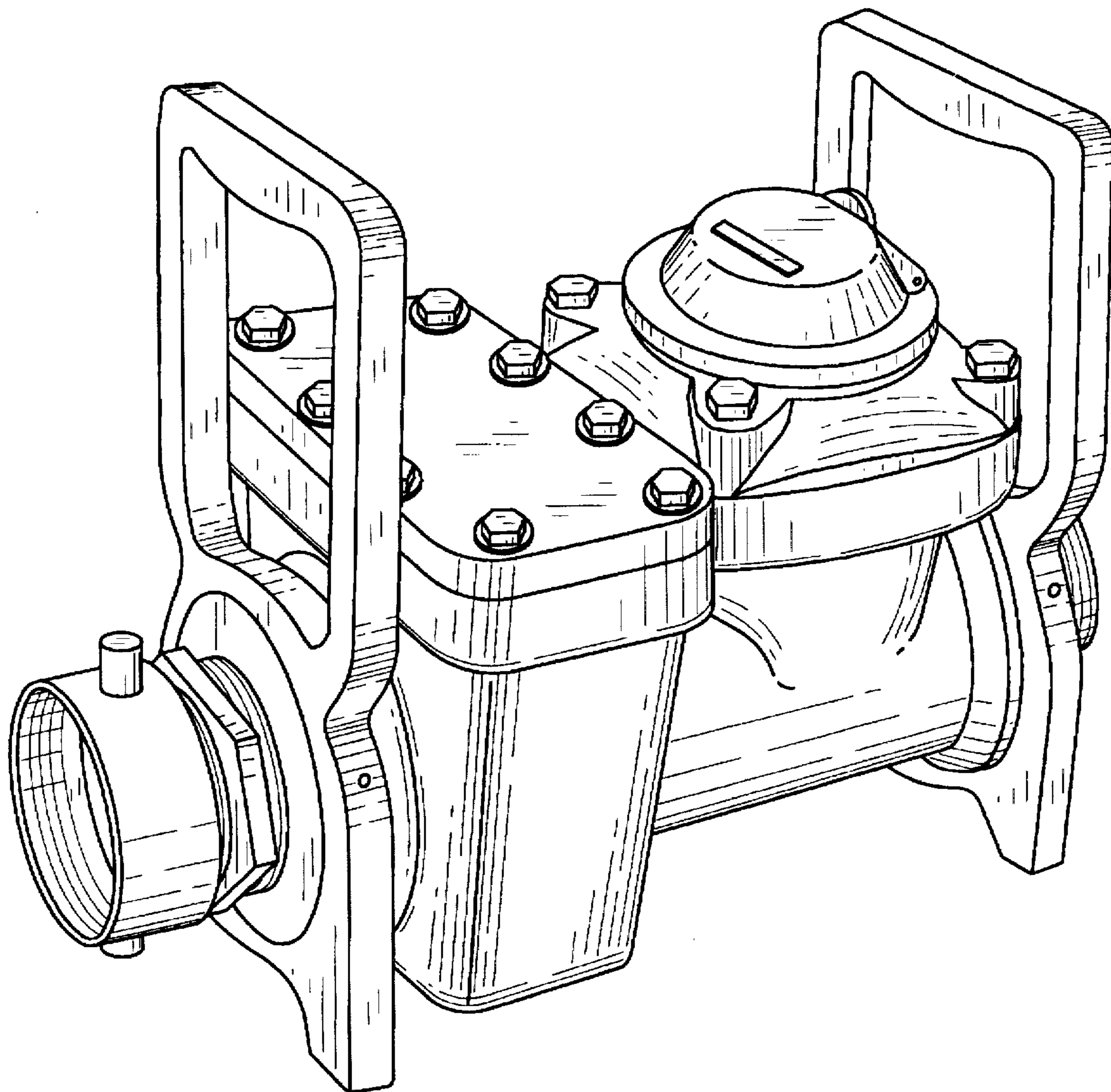
[57] **CLAIM**

The ornamental design for a fire hydrant water meter, as shown and described.

DESCRIPTION

FIG. 1 is a perspective view showing the front, top and left side of a fire hydrant water meter which forms my invention; FIG. 2 is a left side elevational view thereof; FIG. 3 is a right side elevational view thereof; FIG. 4 is a top plan view thereof; FIG. 5 is a front elevational view thereof, this view and the opposite rear elevational view being of identical design; and, FIG. 6 is a bottom plan view thereof.

1 Claim, 2 Drawing Sheets



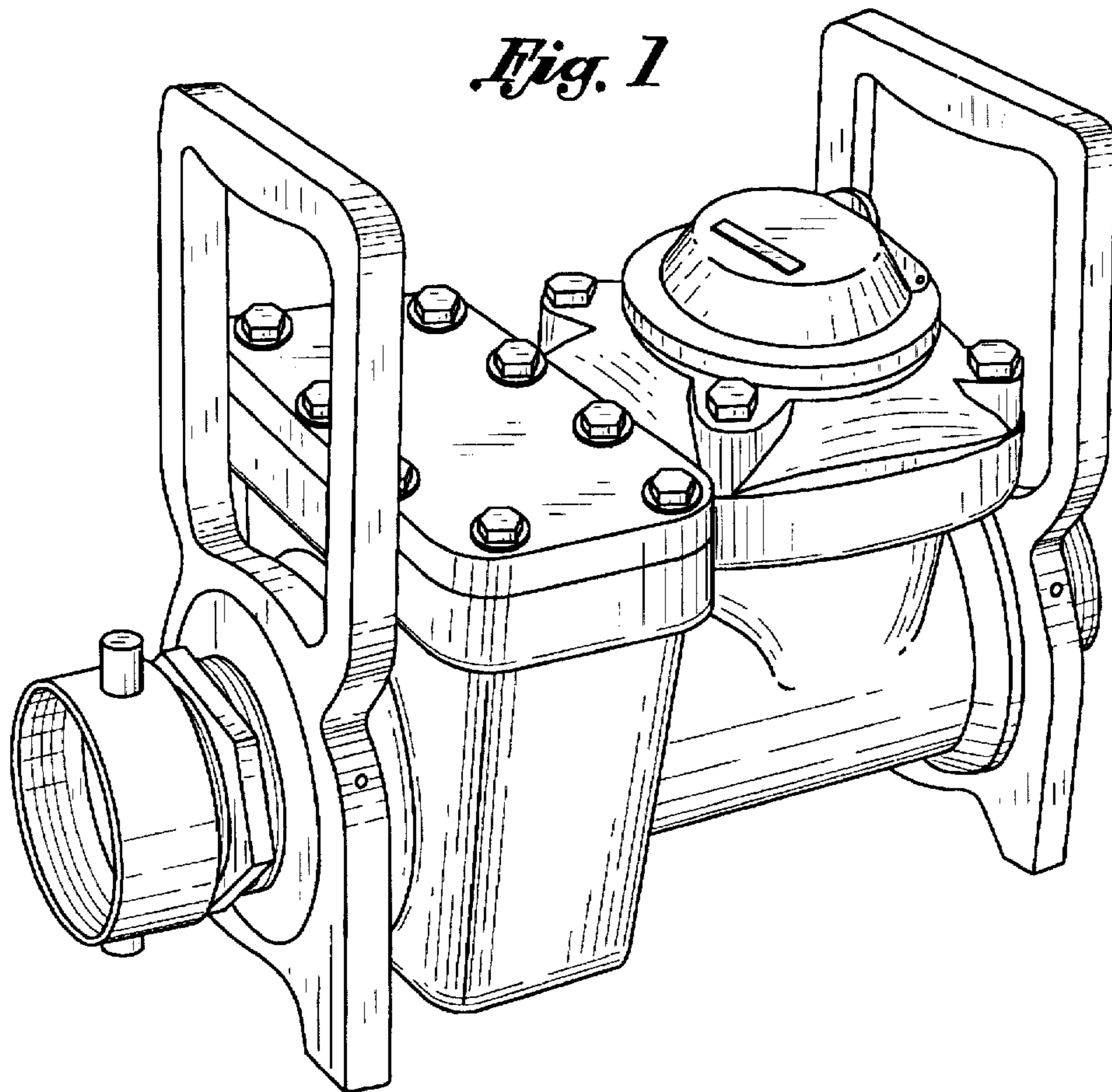


Fig. 2

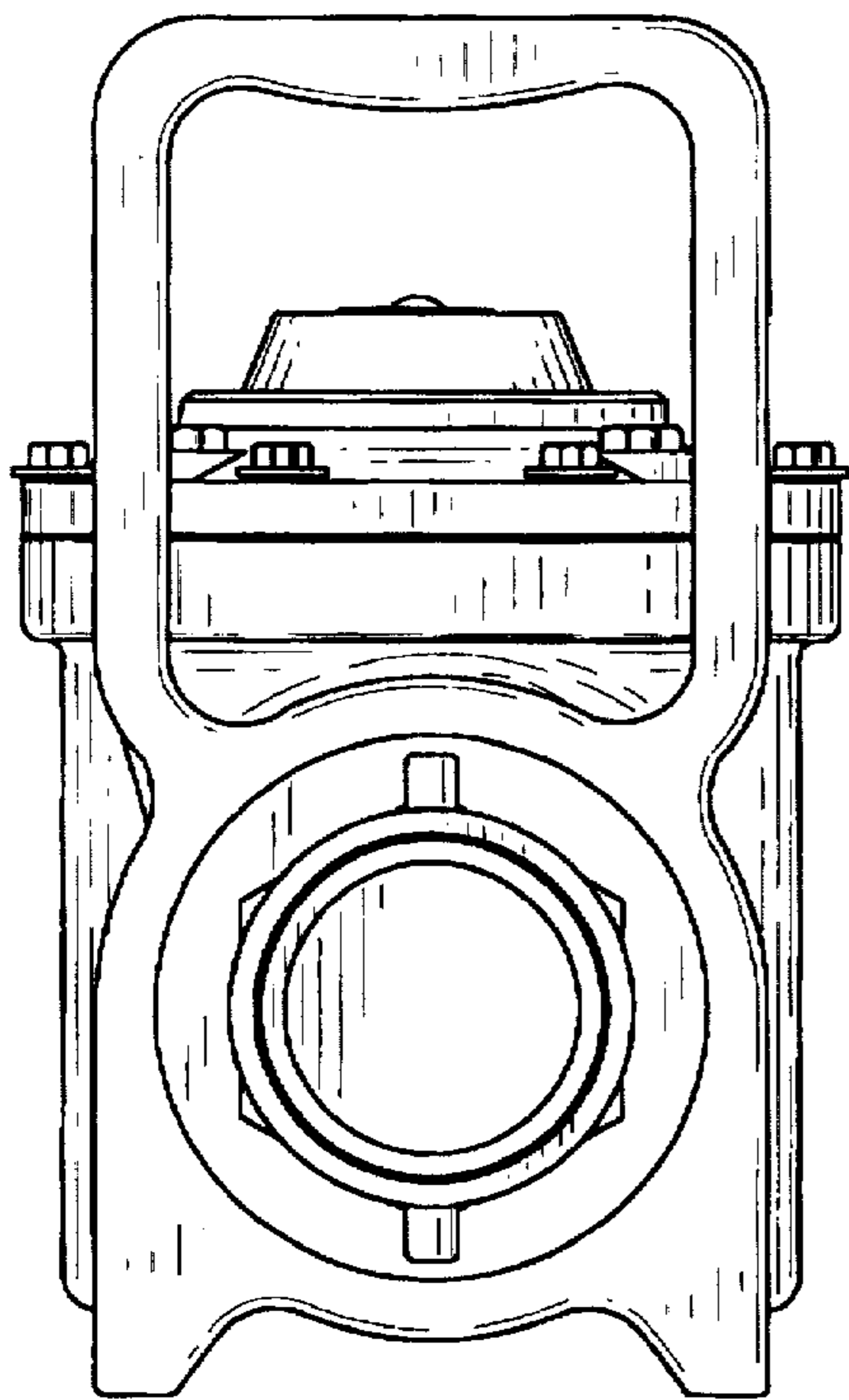


Fig. 3

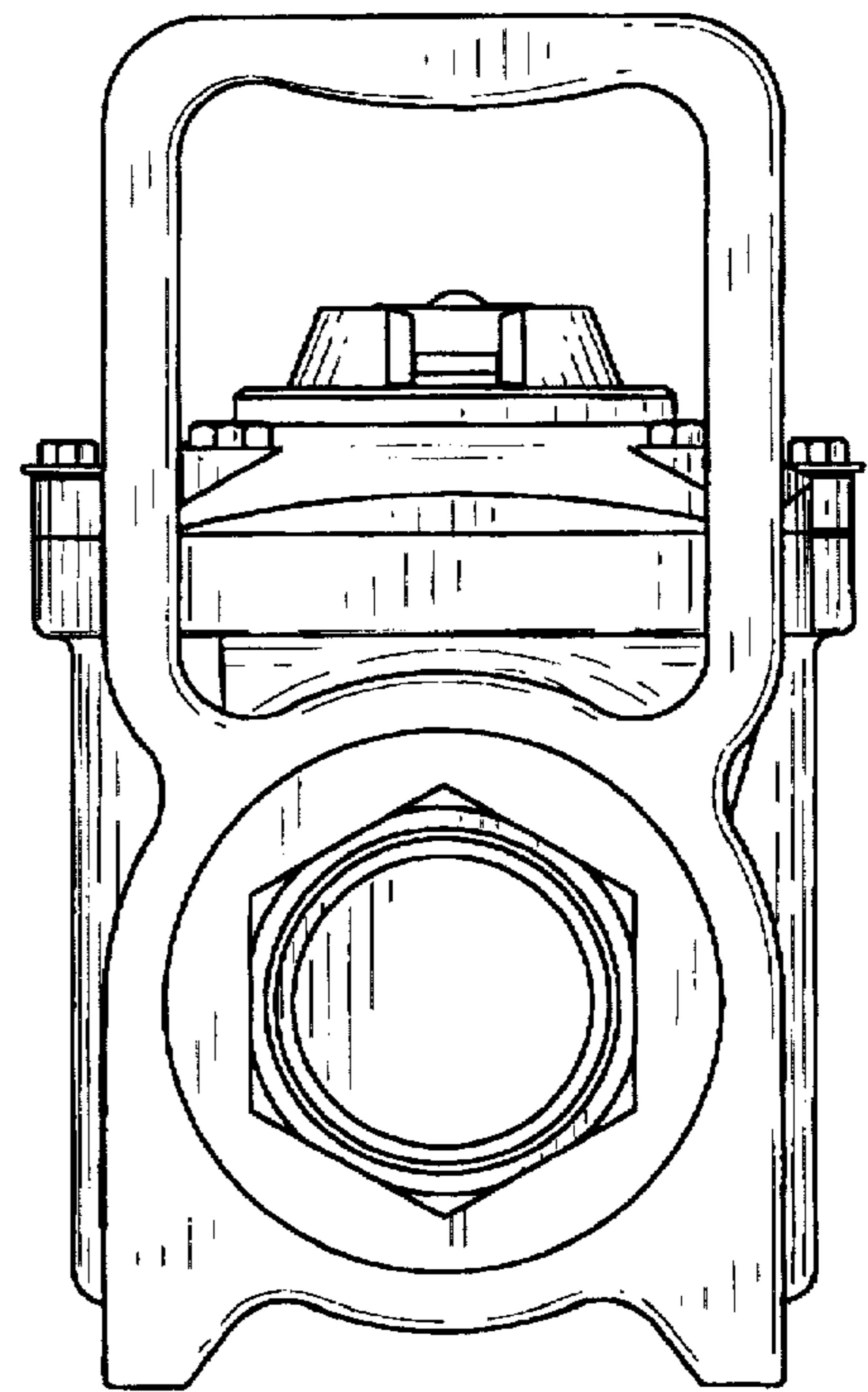


Fig. 4

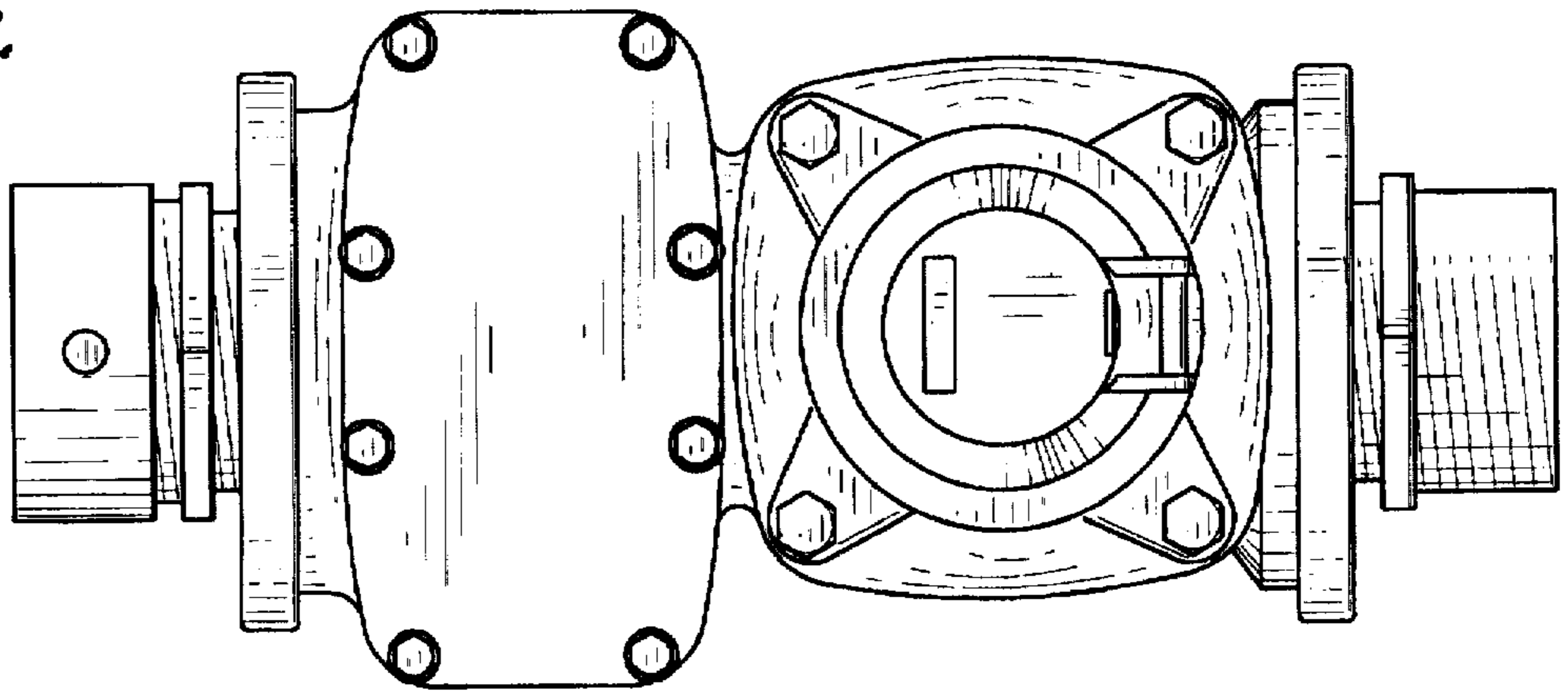


Fig. 5

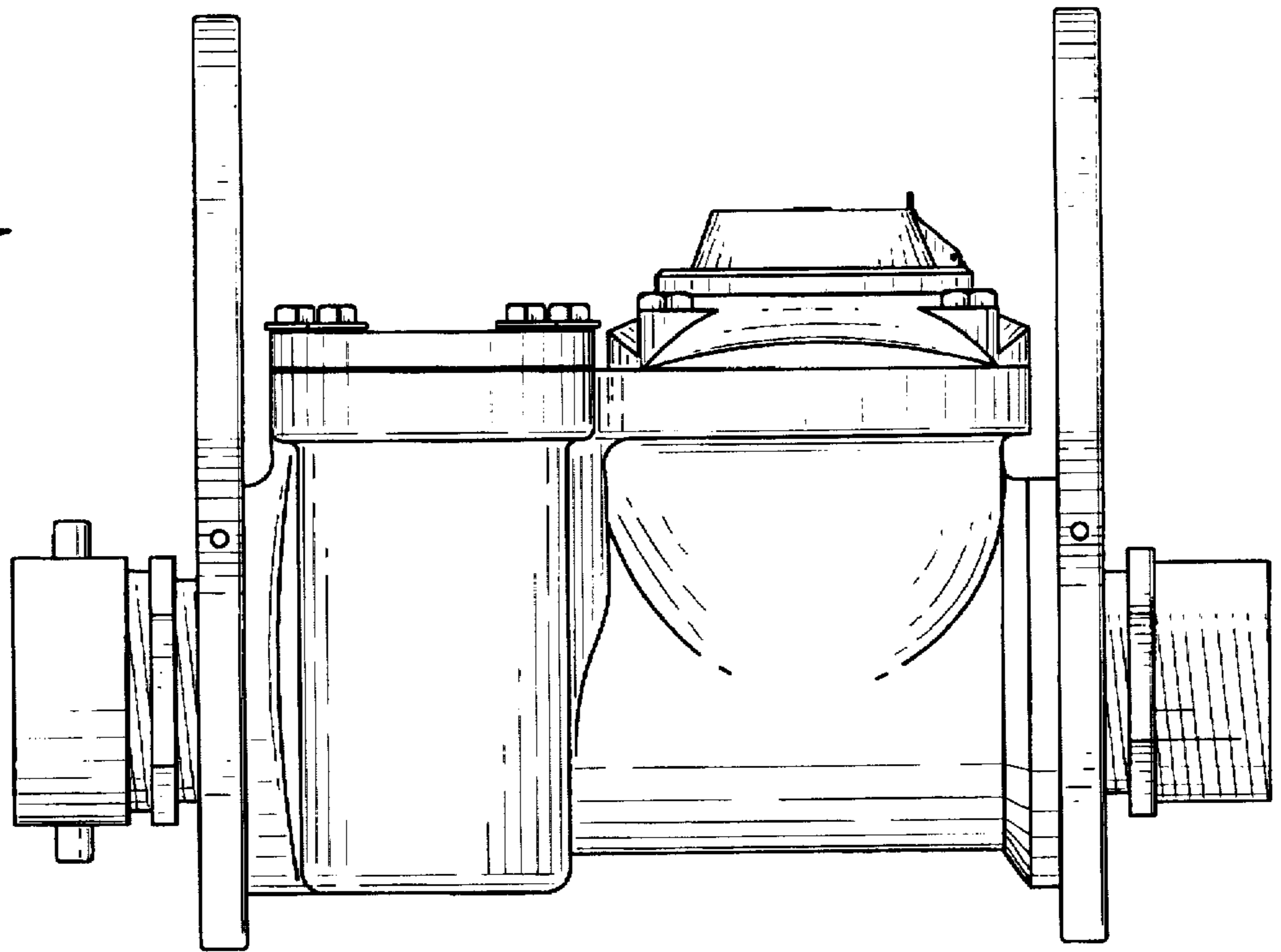


Fig. 6

