



US00D384298S

United States Patent [19]
Boyd

[11] **Patent Number: Des. 384,298**
[45] **Date of Patent: **Sep. 30, 1997**

[54] **LOAD GAUGE BLOCK**

[76] **Inventor: Darryl L. Boyd, 1314 Oceanaire, San Luis Obispo, Calif. 93405**

[**] **Term: 14 Years**

[21] **Appl. No.: 45,931**

[22] **Filed: Nov. 2, 1995**

[51] **LOC (6) Cl. 10-04**

[52] **U.S. Cl. D10/83**

[58] **Field of Search D10/83, 94; D12/159; 33/DIG. 13; 73/763, 766, 782; 338/6**

[56] **References Cited**

U.S. PATENT DOCUMENTS

3,171,276 3/1965 Sanchez et al. 73/766
3,853,000 12/1974 Barnett et al. 33/DIG. 13 X

3,986,254 10/1976 Nordstrom 33/DIG. 13 X
4,897,927 2/1990 Nicol 33/DIG. 13 X
4,964,306 10/1990 Jacobsen et al. 73/763

Primary Examiner—Louis S. Zarfaz
Assistant Examiner—Frank Martinez

[57] **CLAIM**

The ornamental design for a load gauge block, as shown.

DESCRIPTION

FIG. 1 is a right view;
FIG. 2 is a left view;
FIG. 3 is an end view;
FIG. 4 is a back view;
FIG. 5 is an opposite end view;
FIG. 6 is a front view; and,
FIG. 7 is a top/bottom, identical view.

1 Claim, 1 Drawing Sheet

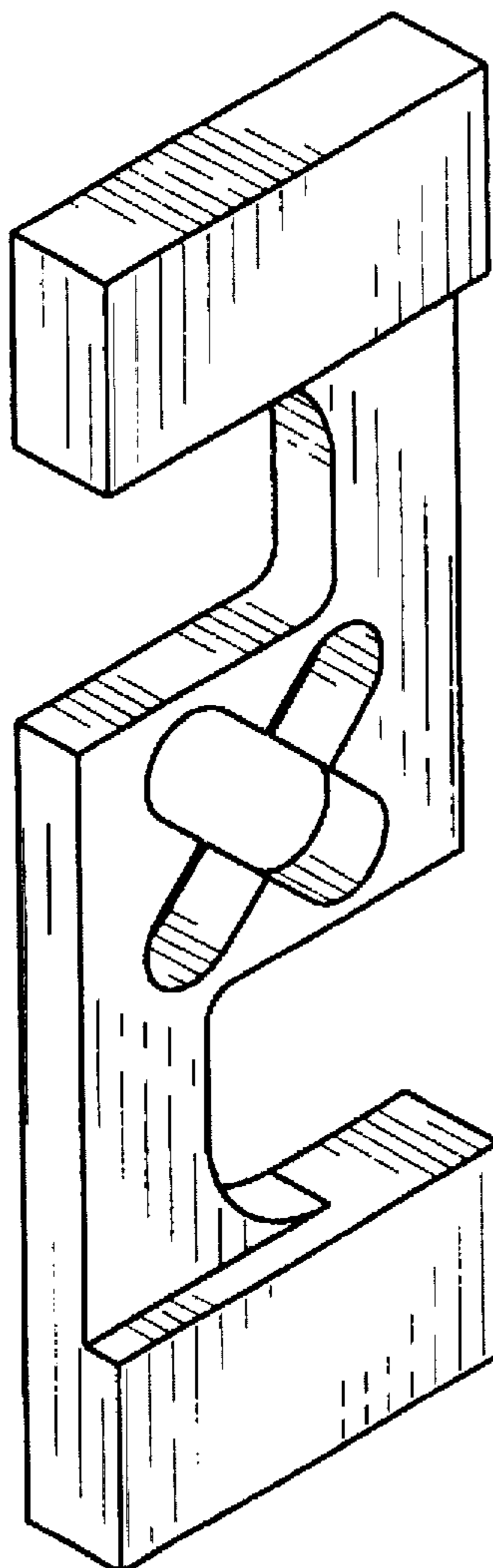


FIG. 1

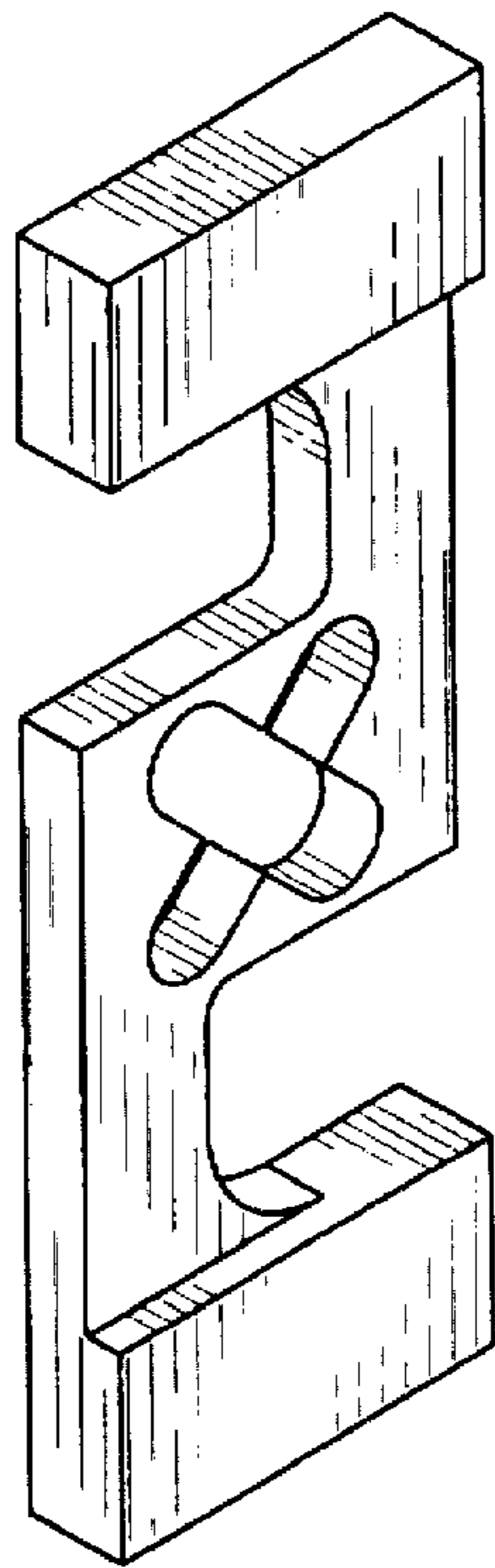


FIG. 2

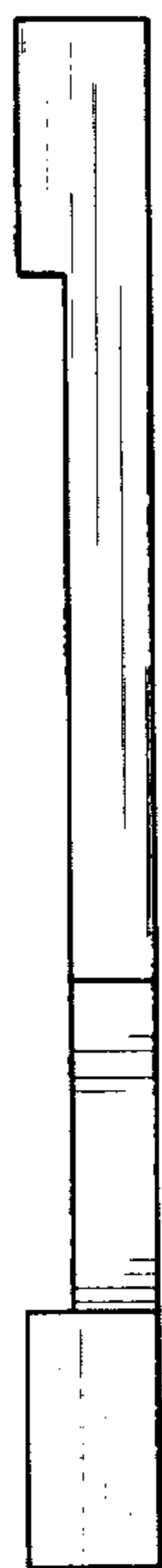
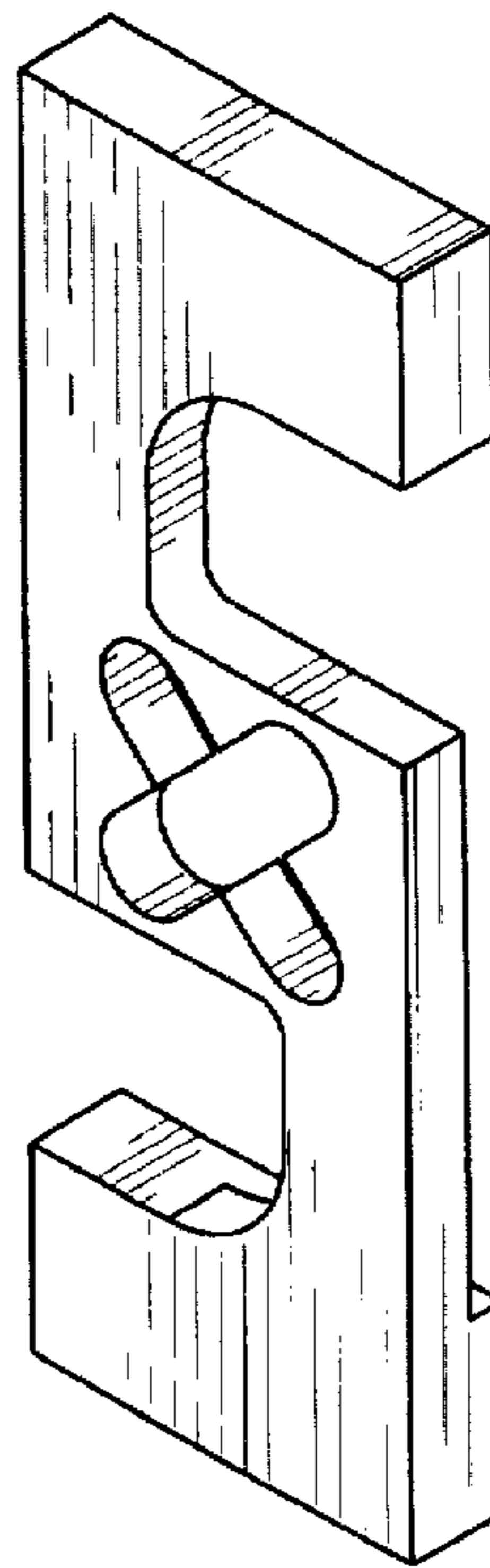


FIG. 3

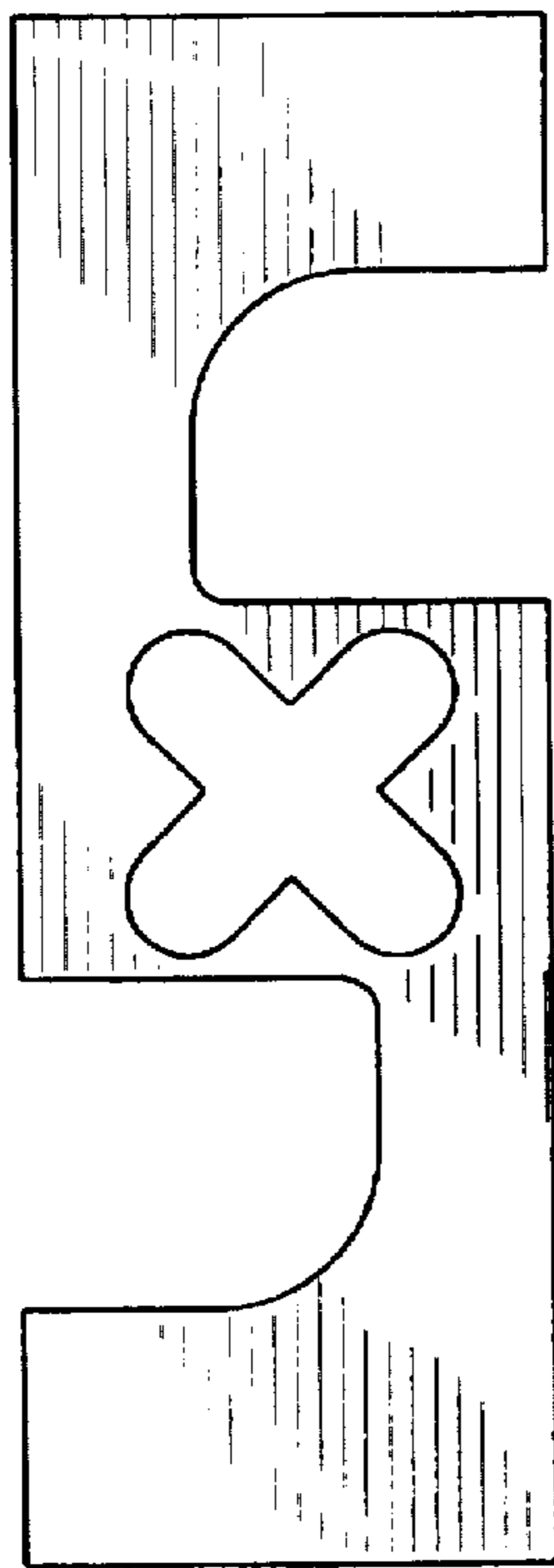


FIG. 4



FIG. 5

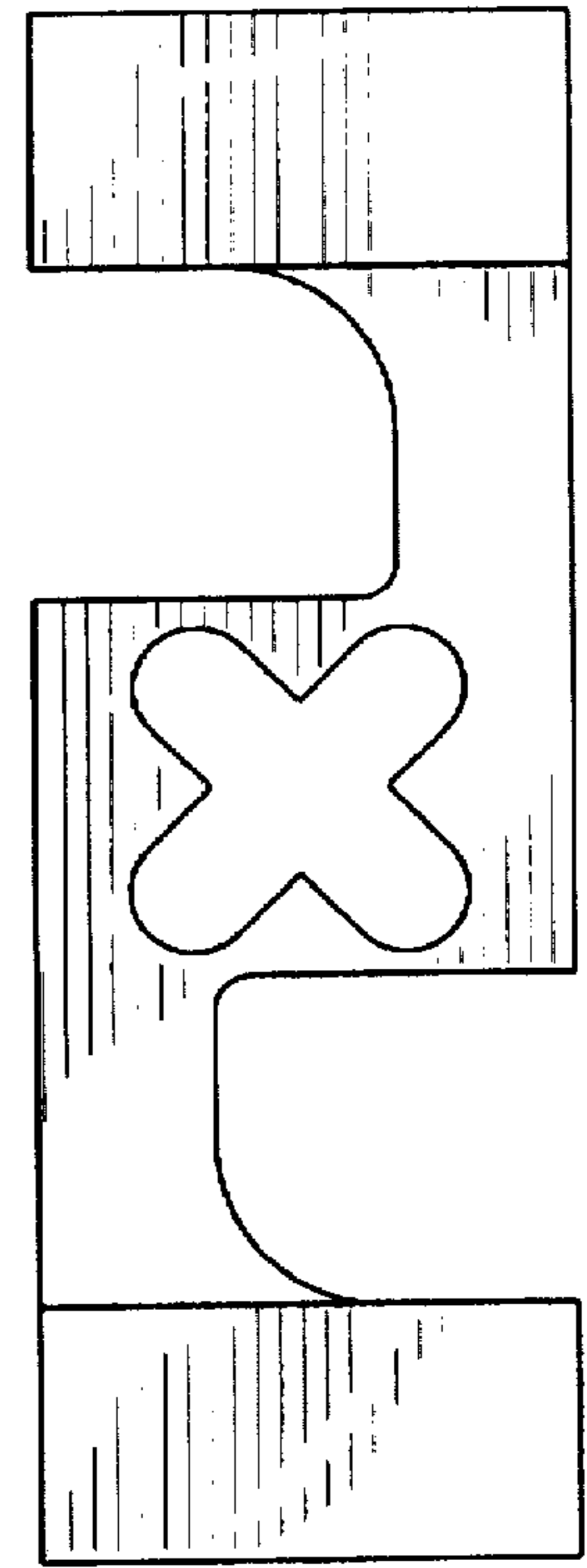


FIG. 6

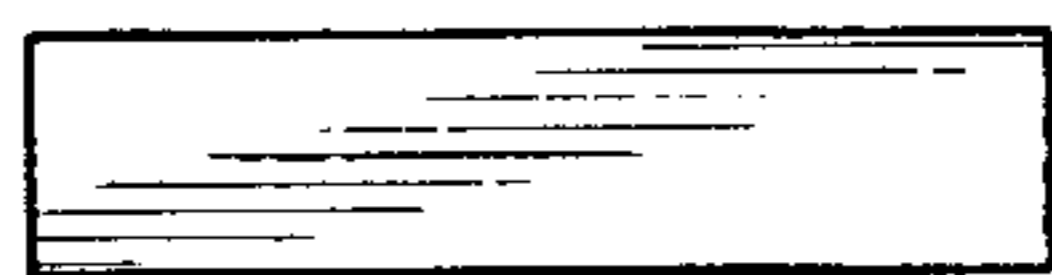


FIG. 7