



US00D384294S

United States Patent [19]

Woo et al.

[11] Patent Number: **Des. 384,294**

[45] Date of Patent: ****Sep. 30, 1997**

[54] **CASING FOR A WATCH**

D. 363,232 10/1995 Gueit D10/38

[75] Inventors: **Moon K. Woo**, Palisades, N.J.; **Percy Cheung**, Happy Valley, Hong Kong

OTHER PUBLICATIONS

Hong Kong Enterprises—Jul. 1988—p. 179—Watch at bottom—2nd from right.

[73] Assignee: **Timex Corporation**, Middlebury, Conn.

Primary Examiner—Nelson C. Holtje
Attorney, Agent, or Firm—Paul R. Juhasz

[**] Term: **14 Years**

[57] CLAIM

[21] Appl. No.: **55,161**

The ornamental design for a “casing for a watch”, as shown and described.

[22] Filed: **May 30, 1996**

[51] LOC (6) Cl. **10-02**

DESCRIPTION

[52] U.S. Cl. **D10/30; D10/39**

[58] Field of Search D1/1-40, 122-132;
368/280-282, 276-277, 285

FIG. 1 is a perspective elevational view of a “casing for a watch”;

FIG. 2 is a left side elevational view thereof;

FIG. 3 is a top plan view thereof;

FIG. 4 is a right side elevational view thereof;

FIG. 5 is an end elevational view thereof; the opposite end being a mirror image is not shown; and,

FIG. 6 is a bottom plan view thereof.

[56] References Cited

U.S. PATENT DOCUMENTS

D. 111,530	9/1938	Wuischpard	D10/38
D. 294,010	2/1988	Bouchet	D10/30
D. 295,385	4/1988	Watanabe	D10/30
D. 350,702	9/1994	Schwarz	D10/39

1 Claim, 2 Drawing Sheets

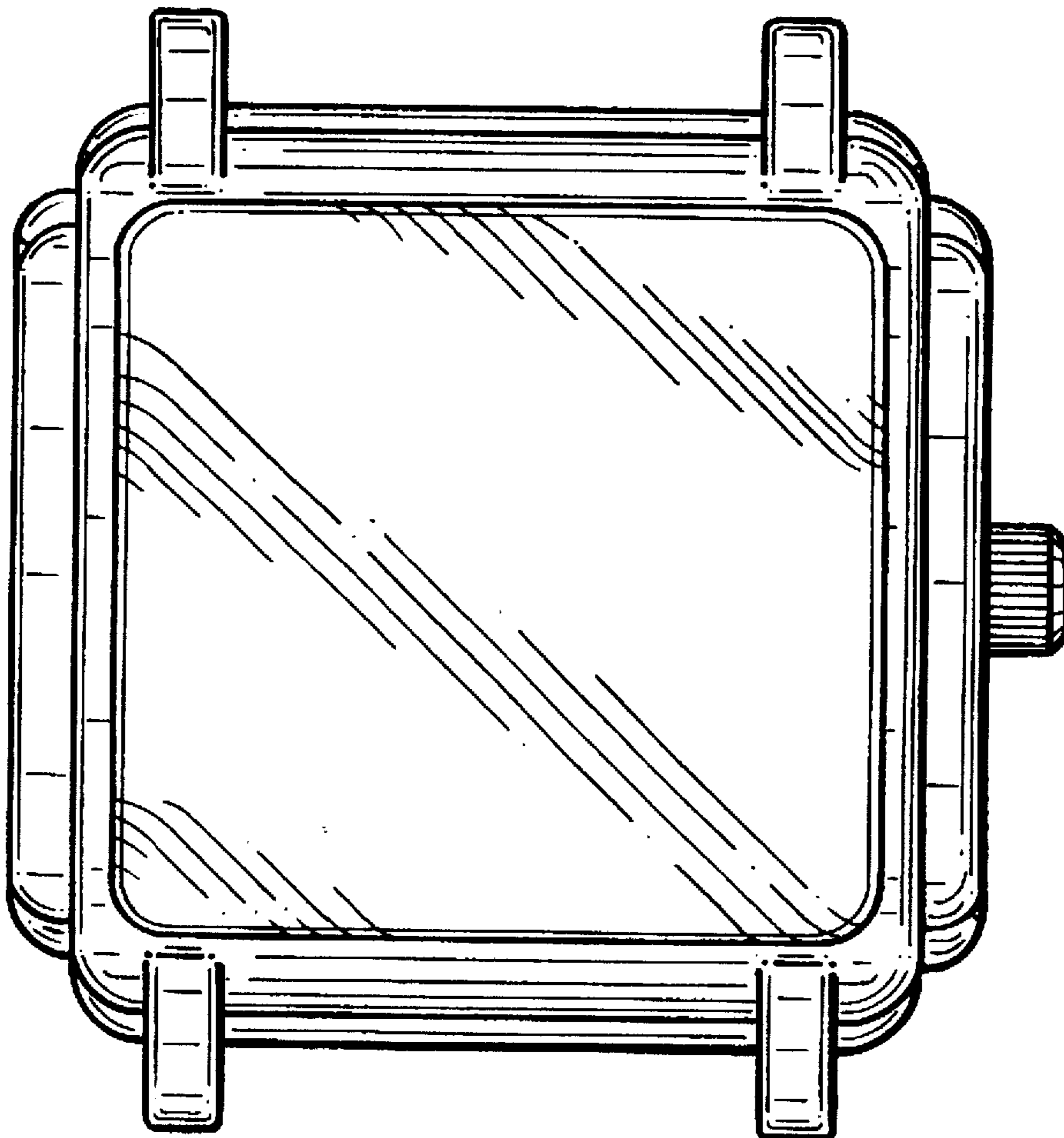


FIG. 1

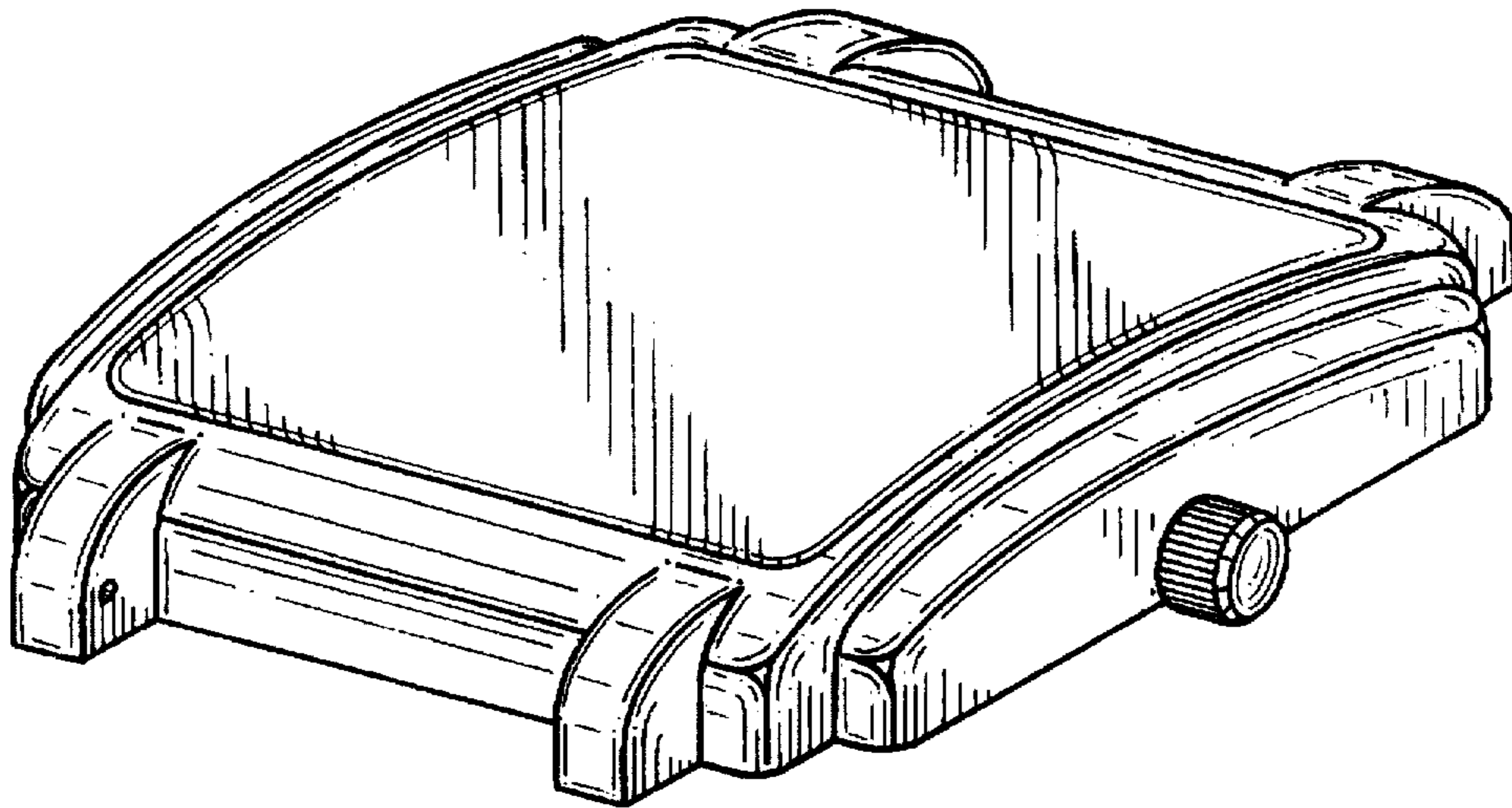


FIG. 6

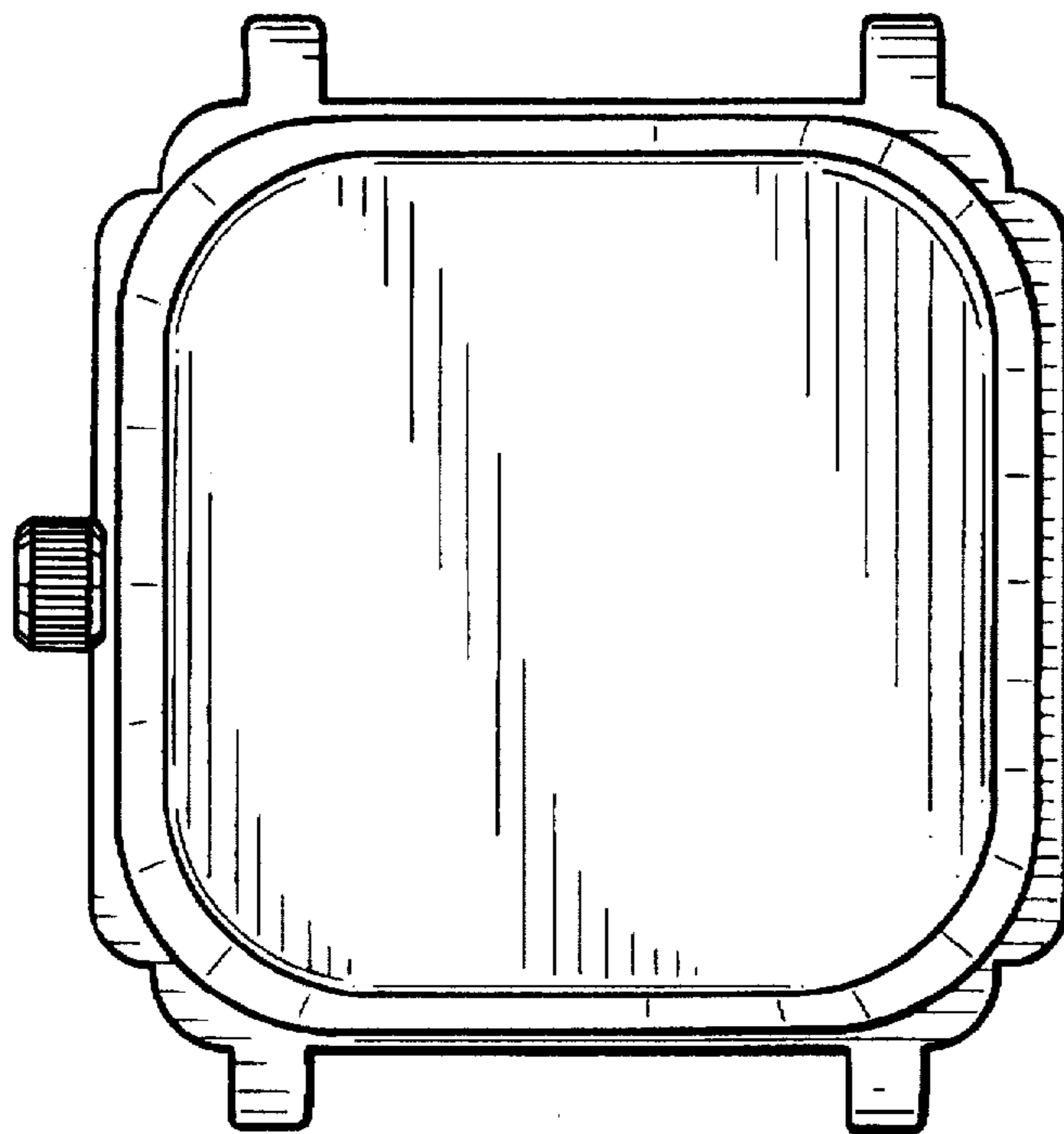


FIG. 2

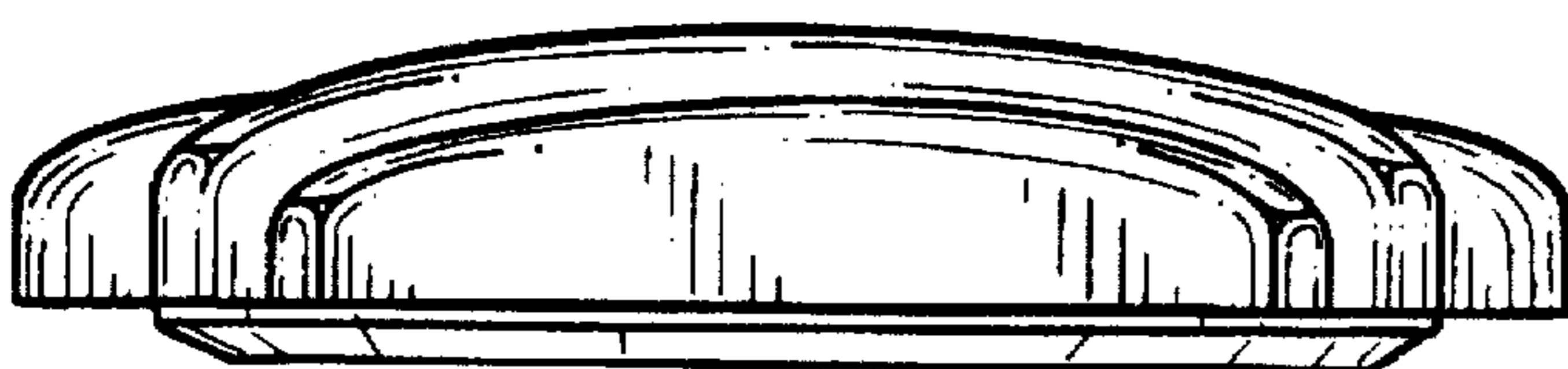


FIG. 3

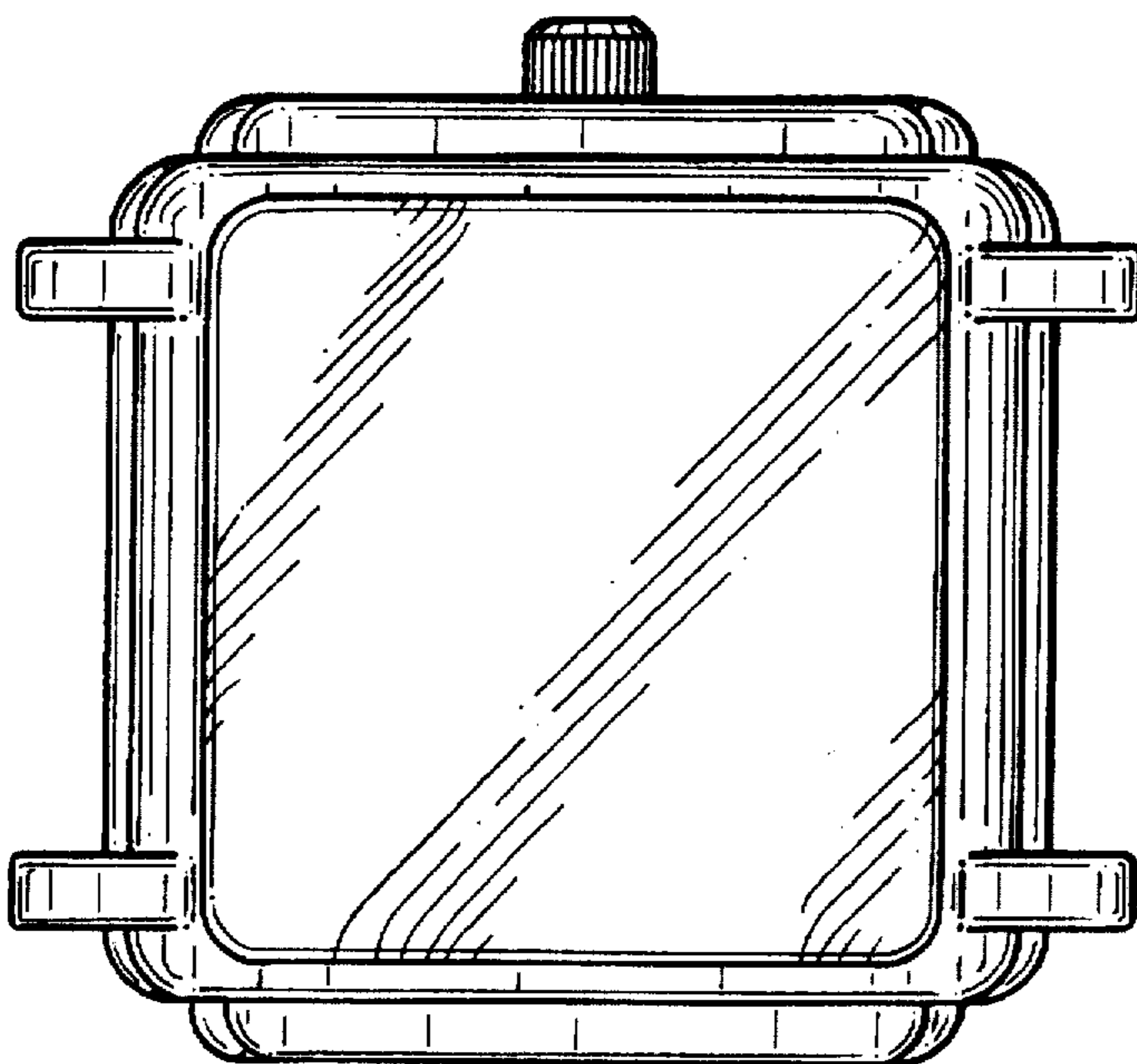


FIG. 4

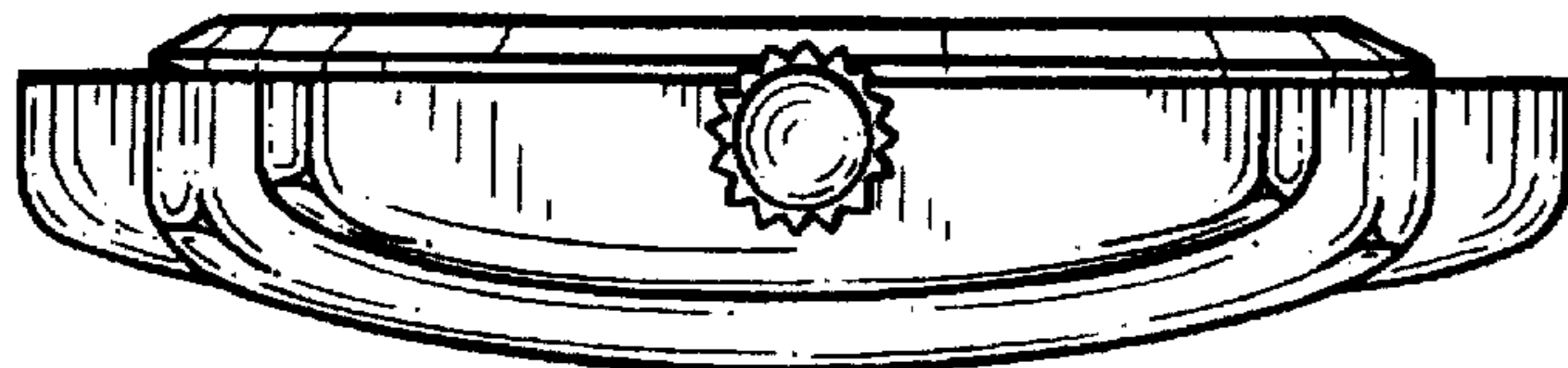


FIG. 5

