



US00D384293S

United States Patent [19]

Woo et al.

[11] Patent Number: **Des. 384,293**

[45] Date of Patent: ****Sep. 30, 1997**

[54] CASING FOR A WATCH

[75] Inventors: **Moon K. Woo**, Palisades Park, N.J.;
Wai Chung Ng, Staten Island, N.Y.

[73] Assignee: **Timex Corporation**, Middlebury, Conn.

[**] Term: **14 Years**

[21] Appl. No.: **55,159**

[22] Filed: **May 30, 1996**

[51] LOC (6) Cl. **10-02**

[52] U.S. Cl. **D10/30; D10/39**

[58] Field of Search **D10/1-40, 122-132;**
368/280-282, 276-277, 285

[56] References Cited

U.S. PATENT DOCUMENTS

D. 220,051 3/1971 Gsell D10/39

OTHER PUBLICATIONS

Swiss Watch & Jewelry Journal—Mar. 1976—p. 331—watch at top-right.

European Jeweler—Jun. 80—p. 48—watch at bottom, second from right.

Primary Examiner—Nelson C. Holtje
Attorney, Agent, or Firm—Paun R. Juhasz

[57] CLAIM

The ornamental design for a “casing for a watch”, as shown and described.

DESCRIPTION

FIG. 1 is a perspective elevational view of a “casing for a watch”;

FIG. 2 is a left side elevational view thereof;

FIG. 3 is a top plan view thereof;

FIG. 4 is a right side elevational view thereof;

FIG. 5 is an end elevational view thereof; the opposite end being a mirror image is not shown; and,

FIG. 6 is a bottom plan view thereof.

1 Claim, 2 Drawing Sheets

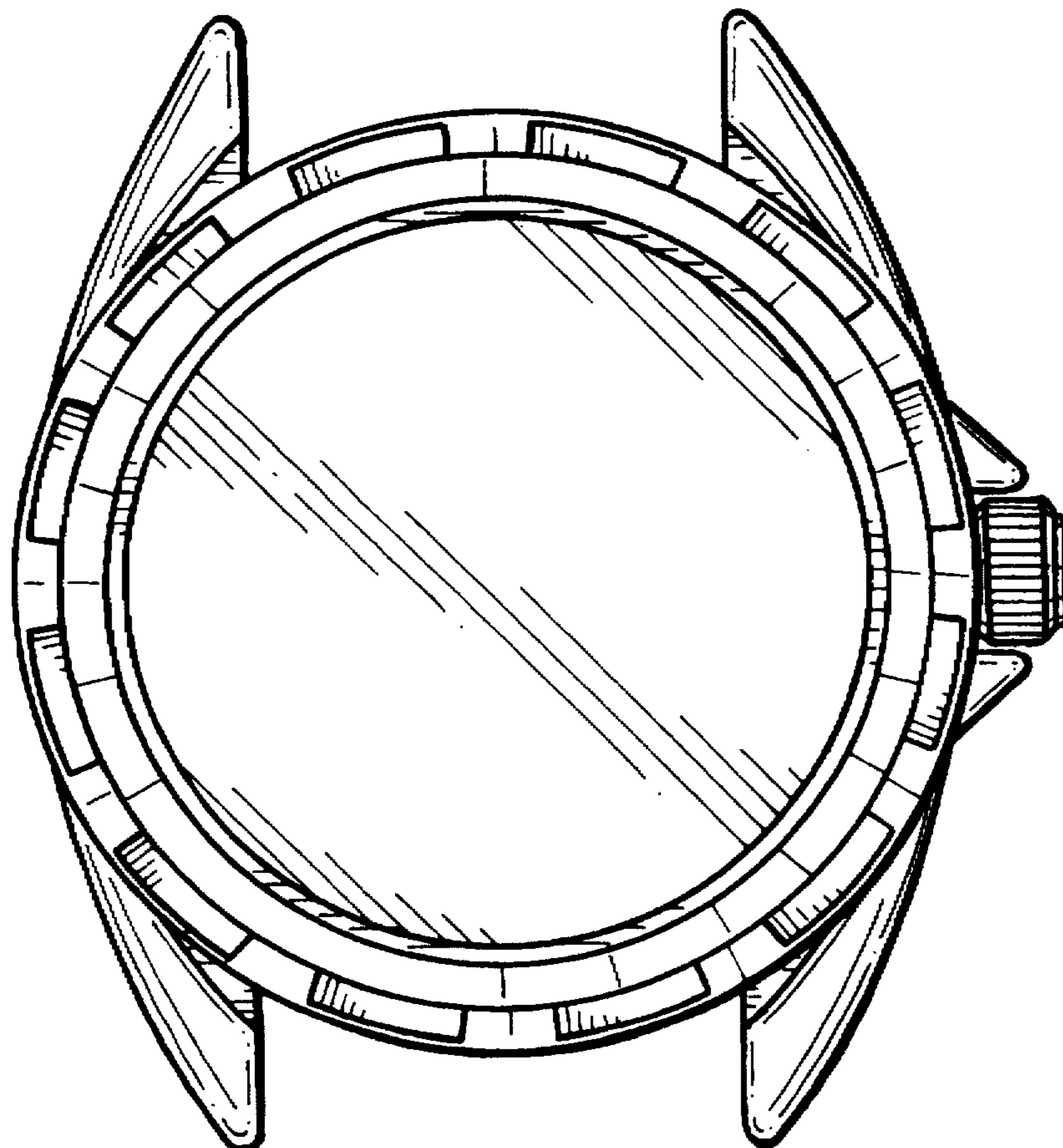


FIG. 1

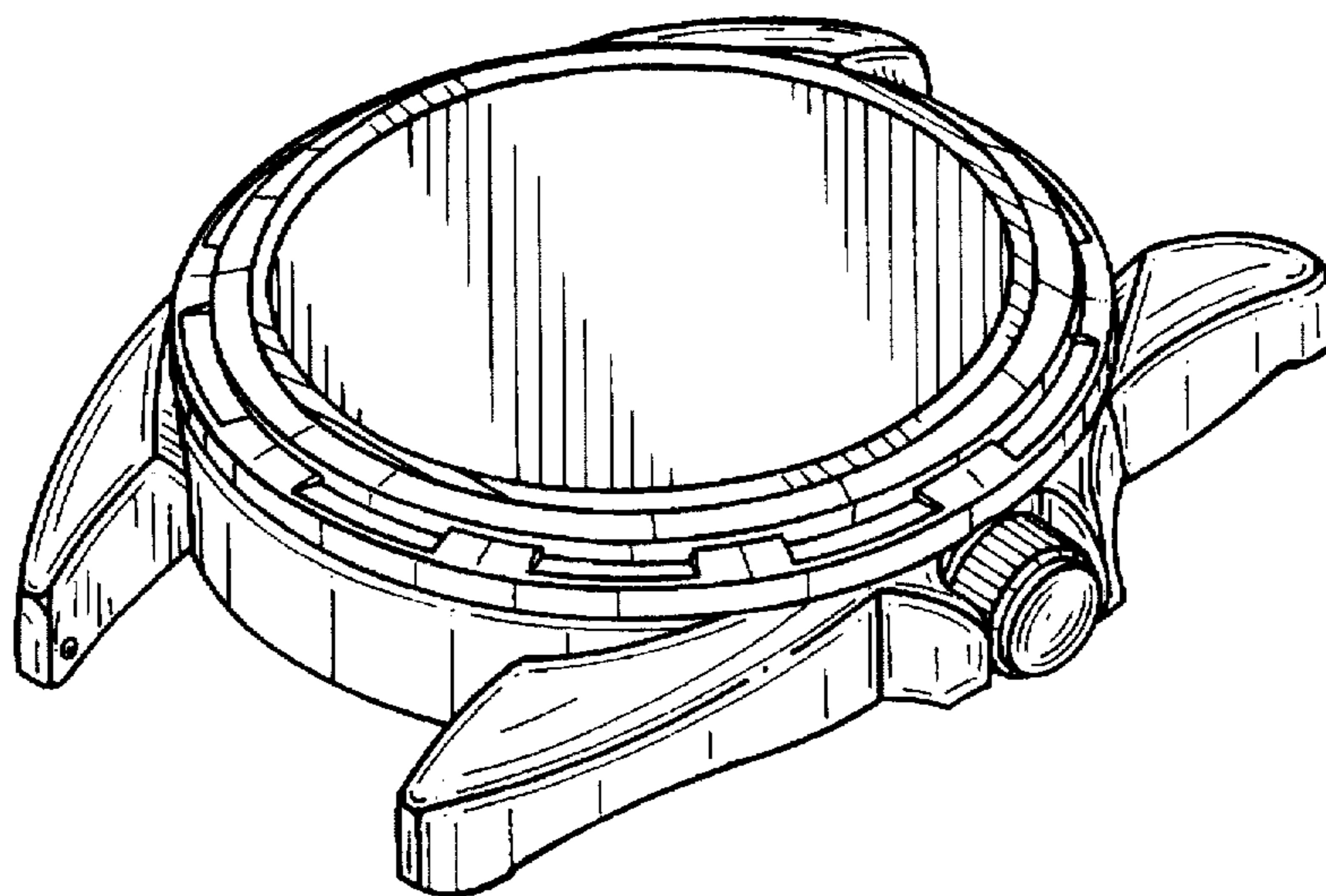


FIG. 6

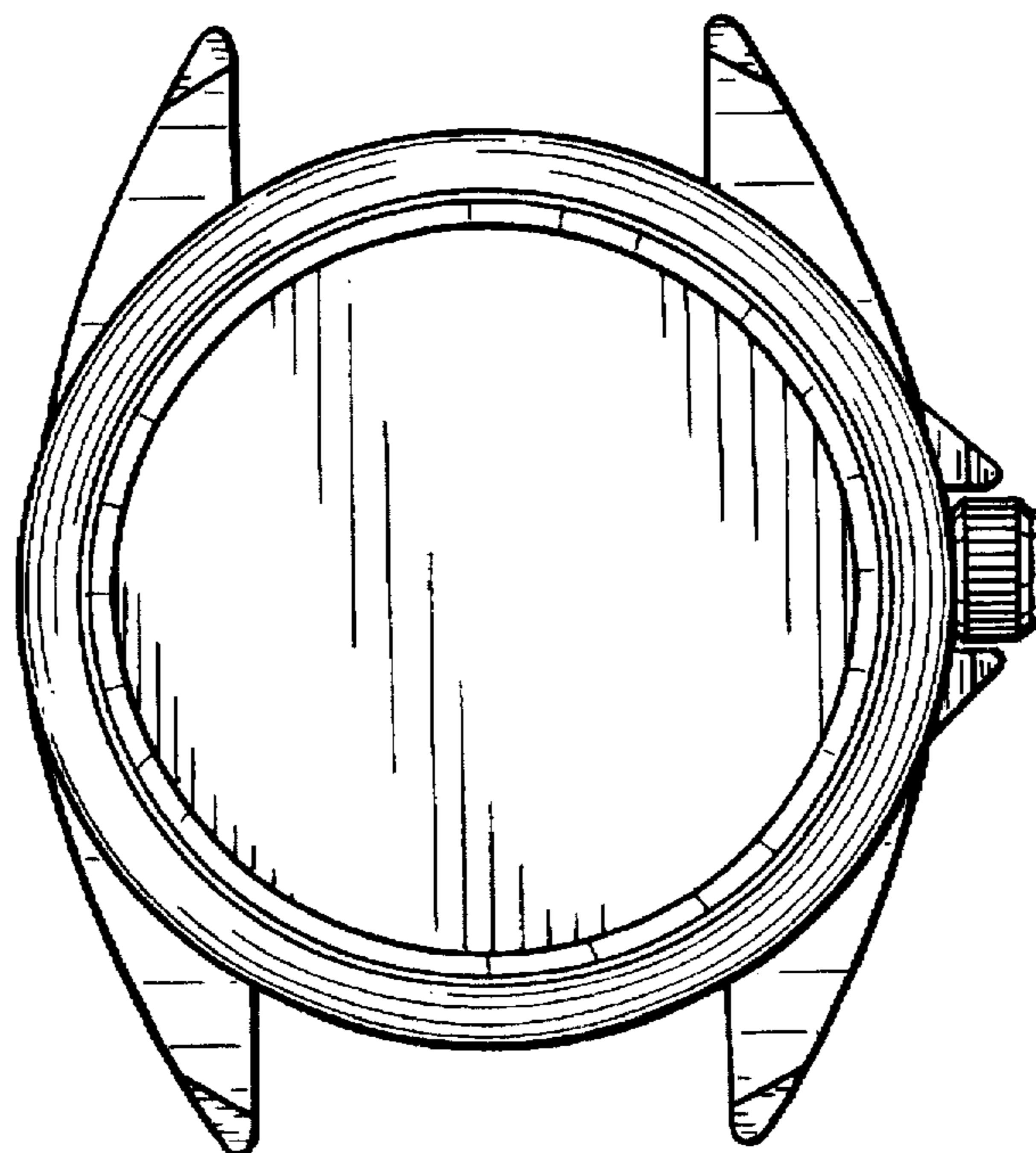


FIG. 2

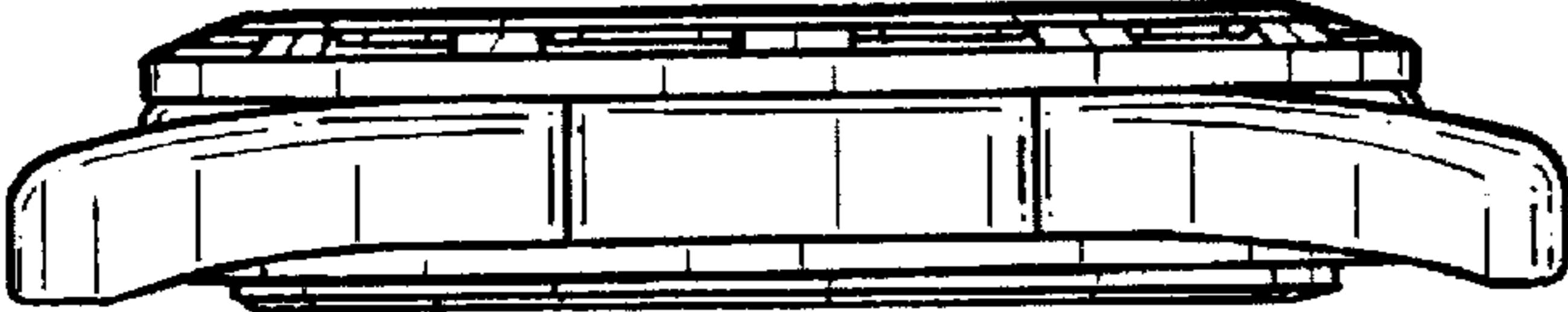


FIG. 3

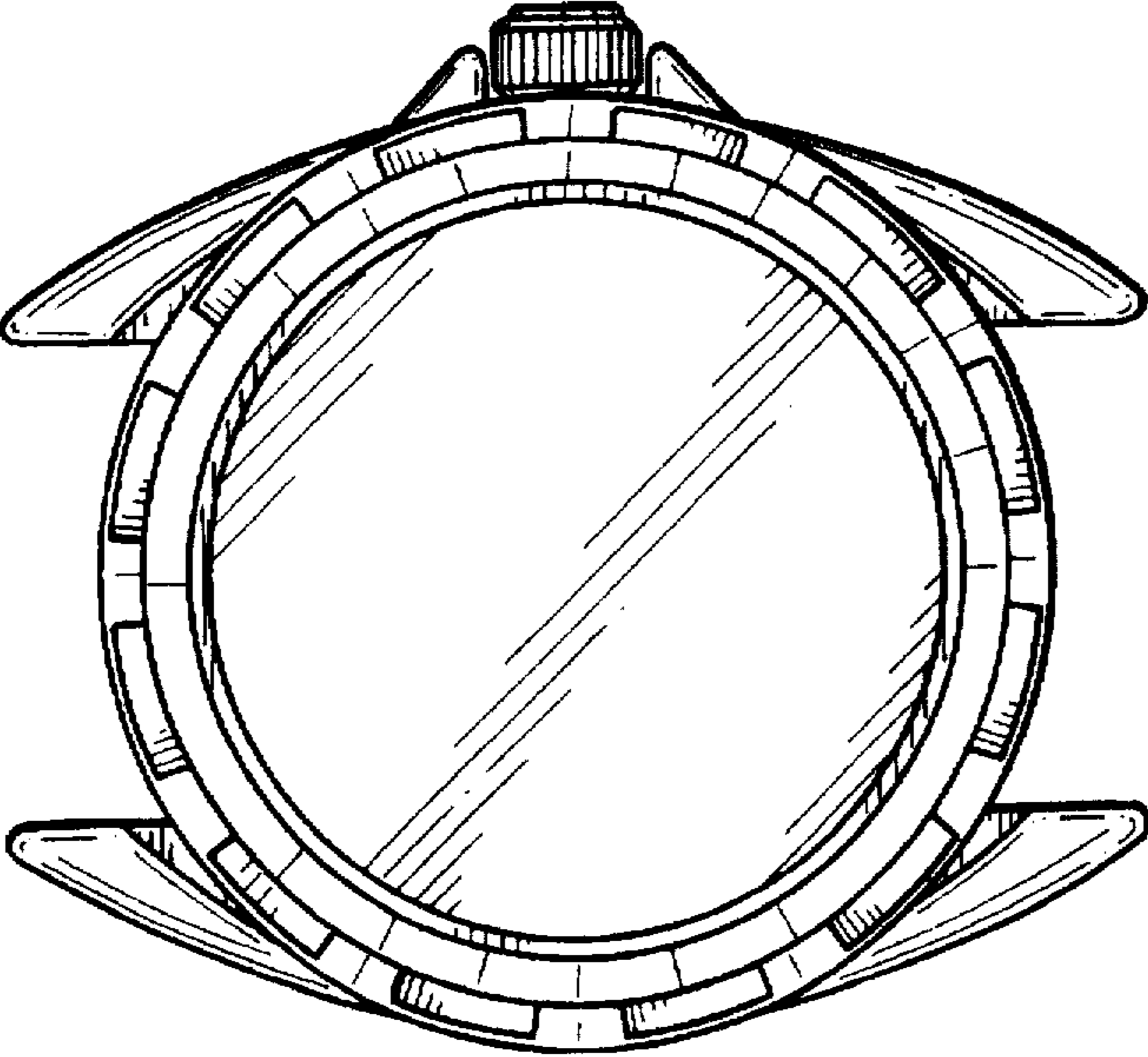


FIG. 4

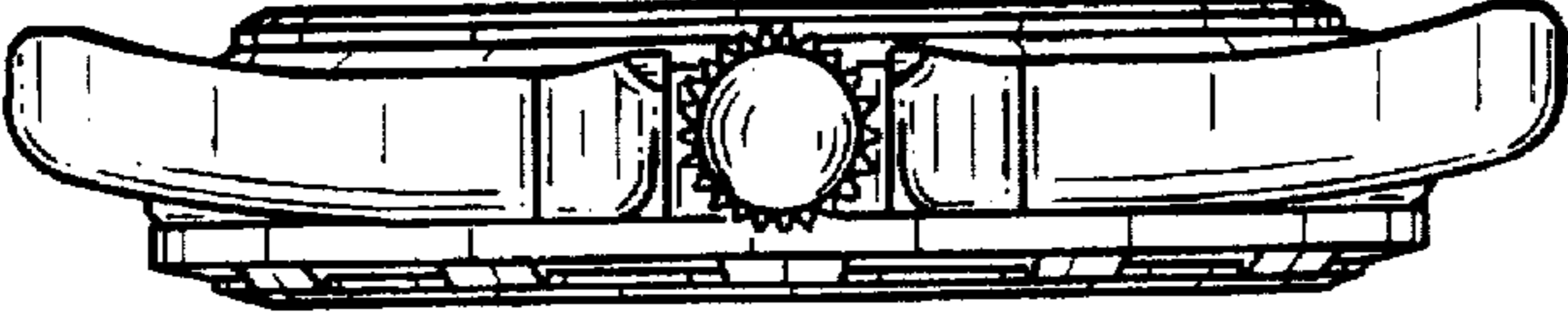


FIG. 5

