



US00D384286S

# United States Patent [19]

Abbott

[11] Patent Number: Des. 384,286

[45] Date of Patent: \*\*Sep. 30, 1997

[54] COMPACT DISK CLOCK

[76] Inventor: Robert G. Abbott, 3597 E. 72nd St., Cleveland, Ohio 44105

[\*\*] Term: 14 Years

[21] Appl. No.: 37,303

[22] Filed: Apr. 10, 1995

[51] LOC (6) Cl. .... 10-01

[52] U.S. Cl. .... D10/6; D10/24

[58] Field of Search ..... D10/1-40, 122-132; 368/223, 228-229, 232, 276-277, 280-282, 285, 316-317; D6/434

[56] **References Cited**

**U.S. PATENT DOCUMENTS**

- D. 301,981 7/1989 Song ..... D10/6
- D. 335,215 5/1993 Stumpf ..... D6/634
- D. 339,297 9/1993 Balch ..... D10/6

*Primary Examiner*—Nelson C. Holtje  
*Attorney, Agent, or Firm*—Watts, Hoffman, Fisher & Heinke Co., L.P.A.

[57] **CLAIM**

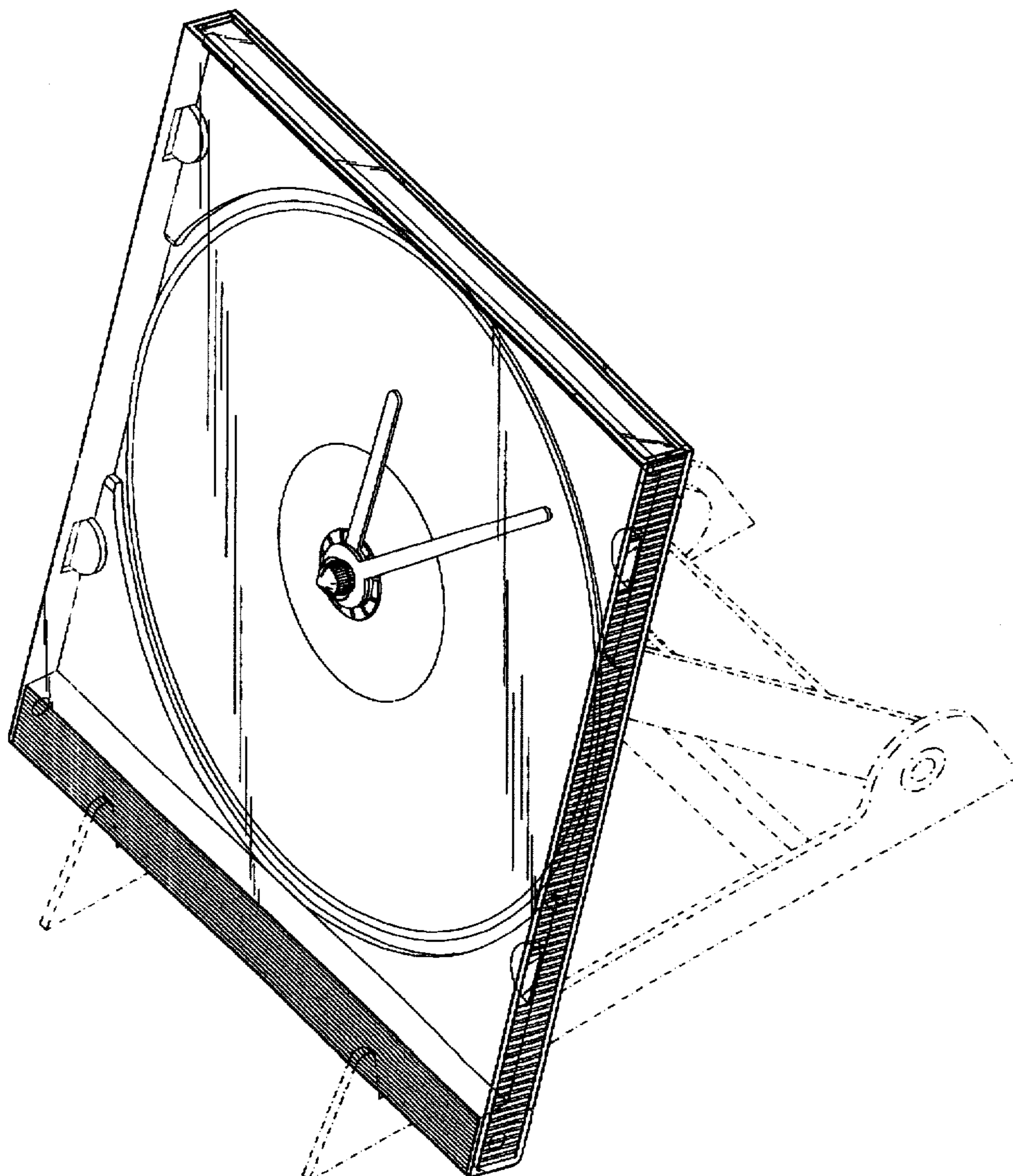
The ornamental design for a compact disk clock, as shown.

**DESCRIPTION**

FIG. 1 is a perspective view of a compact disc clock showing my new design;  
FIG. 2 is a front elevational view thereof;  
FIG. 3 is a right side elevational view thereof, the left side elevational view being identical;  
FIG. 4 is a top plan view thereof;  
FIG. 5 is a bottom plan view thereof; and,  
FIG. 6 is a rear elevational view thereof.

The broken line showing of a compact disc clock support in FIG. 1 is for illustrative purposes only and forms no part of the claimed design.

**1 Claim, 3 Drawing Sheets**



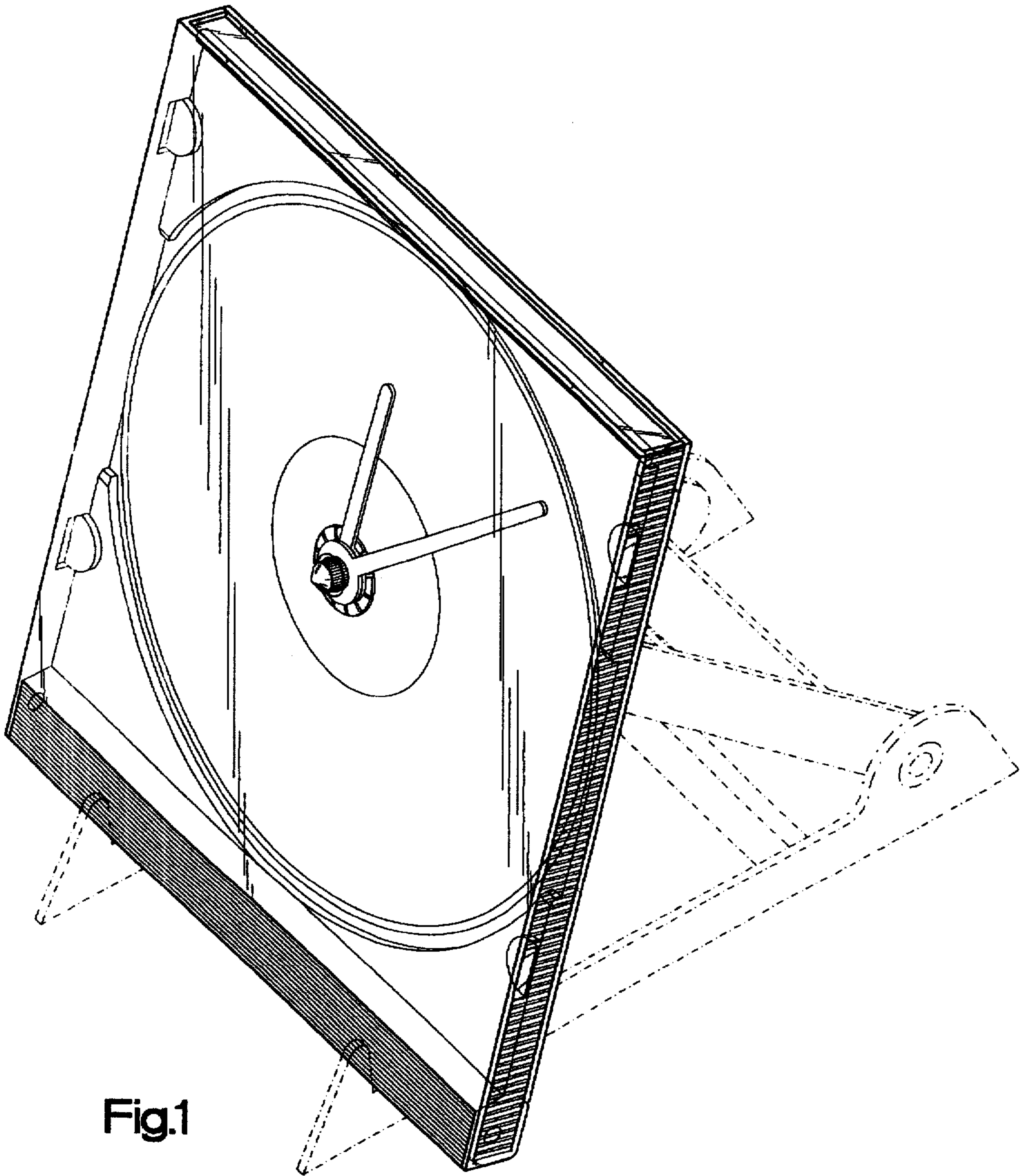


Fig.1

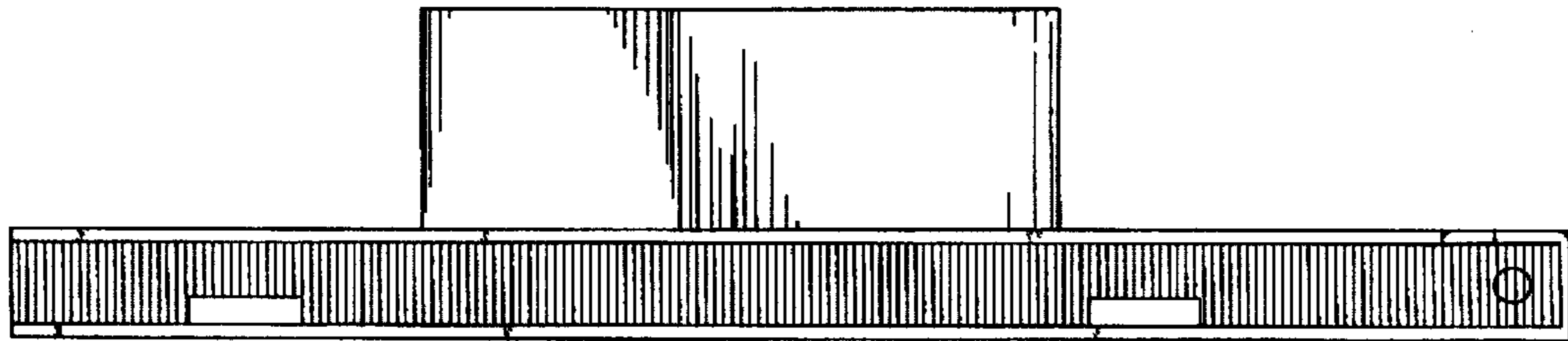


Fig.3

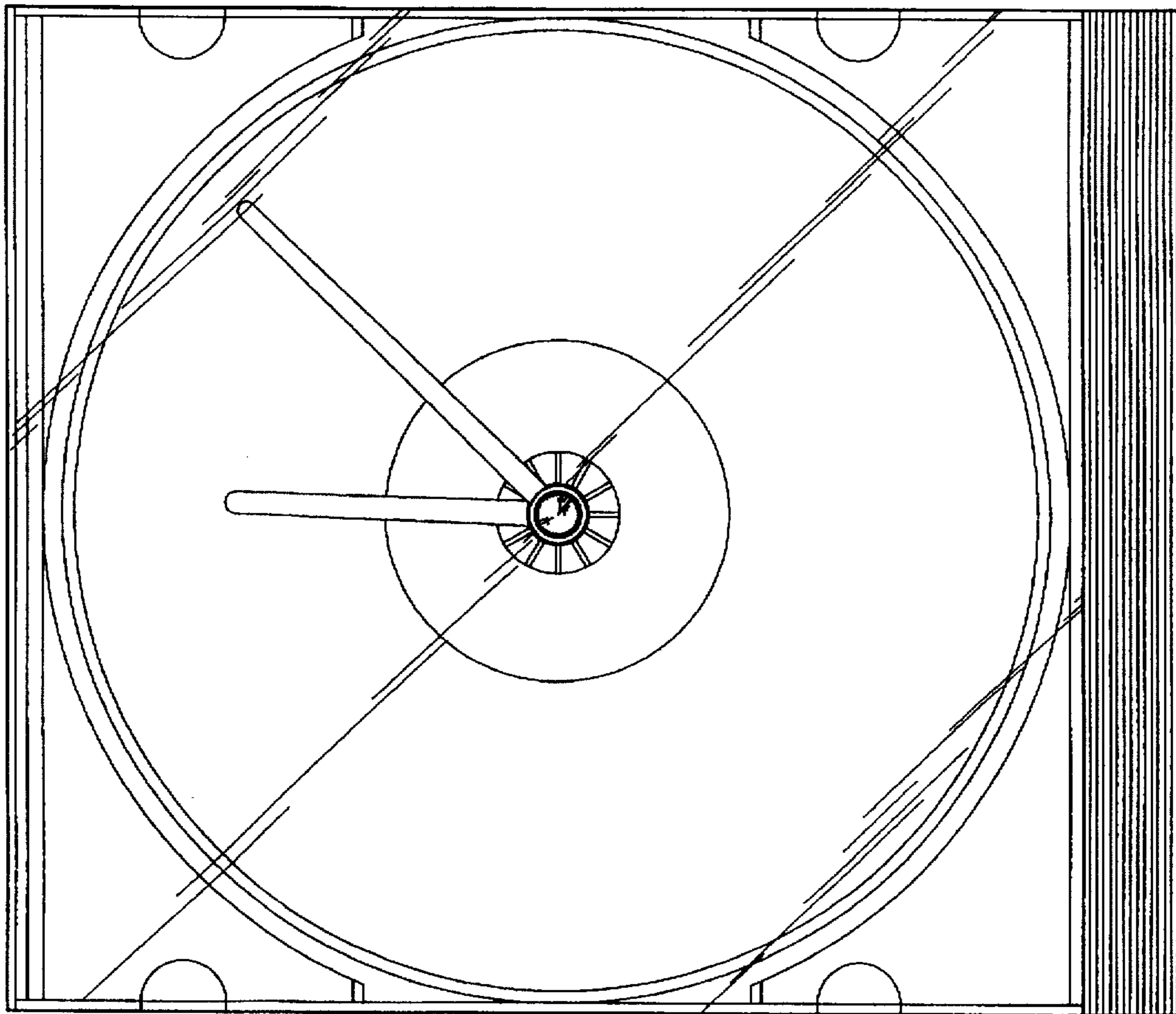


Fig.2

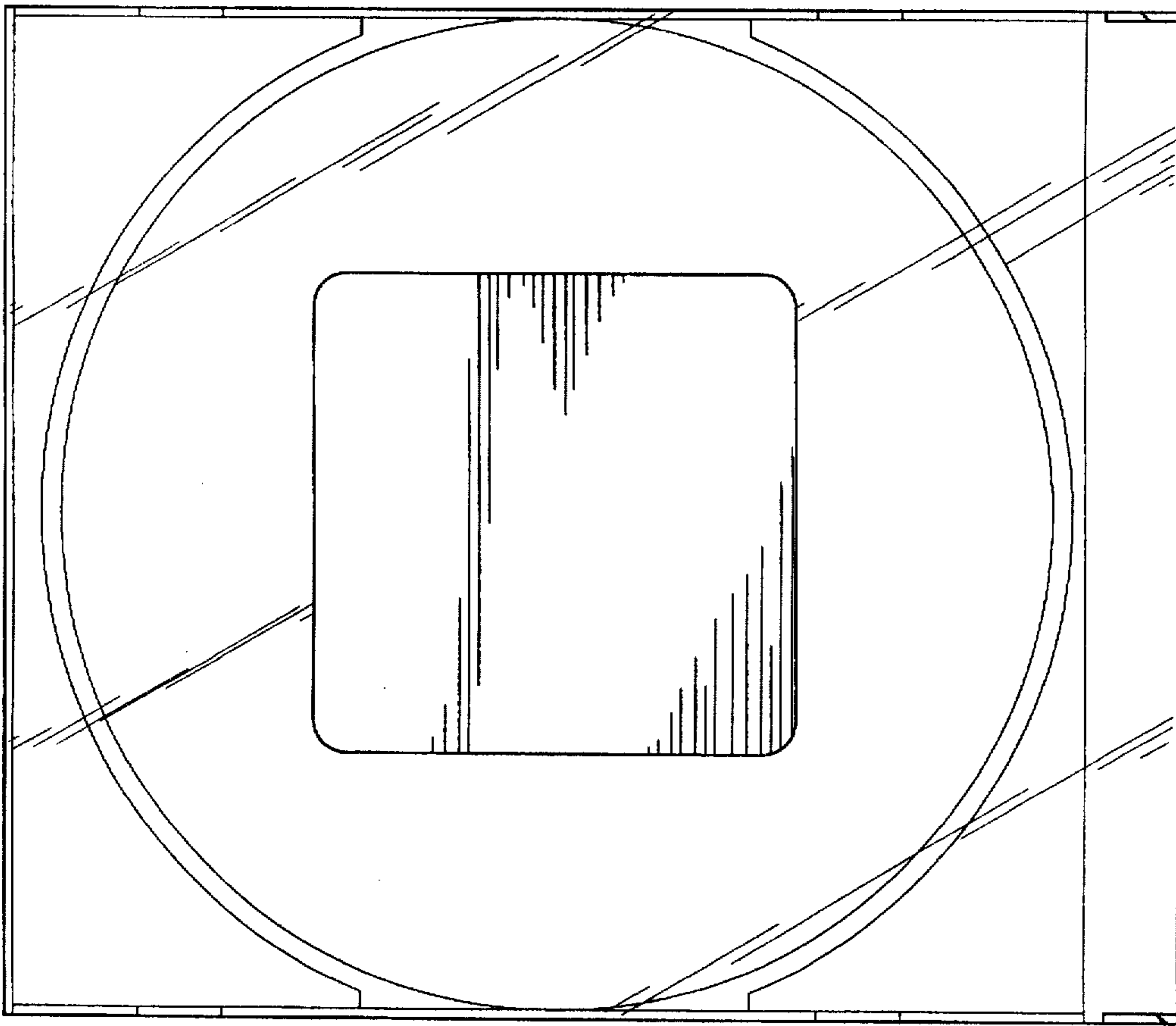


Fig.6

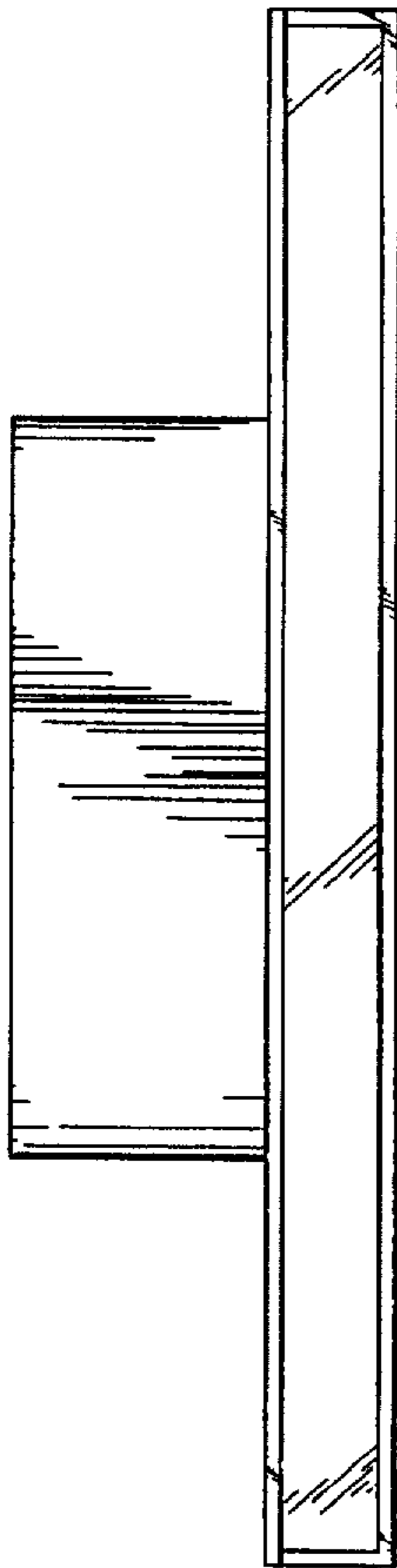


Fig.4

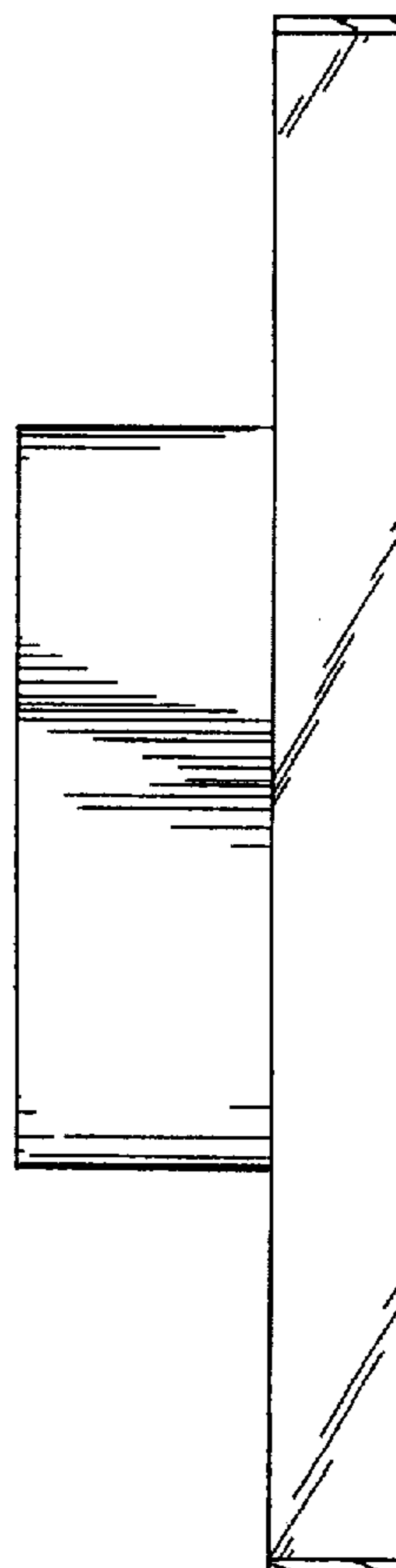


Fig.5