



US00D384282S

# United States Patent [19]

Wong

[11] Patent Number: Des. 384,282

[45] Date of Patent: \*\*Sep. 30, 1997

[54] CLOSURE

[75] Inventor: Kon Euan Wong, Box Hill, Australia

[73] Assignee: Bayly Design Associates Pty. Ltd.

[\*\*] Term: 14 Years

D. 345,073	3/1994	Carlson	.....	D7/300.1
D. 359,451	6/1995	Dees	.....	D9/454 X
2,387,573	10/1945	Ganson	.....	D24/197 X
4,828,137	5/1989	Batson et al.	.....	220/270
5,207,783	5/1993	Burton	.....	215/256
5,373,955	12/1994	Marino	.....	215/256

FOREIGN PATENT DOCUMENTS

2255083	10/1992	United Kingdom	.....	215/256
---------	---------	----------------	-------	---------

Primary Examiner—James Gandy  
Assistant Examiner—Cathron B. Matta  
Attorney, Agent, or Firm—Ladas & Parry

[21] Appl. No.: 40,356

[22] Filed: Jun. 15, 1995

[30] Foreign Application Priority Data

Dec. 16, 1994 [AU] Australia ..... AU4200/94

[51] LOC (6) Cl. .... 09-07

[52] U.S. Cl. .... D9/443; D9/445

[58] Field of Search ..... D9/434-5, 443,  
D9/454; D7/300.1, 391; D24/197-199;  
215/256; 220/270; 222/541.1, 541.6, 541.5,  
541.9

[57] CLAIM

The ornamental design for closure, as shown and described.

DESCRIPTION

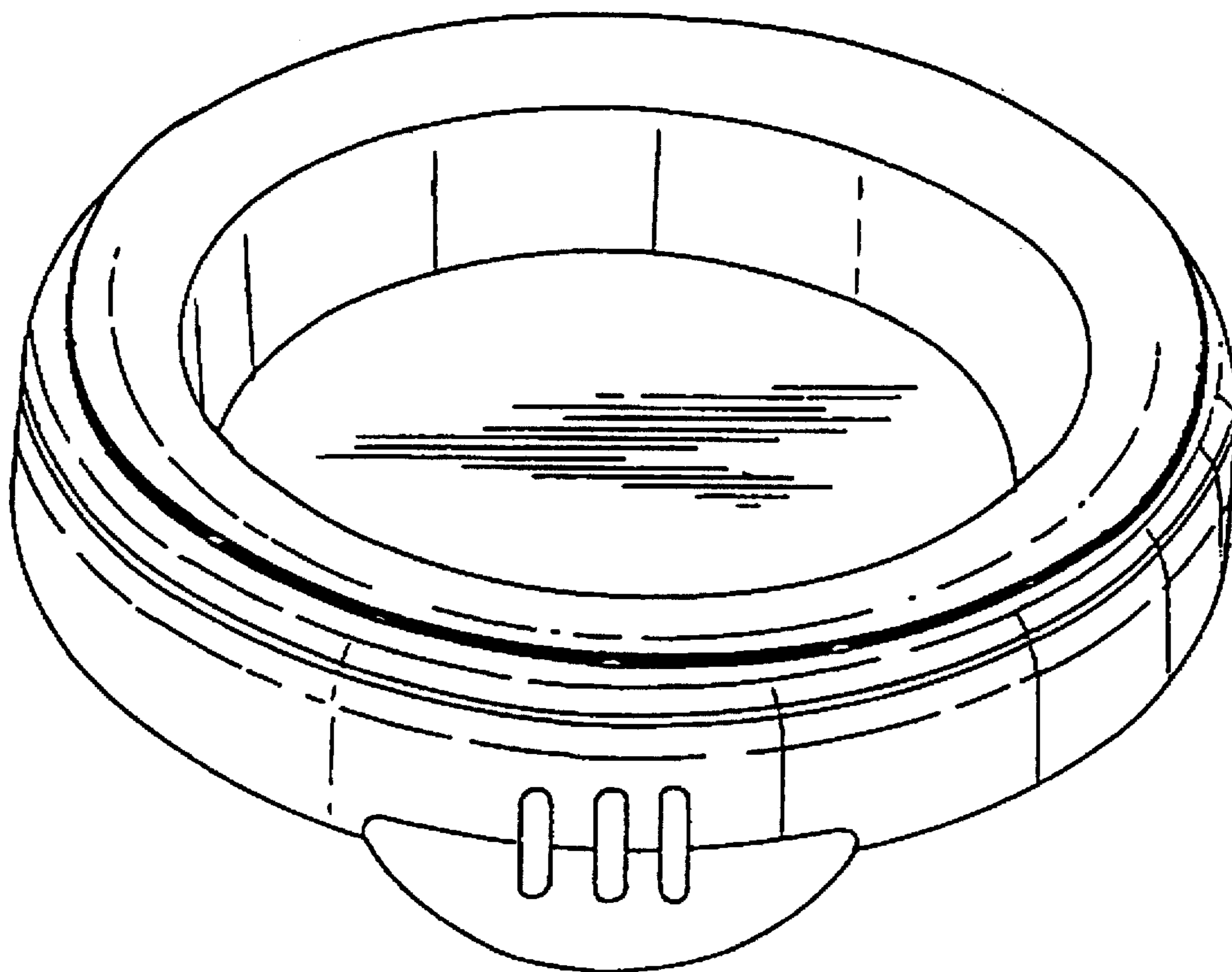
FIG. 1 is a top and front perspective view of a closure showing my new design;  
FIG. 2 is a top view thereof, shown at reduced scale;  
FIG. 3 is a front view thereof, shown at a reduced scale, the rear view (not shown) being substantially the same except for omission of the tab; and,  
FIG. 4 is a left side view thereof, shown at a reduced scale; the right side view being a mirror image.

[56] References Cited

U.S. PATENT DOCUMENTS

D. 320,559	10/1991	Olson	.....	D9/454 X
D. 335,424	5/1993	Chang	.....	D7/391

1 Claim, 1 Drawing Sheet



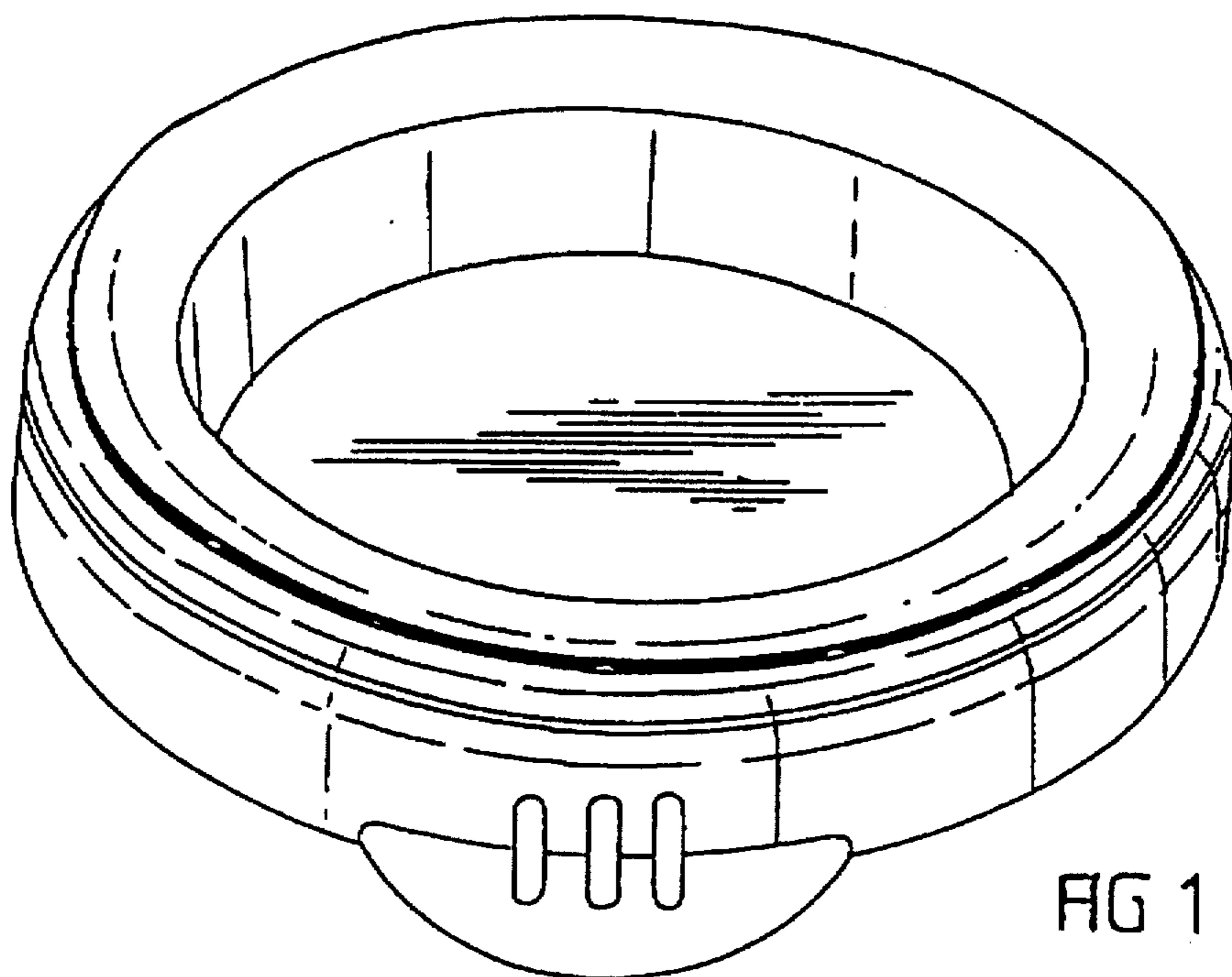


FIG 1

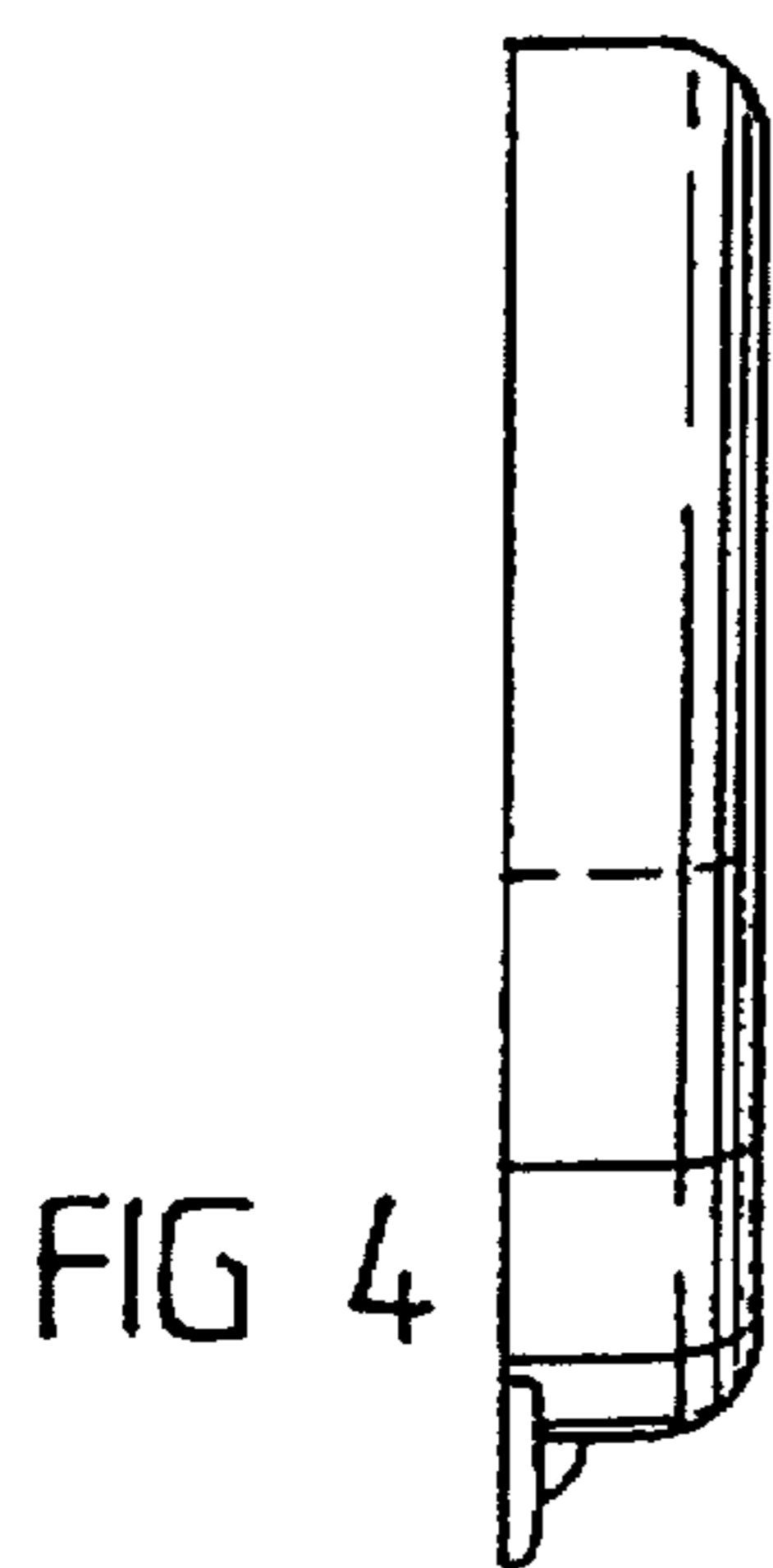


FIG 4

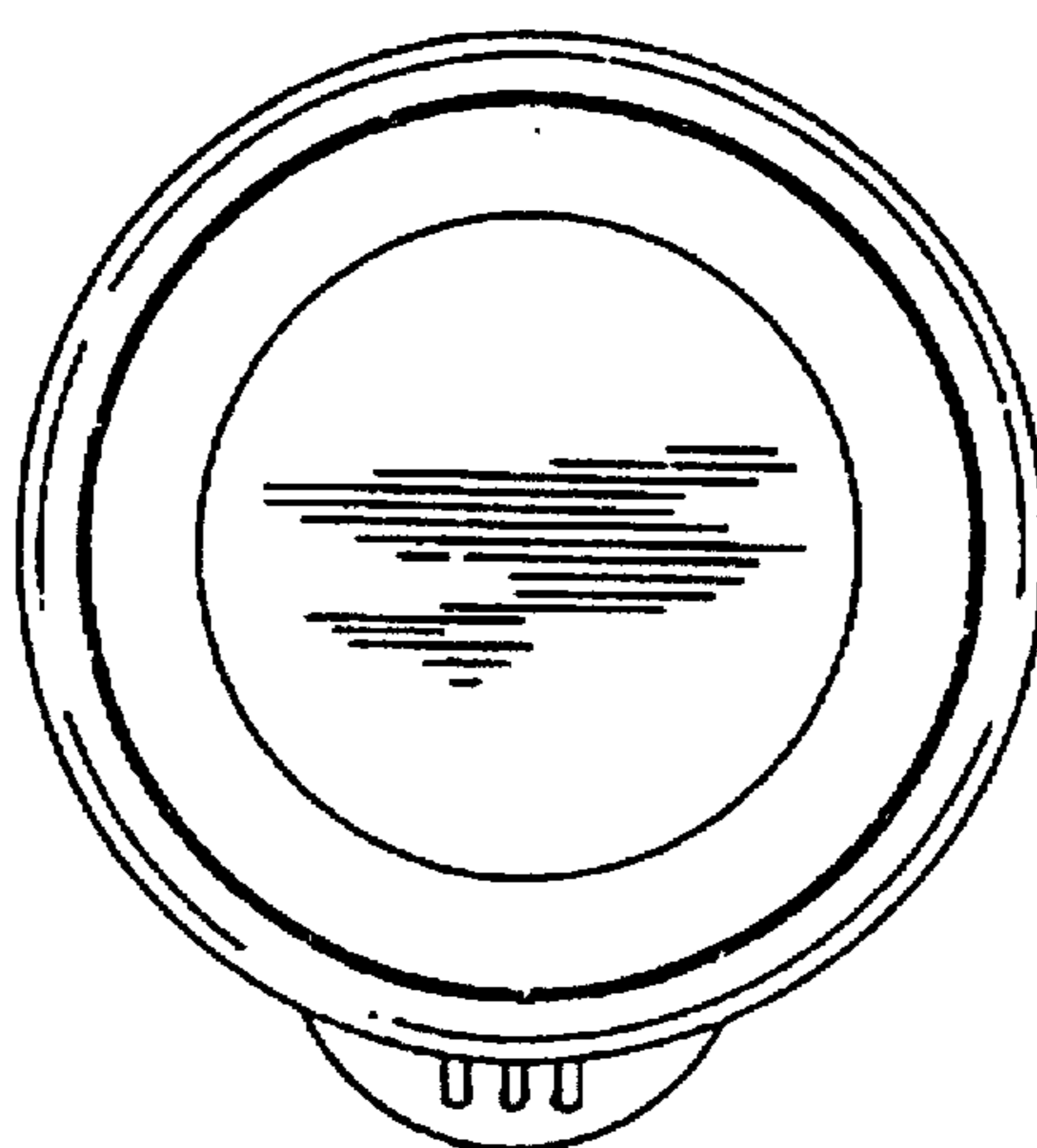


FIG 2

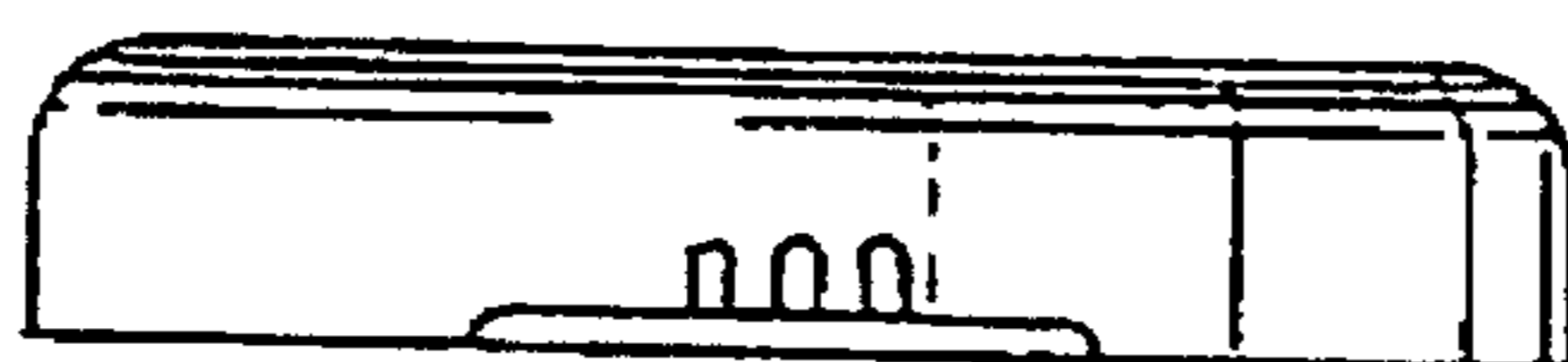


FIG 3