



US00D384281S

United States Patent [19] Wong

[11] Patent Number: **Des. 384,281**
[45] Date of Patent: ****Sep. 30, 1997**

[54] **CLOSURE**

[75] Inventor: **Kon Euan Wong**, Box Hill, Australia

[73] Assignee: **Bayly Design Associates Pty. Ltd.**,
Victoria, Australia

[**] Term: **14 Years**

[21] Appl. No.: **40,348**

[22] Filed: **Jun. 15, 1995**

[30] **Foreign Application Priority Data**

Dec. 16, 1994 [AU] Australia 4199/94

[51] LOC (6) CL. **09-07**

[52] U.S. CL. **D9/443; D9/445**

[58] Field of Search D9/434-5, 443,
D9/454; D7/300.1, 391; D24/197-199;
215/256; 220/270; 222/541.1, 541.5, 541.6,
541.9

[56] **References Cited**

U.S. PATENT DOCUMENTS

D. 320,559 10/1991 Olson D9/454 X
D. 335,424 5/1993 Chang D7/391
D. 345,073 3/1994 Carlson D7/300.1

D. 359,451 6/1995 Dees D9/454 X
2,387,573 10/1945 Ganson D24/197 X
4,828,137 5/1989 Batson et al. 220/270
5,207,783 5/1993 Burton 215/256
5,373,955 12/1994 Marino 215/256

FOREIGN PATENT DOCUMENTS

2255083 10/1992 United Kingdom 215/256

Primary Examiner—James Gandy
Assistant Examiner—Cathron B. Matta
Attorney, Agent, or Firm—Ladas & Parry

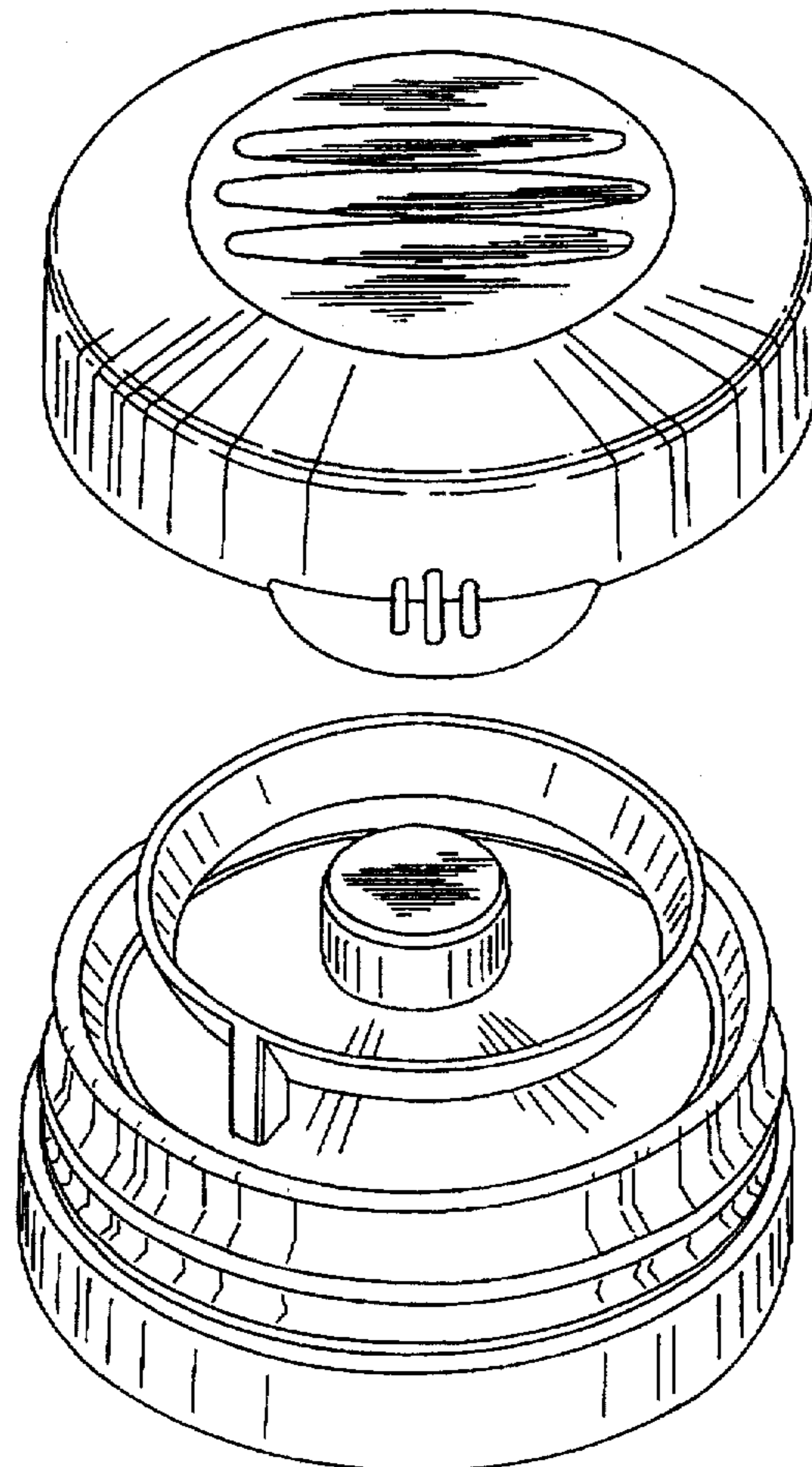
[57] **CLAIM**

The ornamental design for closure, as shown.

DESCRIPTION

FIG. 1 is a top and front perspective view of a closure showing my new design;
FIG. 2 is a top plan view thereof, shown at a reduced scale;
FIG. 3 is a front view thereof, shown at a reduced scale, the rear view (not shown) being substantially the same except for omission of the tab;
FIG. 4 is a right side view thereof, shown at a reduced scale;
FIG. 5 is a left side view thereof, shown at a reduced scale;
and,
FIG. 6 is a top and front side exploded perspective view thereof.

1 Claim, 2 Drawing Sheets



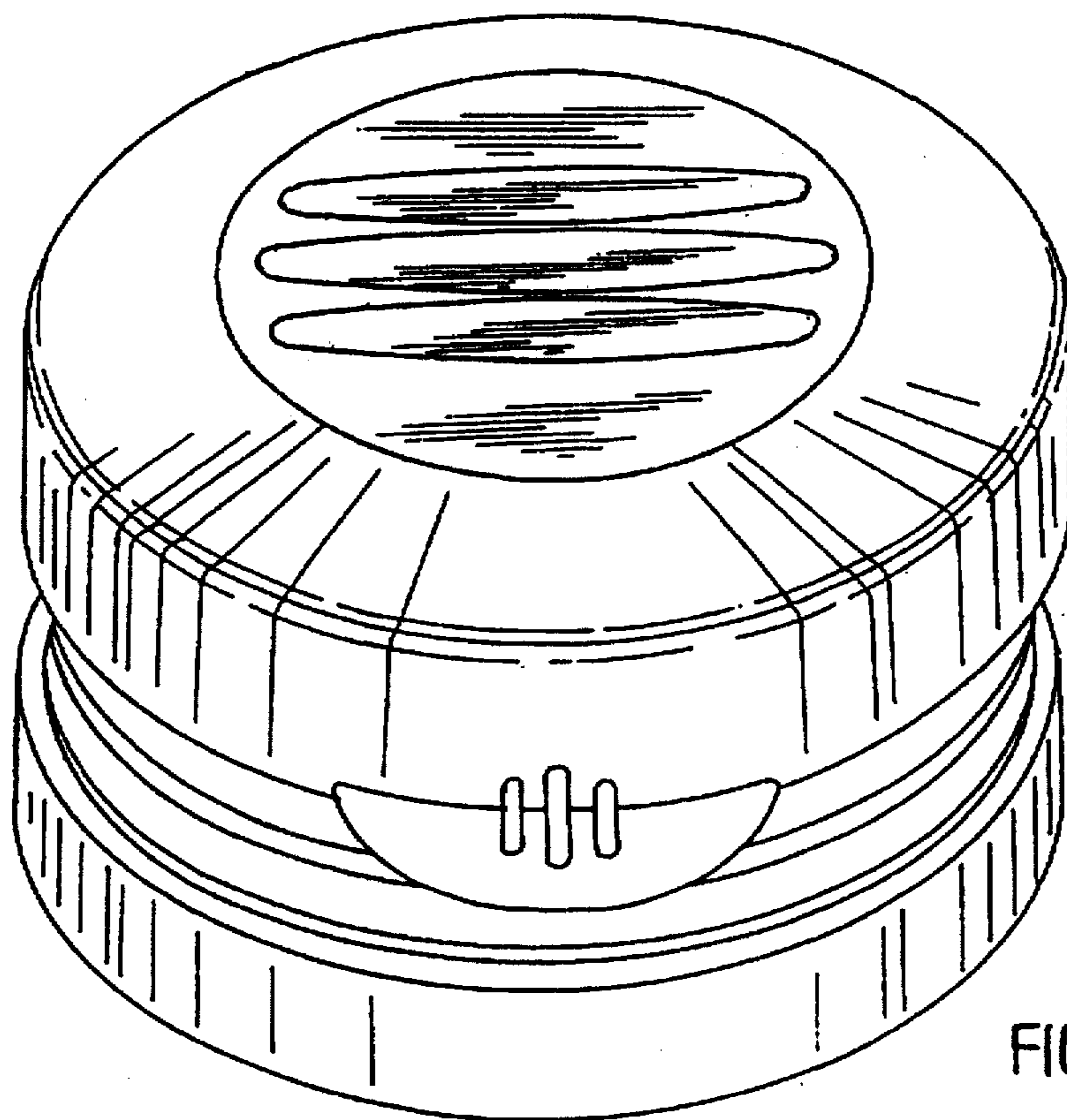


FIG 1

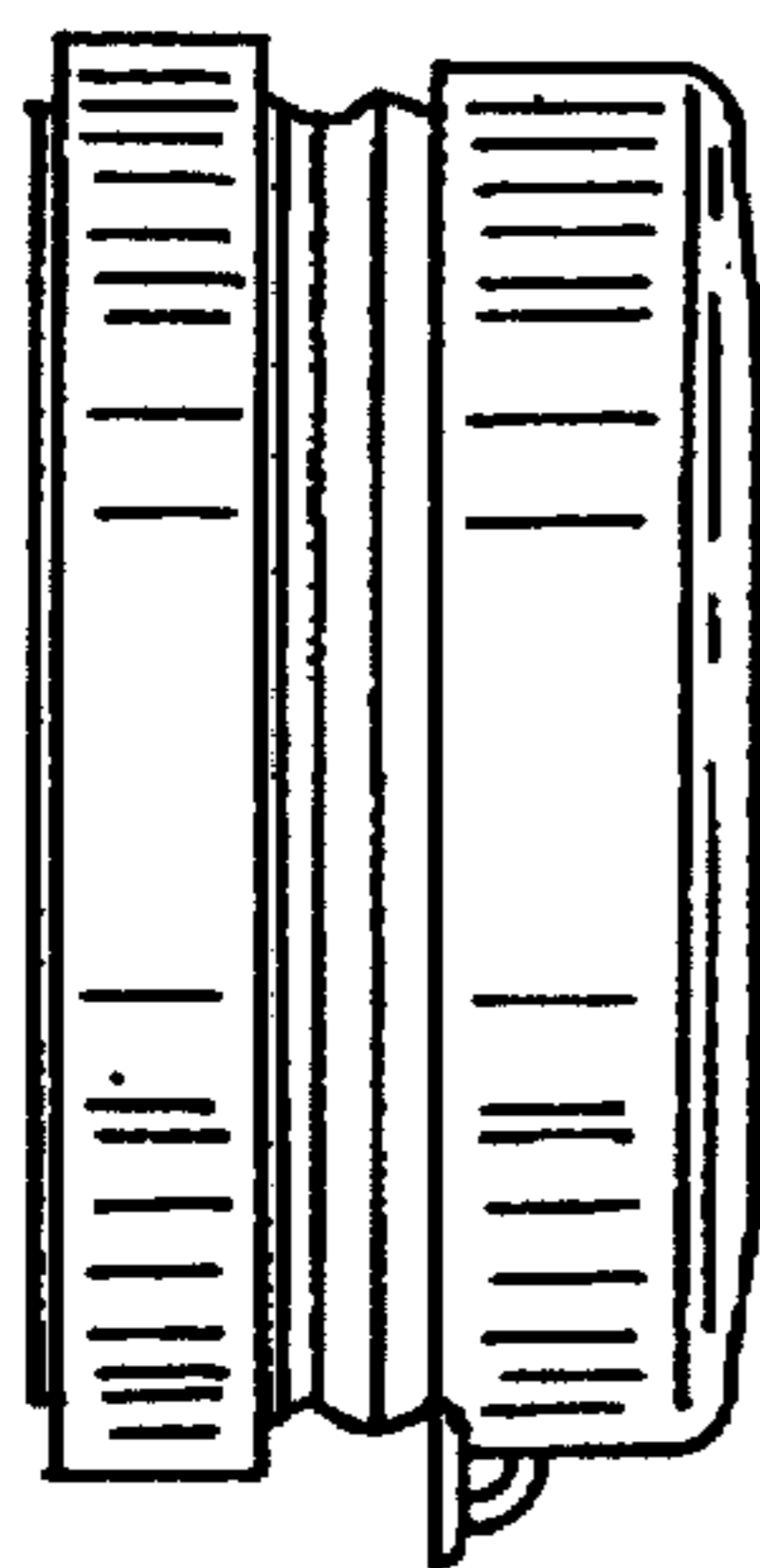


FIG 5

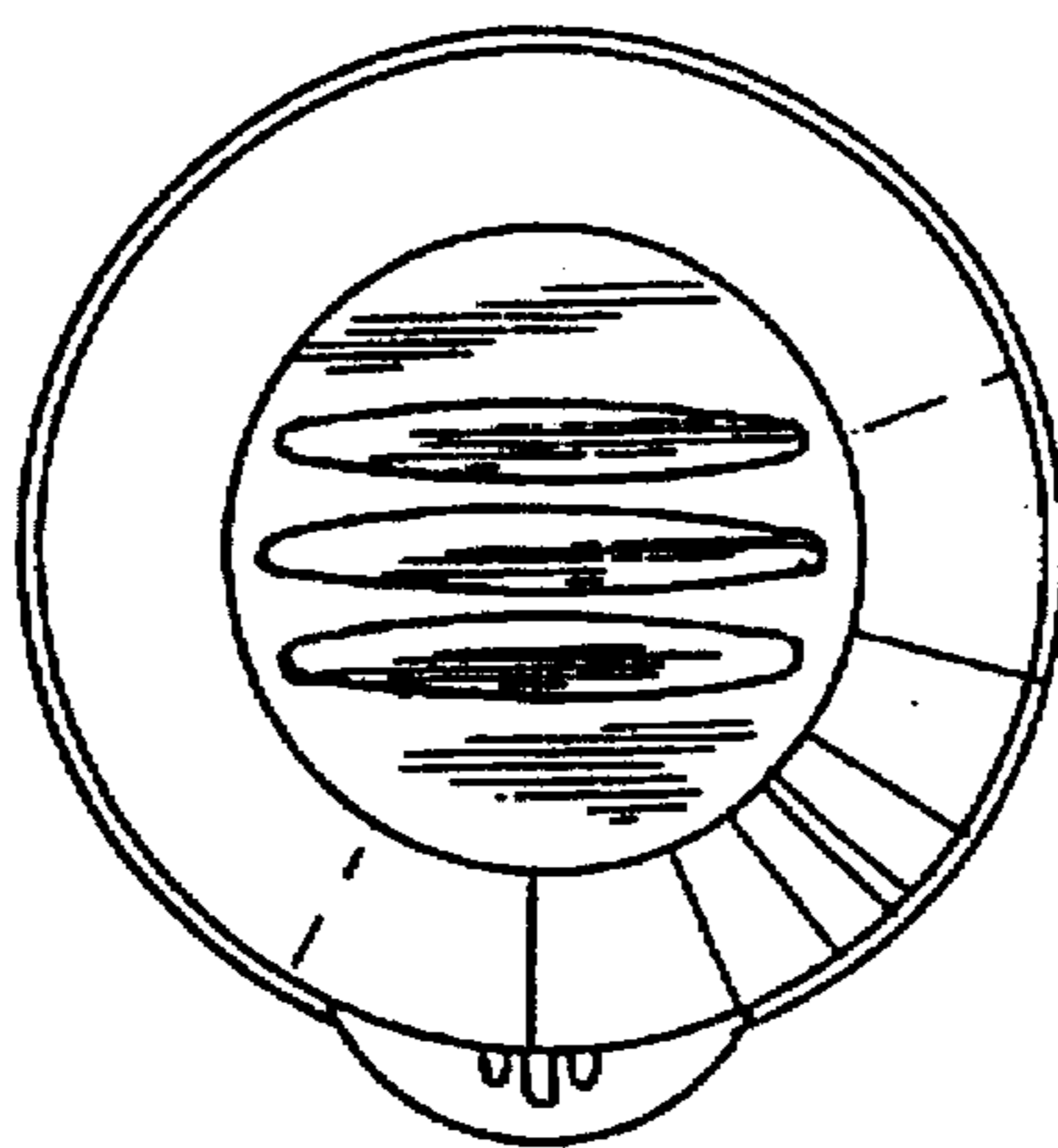


FIG 2

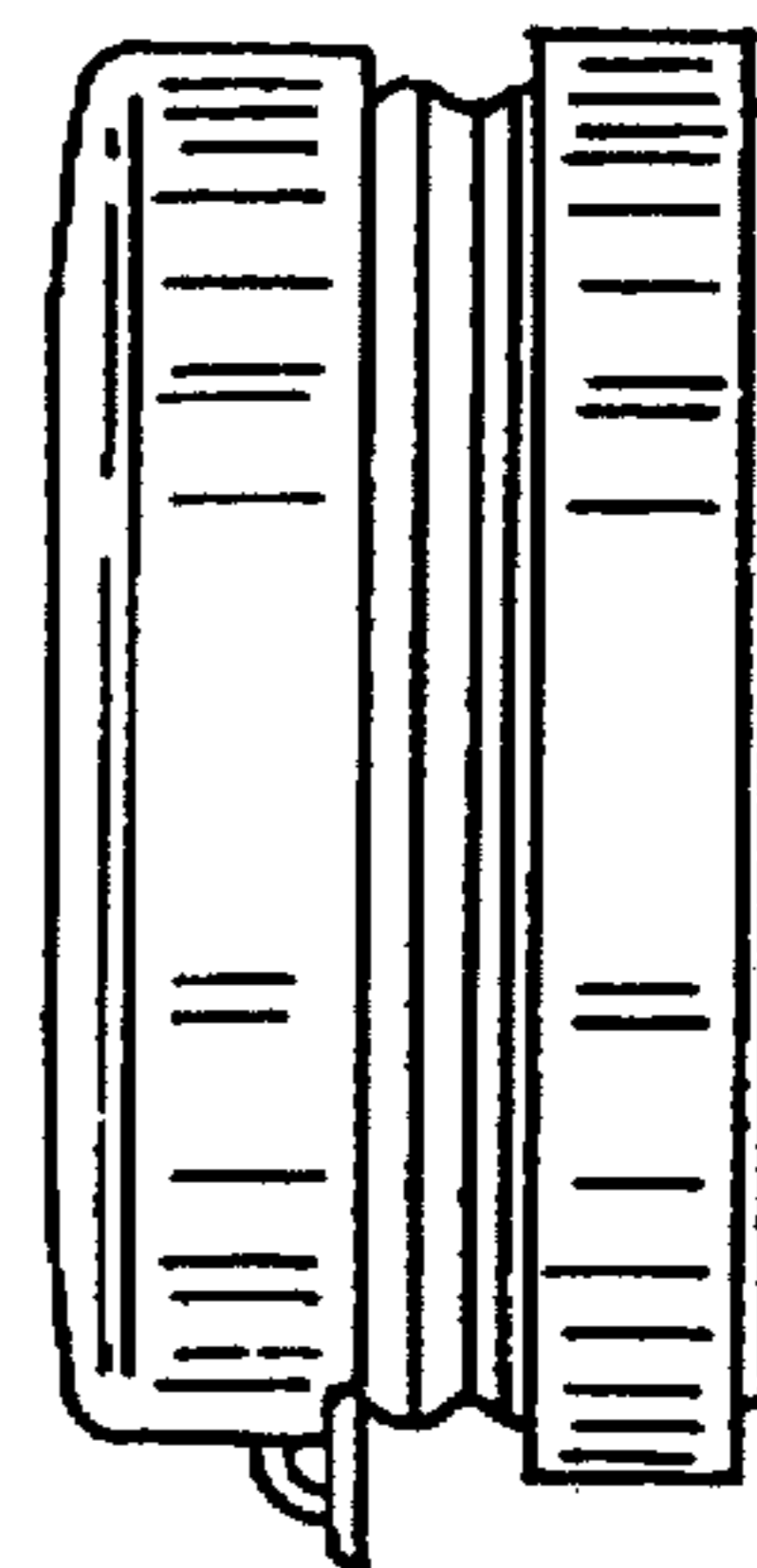


FIG 4

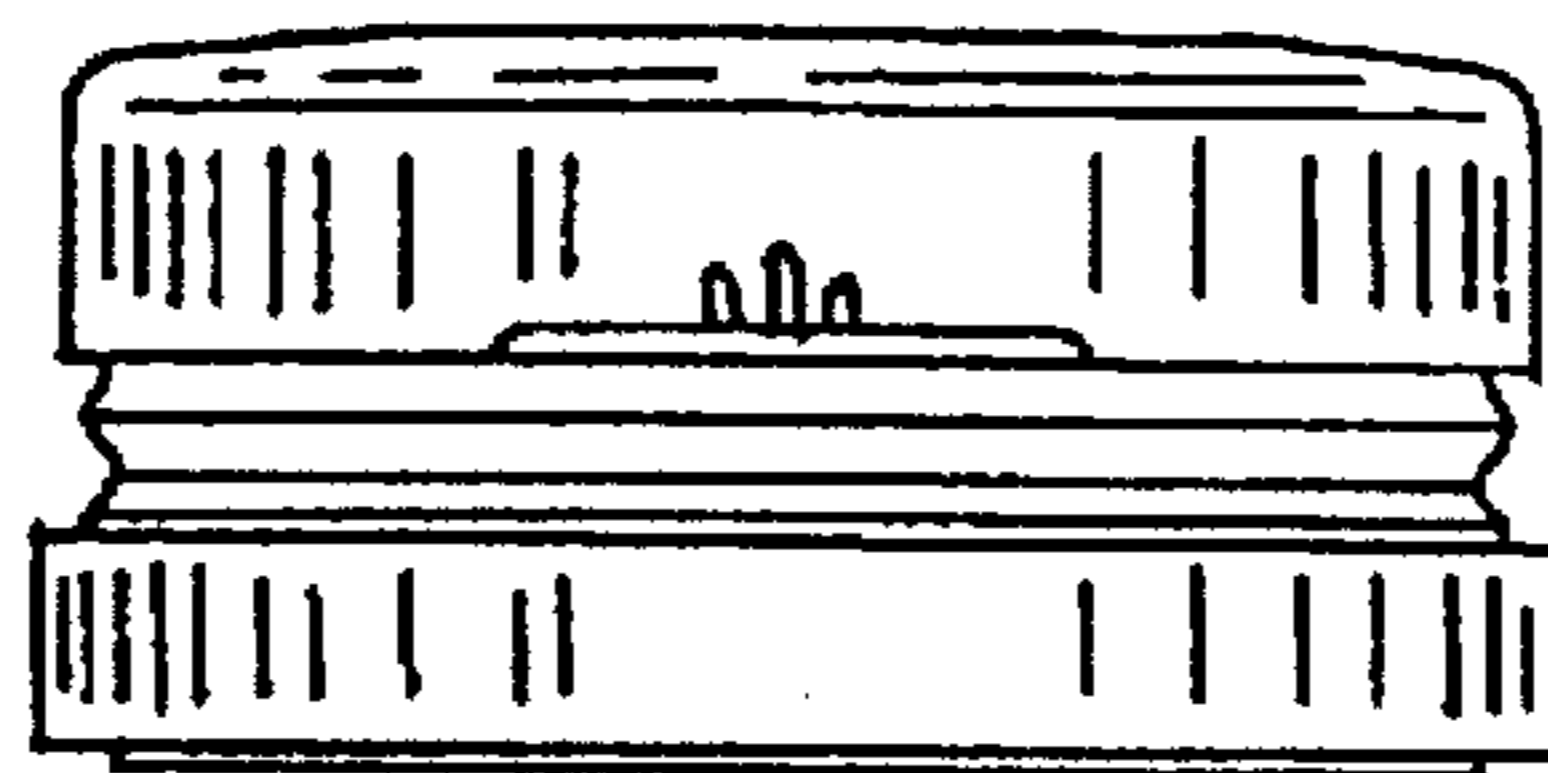


FIG 3

FIG 6

