

US00D384262S

United States Patent [19]

Hayakawa et al.

[11] Patent Number: Des. 384,262

[45] Date of Patent: **Sep. 30, 1997

[54] PORTABLE ELECTRIC SCREWDRIVER

[75] Inventors: Naohiro Hayakawa; Shingo Umemura, both of Anjo, Japan

[73] Assignee: Makita Corporation, Anjo, Japan

[**] Term: 14 Years

[21] Appl. No.: 57,260

[22] Filed: Jul. 22, 1996

[30] Foreign Application Priority Data

Jan. 26, 1996 [JP] Japan 8-1847

[51] LOC (6) CL 08-04

[52] U.S. CL D8/68

[58] Field of Search D8/68; 81/54, 81/57, 57.11, 57.13, 57.14, 57.37, 57.43, 60; 173/48, 90, 91, 93, 96, 170, 216, 217; 408/124, 125

[56] References Cited

U.S. PATENT DOCUMENTS

- D. 295,141 4/1988 Hoshino et al. D8/68
- D. 295,364 4/1988 Hoshino et al. D8/68
- D. 300,718 4/1989 Fushiya et al. D8/68
- D. 301,114 5/1989 Fushiya et al. D8/68
- D. 314,498 2/1991 Hoshino et al. D8/68
- D. 339,727 9/1993 Kikuchi D8/68

- D. 350,267 9/1994 Tozawa D8/68
- 5,360,073 11/1994 Akazawa 173/217 X

FOREIGN PATENT DOCUMENTS

D. 536433 5/1955 Japan .

OTHER PUBLICATIONS

1995 Makita Products Catalogue pp. 9, 10, 12 and 19 displaying screwdrivers and drills marked by yellow fluorescent pen.

Primary Examiner—Antoine Duval Davis
Attorney, Agent, or Firm—Lahive & Cockfield, LLP; W. Hugo Liepmann; Anthony A. Laurentano

[57] CLAIM

The ornamental design for a portable electric screwdriver, as shown and described.

DESCRIPTION

FIG. 1 is a perspective view of a portable electric screwdriver showing my new design;
FIG. 2 is a right side elevational view thereof;
FIG. 3 is a left side elevational view thereof;
FIG. 4 is a front elevational view thereof;
FIG. 5 is a rear elevational view thereof;
FIG. 6 is top plan view thereof; and,
FIG. 7 is bottom plan view thereof.

1 Claim, 5 Drawing Sheets

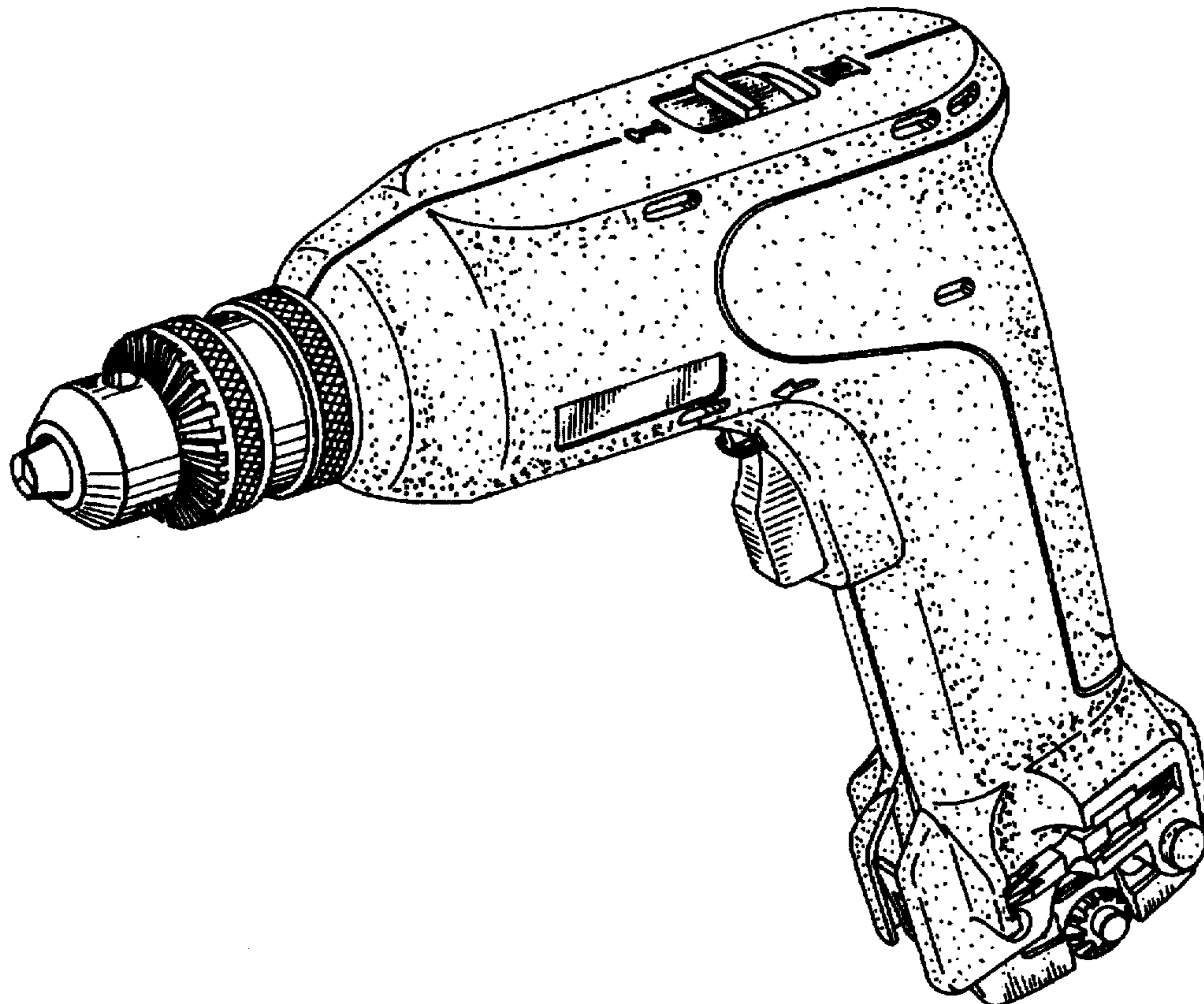


FIG. 1

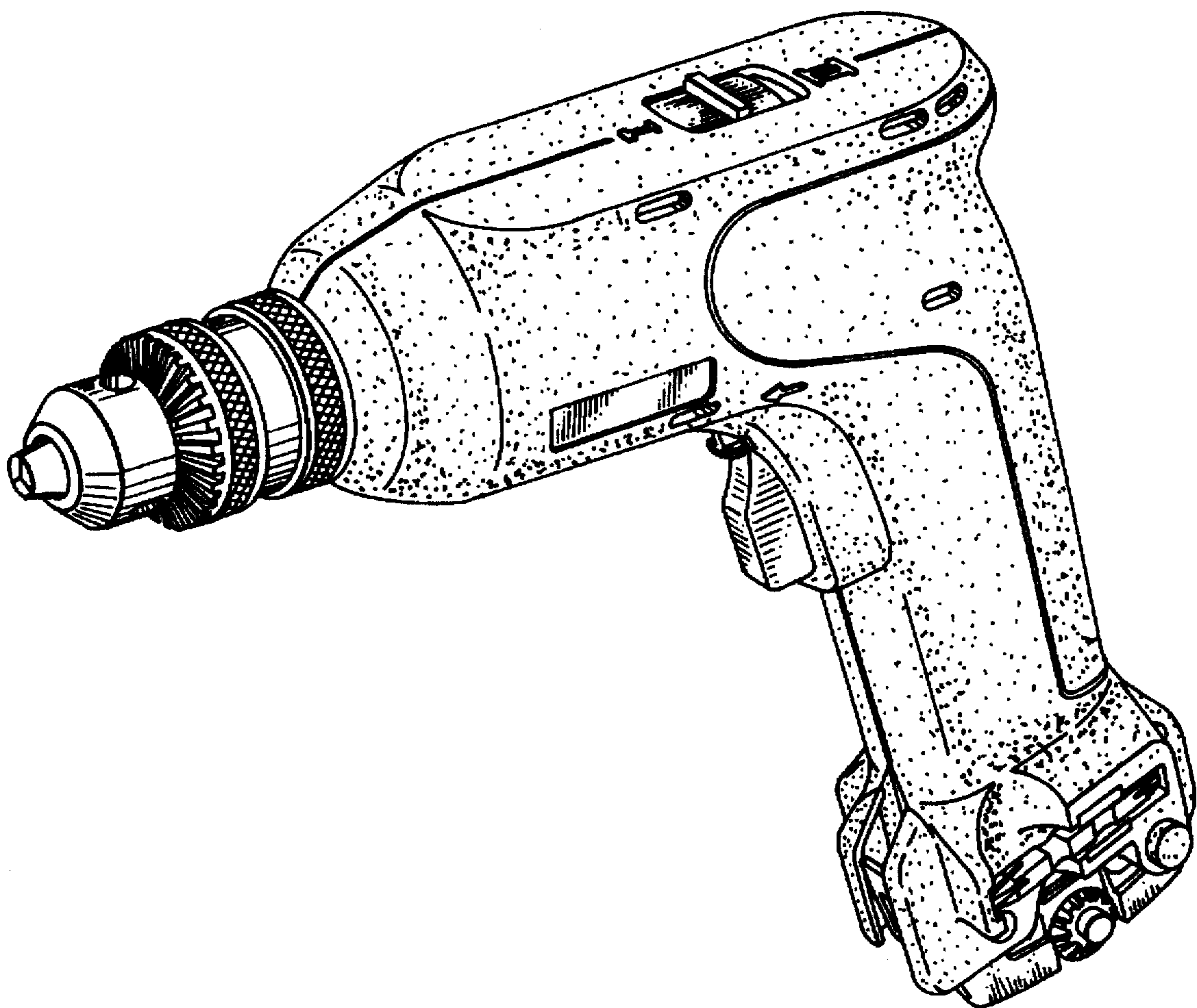


FIG. 2

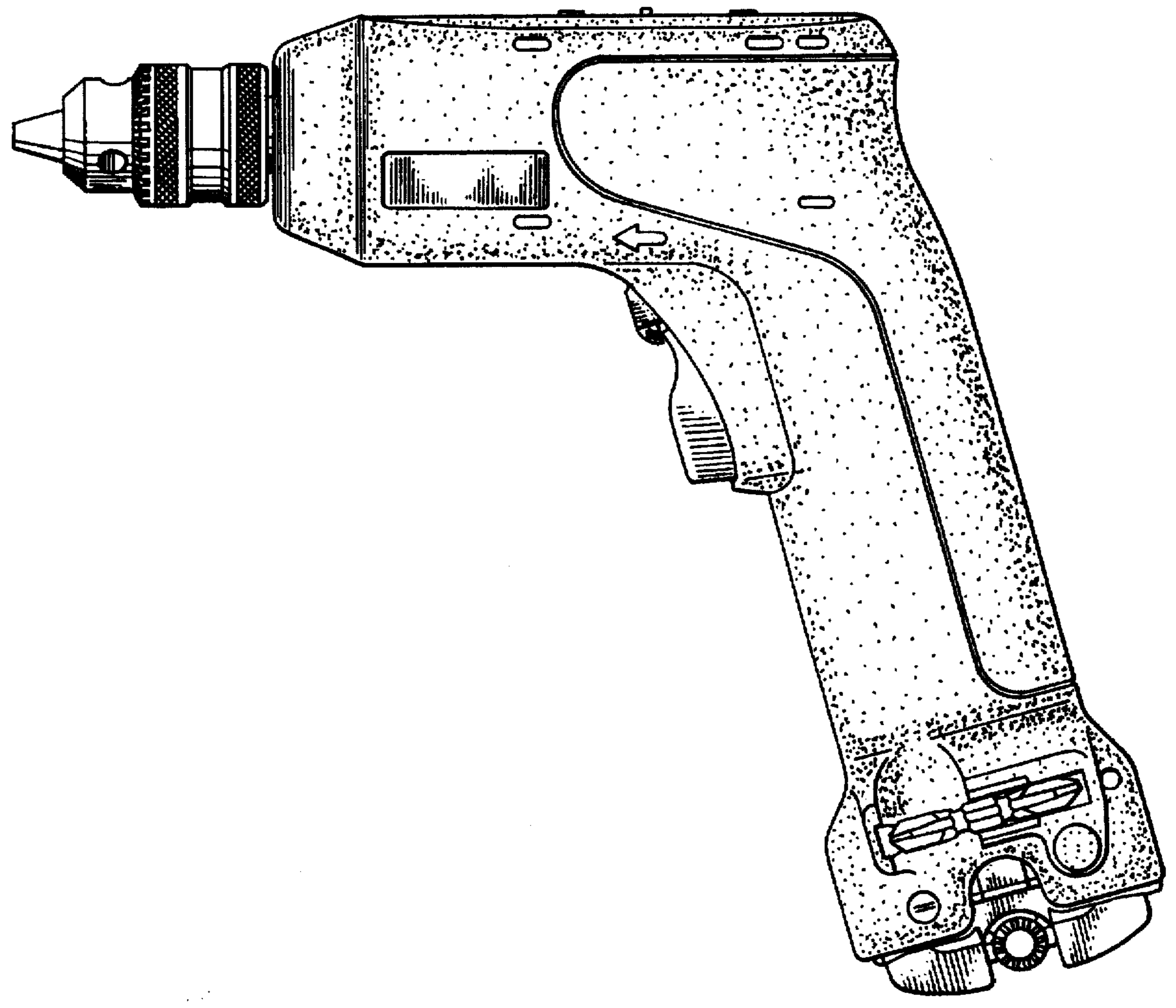


FIG. 3

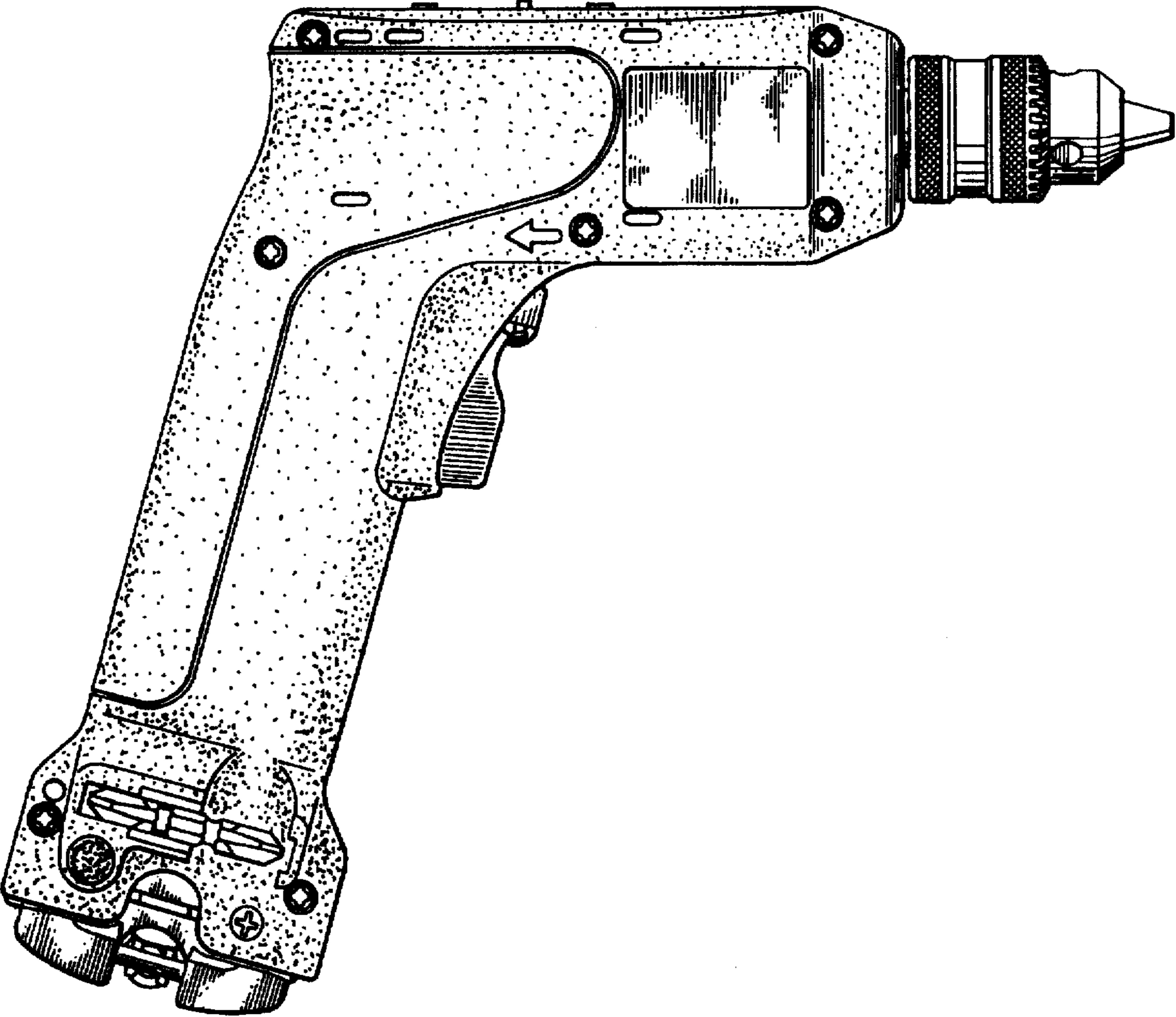


FIG. 4

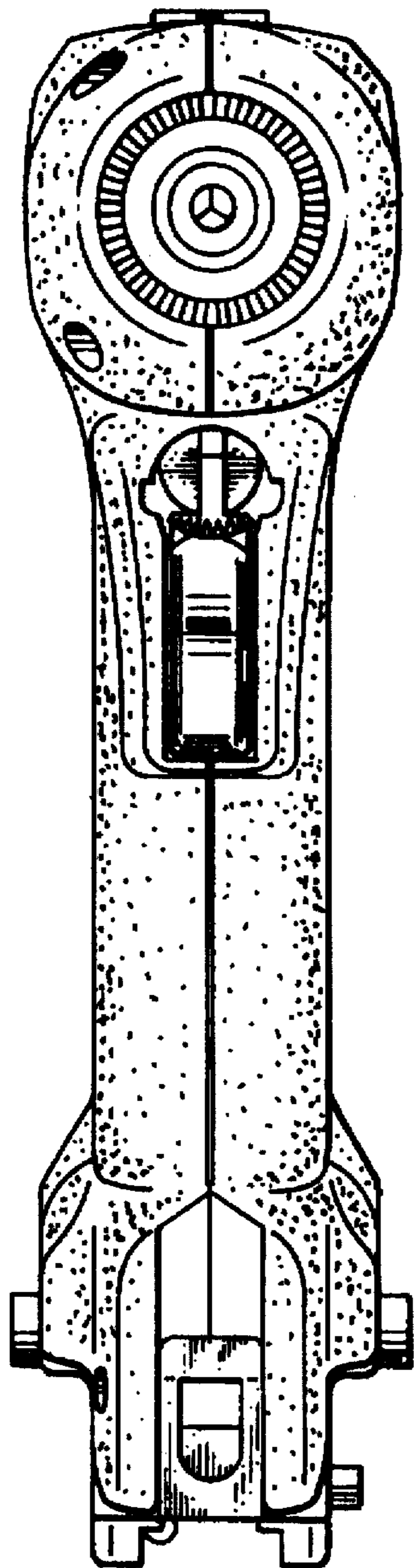


FIG. 5

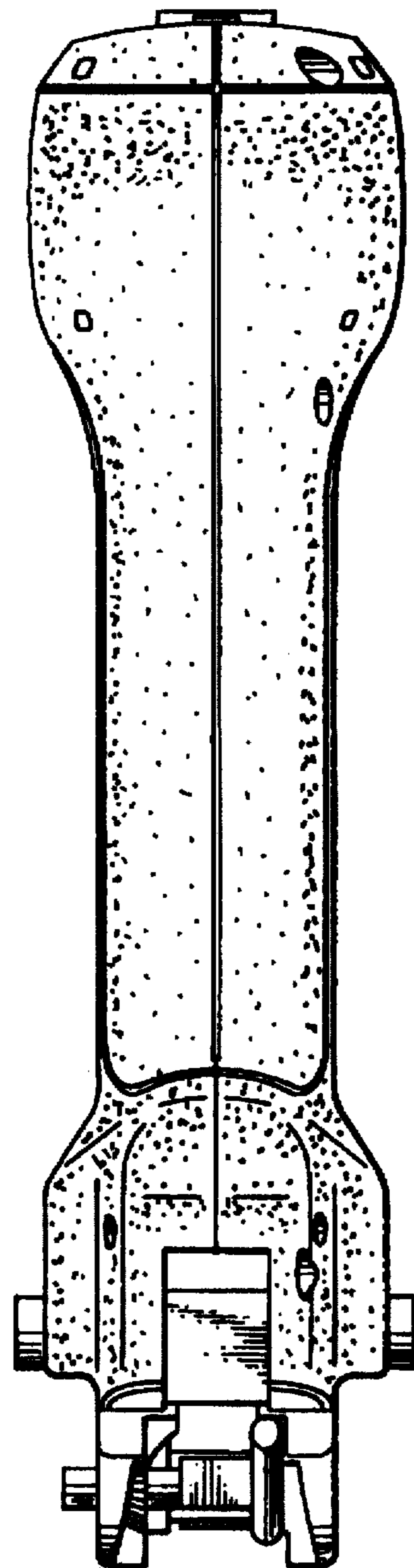


FIG. 6

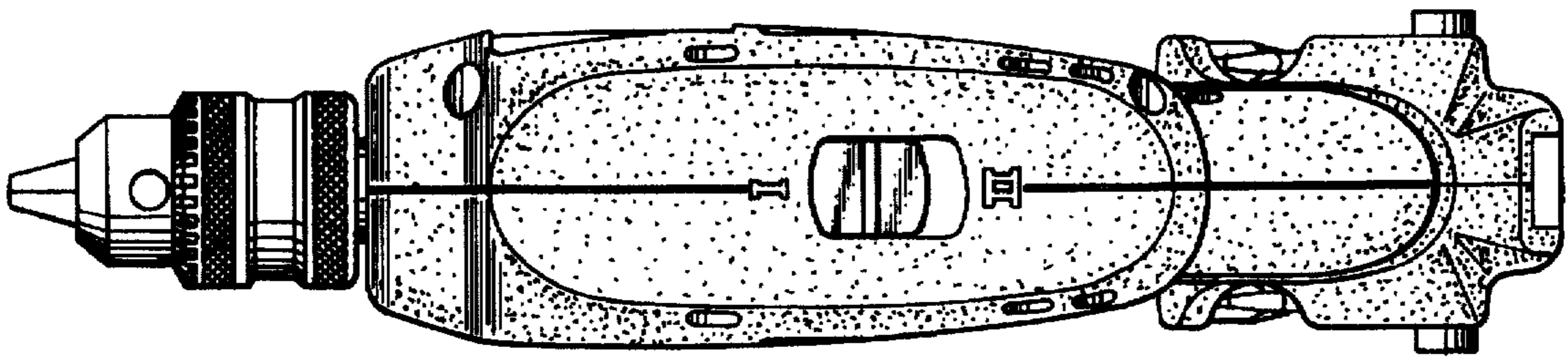


FIG. 7

