



US00D384261S

United States Patent [19]

Hayakawa et al.

[11] Patent Number: Des. 384,261

[45] Date of Patent: **Sep. 30, 1997

[54] **PORTABLE ELECTRIC SCREWDRIVER**

[75] Inventors: **Naohiro Hayakawa; Shingo Umemura**, both of Anjo, Japan

[73] Assignee: **Makita Corporation**, Anjo, Japan

[**] Term: **14 Years**

[21] Appl. No.: **57,259**

[22] Filed: **Jul. 22, 1996**

[30] **Foreign Application Priority Data**

Jan. 26, 1996 [JP] Japan 8-1848

[51] LOC (6) Cl. **08-04**

[52] U.S. Cl. **D8/68**

[58] Field of Search D8/68; 81/54, 81/57, 57.11, 57.13, 57.14, 57.37, 57.43, 60; 173/48, 90, 91, 93, 96, 170, 216, 217; 408/124, 125

[56] **References Cited**

U.S. PATENT DOCUMENTS

- D. 295,141 4/1988 Hoshino et al. D8/68
- D. 295,364 4/1988 Hoshino et al. D8/68
- D. 300,718 4/1989 Fushiya et al. D8/68
- D. 301,114 5/1989 Fushiya et al. D8/68
- D. 314,498 2/1991 Hoshino et al. D8/68

- D. 339,727 9/1993 Kikuchi D8/68
- D. 350,267 9/1994 Tozawa D8/68
- 5,360,073 11/1994 Akazawa 173/217 X

OTHER PUBLICATIONS

1995 Makita Products Catalogue pp. 9, 10, 12 and 19 displaying screwdrivers and drills marked by yellow fluorescent pen.

D. 536433 May 1955 Japan.

Primary Examiner—Antoine Duval Davis
Attorney, Agent, or Firm—Lahive & Cockfield, LLP; W. Hugo Liepmann; Anthony A. Laurentano

[57] **CLAIM**

The ornamental design for a portable electric screwdriver, as shown and described.

DESCRIPTION

FIG. 1 is a perspective view of a portable electric screwdriver showing my new design;
FIG. 2 is a right side elevational view thereof;
FIG. 3 is a left side elevational view thereof;
FIG. 4 is a front elevational view thereof;
FIG. 5 is a rear elevational view thereof;
FIG. 6 is a top plan view thereof; and,
FIG. 7 is bottom plan view thereof.

1 Claim, 5 Drawing Sheets

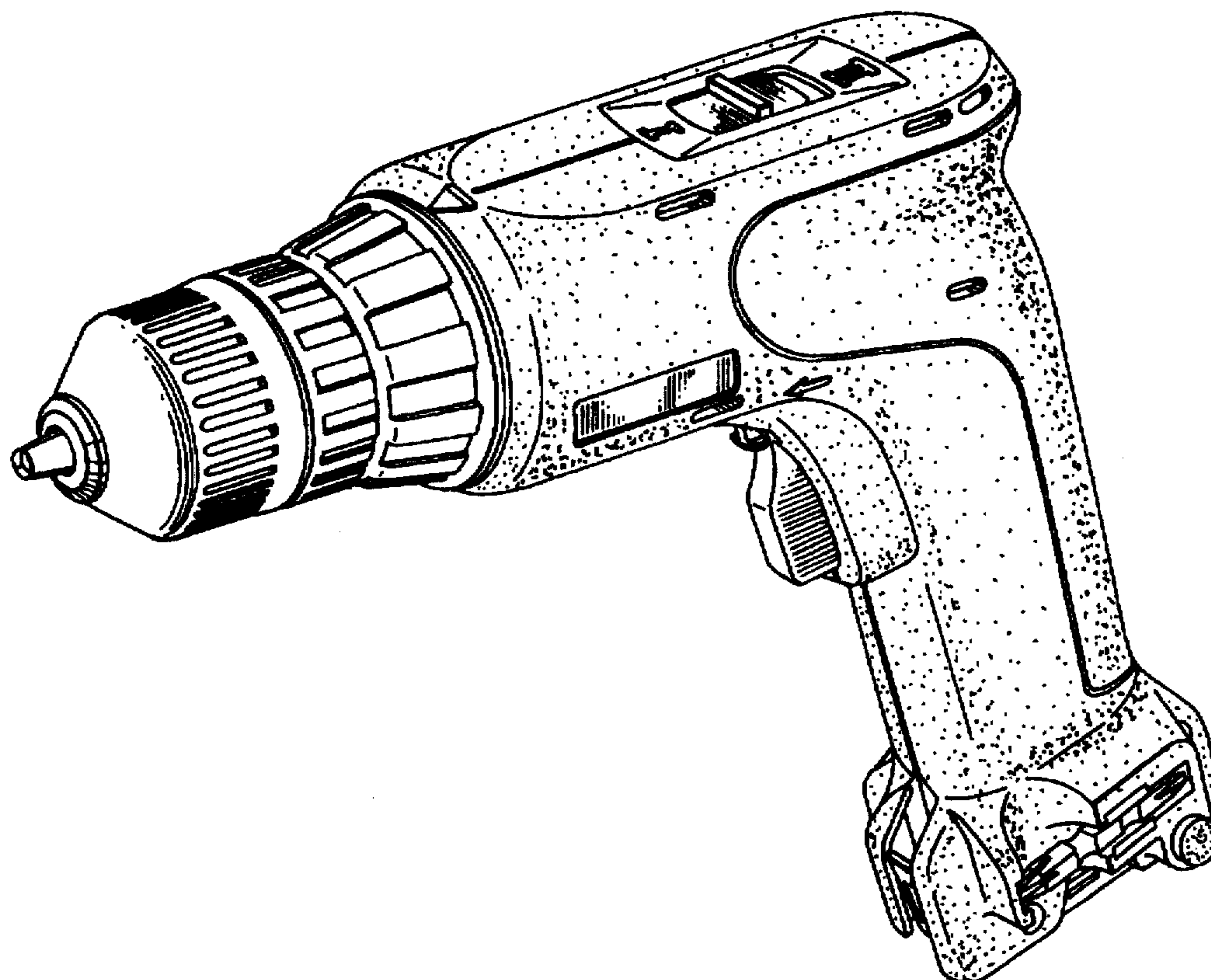


FIG. 1

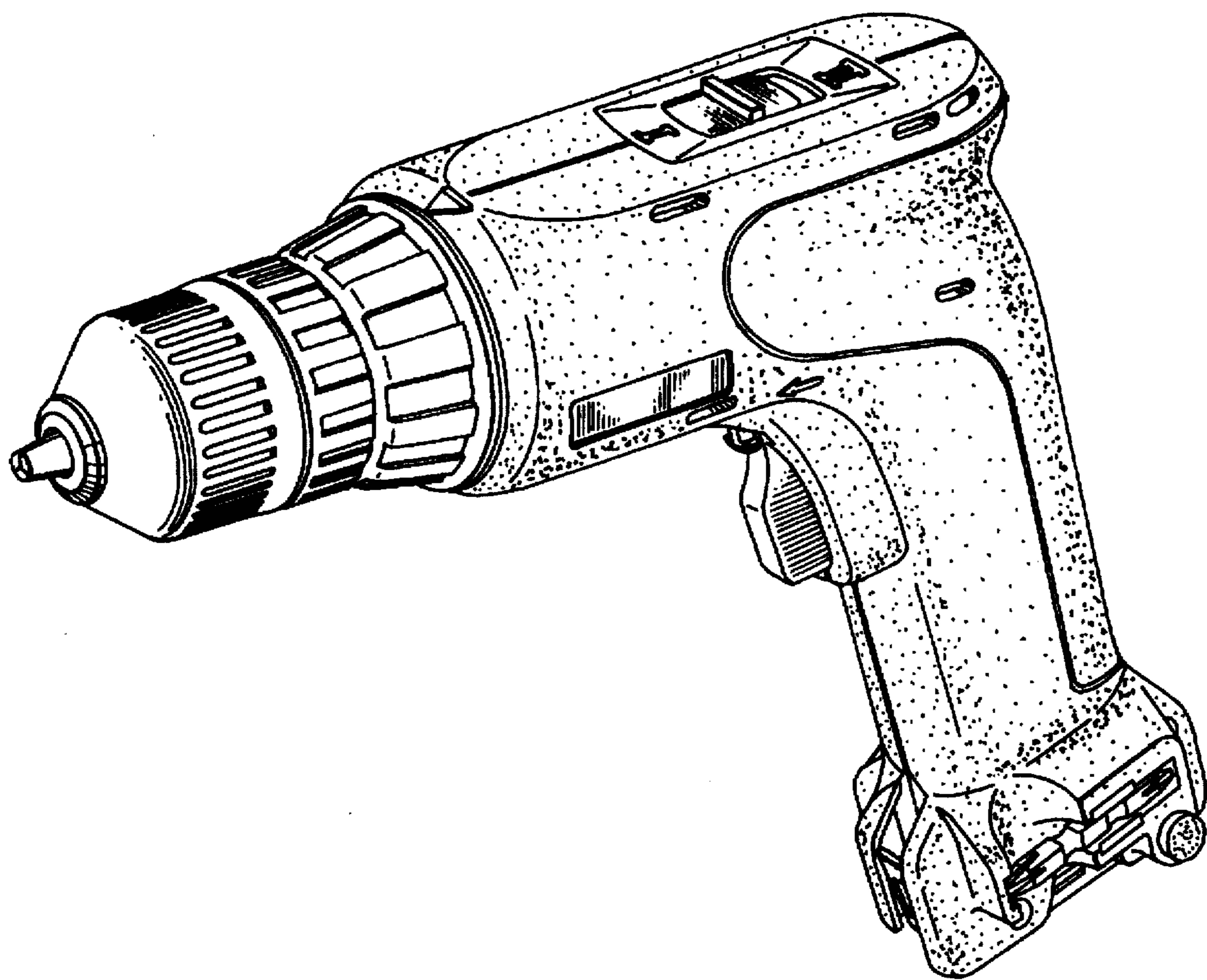


FIG. 2

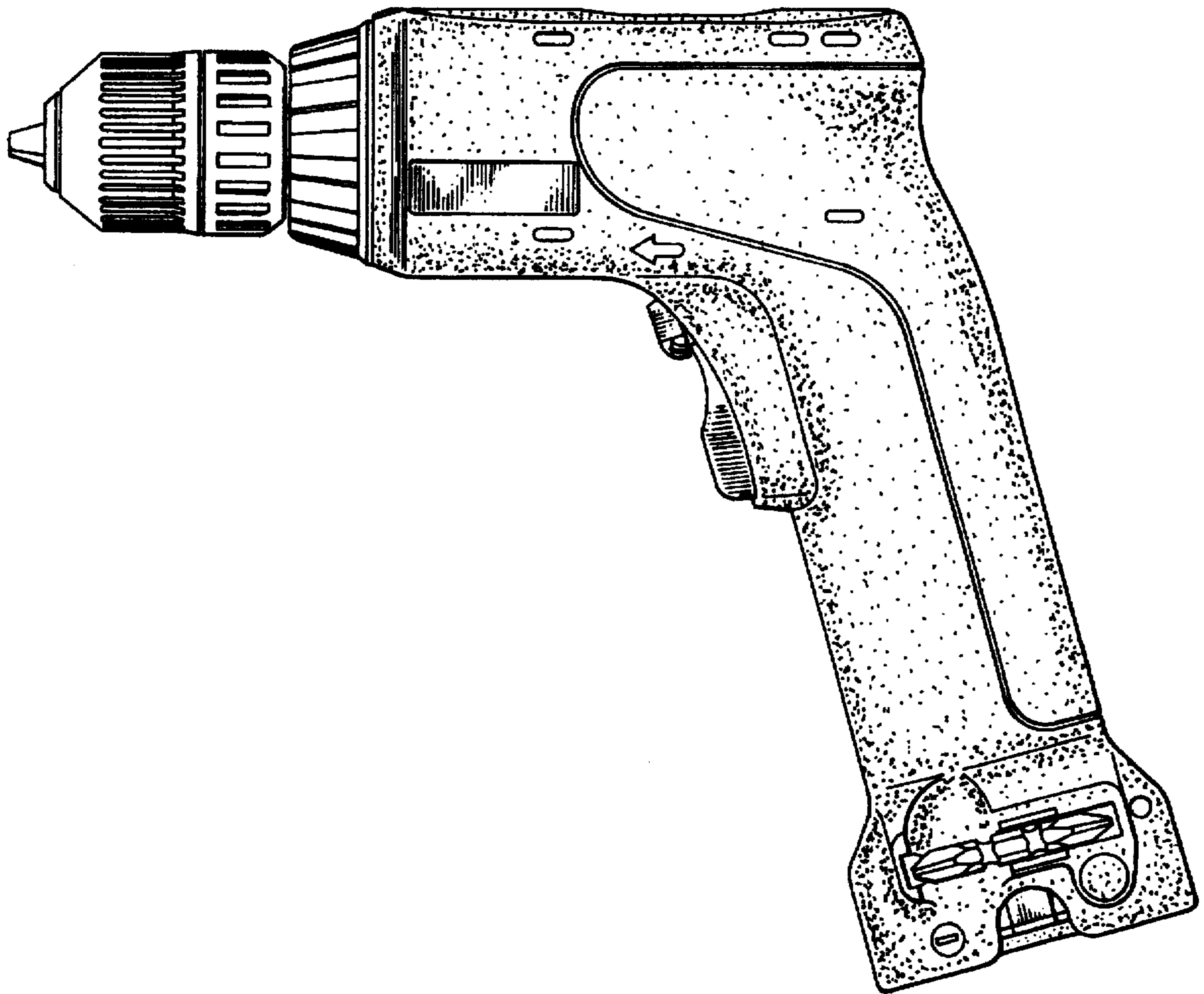


FIG. 3

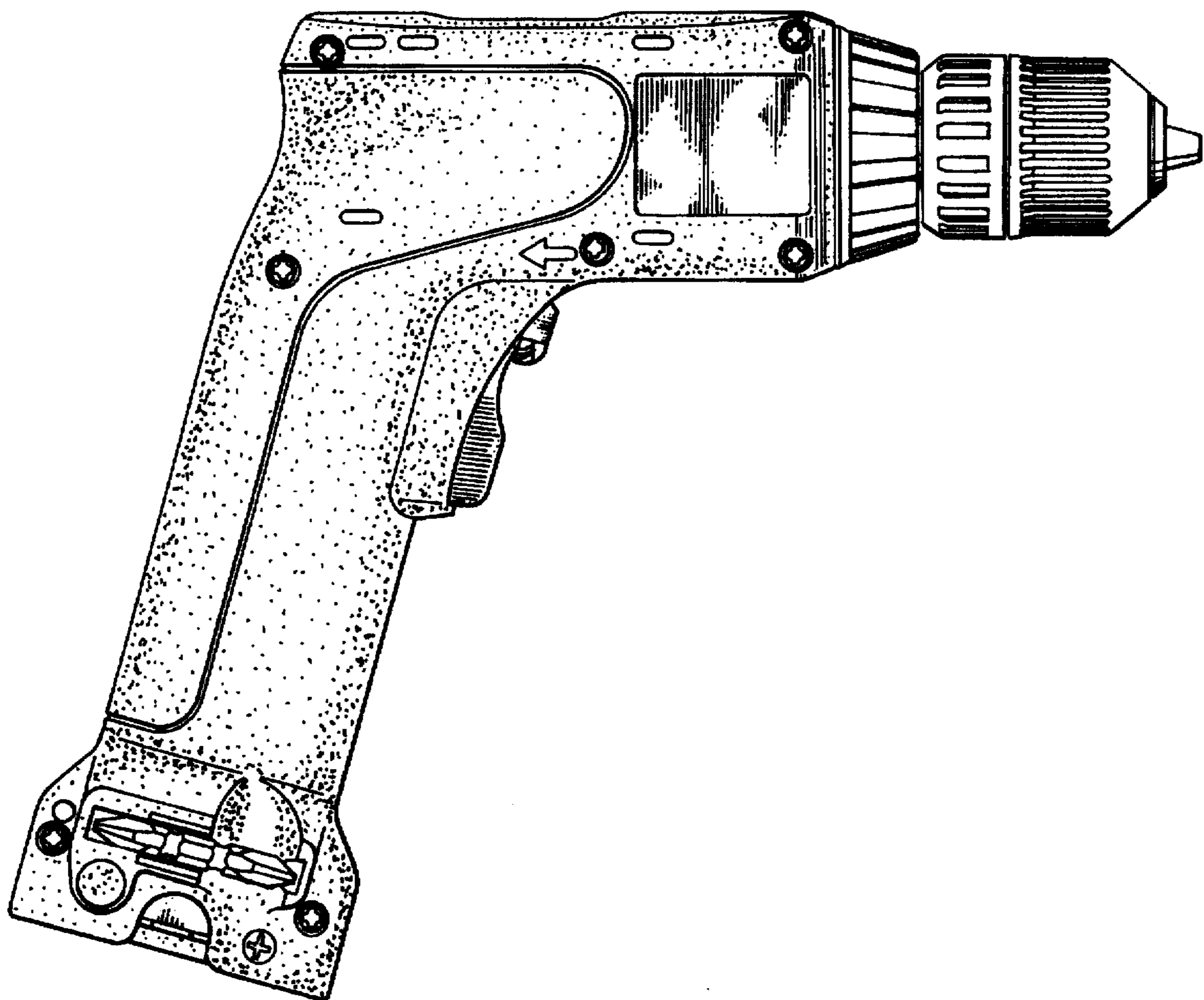


FIG. 4

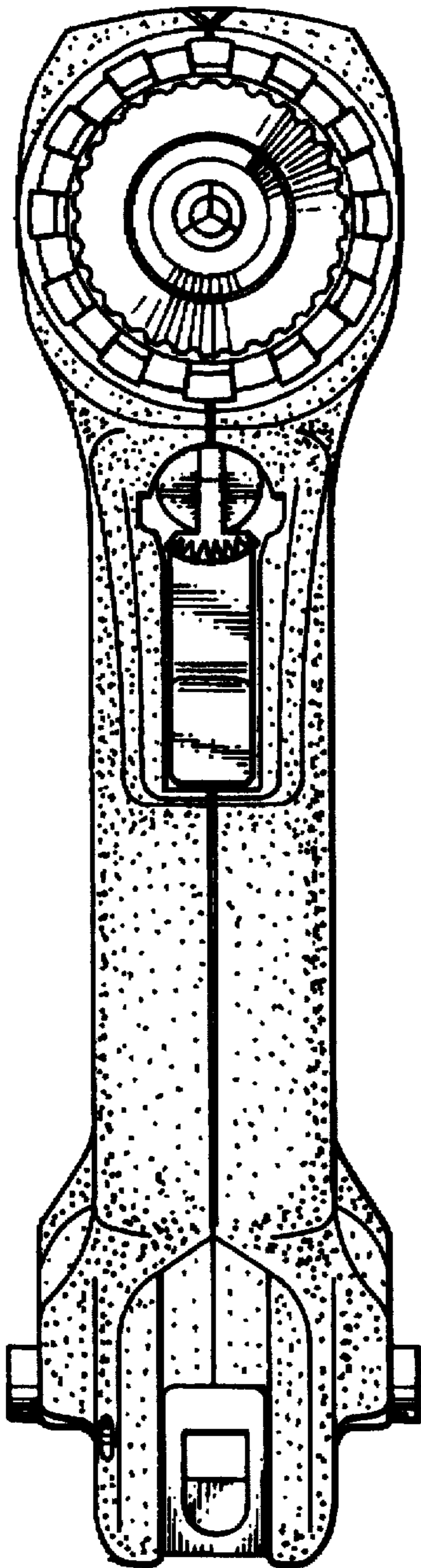


FIG. 5

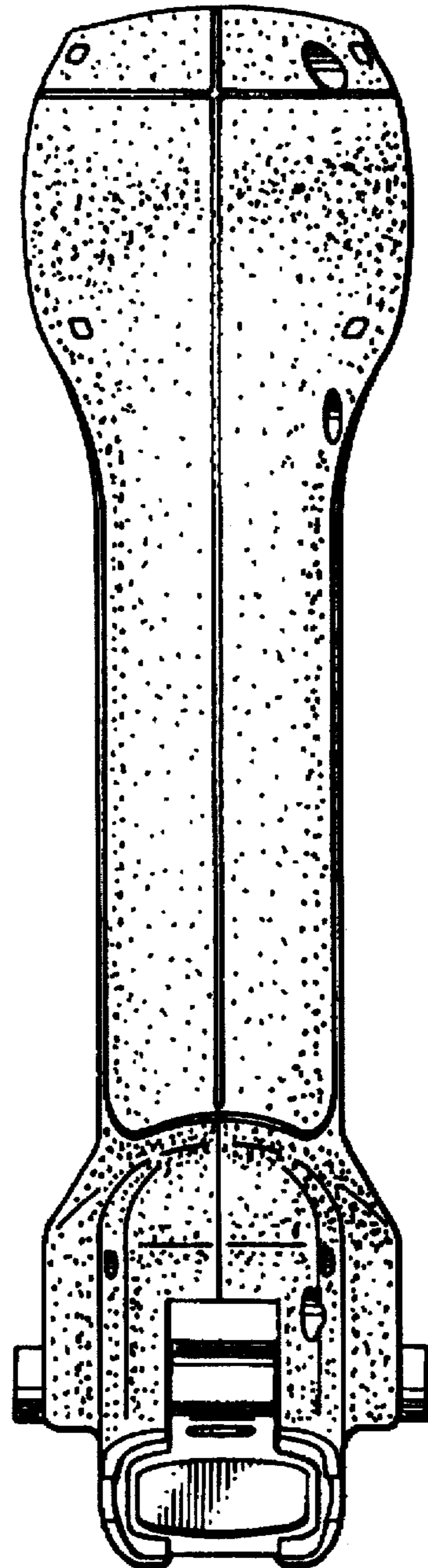


FIG. 6

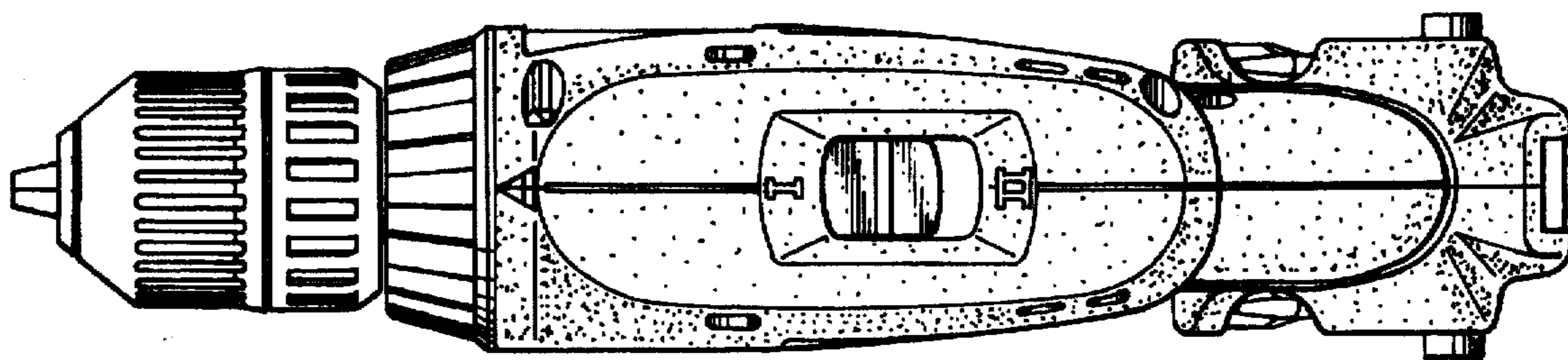


FIG. 7

