



US00D384254S

United States Patent [19]
Johnson

[11] **Patent Number:** **Des. 384,254**
[45] **Date of Patent:** ****Sep. 30, 1997**

[54] **O-RING INSTALLATION TOOL**

4,501,054 2/1985 Morgan 29/235

[76] **Inventor:** **Charles H. Johnson**, 1101 Ayers La.,
Crystal Spring, Miss. 39059

Primary Examiner—Sandra L. Morris
Assistant Examiner—Richelle Shelton
Attorney, Agent, or Firm—Richard C. Litman

[**] **Term:** **14 Years**

[57] **CLAIM**

[21] **Appl. No.:** **47,805**

The ornamental design for an o-ring installation tool, as shown and described.

[22] **Filed:** **Nov. 2, 1995**

DESCRIPTION

[51] **LOC (6) Cl.** **08-05**

[52] **U.S. Cl.** **D8/14; D3/207**

[58] **Field of Search** **D8/14, 51; D3/207;**
81/8.1; 29/235, 280, 451

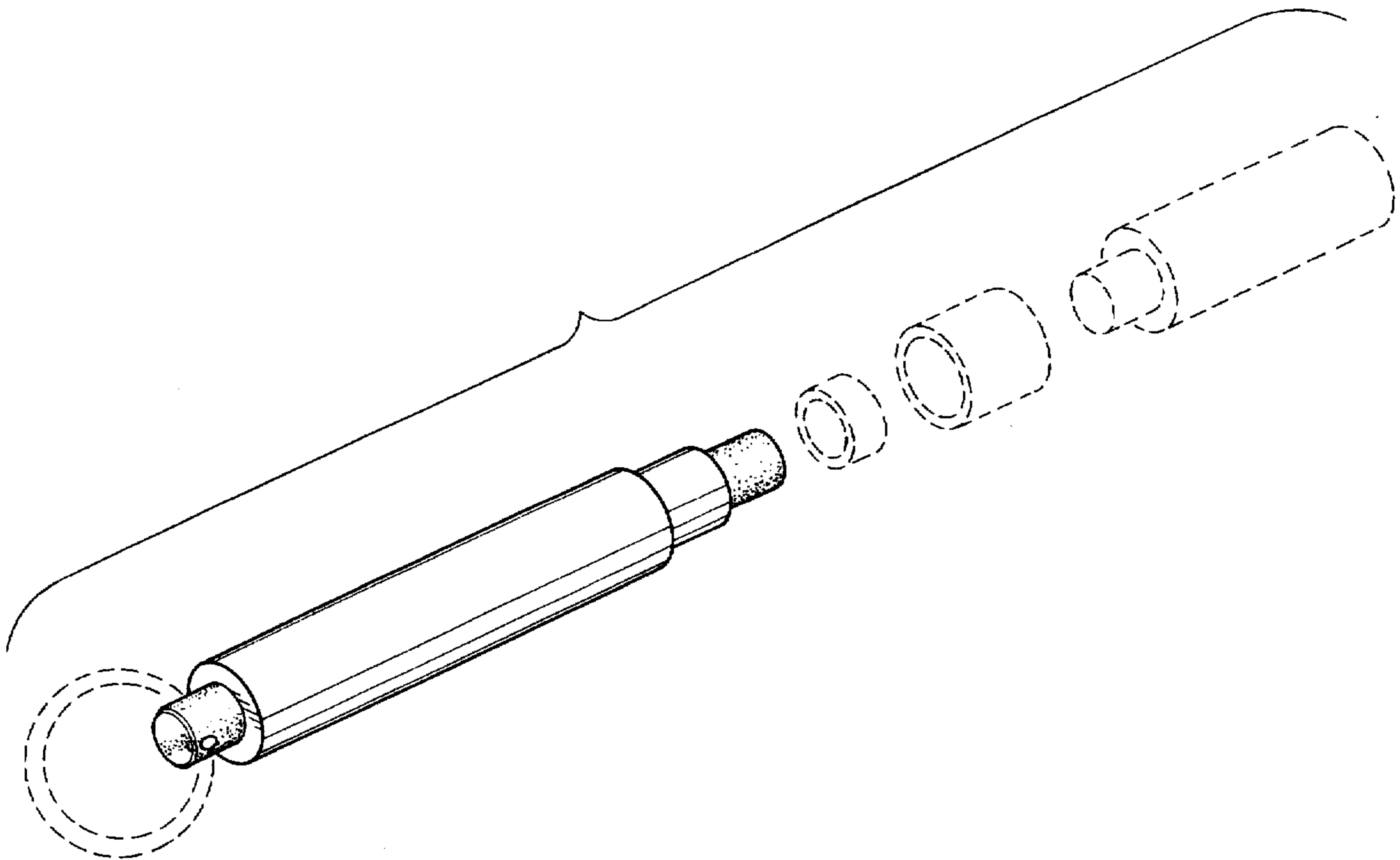
FIG. 1 is an environmental perspective view of an o-ring installation tool showing my new design;
FIG. 2 is a front elevational view with the back being a mirror image thereof;
FIG. 3 is a left side elevational view thereof;
FIG. 4 is a top view with the bottom being a mirror image thereof; and,
FIG. 5 is a right side elevational view thereof.
The broken line showing of an o-ring, a security shield, a terminal, and a finger ring is for illustrative purposes only and forms no part of the claimed design.

[56] **References Cited**

U.S. PATENT DOCUMENTS

D. 300,404	3/1989	Lauer	D8/14 X
D. 321,984	12/1991	Stillwagon	D3/207
D. 328,844	8/1992	Fritz	D8/14 X
D. 342,384	12/1993	MacDonald	D3/207
3,165,949	1/1965	Hill	81/8.1
4,330,917	5/1982	Dzurkovich	29/235

1 Claim, 2 Drawing Sheets



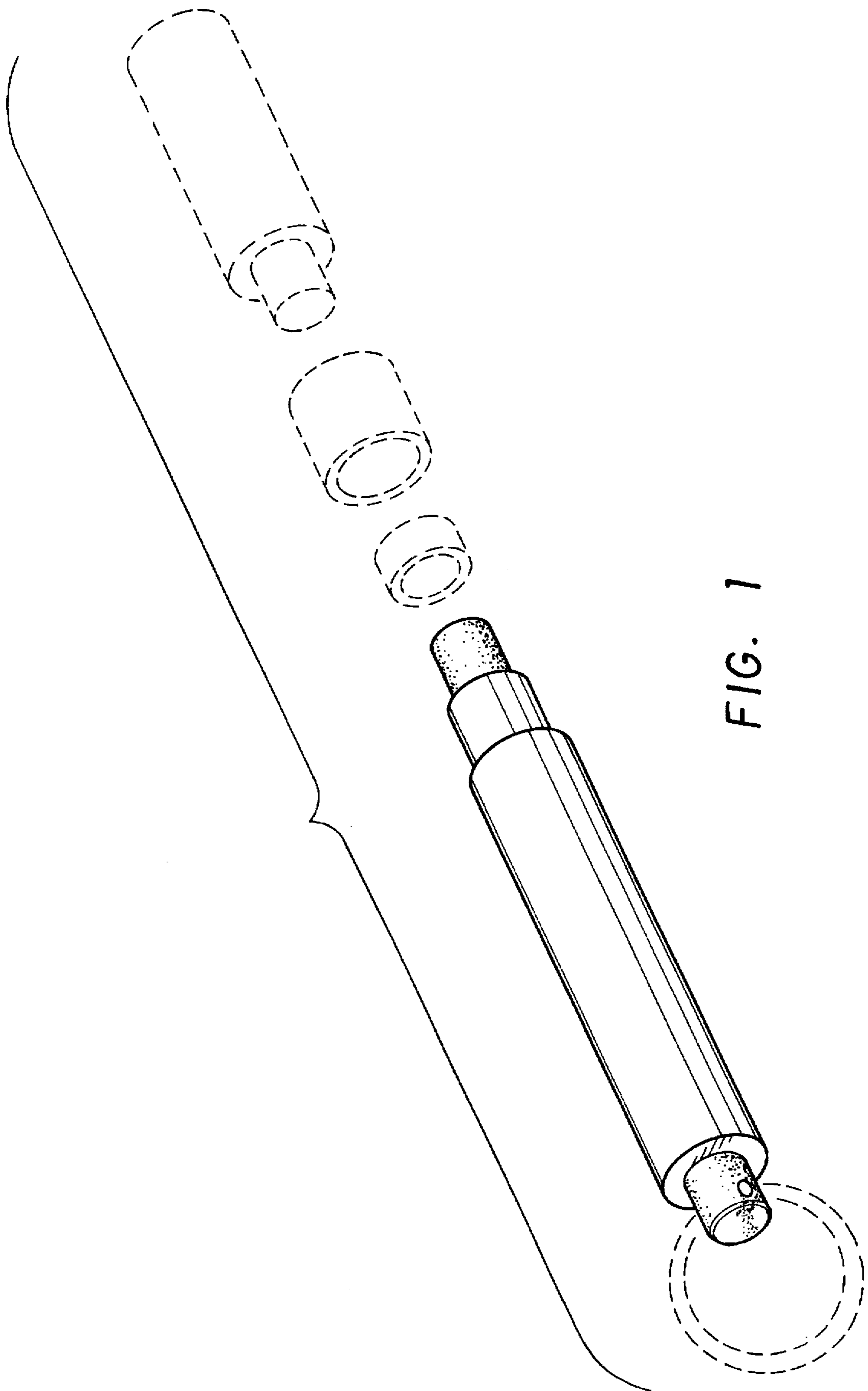


FIG. 1

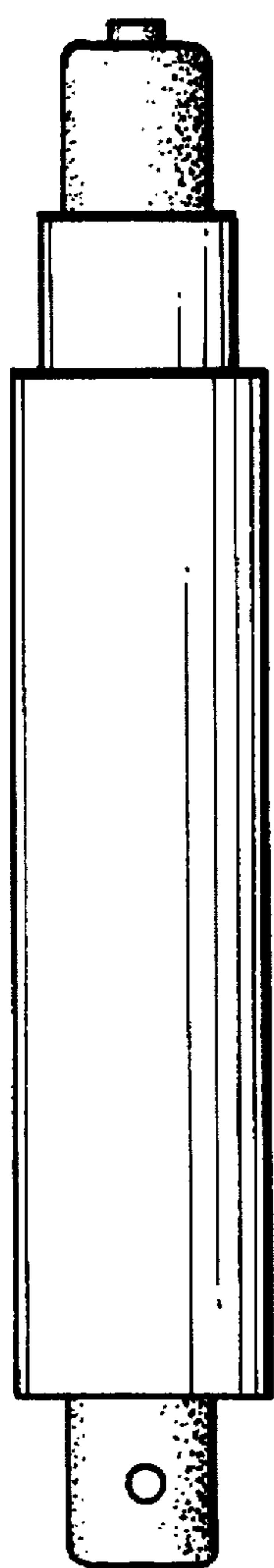


FIG. 2

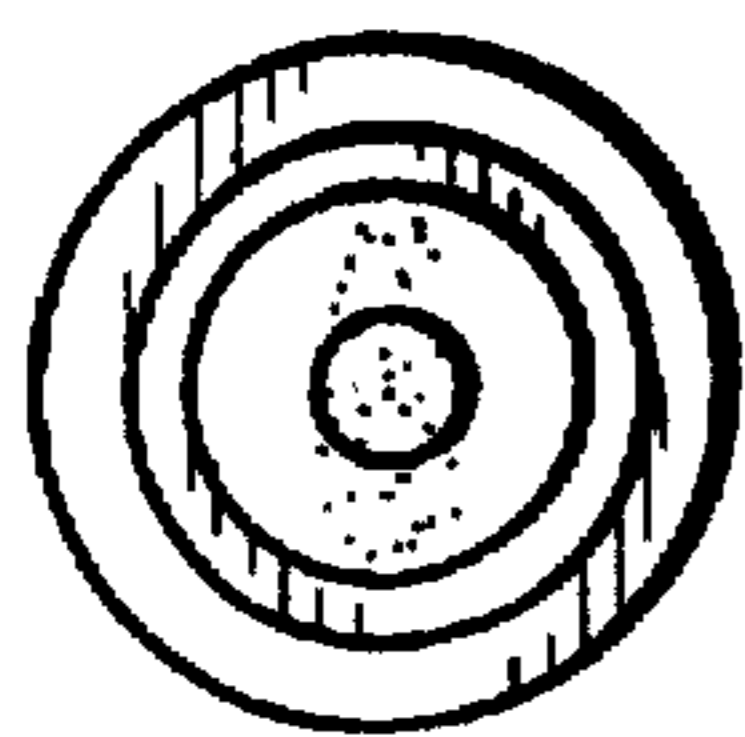


FIG. 5

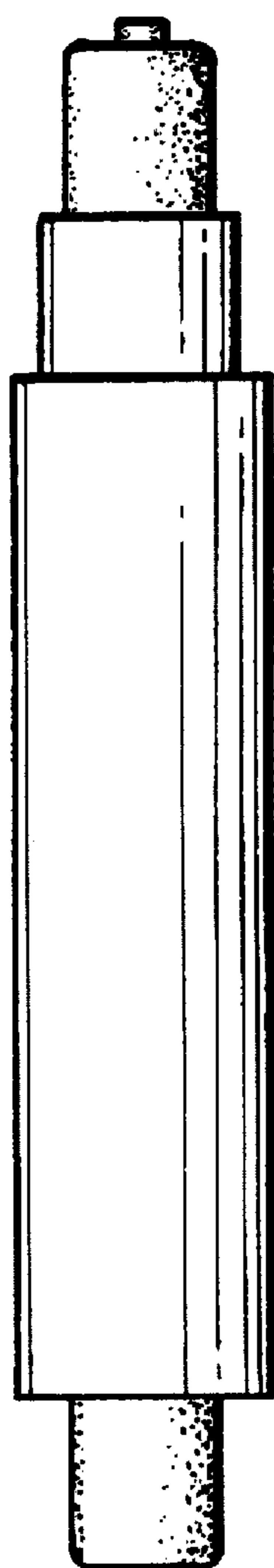


FIG. 4

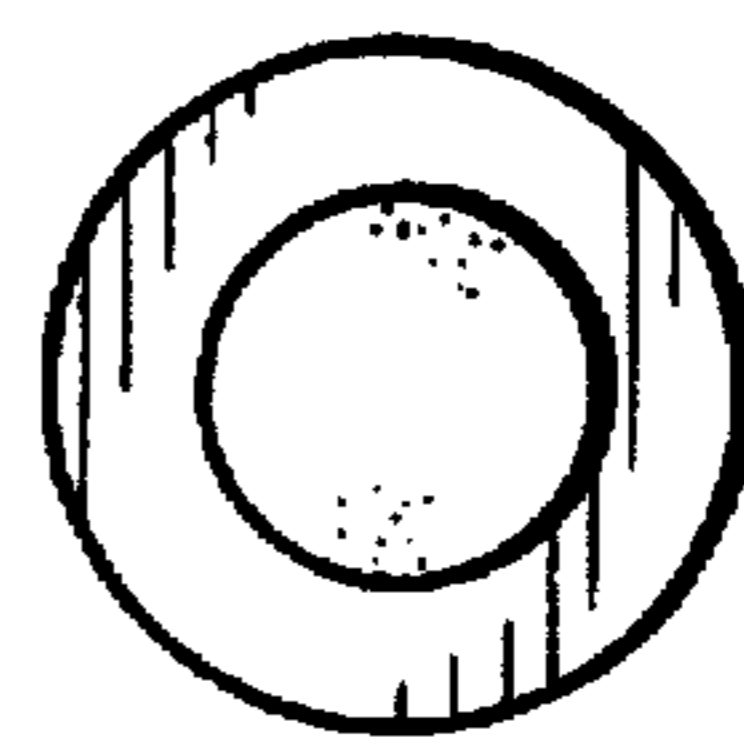


FIG. 3