

US00D384250S

United States Patent [19]

[11] Patent Number: **Des. 384,250**

Dumlao

[45] Date of Patent: ****Sep. 30, 1997**

[54] COMBINED FAT AND OIL SEPARATOR AND STAND THEREFOR

[76] Inventor: **Jose M. Dumlao**, 4201 Monroe Ave., Los Angeles, Calif. 90029

[**] Term: **14 Years**

[21] Appl. No.: **50,431**

[22] Filed: **Feb. 20, 1996**

[51] LOC (6) Cl. **07-04**

[52] U.S. Cl. **D7/667; D7/601**

[58] Field of Search **D7/667, 668, 700, D7/637-641, 601; 210/464, 469, 473, 282, 283; 211/13, 70.7, 74; 312/237, 283; 141/297, 331-345; D6/432, 449, 466**

[56] References Cited

U.S. PATENT DOCUMENTS

- D. 218,773 9/1970 Sitts D7/700
- D. 235,183 5/1975 Braun D7/667
- D. 330,813 11/1992 Spitzer et al. D6/432

Primary Examiner—Terry A. Wallace
Attorney, Agent, or Firm—Harold H. Dutton, Jr.; Diane F. Liebman

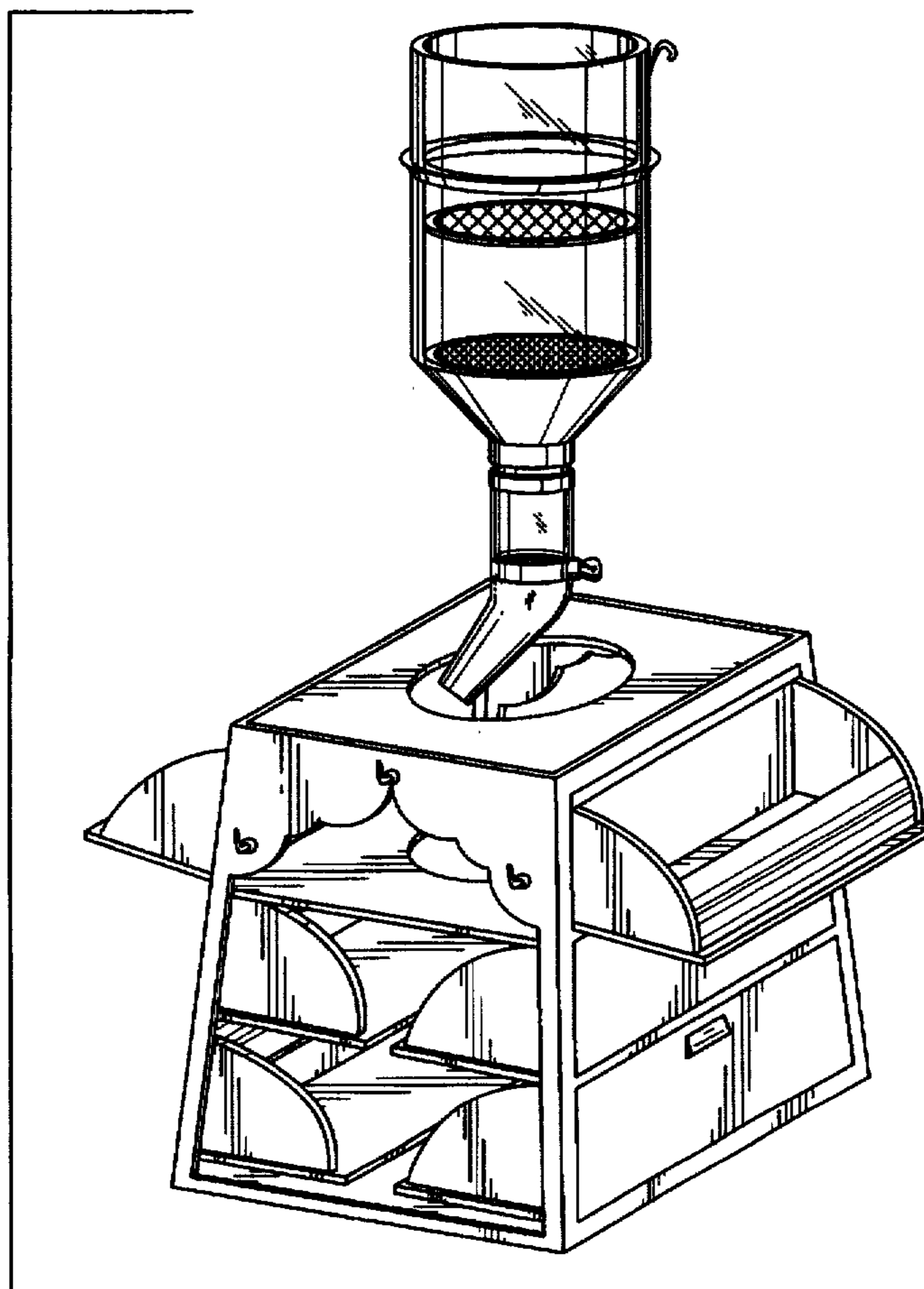
[57] CLAIM

The ornamental design for a combined fat and oil separator and stand therefor as shown, and described

DESCRIPTION

FIG. 1 is an exploded perspective view of a combined fat and oil separator and stand therefor showing my new design; FIG. 2 is a front elevation view of the separator shown separately for clarity of illustration; FIG. 3 is a rear elevation view of FIG. 2; FIG. 4 is a right side elevation view of FIG. 2; FIG. 5 is a left side elevation view of FIG. 2; FIG. 6 is a top plan view of FIG. 2; FIG. 7 is a bottom plan view of FIG. 2; FIG. 8 is a front elevation view of the stand portion shown separately for clarity of illustration, the opposite side being a mirror image; FIG. 9 is a right side elevation view of FIG. 8, the opposite side being a mirror image; FIG. 10 is a top plan view of FIG. 8; and, FIG. 11 is a bottom plan view of FIG. 8.

1 Claim, 6 Drawing Sheets



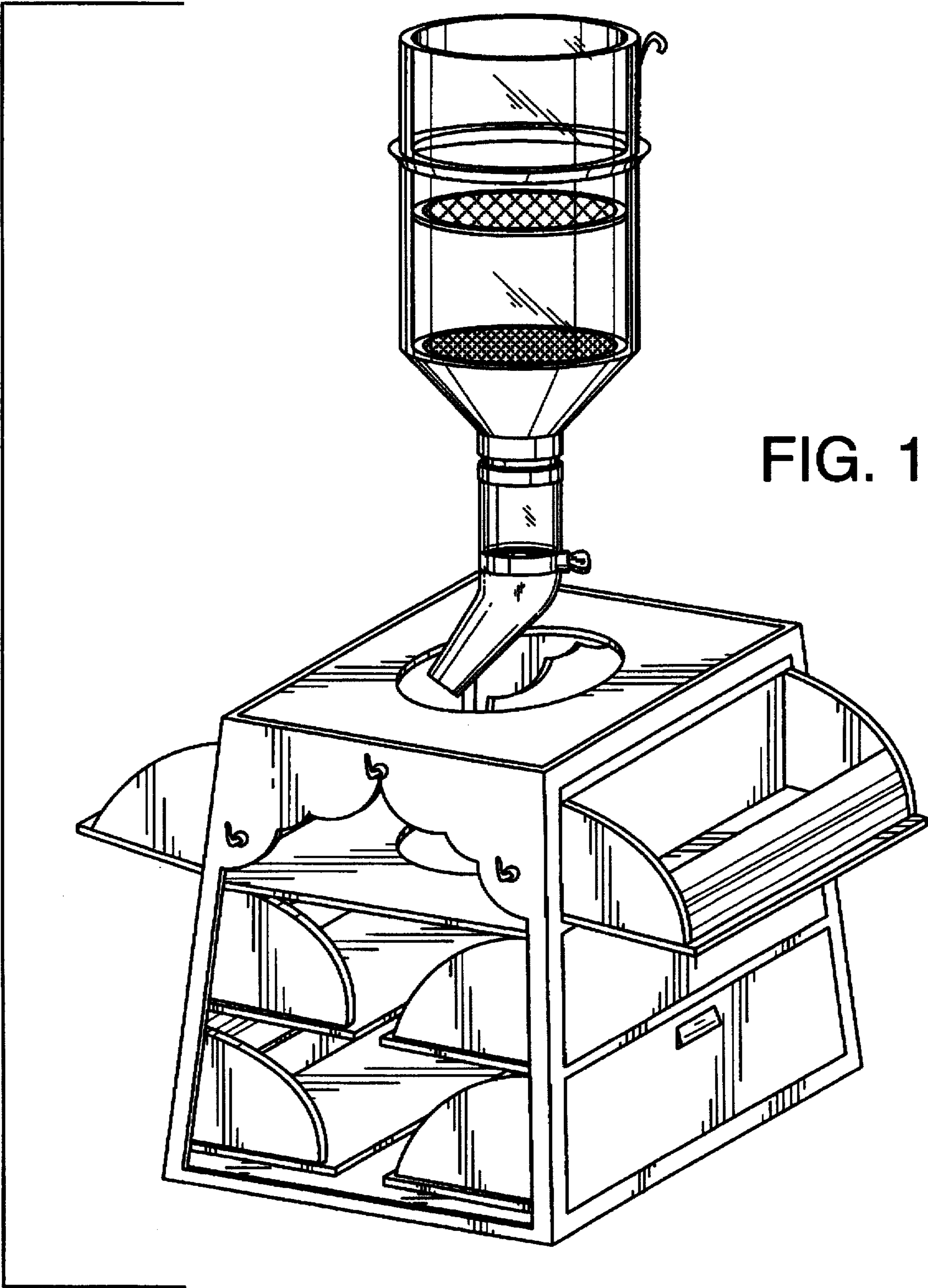


FIG. 1

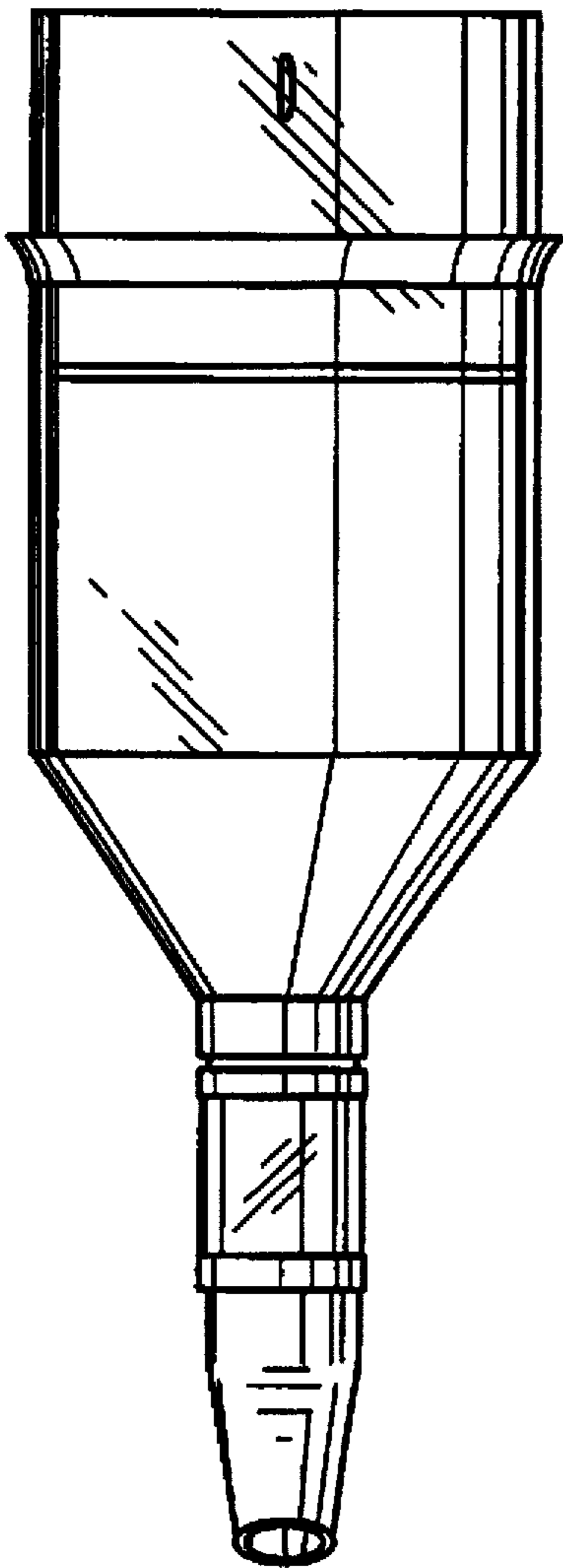
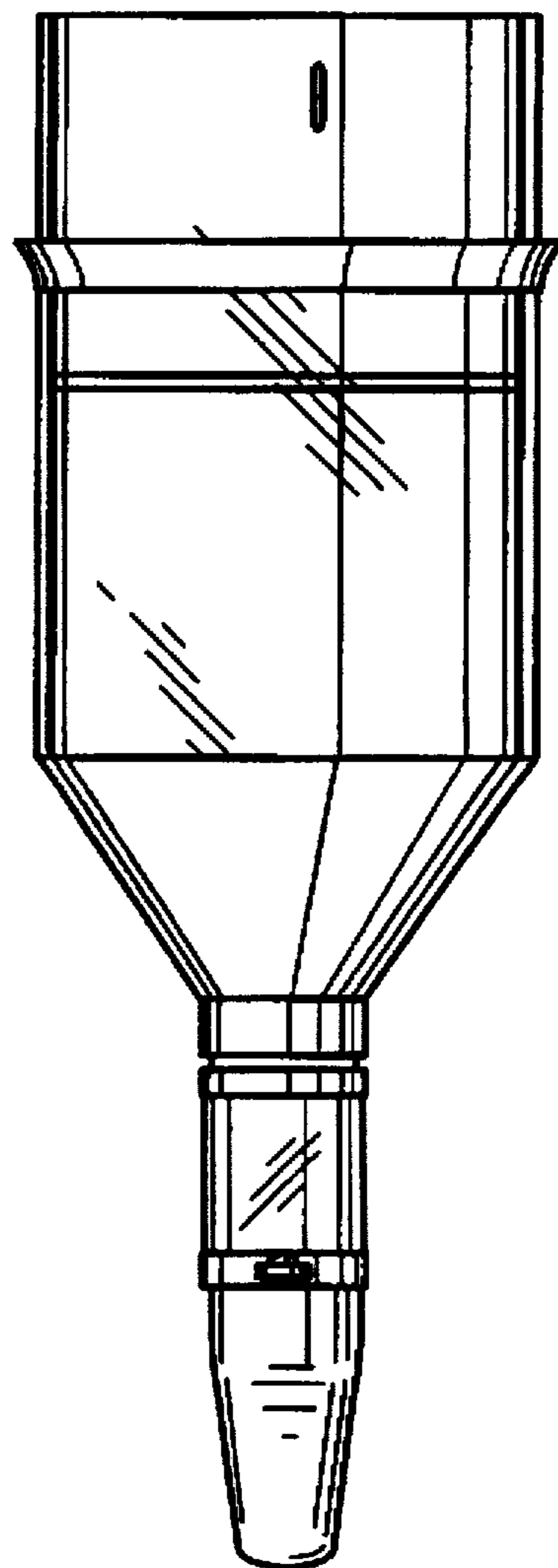


FIG. 2

FIG. 3



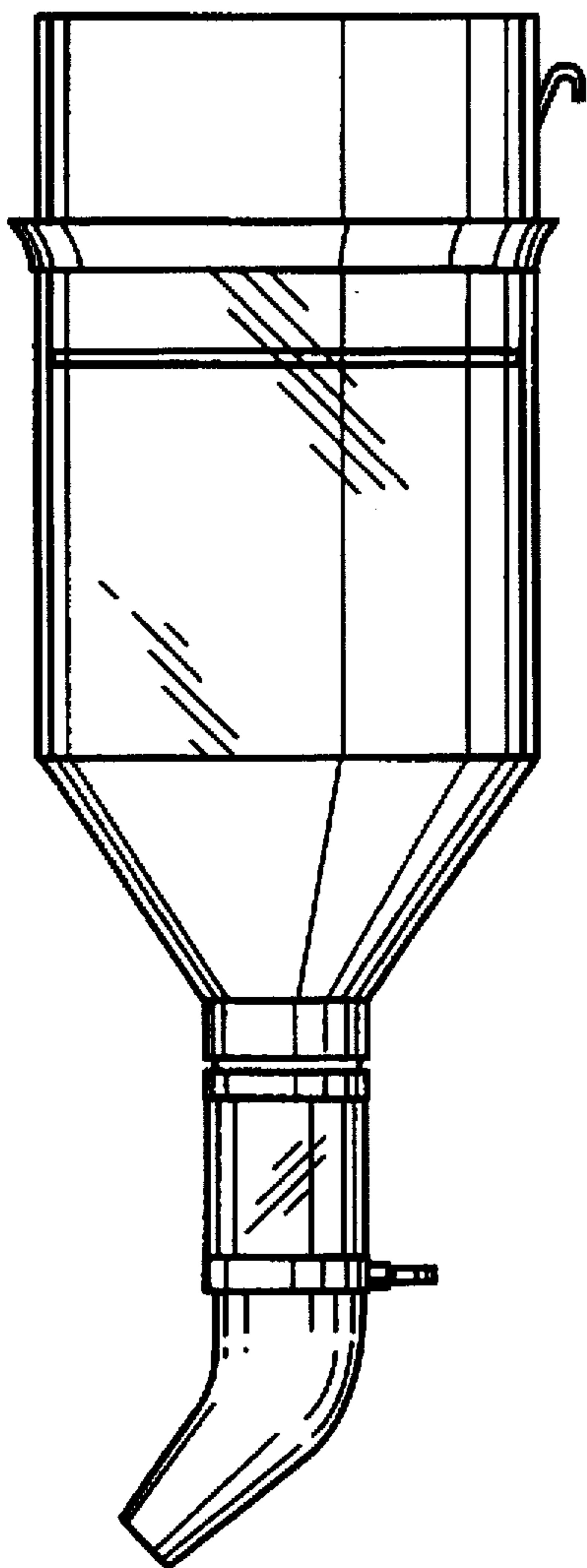
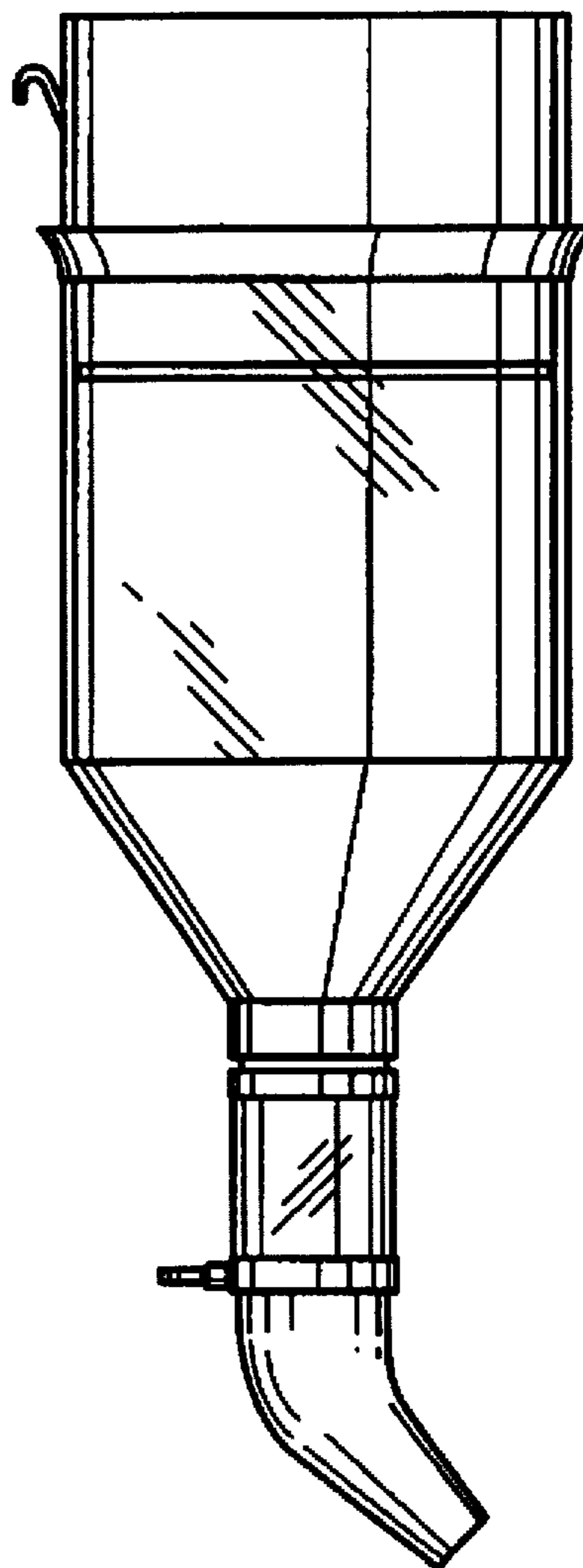


FIG. 4

FIG. 5



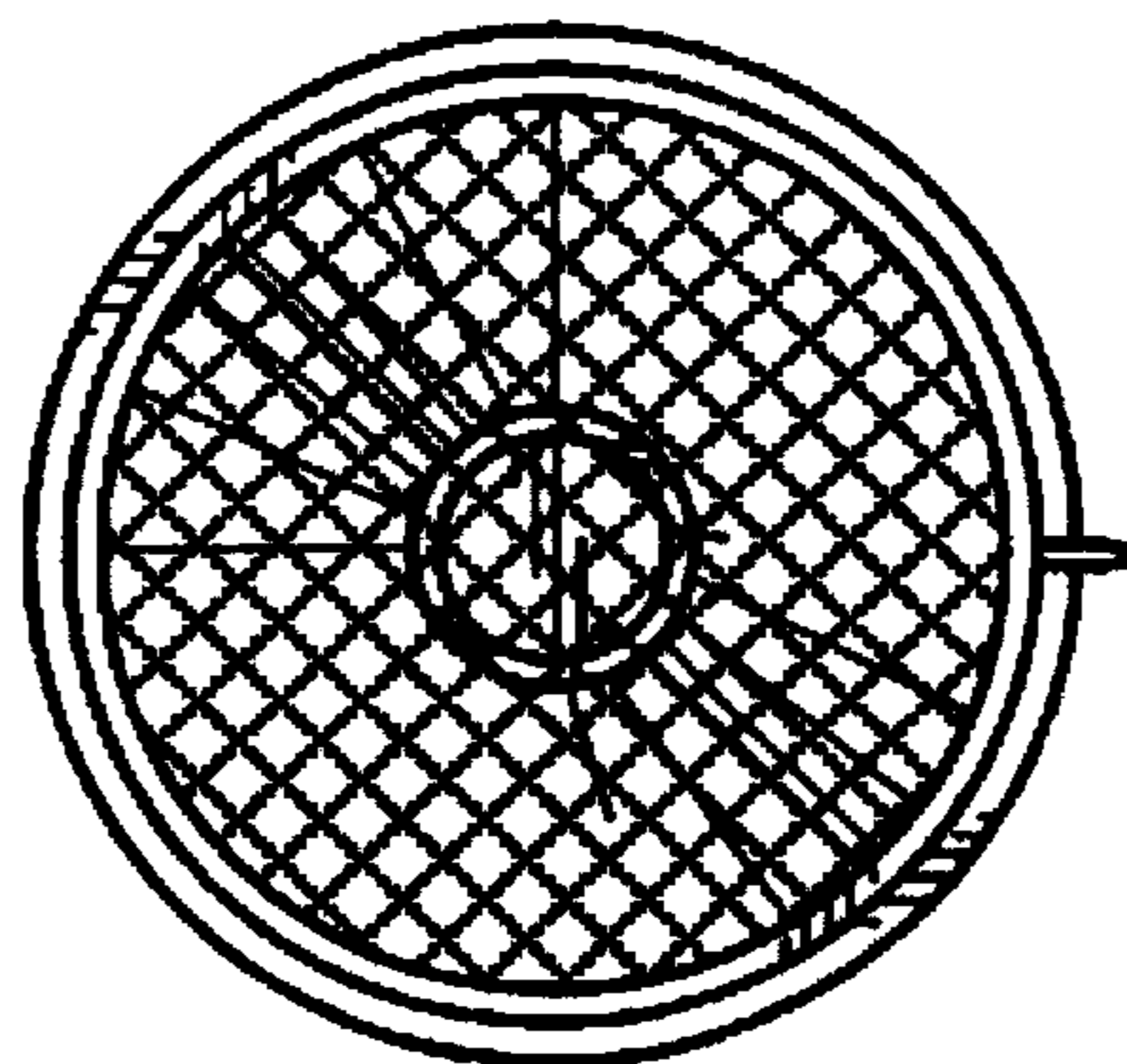


FIG. 6

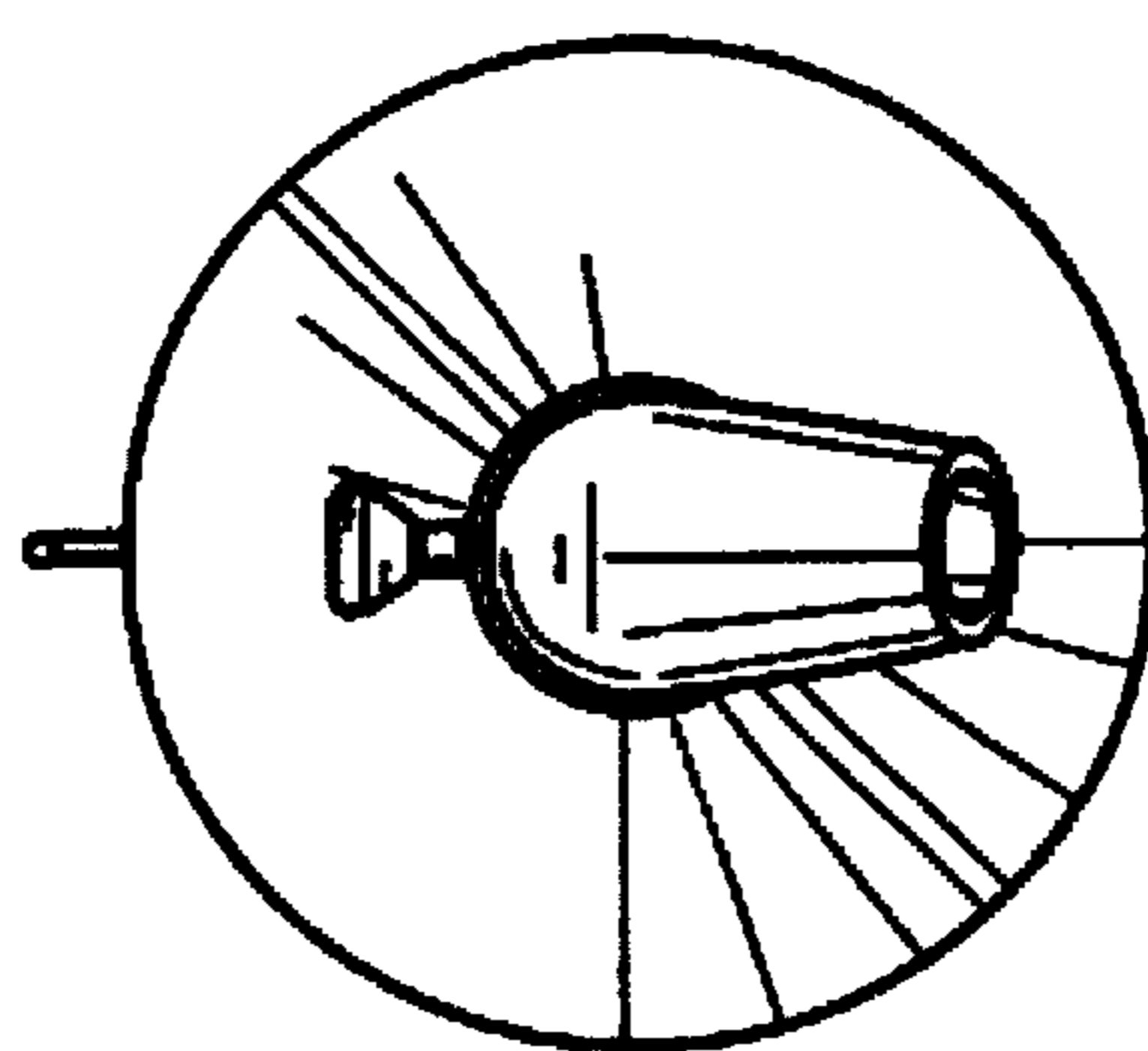


FIG. 7

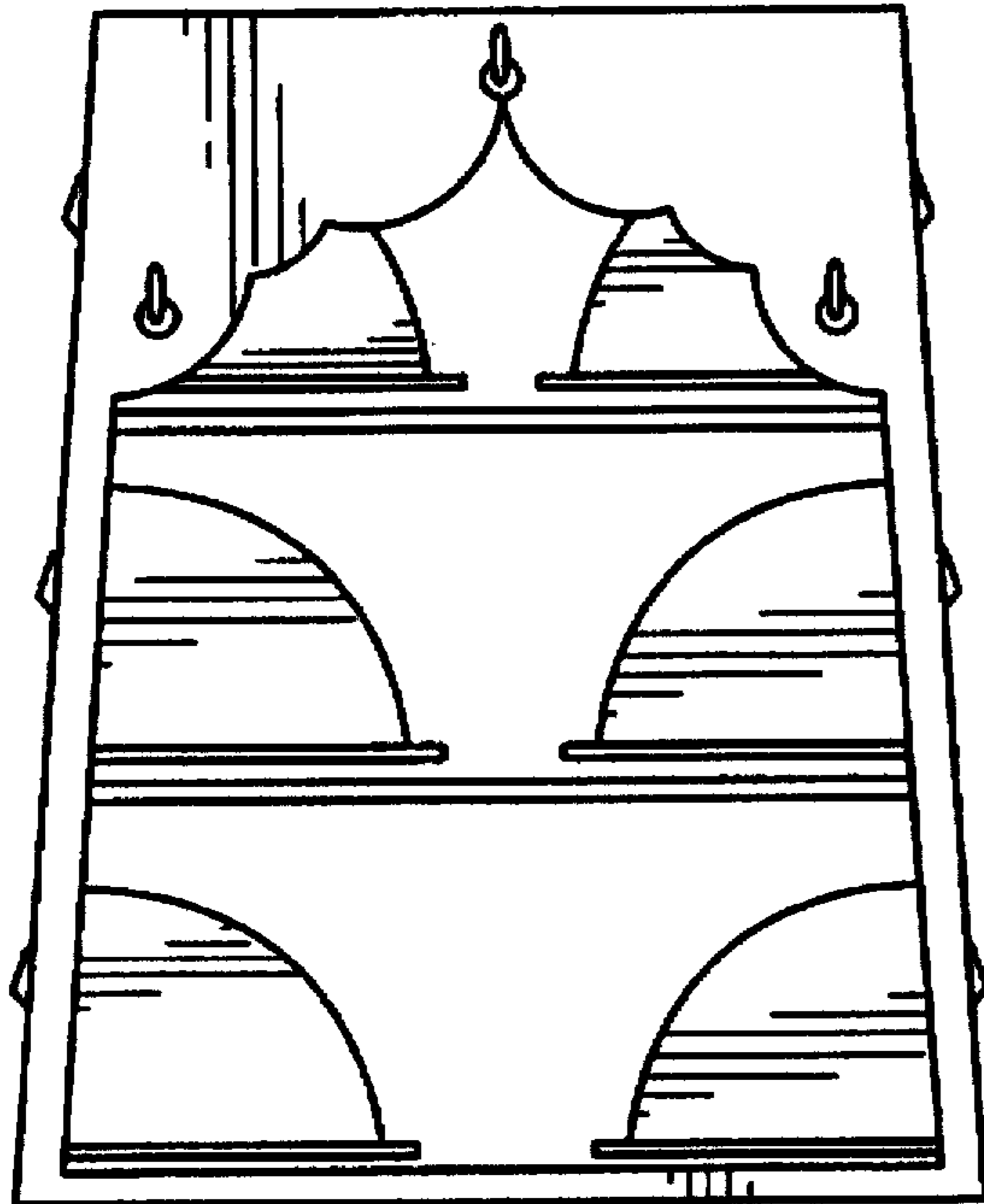
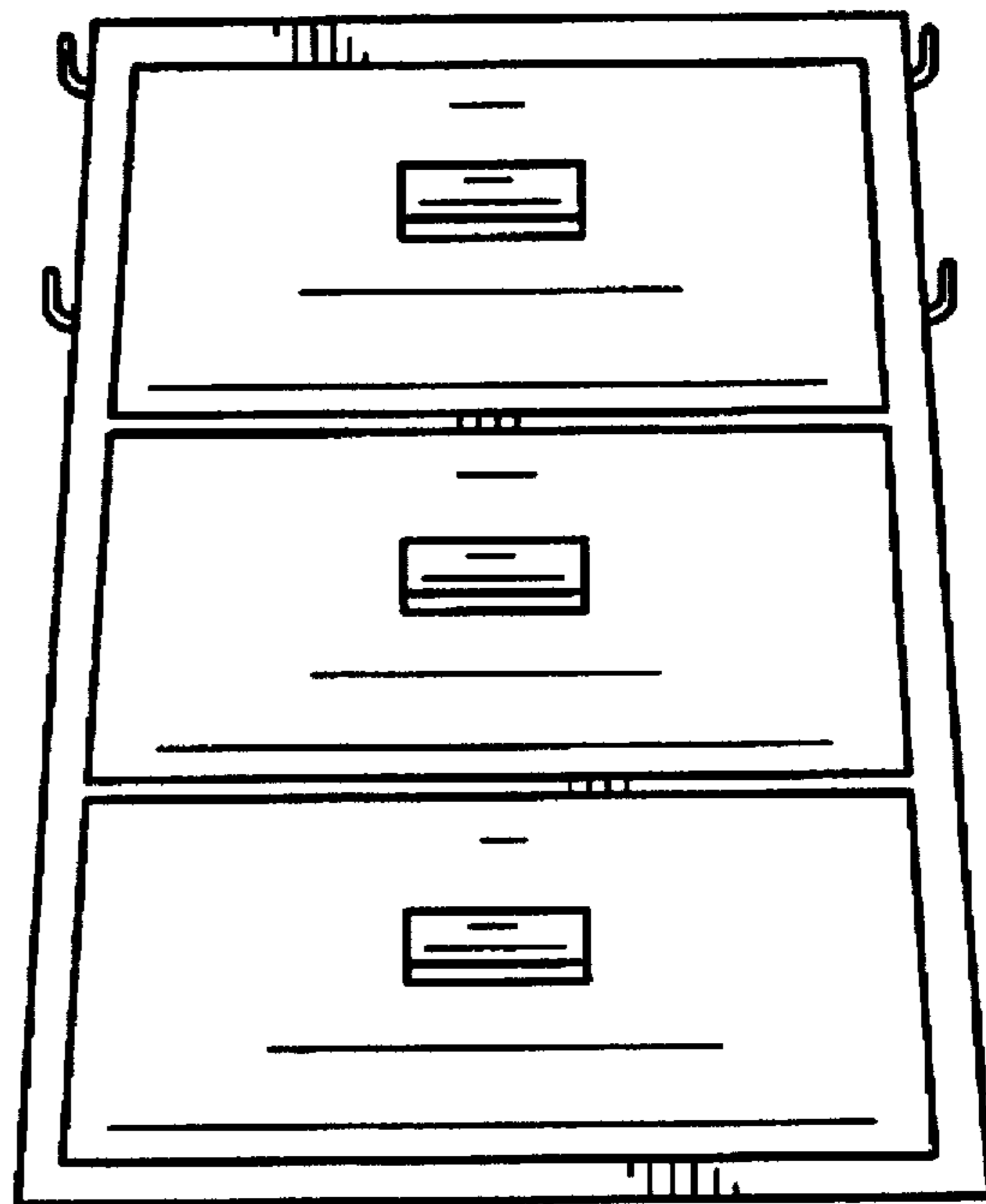


FIG. 8

FIG. 9



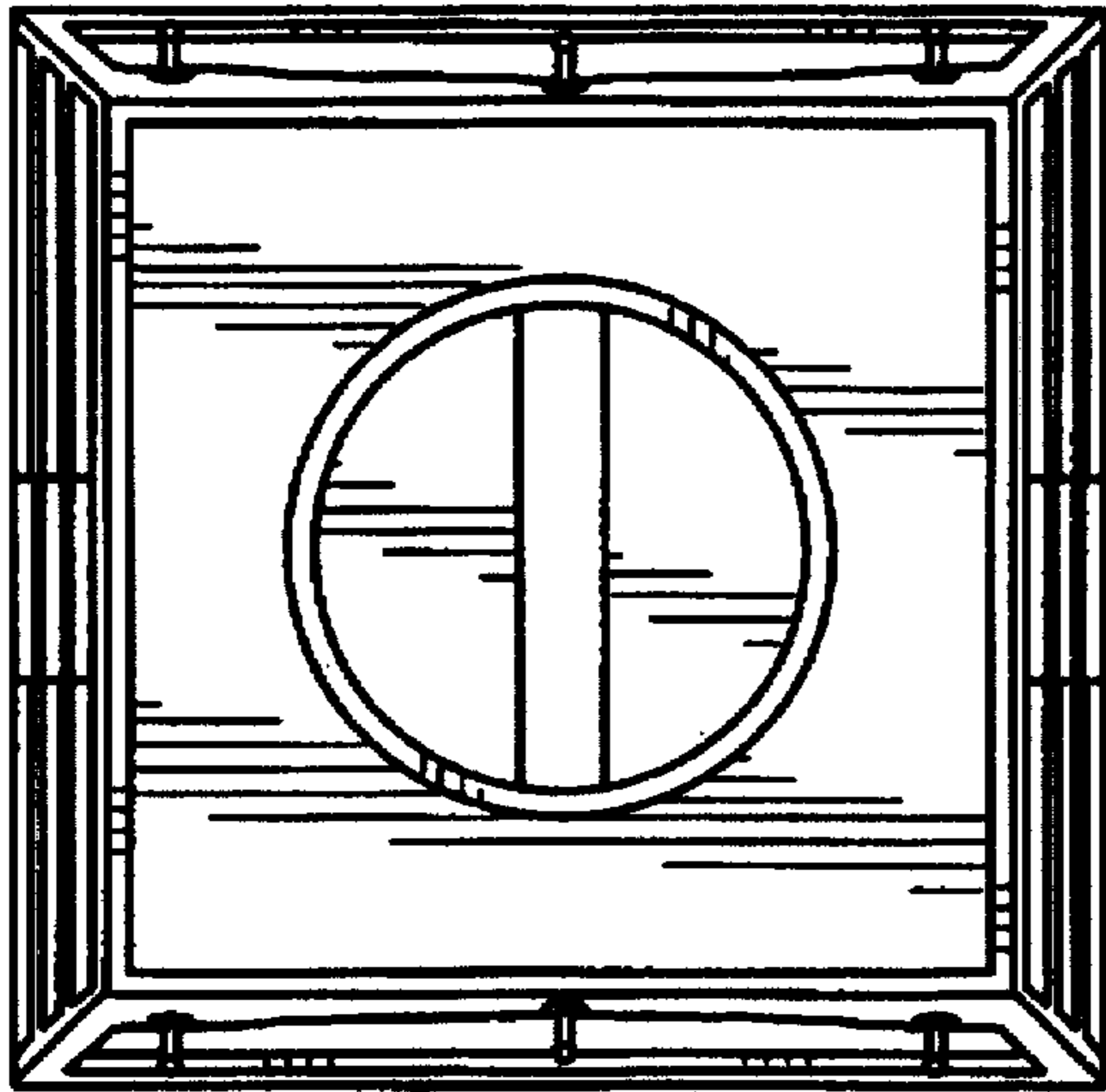


FIG. 10

FIG. 11

