



US00D384246S

United States Patent [19]
McKnight

[11] **Patent Number:** **Des. 384,246**
[45] **Date of Patent:** ****Sep. 30, 1997**

[54] **GLASSWARE**

[75] **Inventor:** **Thomas J. McKnight**, Beaver, Pa.

[73] **Assignee:** **Moderne Glass Company, Inc.**,
Aliquippa, Pa.

[**] **Term:** **14 Years**

[21] **Appl. No.:** **30,048**

[22] **Filed:** **Oct. 21, 1994**

[51] **LOC (6) Cl.** **07-01**

[52] **U.S. Cl.** **D7/509; D7/536; D7/523**

[58] **Field of Search** **D7/507, 509, 510,**
D7/511, 523, 533, 534, 535, 536; 215/387,
393, 398; 229/402; 220/711, 713, 717,
719, 738

[56] **References Cited**

U.S. PATENT DOCUMENTS

D. 37,604	10/1905	Fletcher	D7/531
D. 38,627	6/1907	Slater	D7/319
D. 39,400	7/1908	Ebeling	D7/531
D. 207,962	6/1967	Refsgaard	D7/536
D. 258,484	3/1981	Slepicka	D7/536 X
D. 258,795	4/1981	Zamorski	D7/536
D. 334,322	3/1993	Huang	D7/536
1,389,594	9/1921	Moore	220/738
2,265,403	12/1941	Smith	220/711
2,861,716	11/1958	Kramer	220/719 X
4,305,533	12/1981	Wightman et al.	220/719 X
4,630,744	12/1986	Trombly	D7/509 X
4,984,707	1/1991	Fierthaler	D7/536 X

OTHER PUBLICATIONS

Mug From Majestic Gifts, Gifts and Decorative Accessories
p. 243 Aug. 1983.

Cappuccino Mug (Bottom Right Front), Blommingdales
Front Page Catalog Dec. 1, 1983.

Stripped Mug From Lipper & Mann Inc., Housewares
Review Oct. 1966 p. 71.

Mug (Belfast No. 2343) Gifts and Decorative Accessories
Jul. 1975 p. 7.

Acrylic Mug, Epic Products Inc.

Primary Examiner—Alan P. Douglas

Assistant Examiner—M. N. Pandozzi

Attorney, Agent, or Firm—Webb Ziesenheim Bruening
Logsdon Orkin & Hanson, P.C.

[57] **CLAIM**

The ornamental design for glassware, as shown and
described.

DESCRIPTION

FIG. 1 is a perspective view of glassware in the form of a
beer mug showing my new design;

FIG. 2 is a right side elevation view thereof the opposite side
view of which is a mirror image;

FIG. 3 is a front elevation view thereof;

FIG. 4 is a rear elevation view thereof;

FIG. 5 is a top plan view thereof;

FIG. 6 is a bottom plan view thereof;

FIG. 7 is a vertical longitudinal section view on line VII—
VII of FIG. 5;

FIG. 8 is a perspective view of glassware in the form of a
coffee mug showing my new design;

FIG. 9 is a right side elevation view thereof the opposite side
view of which is a mirror image;

FIG. 10 is a front elevation view thereof;

FIG. 11 is a rear elevation view thereof;

FIG. 12 is a top plan view thereof;

FIG. 13 is a bottom plan view thereof;

FIG. 14 is a vertical longitudinal section view on line
XIV—XIV of FIG. 12;

FIG. 15 is a perspective view of glassware in the form of a
highball glass showing my new design;

FIG. 16 is a right side elevation view thereof the opposite
side view of which is a mirror image;

FIG. 17 is a front elevation view thereof the rear view of
which is a mirror image;

FIG. 18 is a top plan view thereof;

FIG. 19 is a bottom plan view thereof;

FIG. 20 is a vertical longitudinal section on line XX—XX
of FIG. 18;

FIG. 21 is a perspective view of glassware in the form of a
low ball glass showing my new design;

FIG. 22 is a right side elevation view thereof the opposite
side view of which is a mirror image;

FIG. 23 is a front elevation view thereof the rear view of
which is a mirror image;

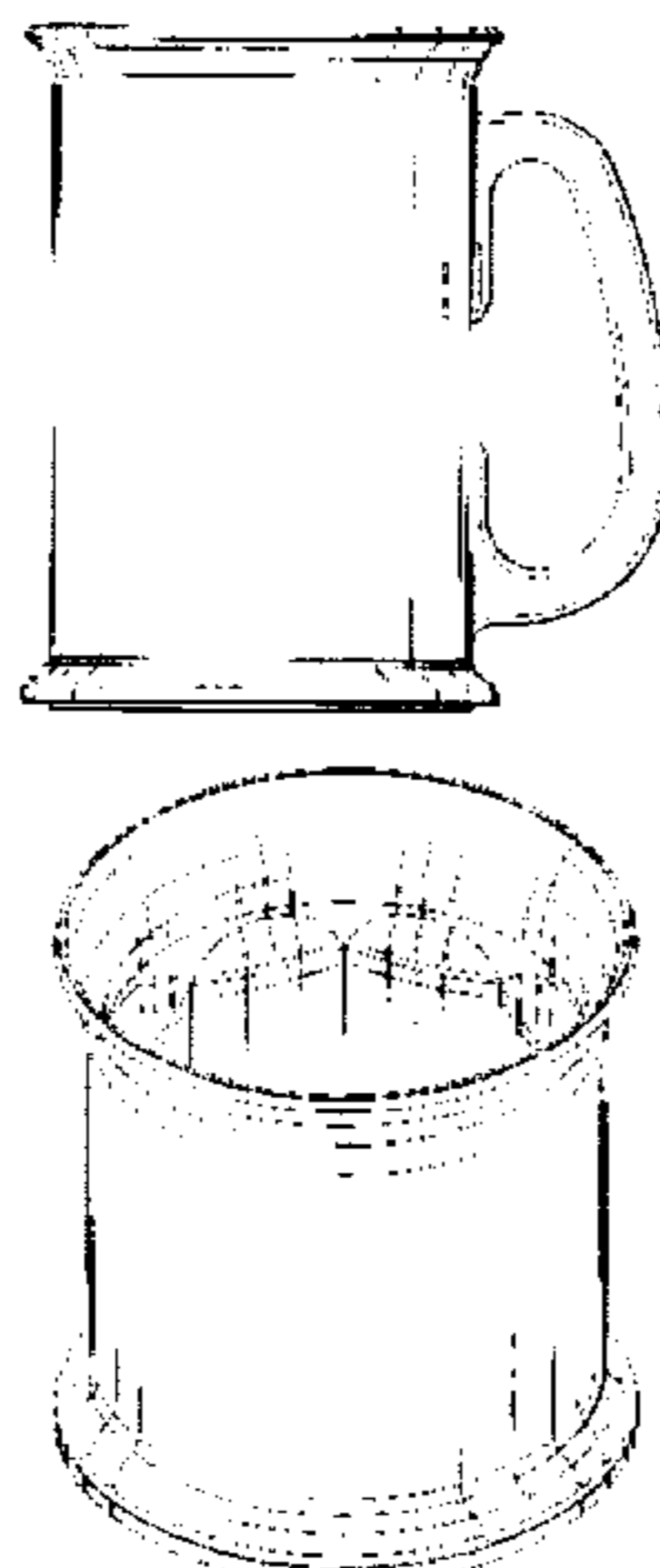


FIG. 24 is a top plan view thereof;
FIG. 25 is a bottom plan view thereof;
FIG. 26 is a vertical longitudinal section view on line XXVI—XXVI of FIG. 24;
FIG. 27 is a perspective view of glassware in the form of a shot glass showing my new design;
FIG. 28 is a right side elevation view thereof the opposite side view of which is a mirror image;

FIG. 29 is a front elevation view thereof the rear view of which is a mirror image;
FIG. 30 is a top plan view thereof;
FIG. 31 is a bottom plan view thereof; and,
FIG. 32 is a vertical longitudinal section view on line XXXII—XXXII of FIG. 30.

1 Claim, 23 Drawing Sheets

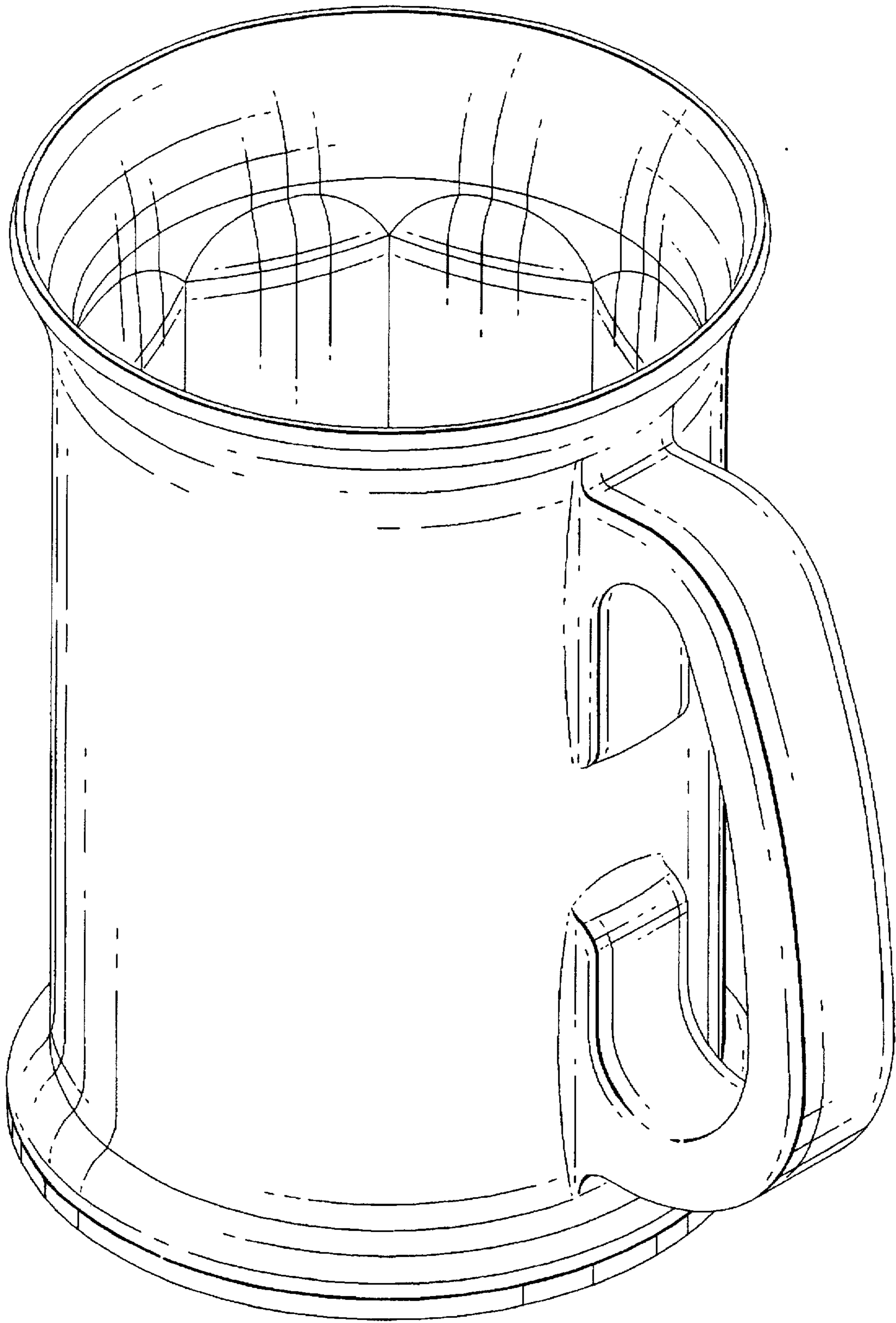


FIG. 1

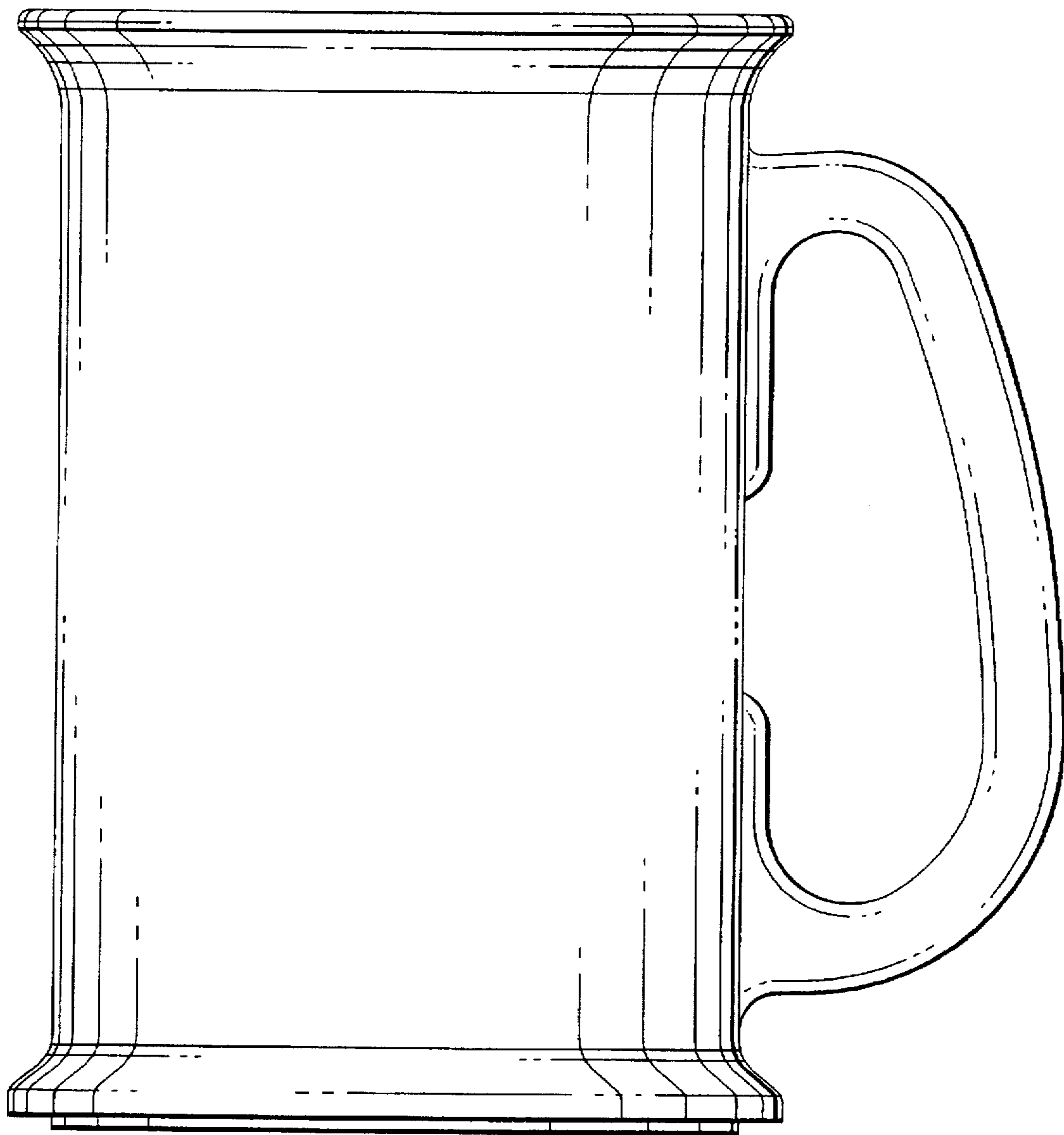


FIG. 2

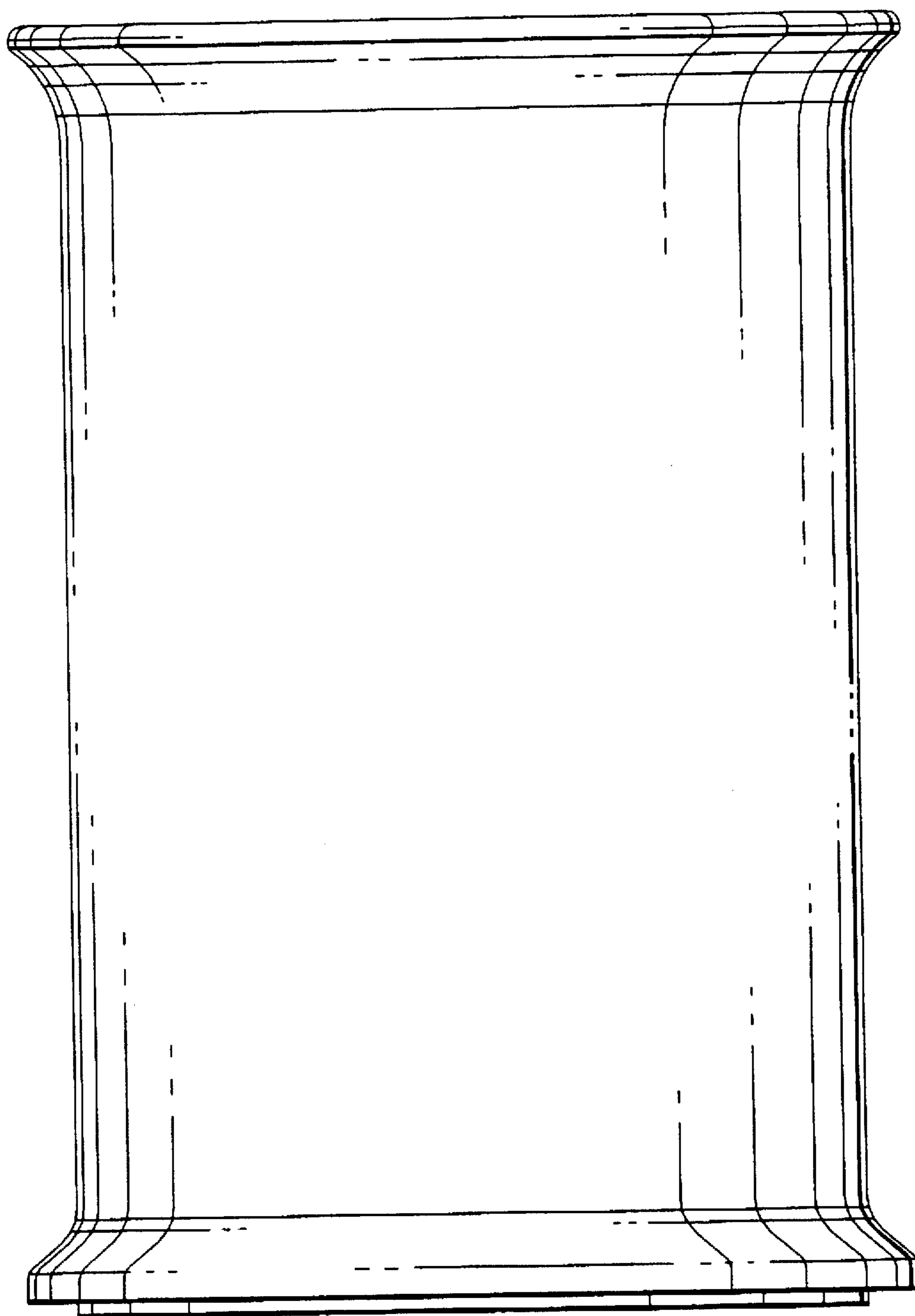


FIG. 3

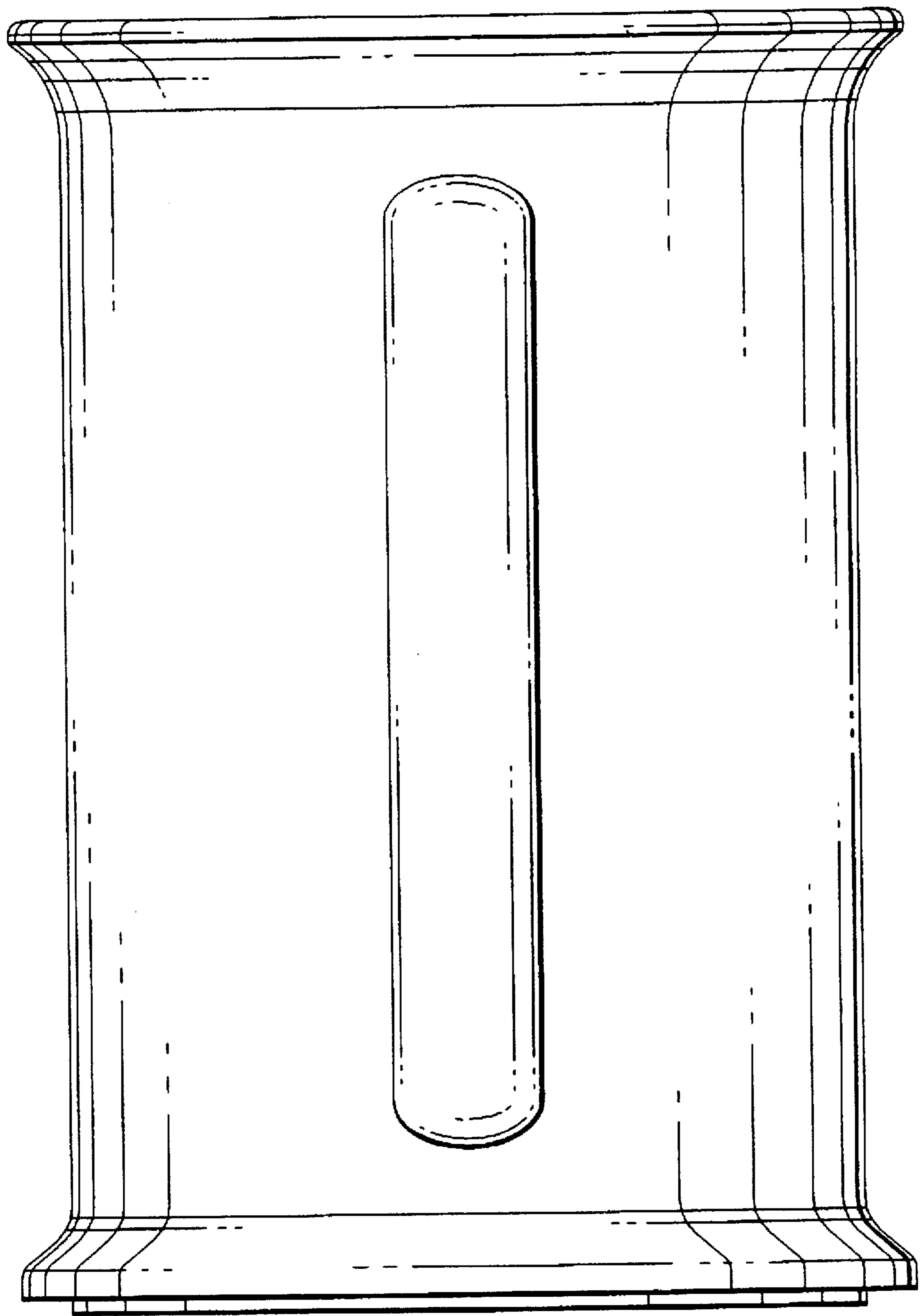
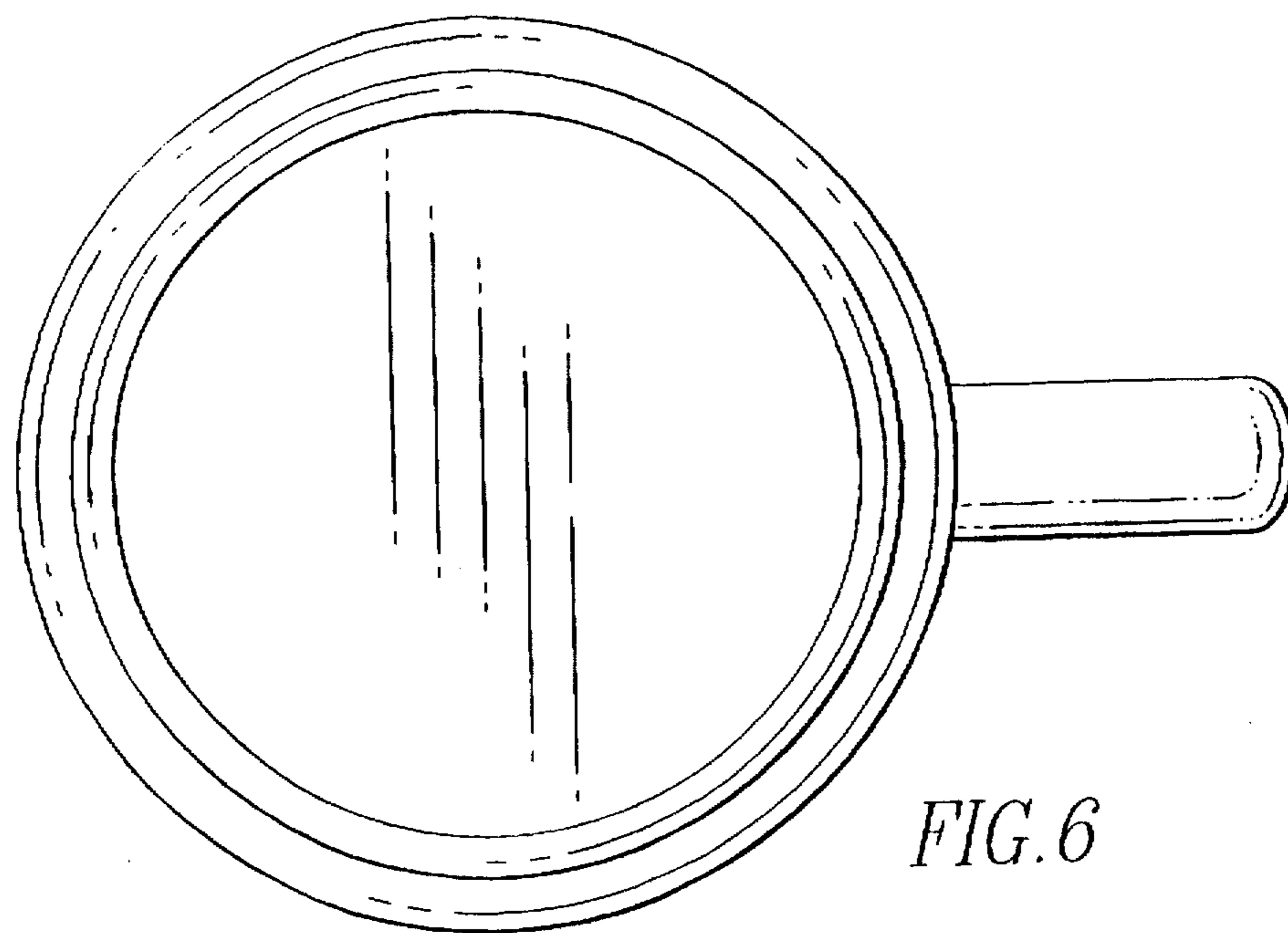
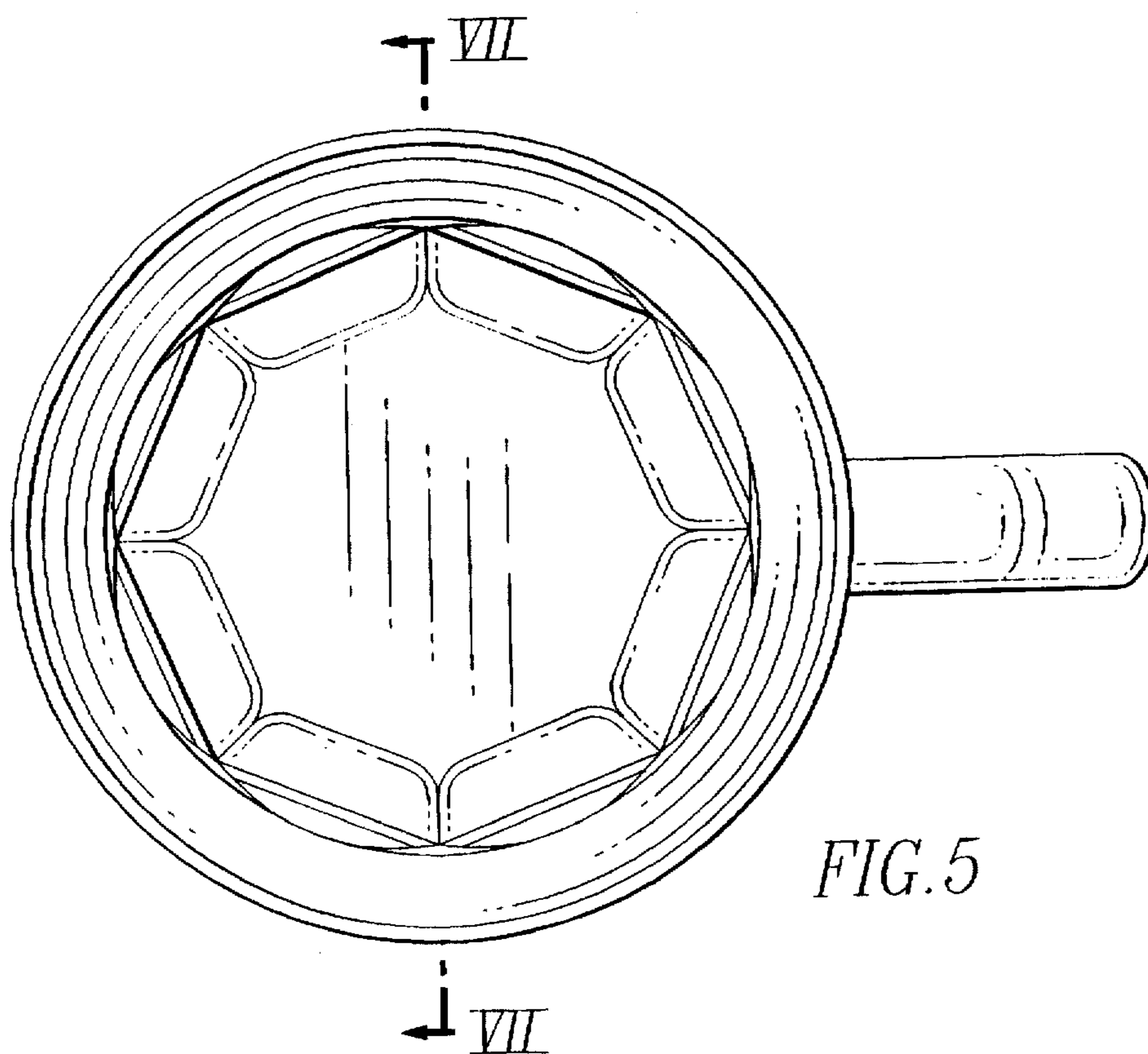


FIG. 4



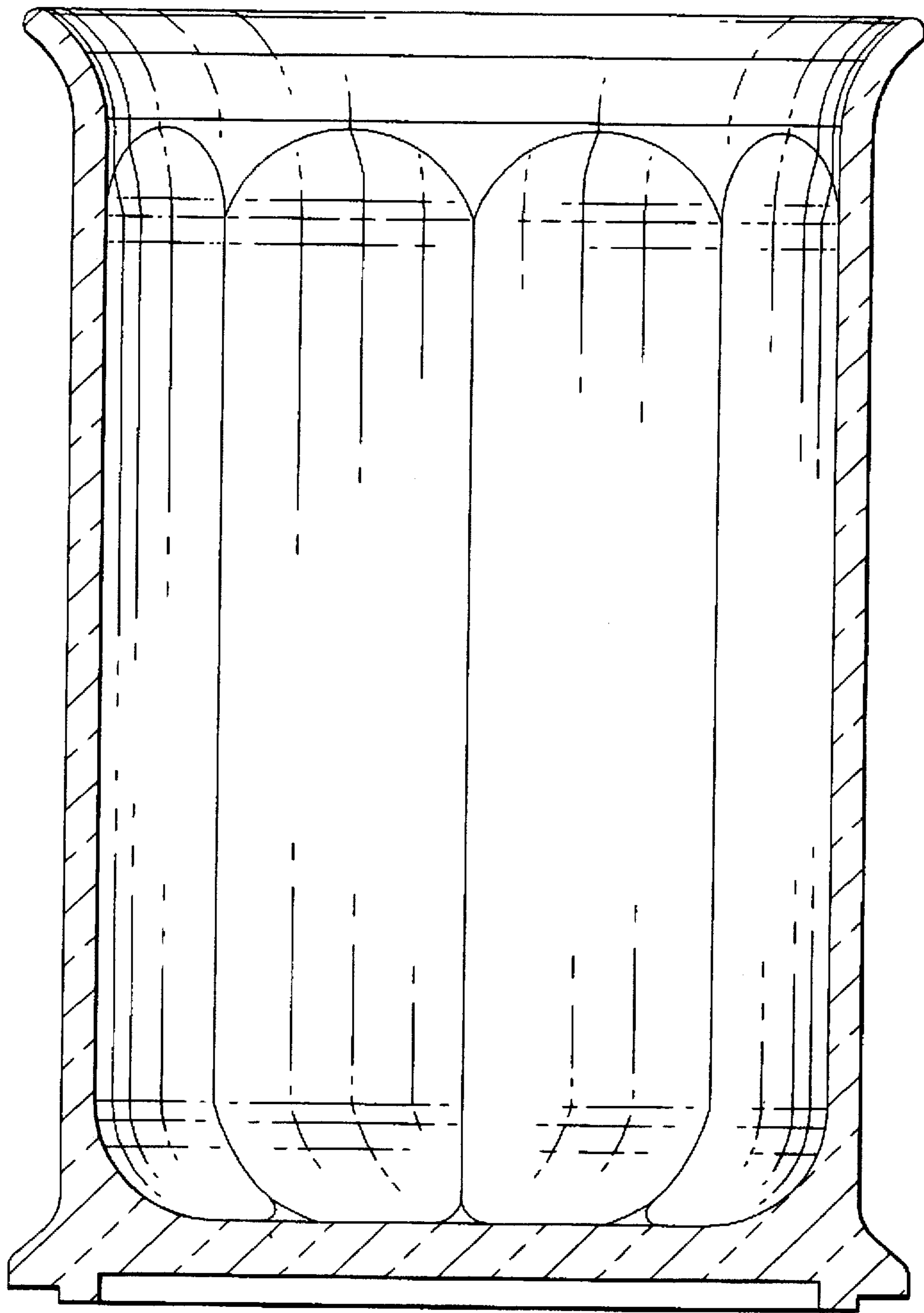


FIG. 7

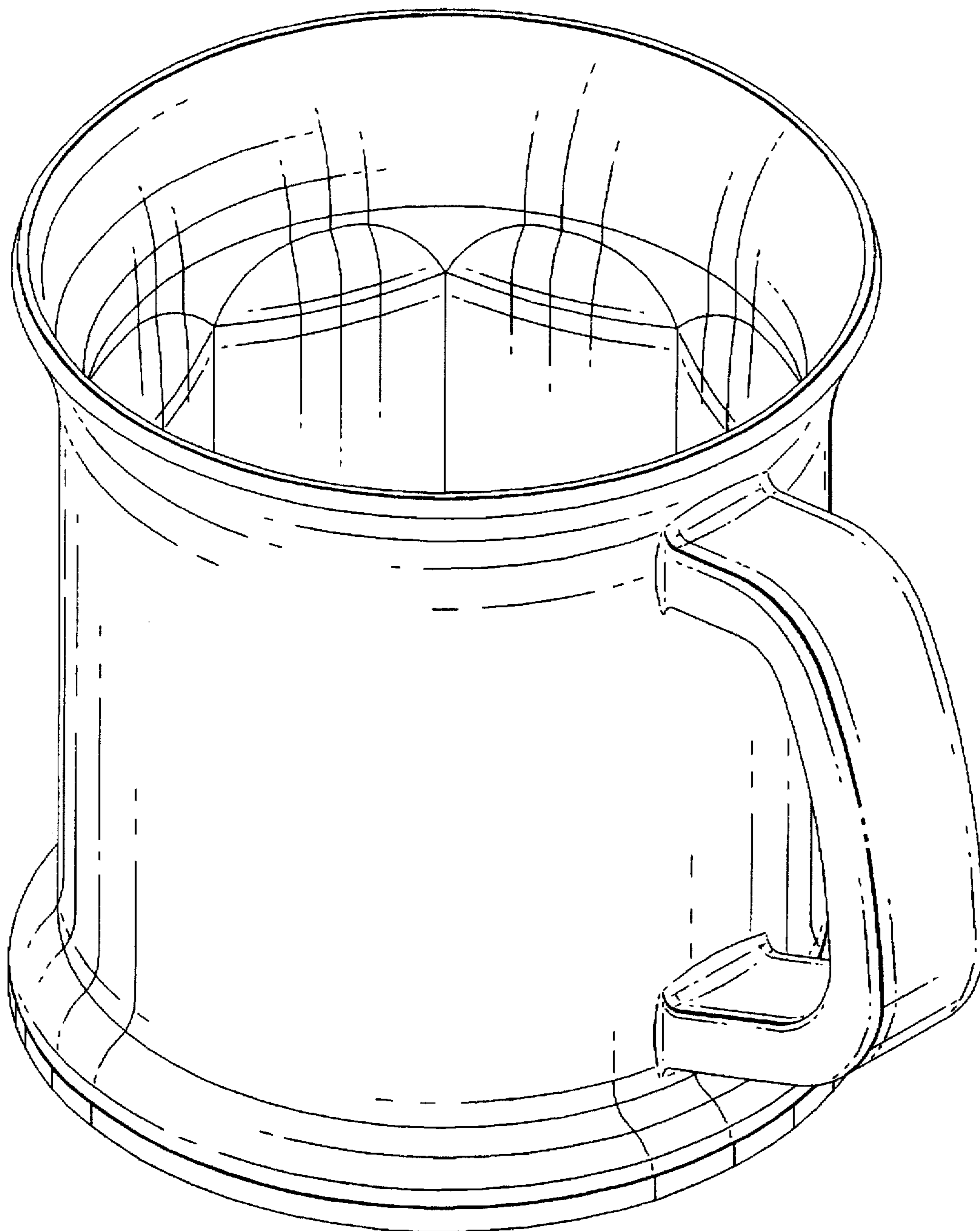


FIG. 8

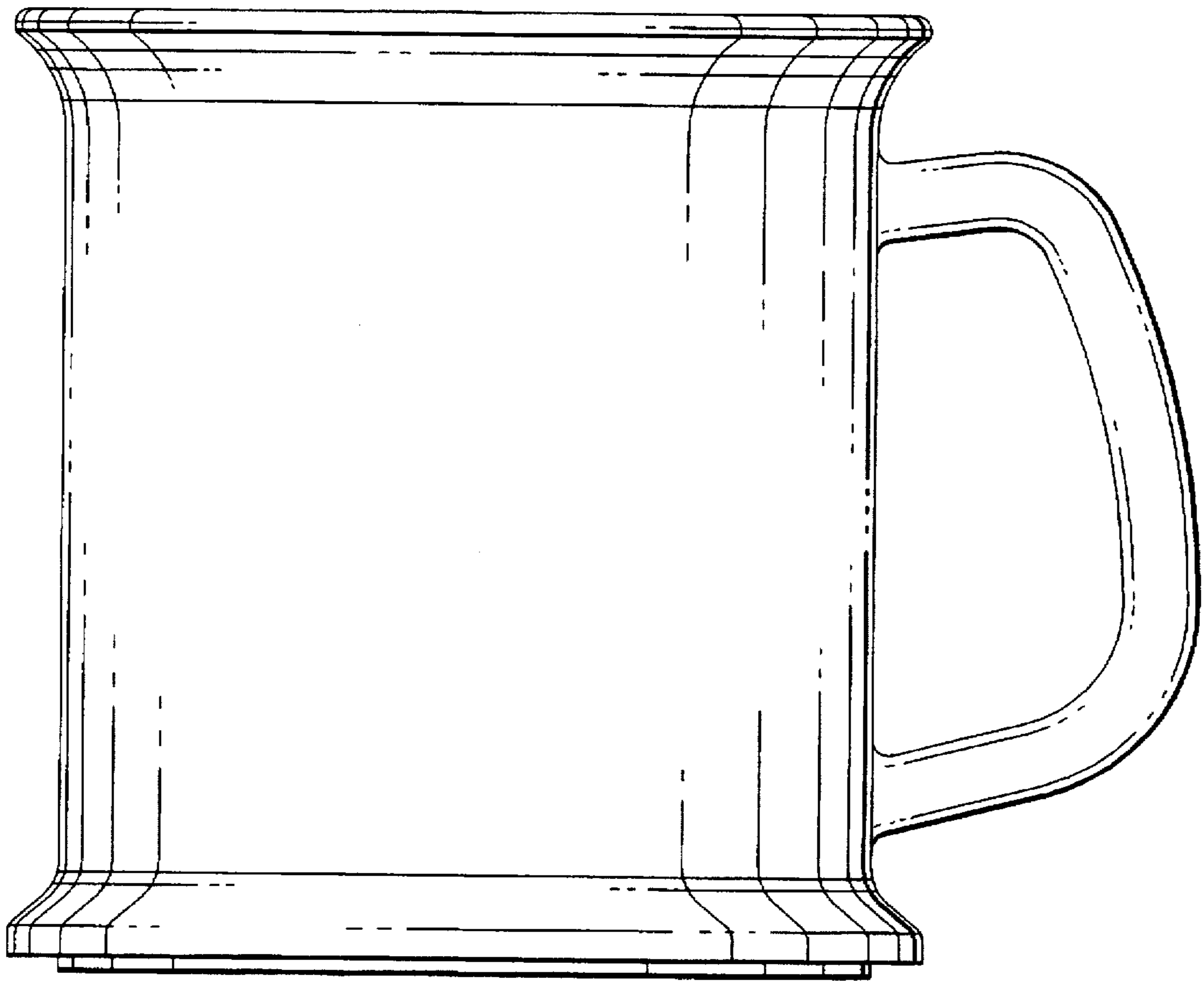


FIG. 9

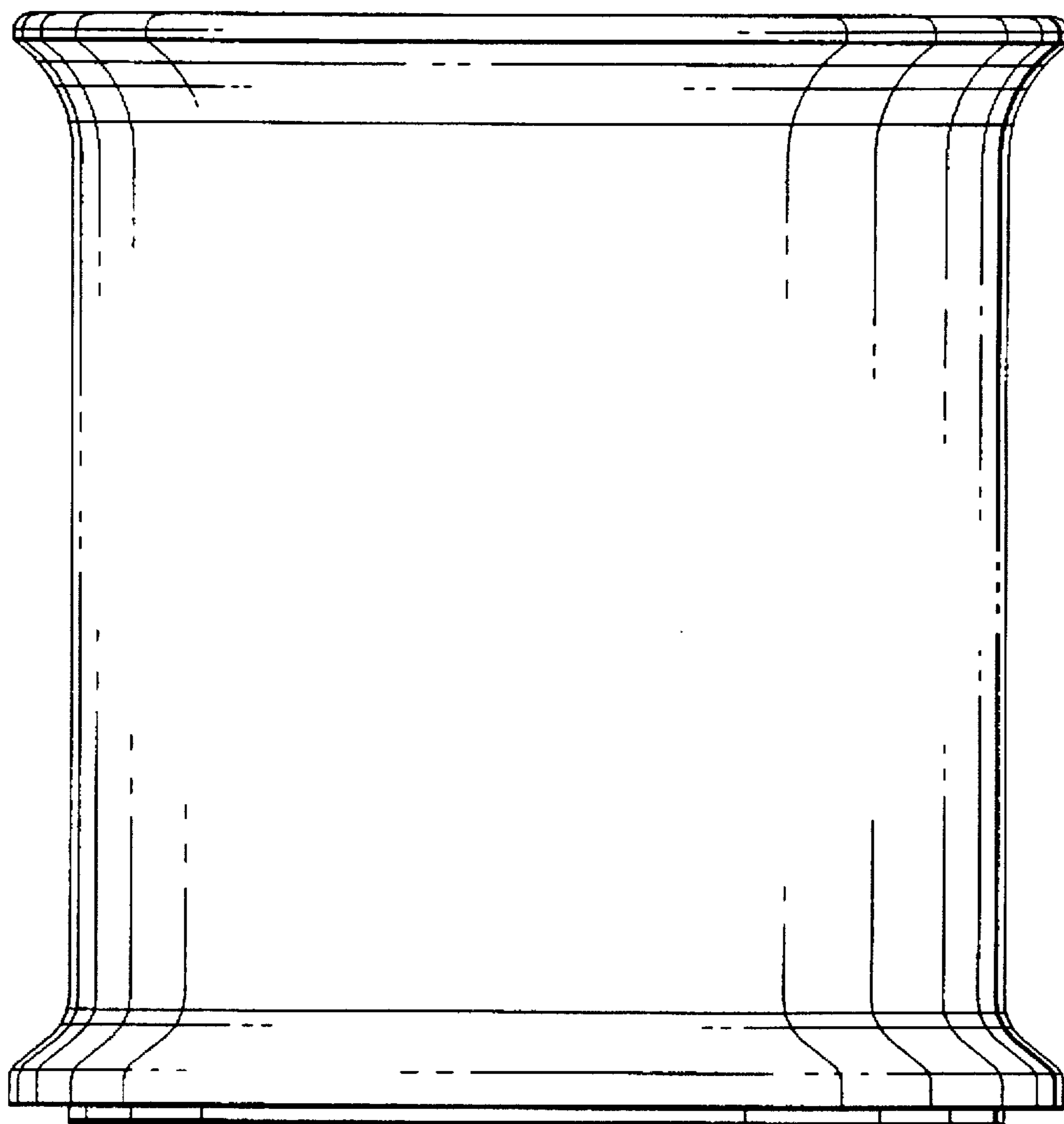


FIG. 10

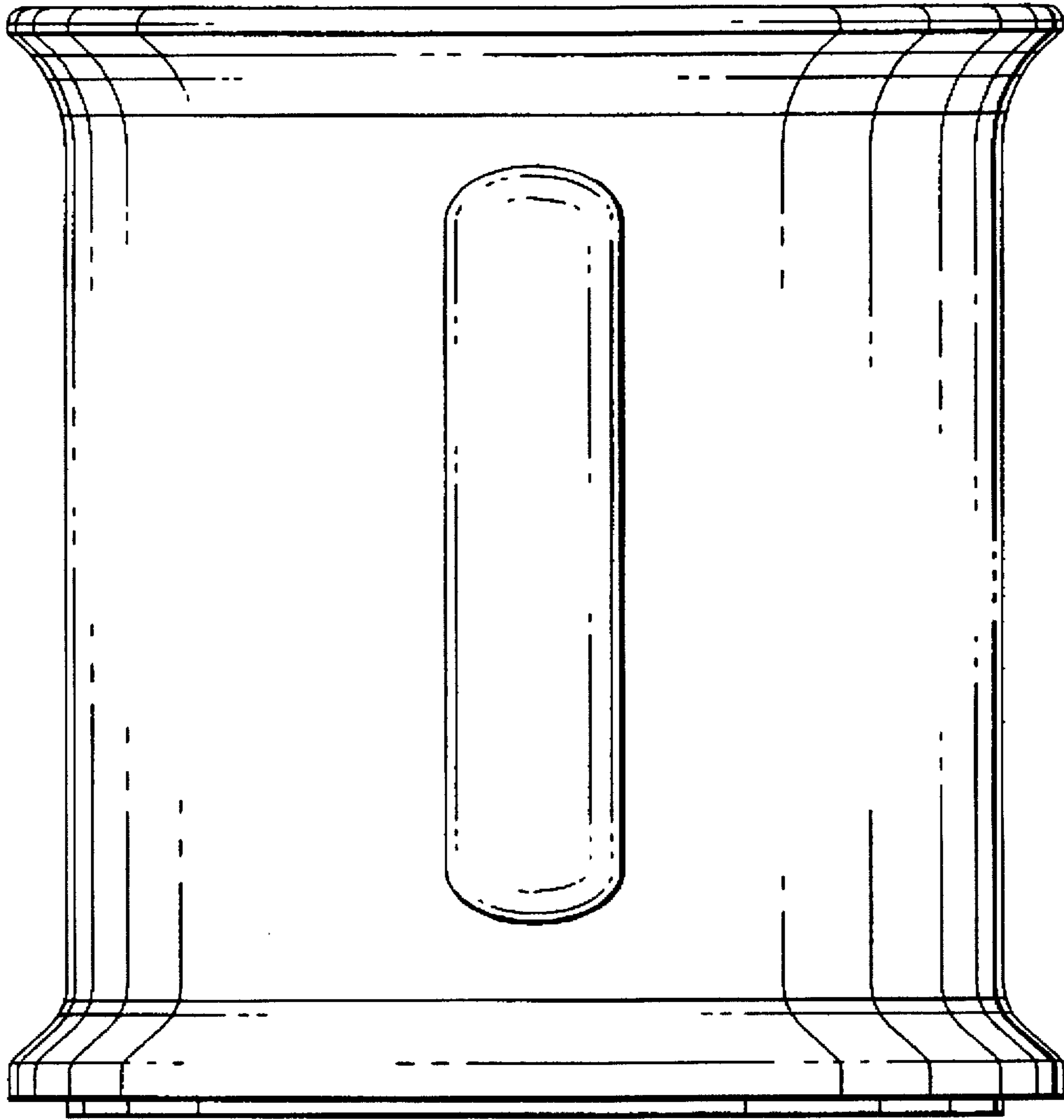


FIG. 11

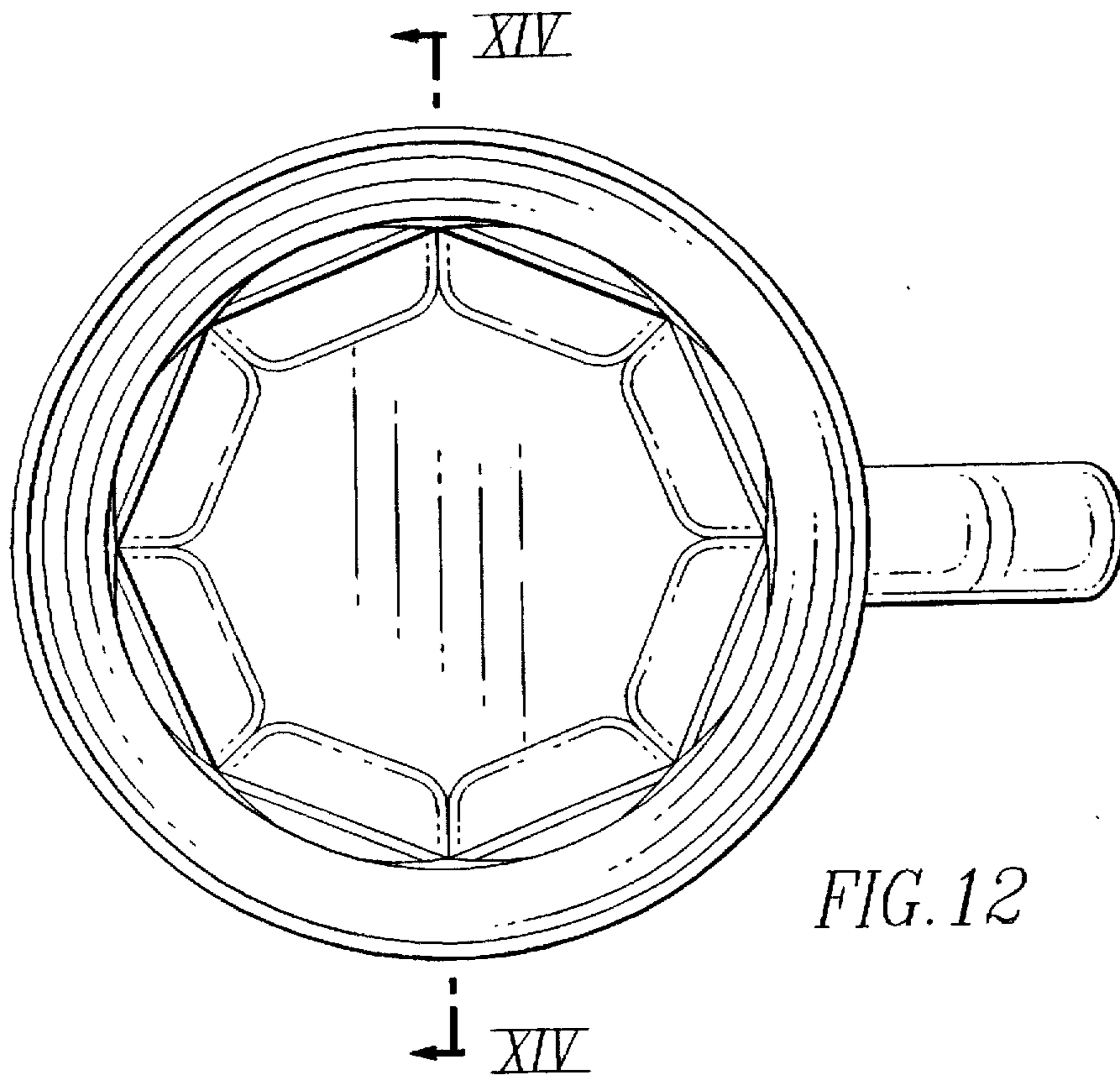


FIG. 12

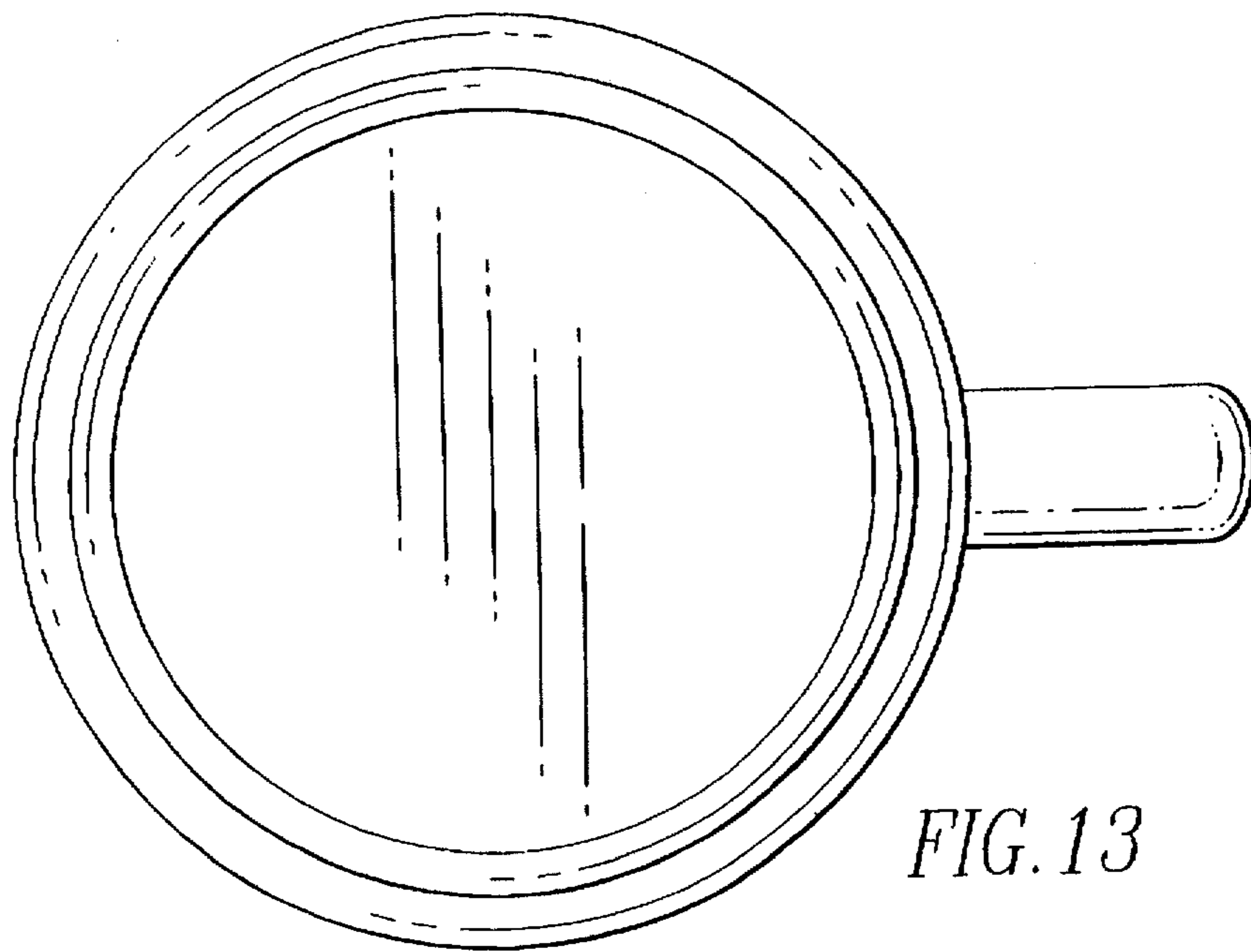


FIG. 13

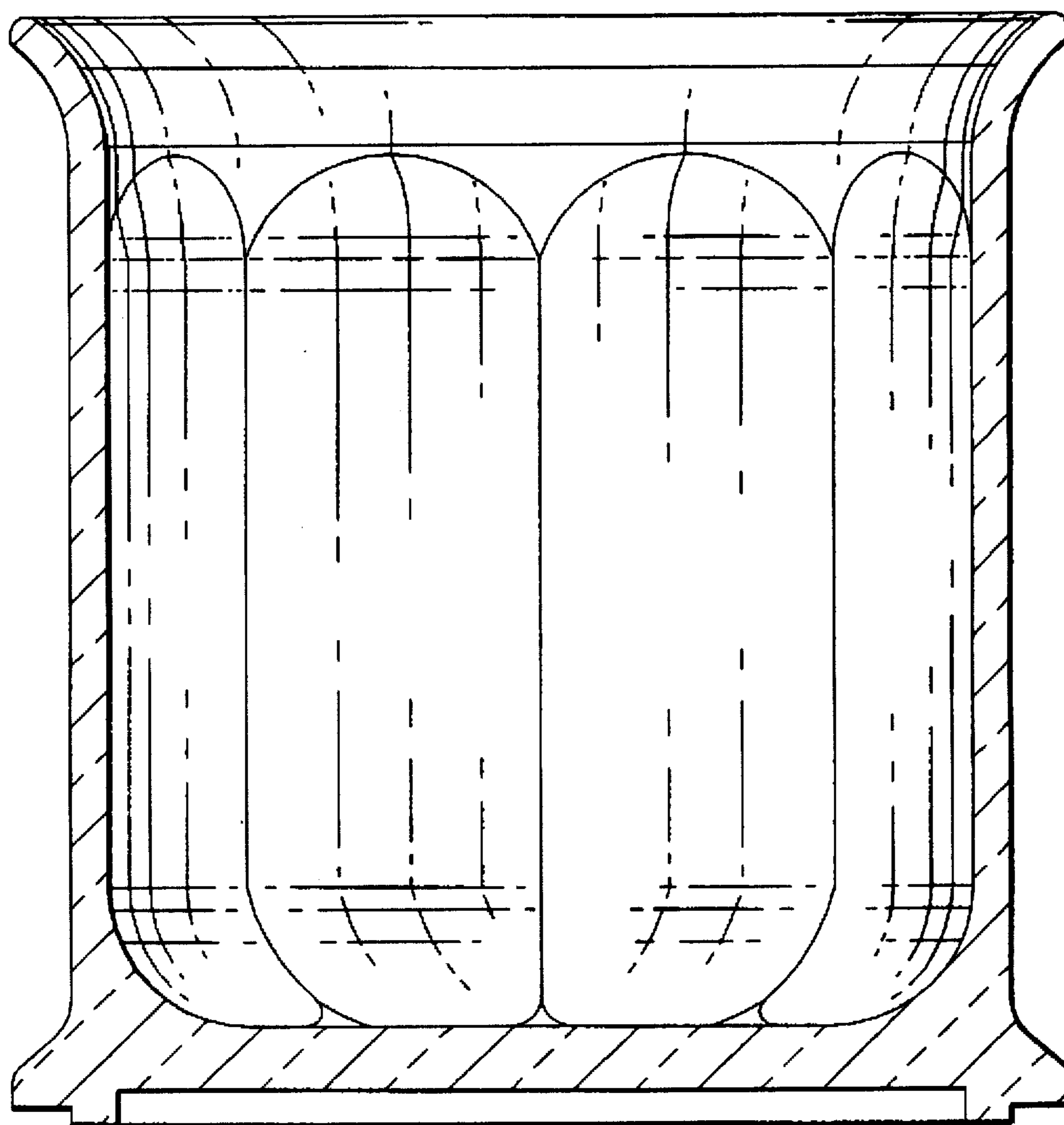


FIG. 14

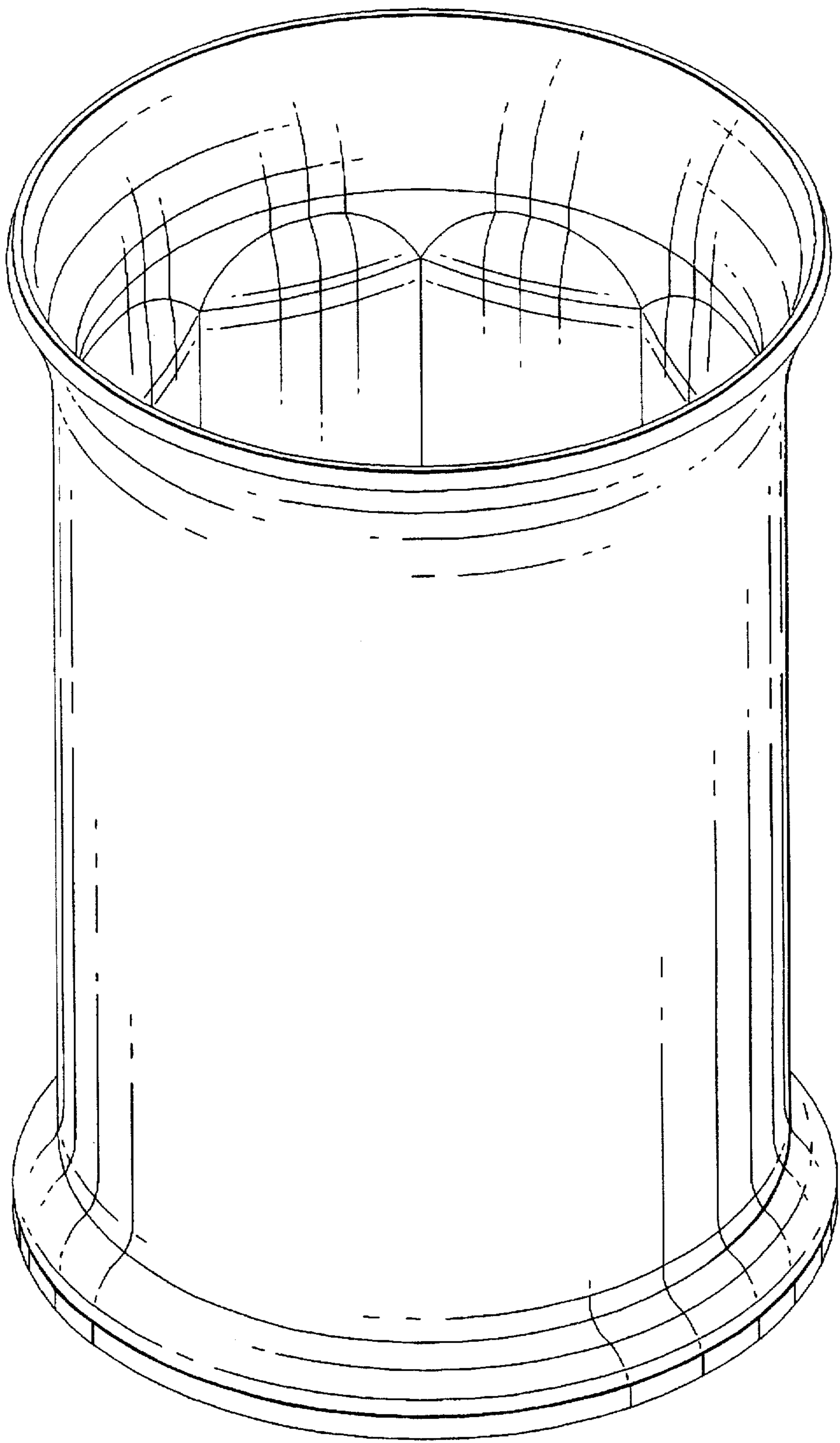


FIG. 15

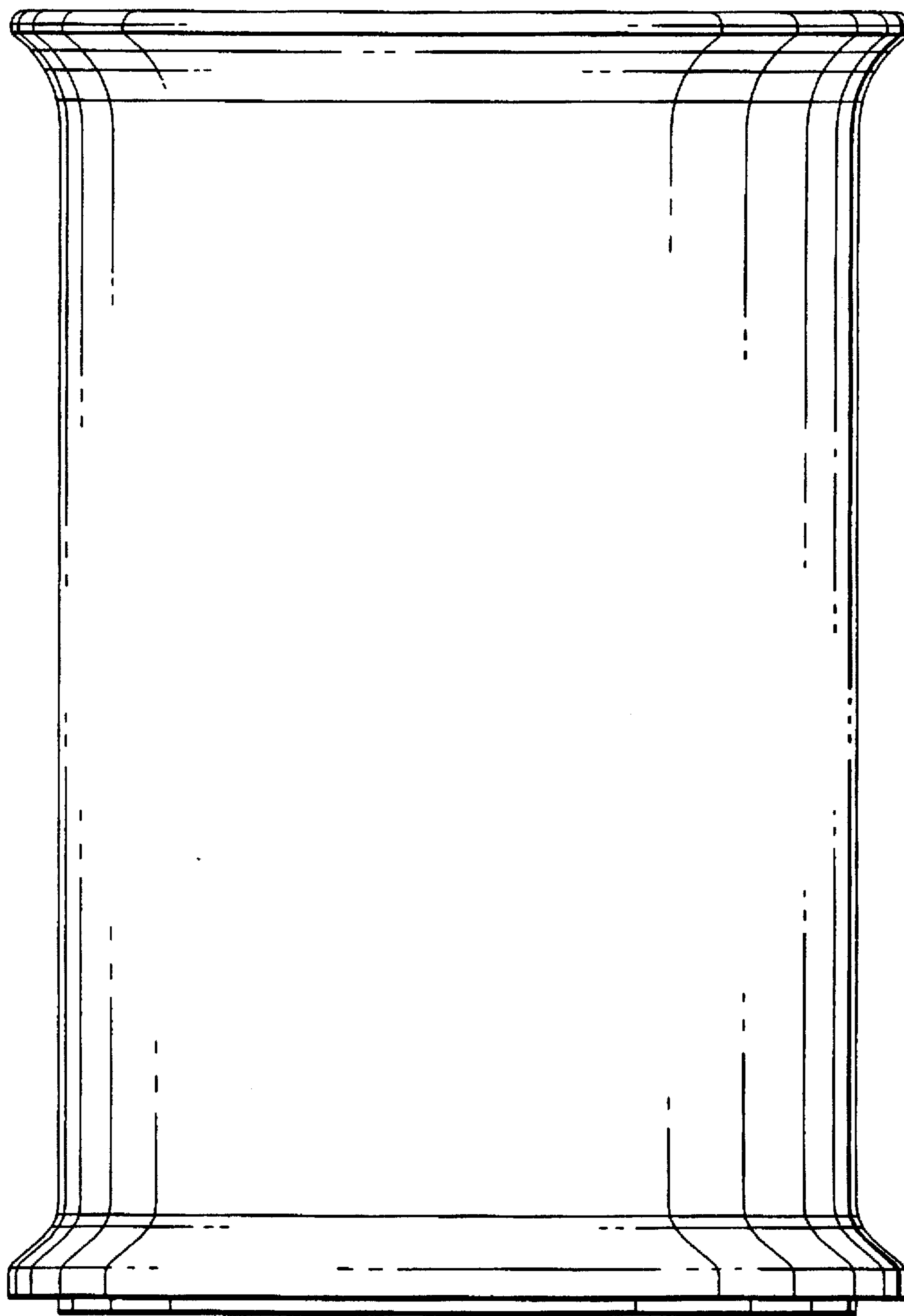


FIG. 16

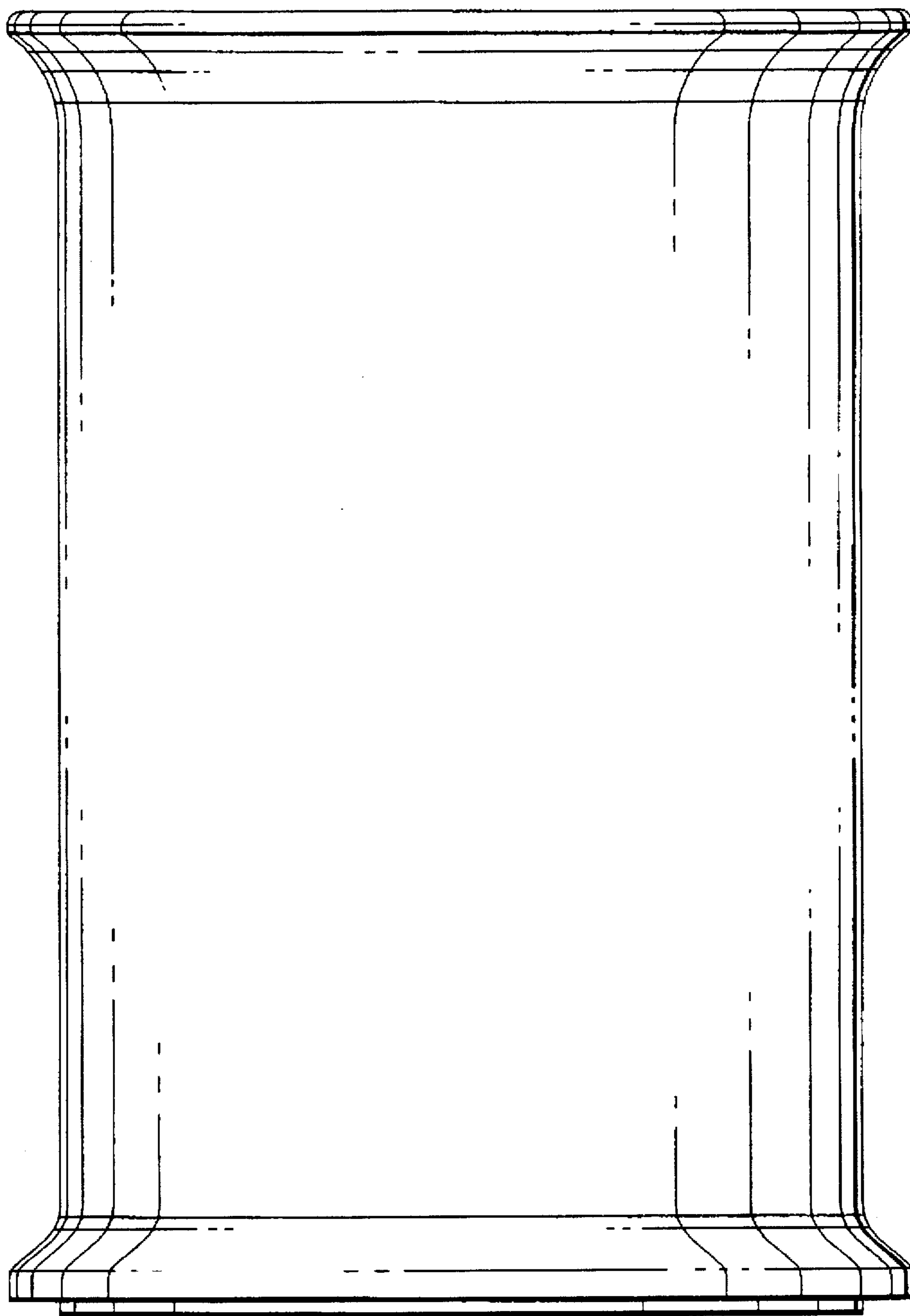


FIG. 17

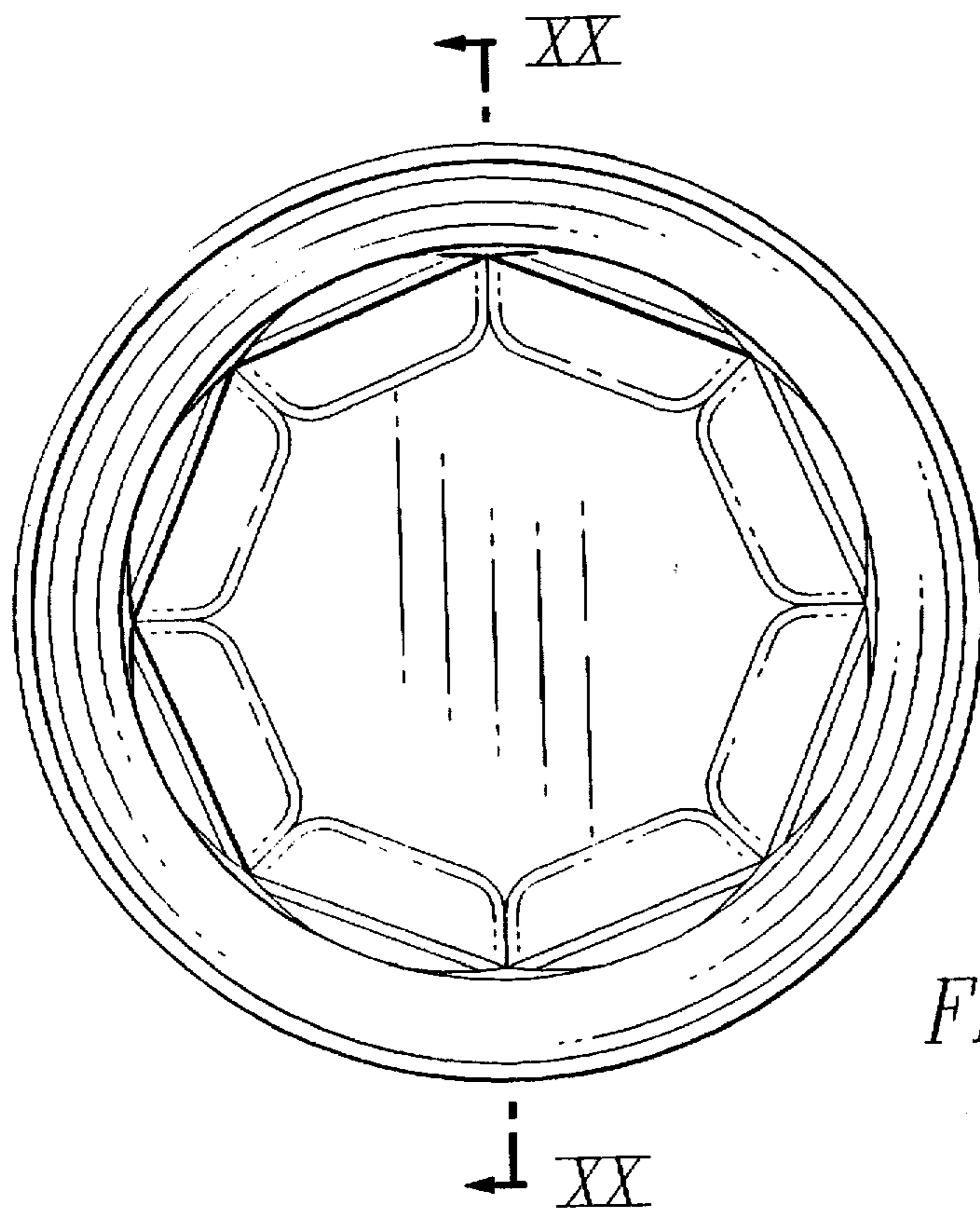


FIG. 18

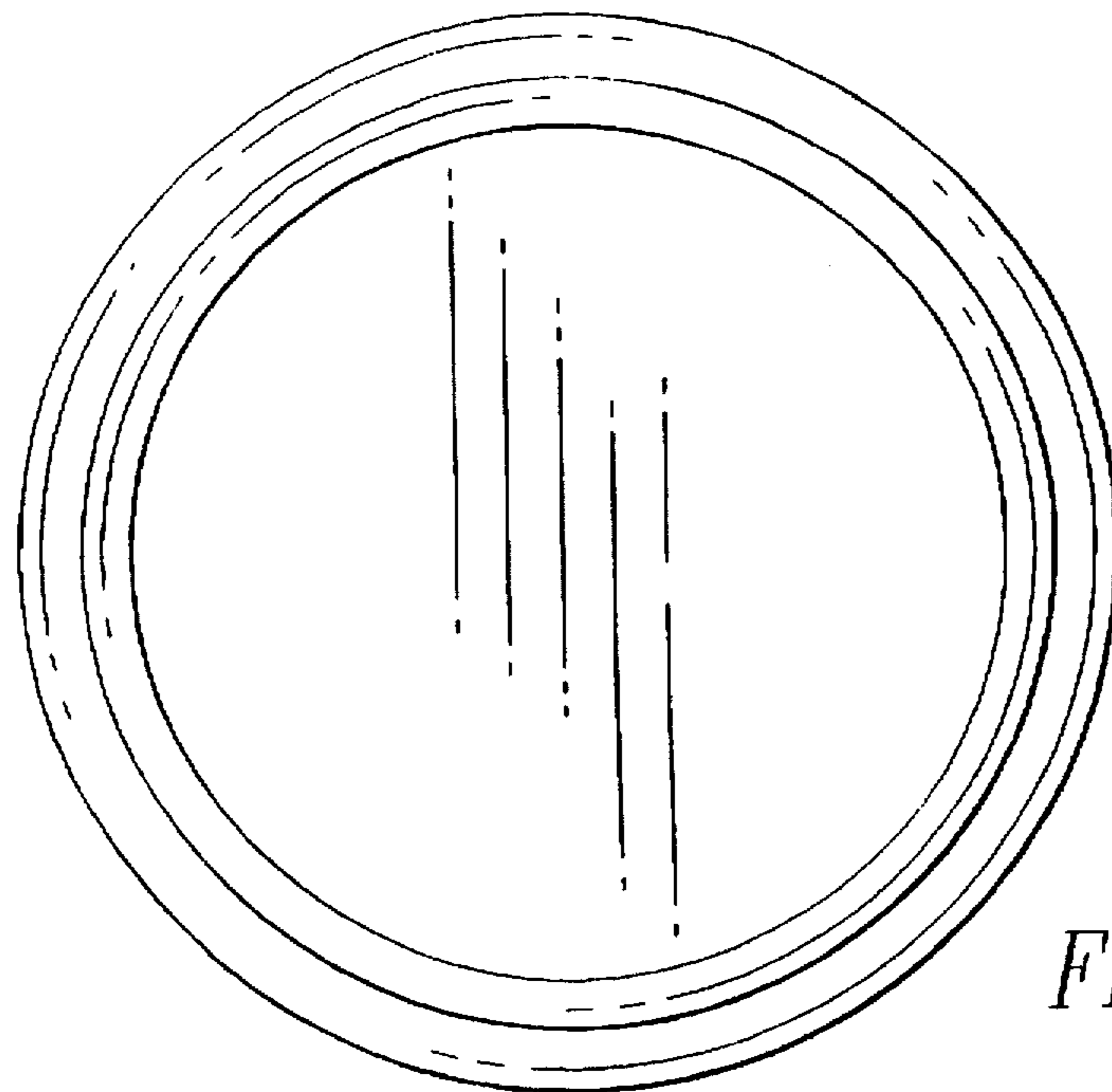


FIG. 19

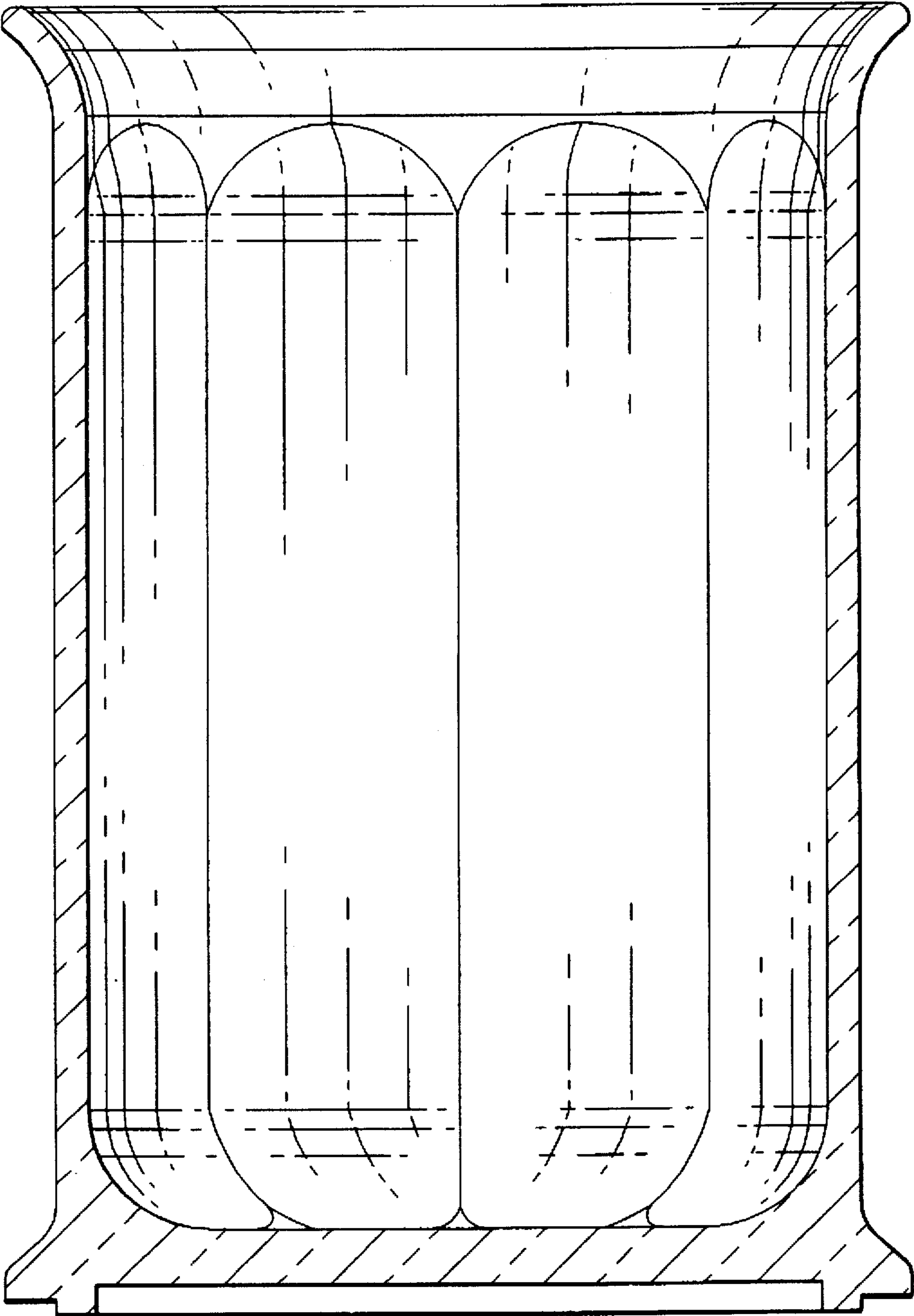


FIG. 20

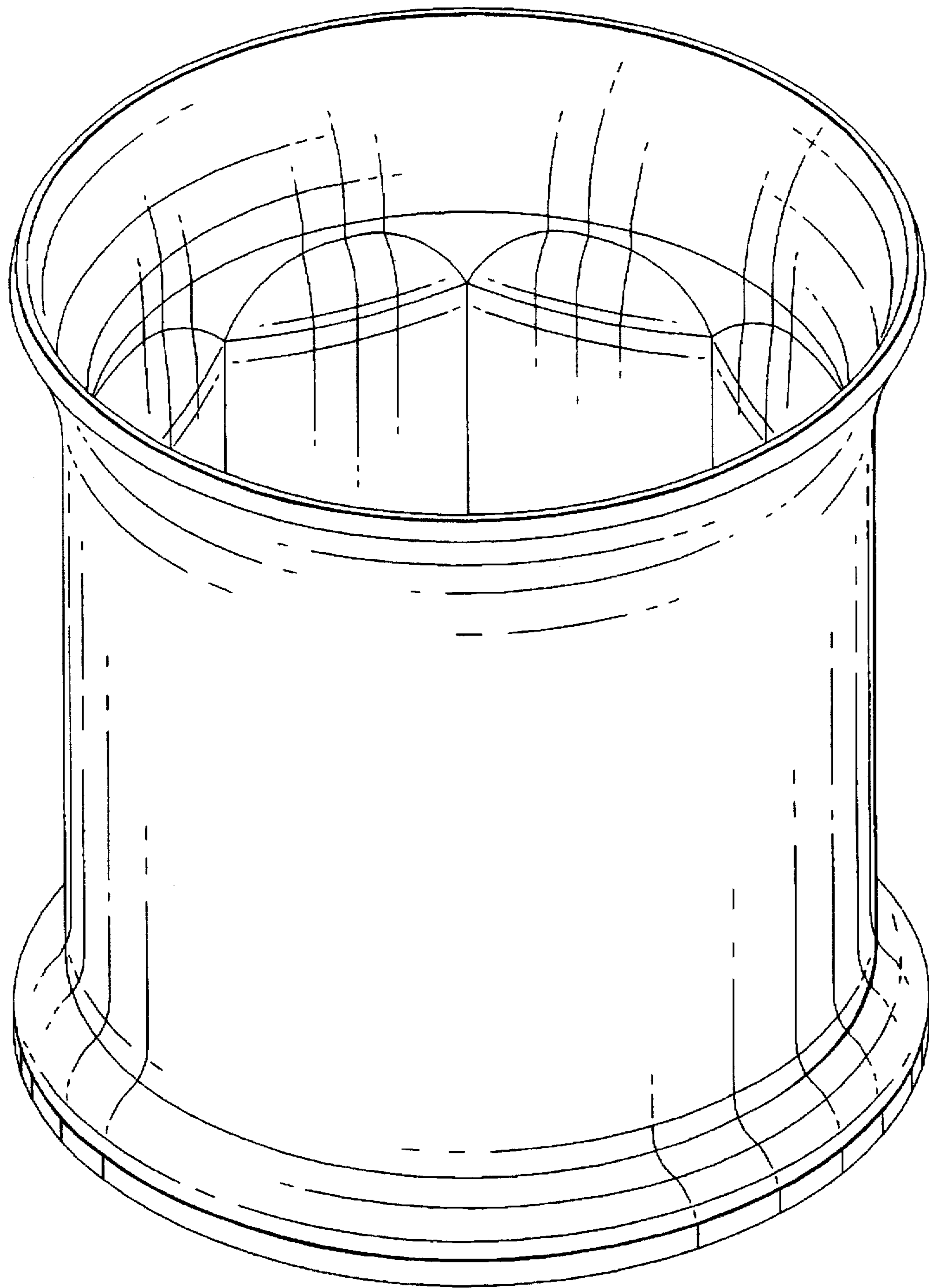


FIG. 21

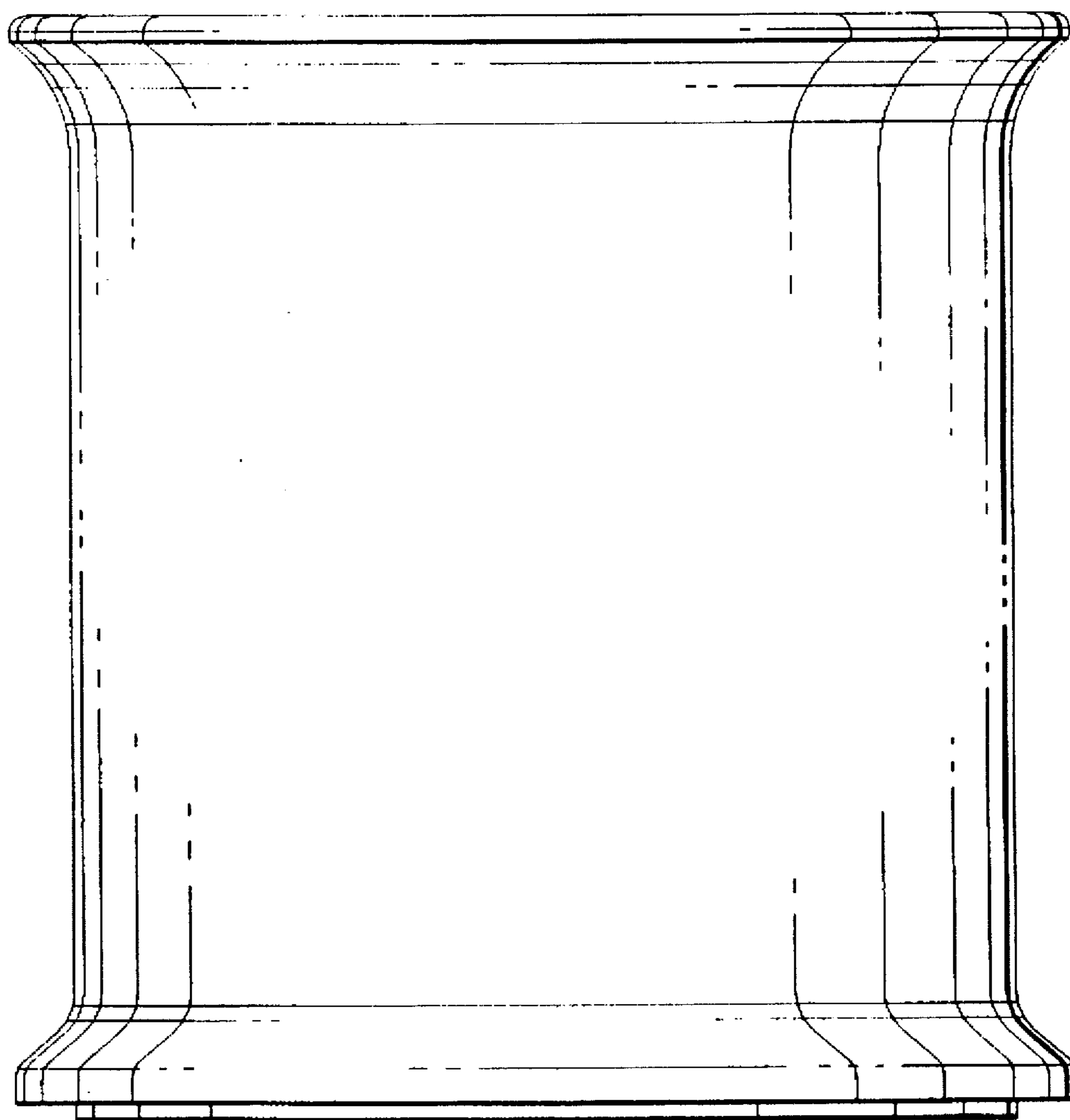


FIG. 22

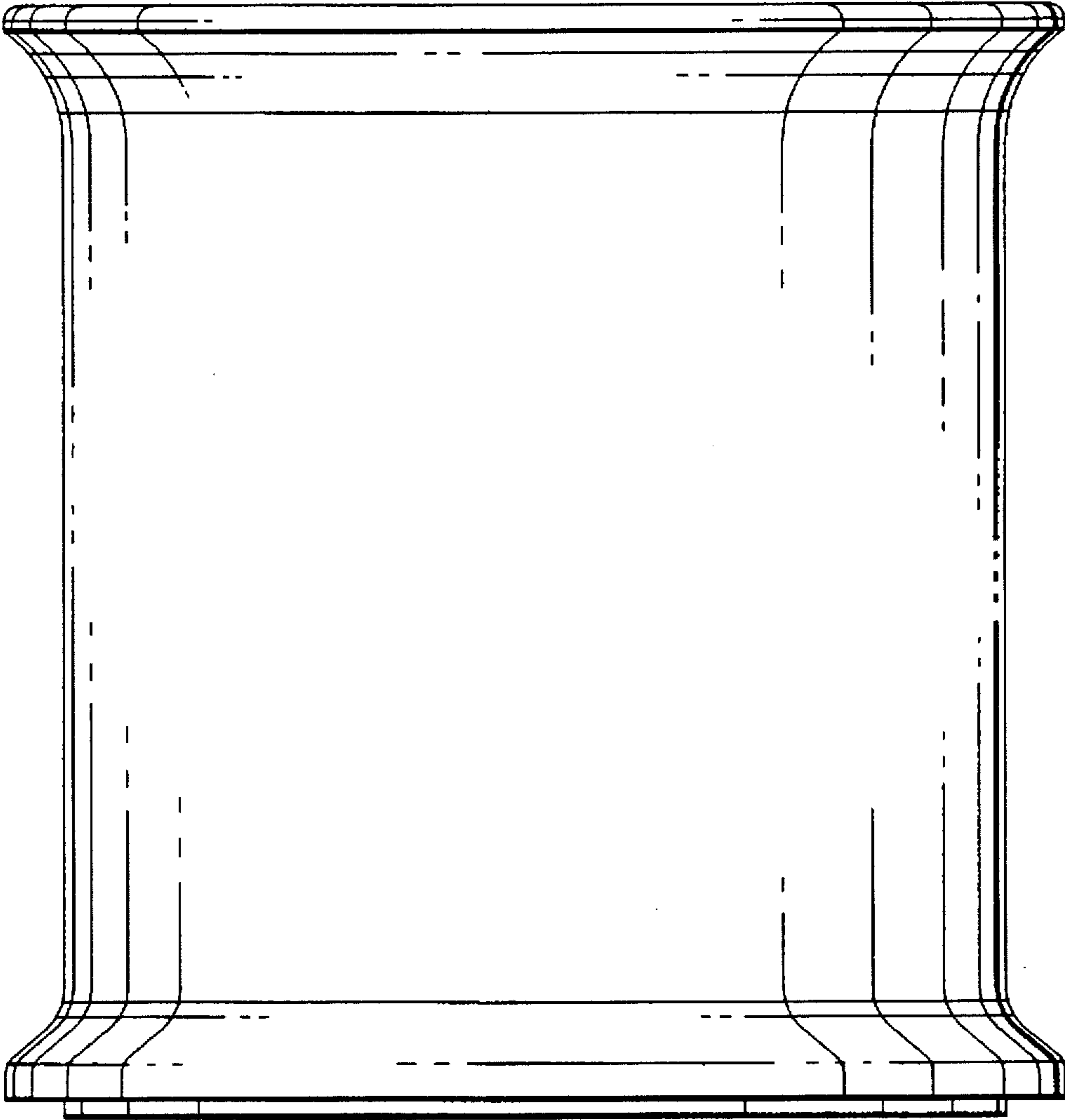


FIG. 23

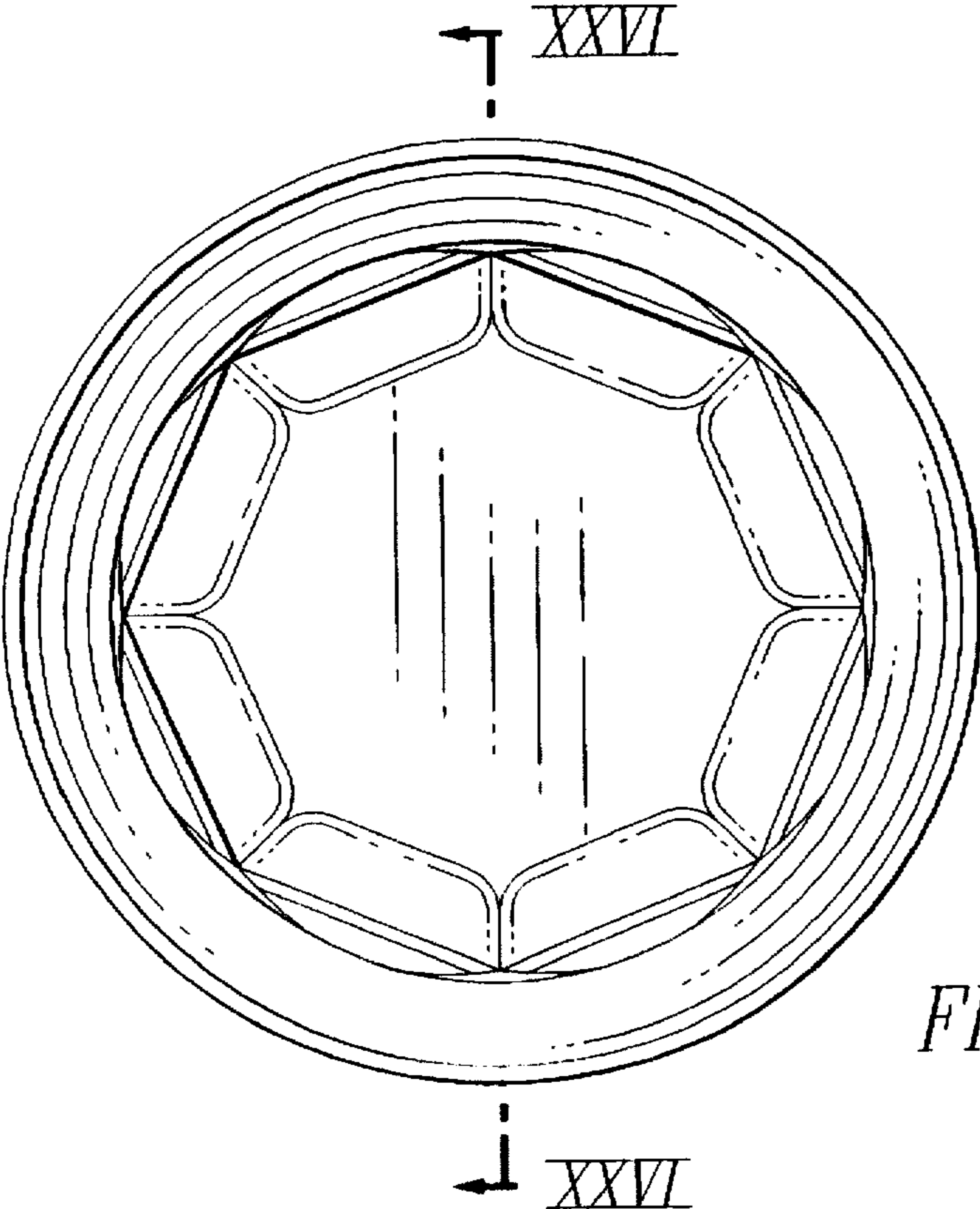


FIG. 24

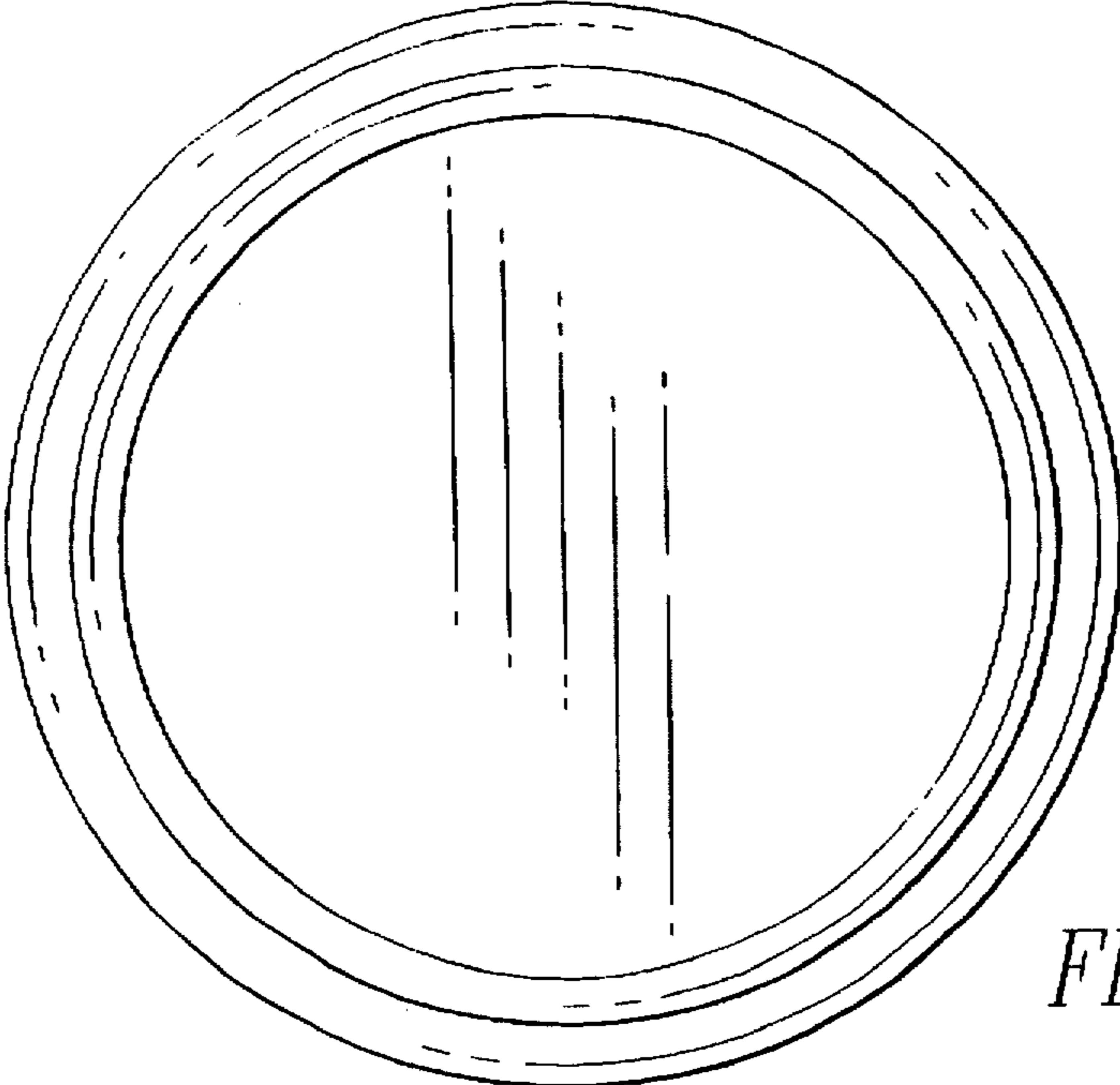


FIG. 25

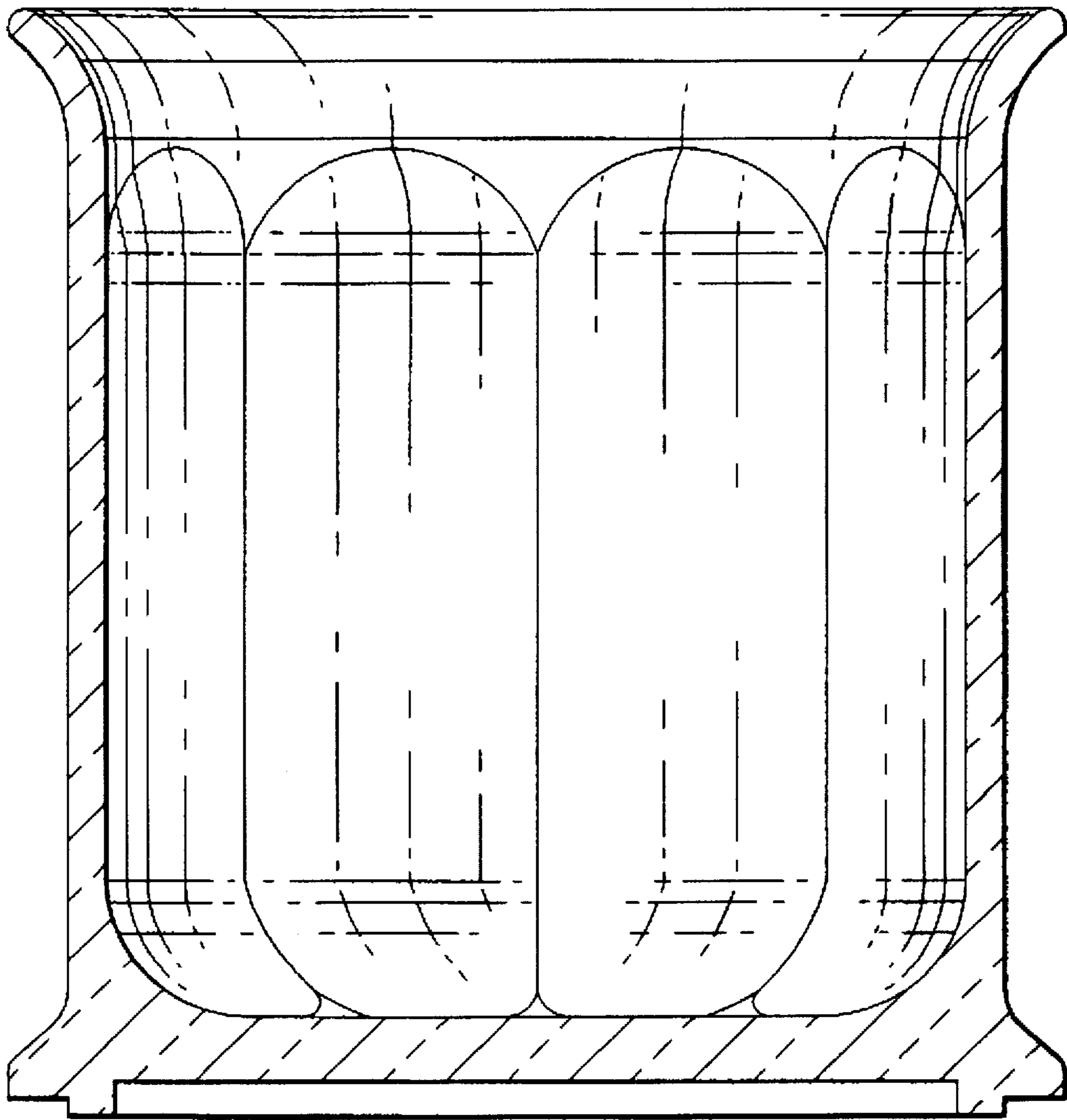


FIG. 26

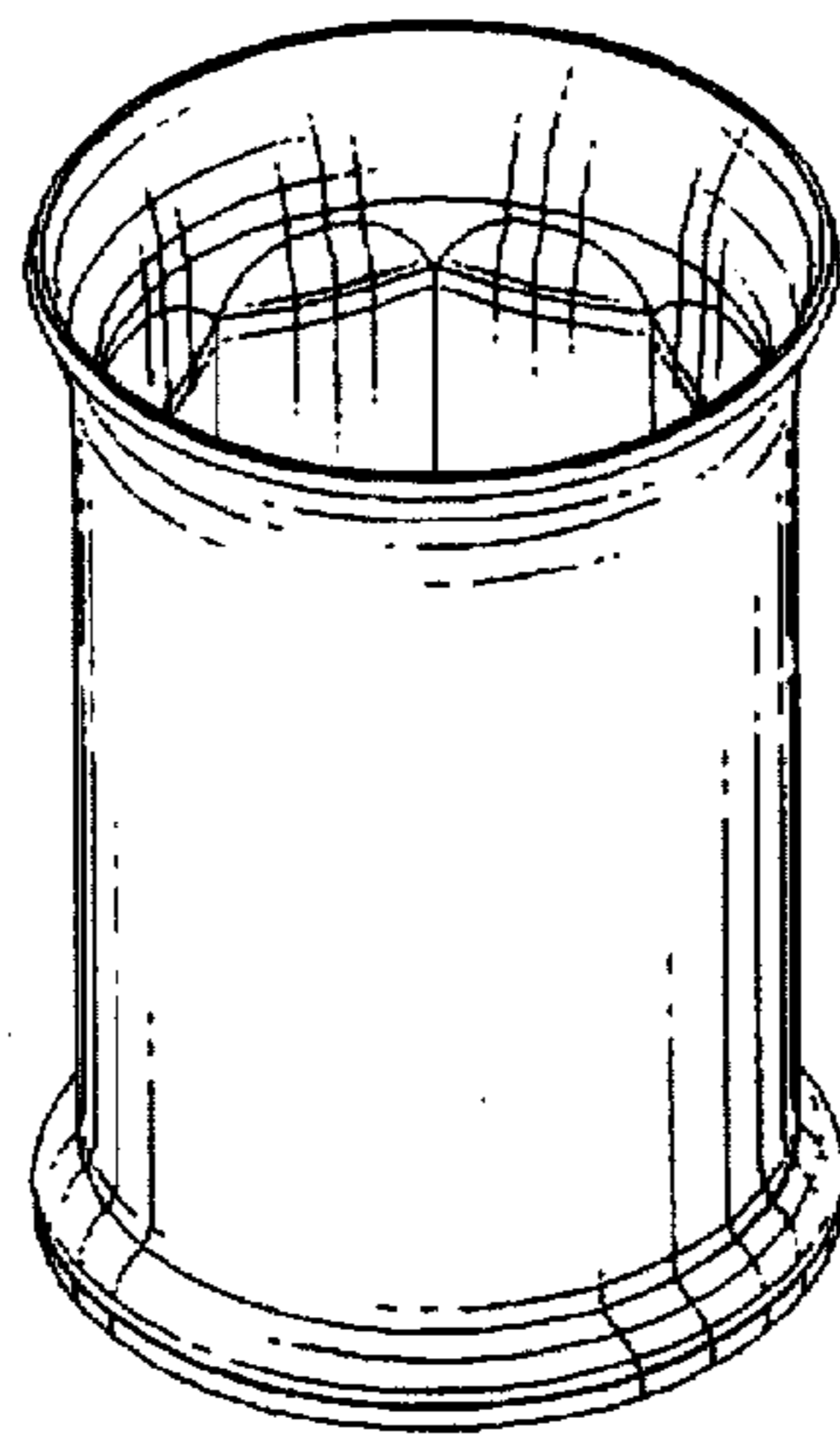


FIG. 27

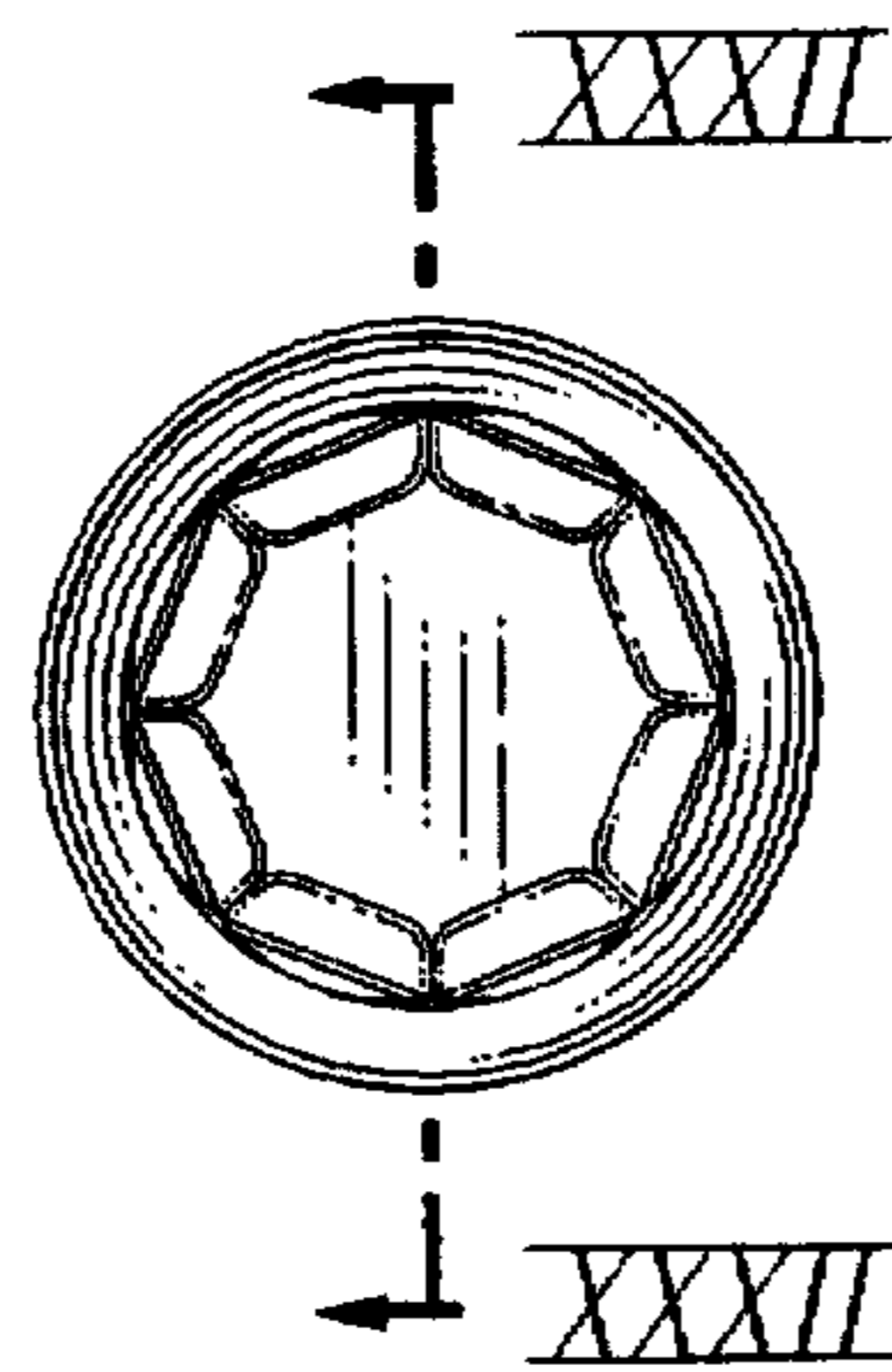


FIG. 30

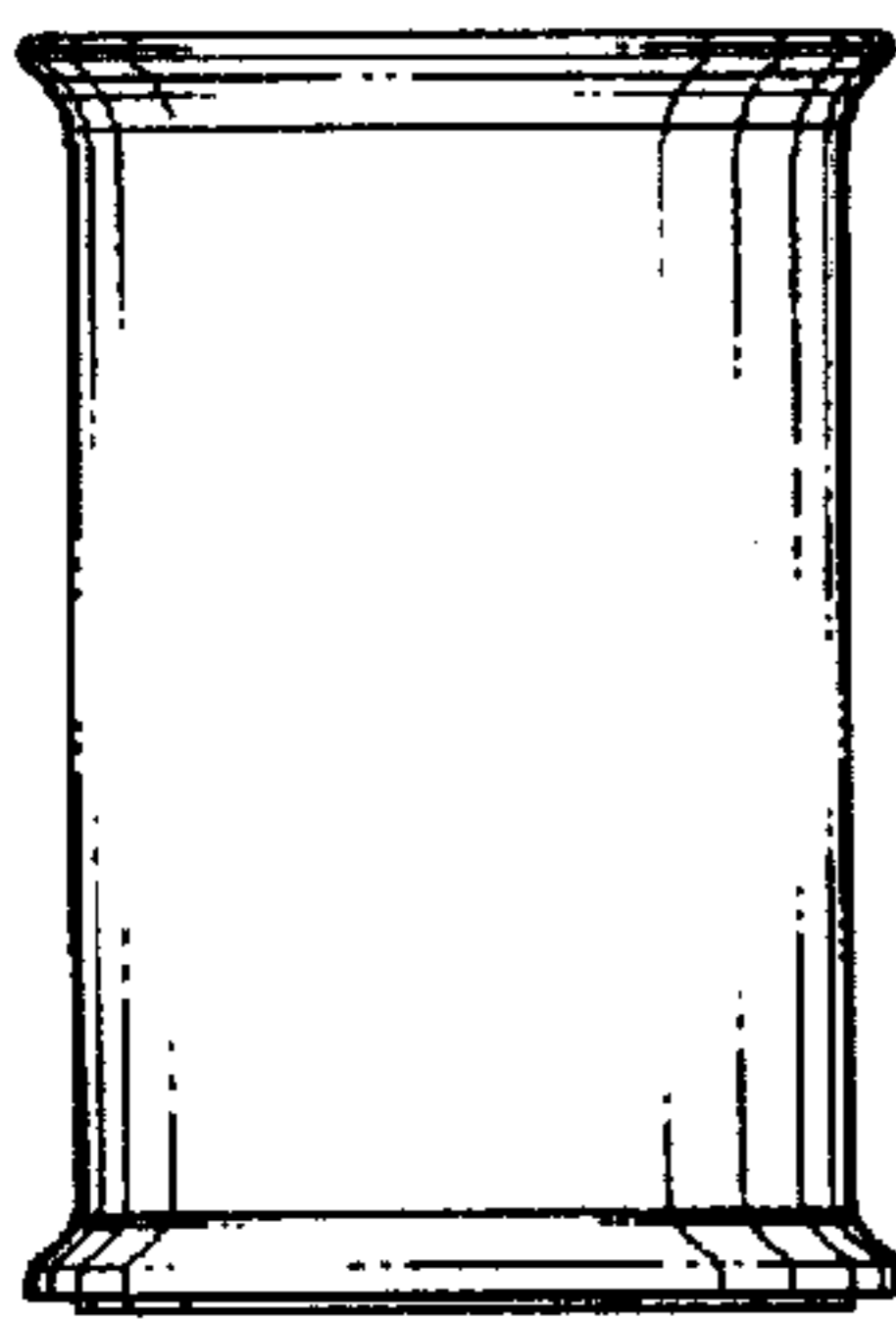


FIG. 28

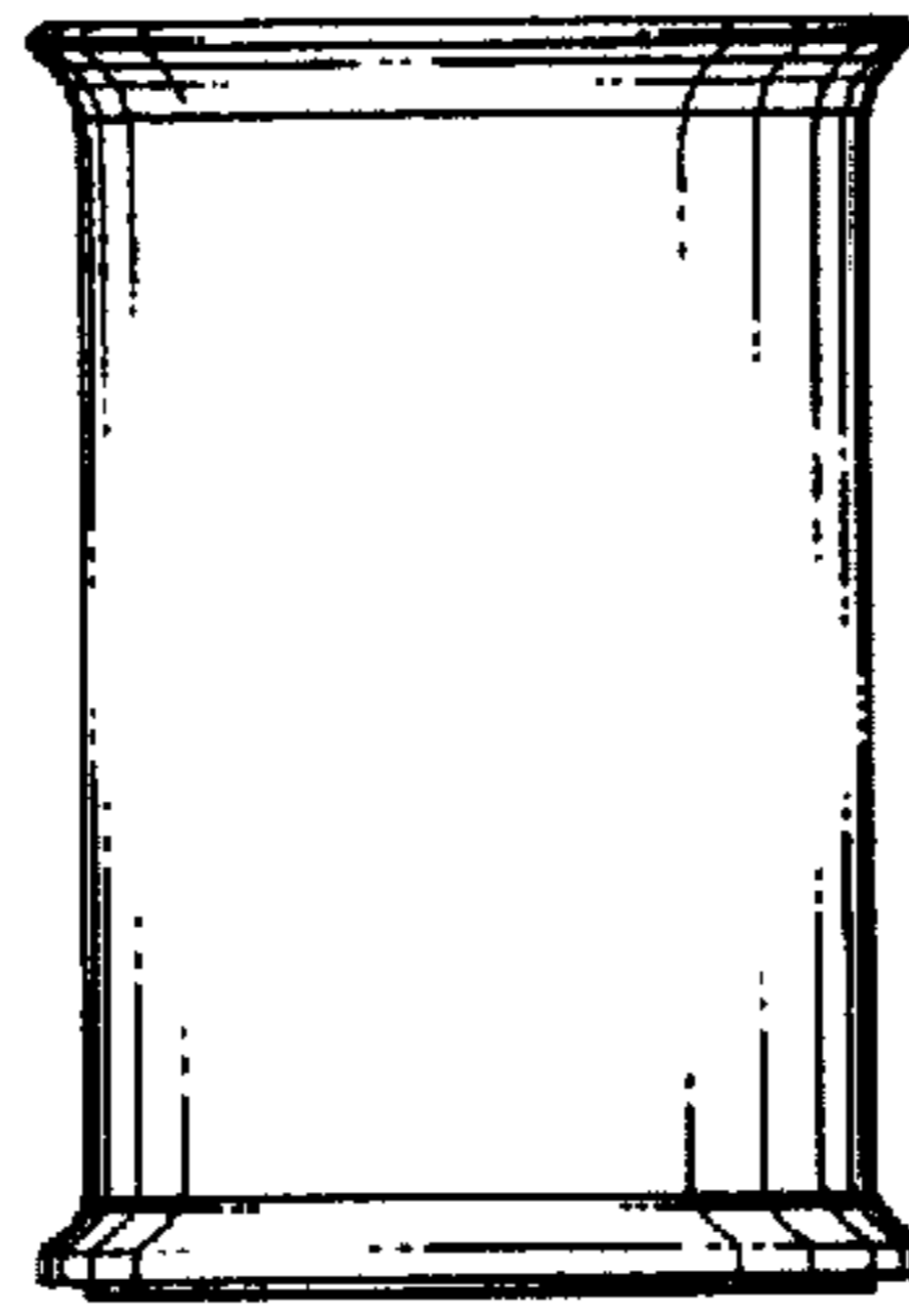


FIG. 29

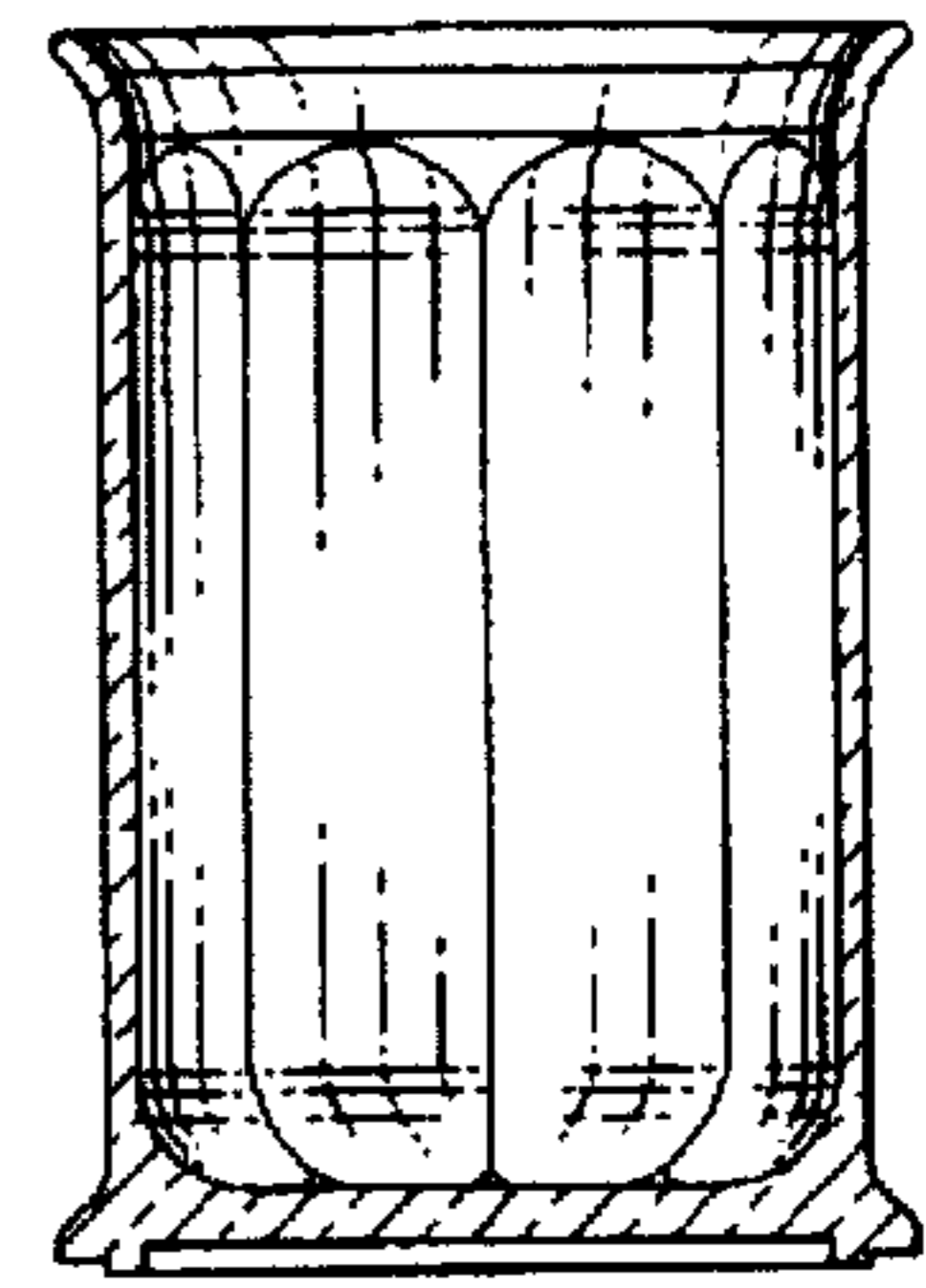


FIG. 32

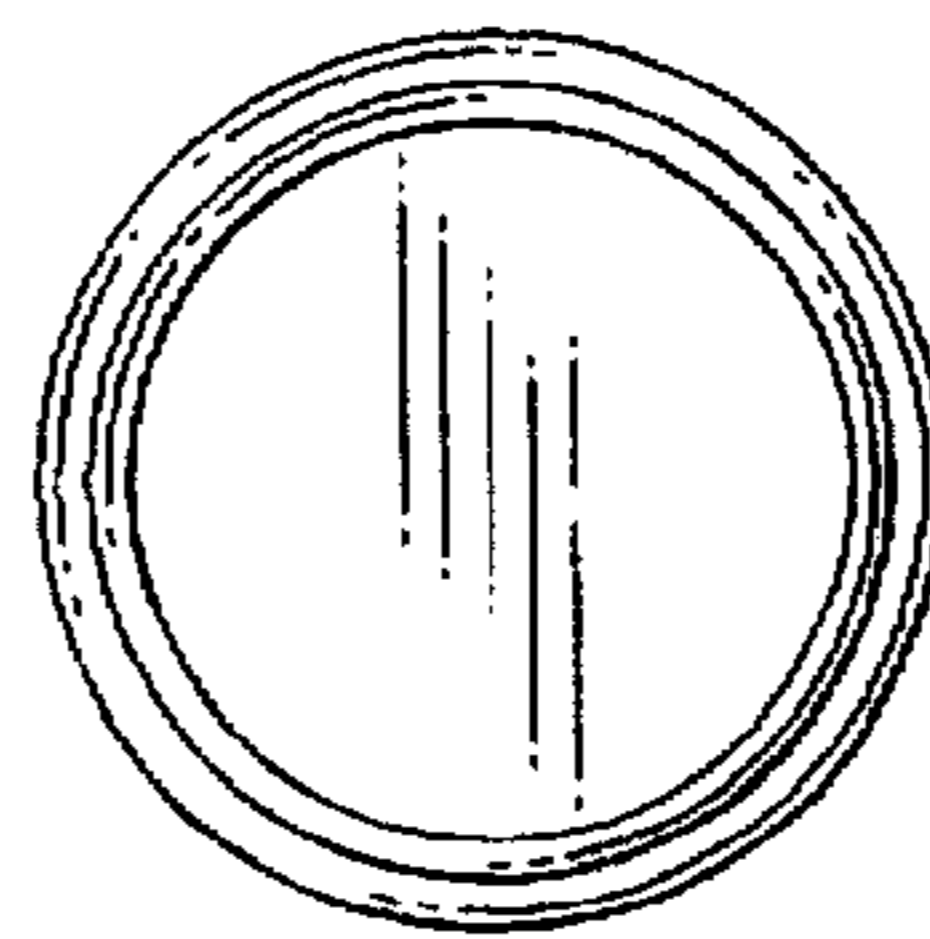


FIG. 31