



US00D384243S

**United States Patent** [19]  
**Nicollet**

[11] **Patent Number: Des. 384,243**  
[45] **Date of Patent: \*\*Sep. 30, 1997**

[54] **HANDLE FOR COOKING UTENSILS**

[75] **Inventor: Eric Nicollet, Rumilly, France**

[73] **Assignee: Tefal S.A., Rumilly, France**

[\*\*] **Term: 14 Years**

[21] **Appl. No.: 56,451**

[22] **Filed: Jun. 28, 1996**

[30] **Foreign Application Priority Data**

Jan. 3, 1996 [FR] France ..... 96 0018

[51] **LOC (6) Cl. .... 07-02**

[52] **U.S. Cl. .... D7/395**

[58] **Field of Search ..... D7/323, 354, 355,  
D7/356, 361, 393, 395; 16/110 R, 110 A,  
114 A, 116 R, 118; 220/752, 912; D8/107**

[56] **References Cited**

**U.S. PATENT DOCUMENTS**

D. 200,489 3/1965 Munson et al. .... D7/395

D. 202,512 10/1965 Imhoff ..... D7/395

D. 331,171 11/1992 Berthet ..... D7/393 X

*Primary Examiner*—Caron D. Veynar  
*Attorney, Agent, or Firm*—Young & Thompson

[57] **CLAIM**

The ornamental design for a handle for cooking utensils, as shown and described.

**DESCRIPTION**

FIG. 1 is a perspective view of a handle for cooking utensils, showing my new design;

FIG. 2 is a perspective view from the side opposite that shown in FIG. 1, with a part thereof in an open position;

FIG. 3 is a top plan view thereof;

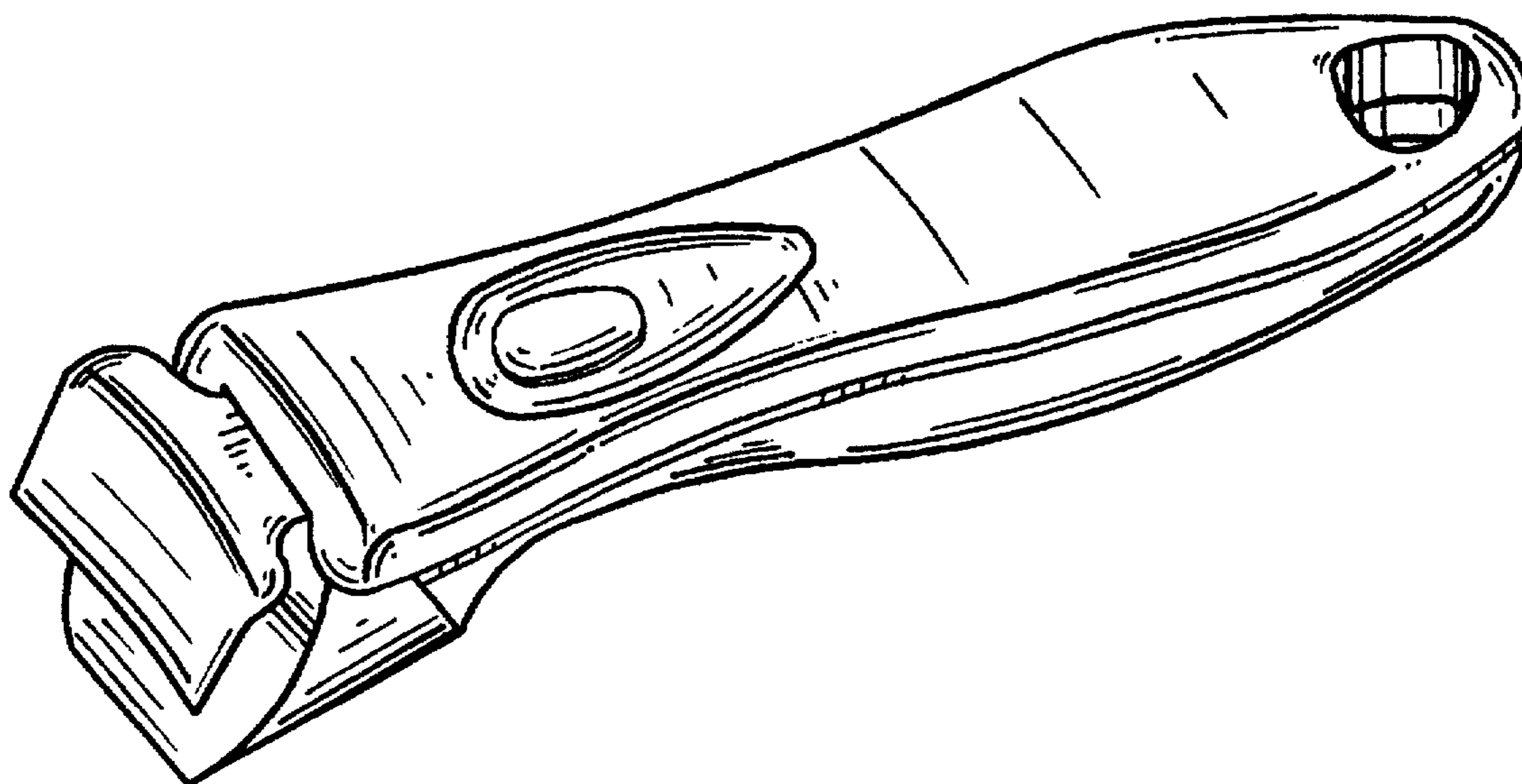
FIG. 4 is a bottom plan view thereof;

FIG. 5 is a side elevational view thereof, the side opposite that shown in FIG. 5 being the mirror image thereof;

FIG. 6 is an enlarged end elevational view thereof from the right of FIG. 5; and,

FIG. 7 is an enlarged end view thereof from the left of FIG. 5.

**1 Claim, 3 Drawing Sheets**



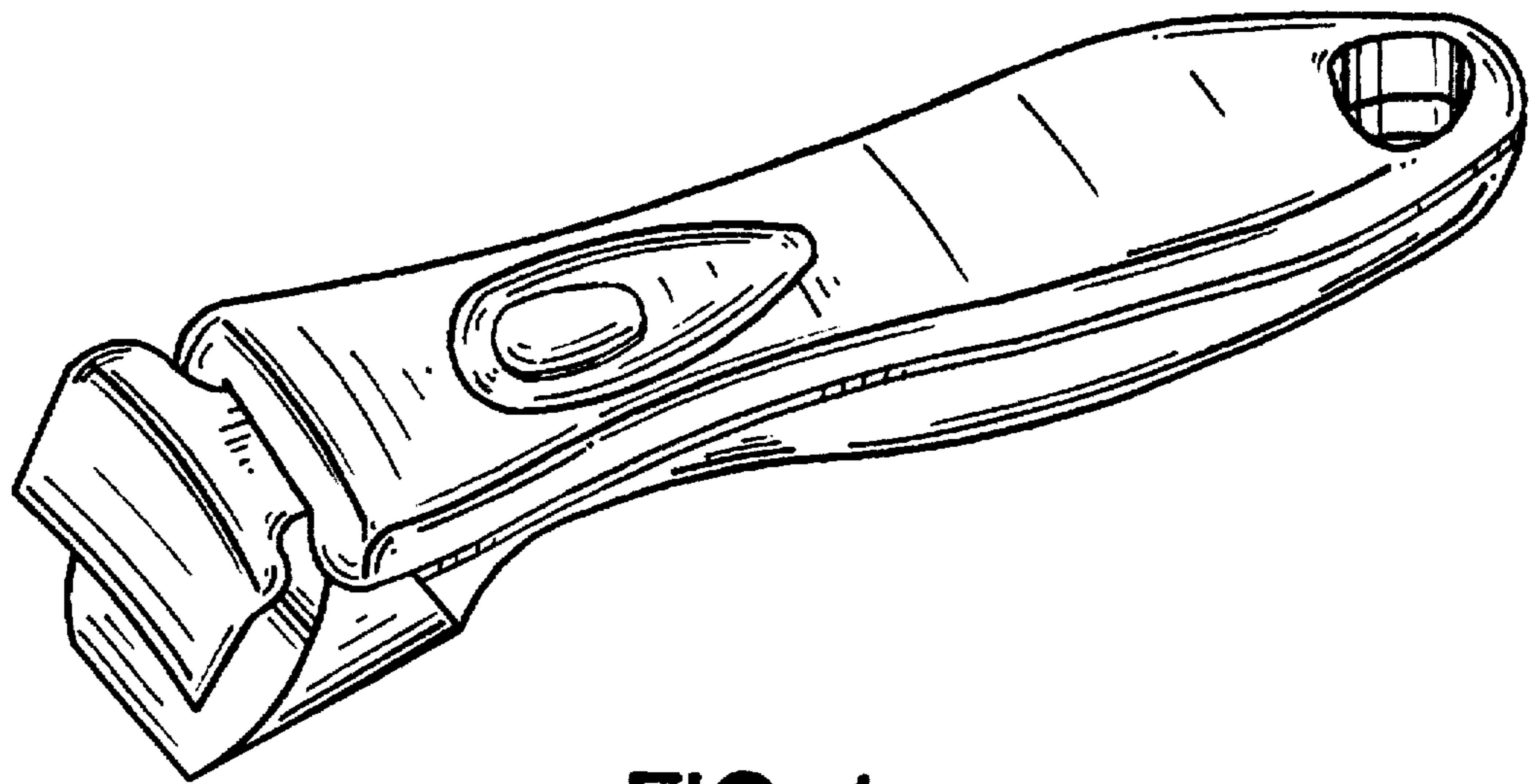


FIG. 1

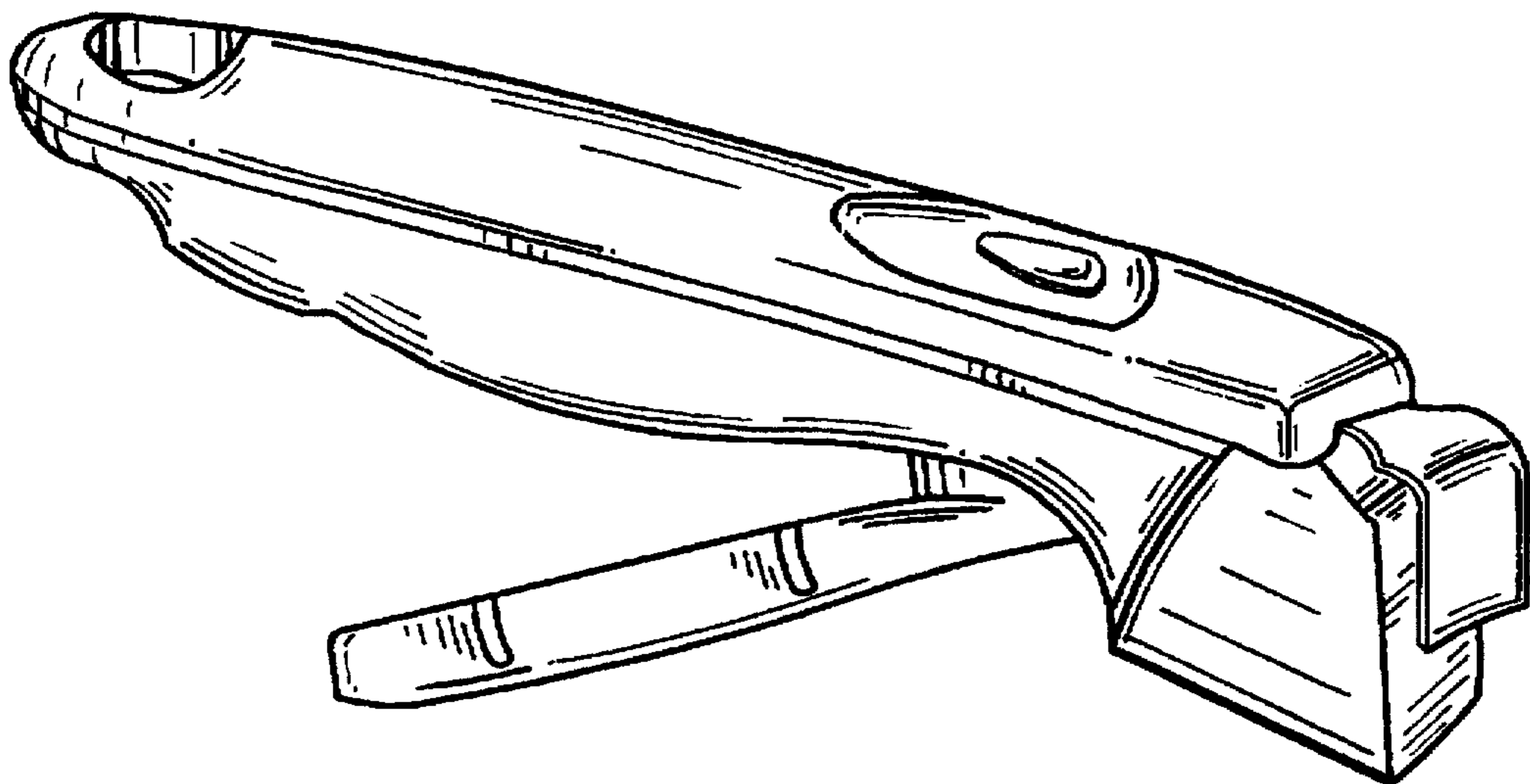


FIG. 2

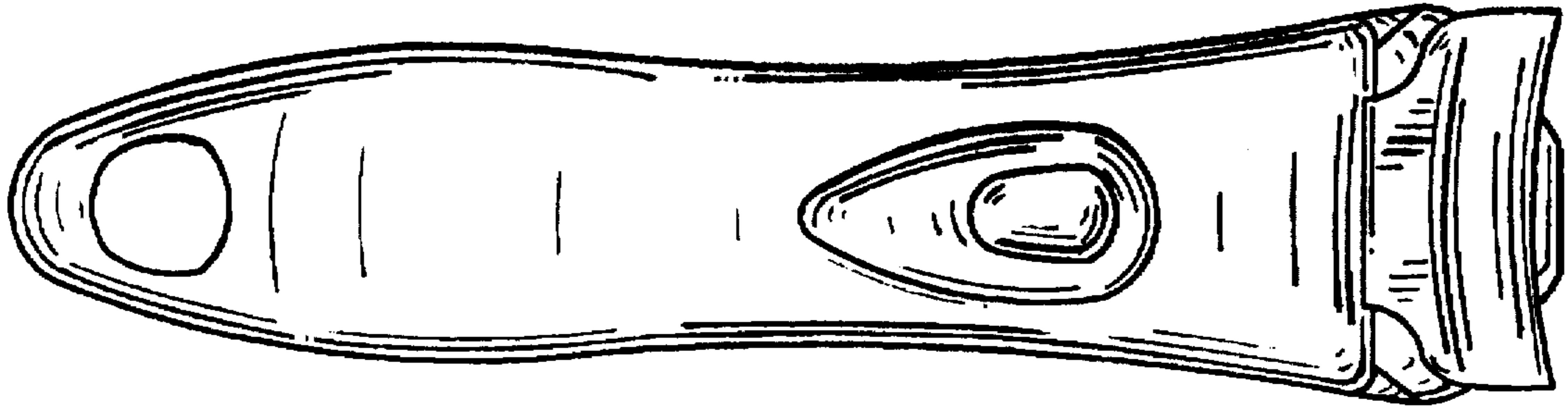


FIG. 3

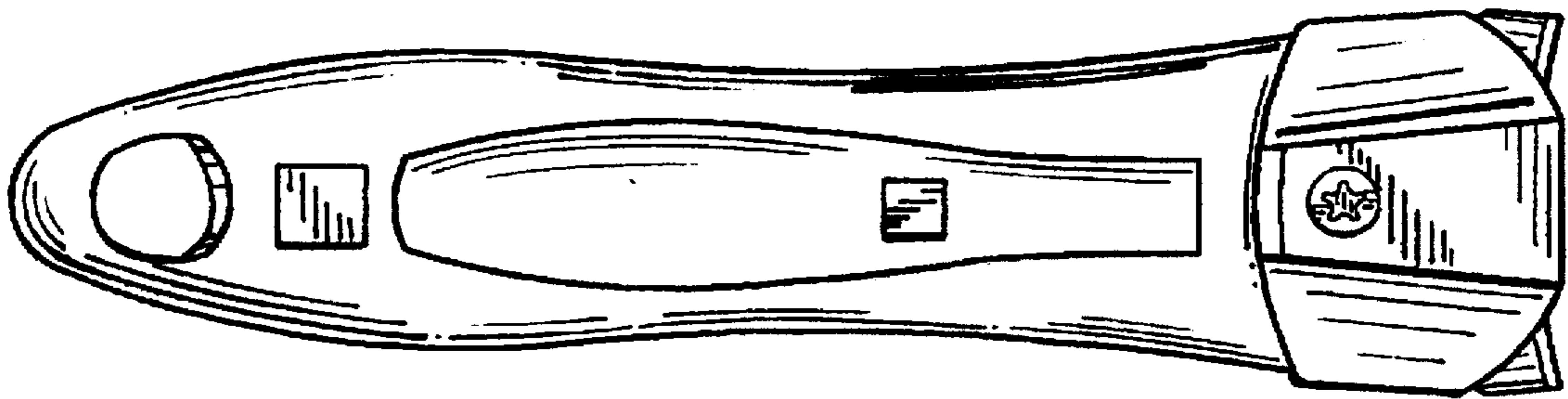


FIG. 4

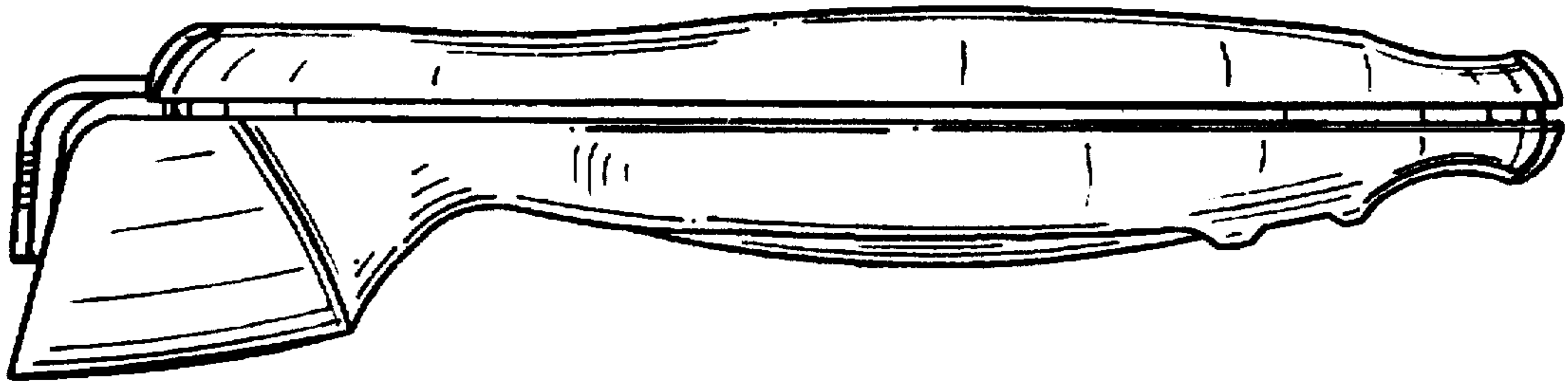


FIG. 5

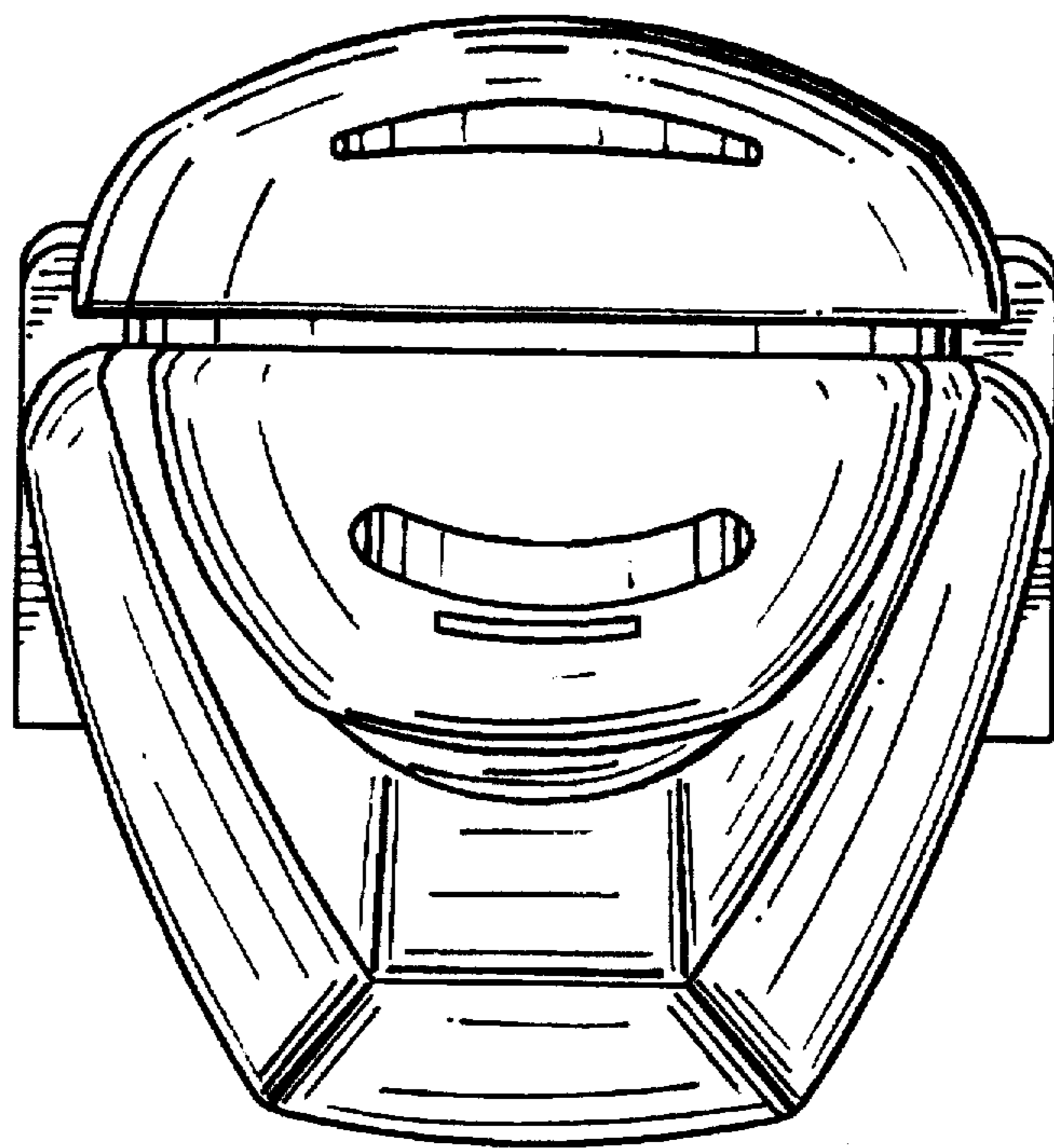


FIG. 6

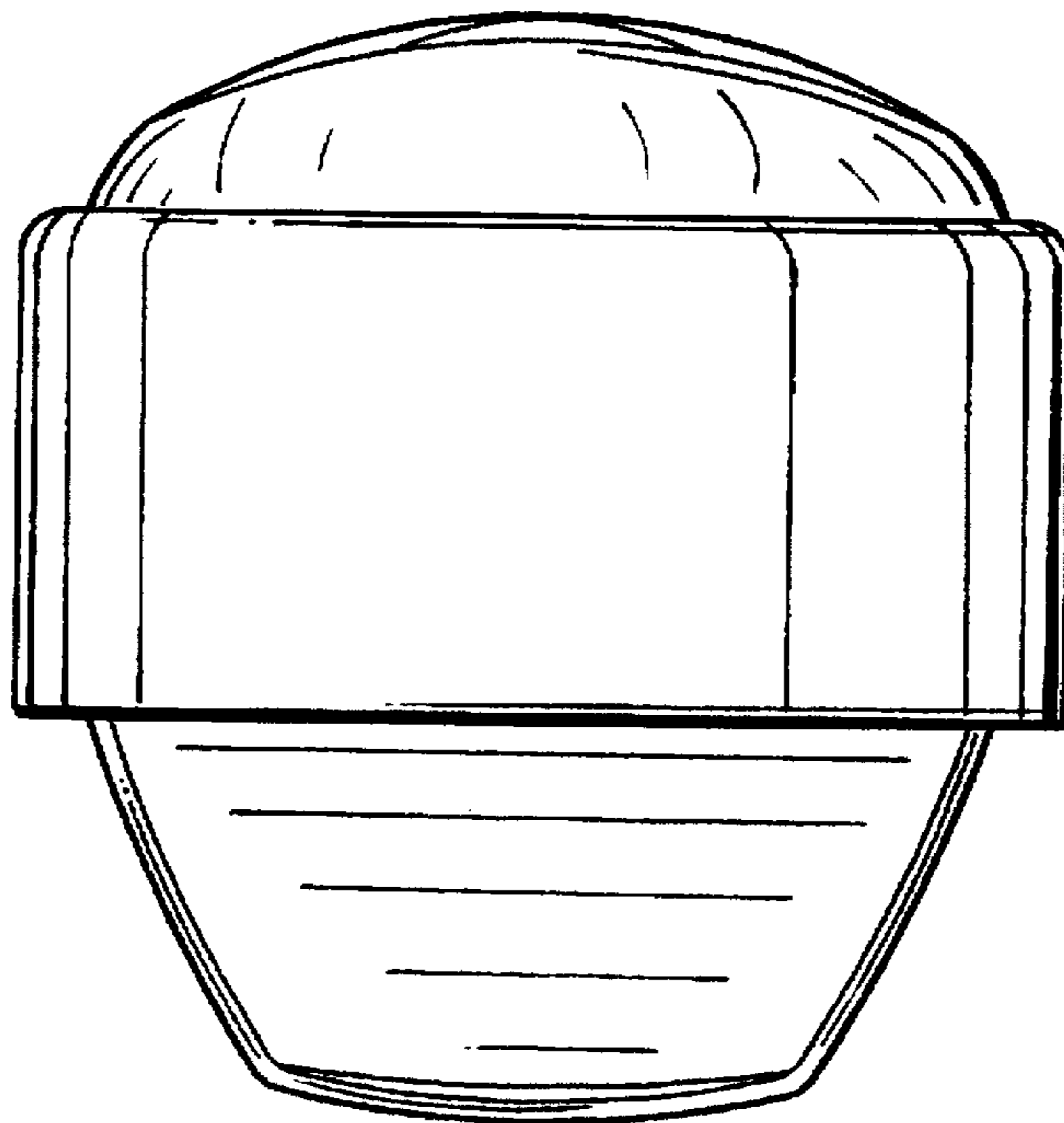


FIG. 7