

US00D384237S

United States Patent [19] Hess

[11] Patent Number: **Des. 384,237**
[45] Date of Patent: ****Sep. 30, 1997**

[54] **JUICE PITCHER**
[75] Inventor: **Kevin Hess, Mt. Prospect, Ill.**
[73] Assignee: **The Pampered Chef, Ltd., Addison, Ill.**
[**] Term: **14 Years**
[21] Appl. No.: **50,370**
[22] Filed: **Feb. 15, 1996**
[51] LOC (6) Cl. **07-01**
[52] U.S. Cl. **D7/319; D7/318; D7/317**
[58] Field of Search **D7/318, 317, 316, D7/312, 590, 591, 598, 619, 605, 302, 303; 222/465.1; 220/771; D10/46.2**

3,844,450 10/1974 Johnson D7/317 X
4,010,934 3/1977 McCord et al. .
5,284,389 2/1994 Lumsden .
5,388,729 2/1995 Geringer 222/465.1
5,533,802 7/1996 Garganese .
5,580,169 12/1996 Ghidini .

FOREIGN PATENT DOCUMENTS

68126 6/1951 Netherlands .

OTHER PUBLICATIONS

Rubbermaid Measuring Pitcher (top) Resturants And Institutions Feb. 1981, p. 197.
Pitcher (bottom right) #3062-87 Rubbermaid 1991.
Pitcher #3326 1992 Rubbermaid p. 16.

Primary Examiner—M. N. Pandozzi
Attorney, Agent, or Firm—Olson & Hierl, Ltd.

[56] References Cited

U.S. PATENT DOCUMENTS

D. 220,773 5/1971 Dilyard D7/317
D. 264,925 6/1982 McClelland D7/318
D. 270,602 9/1983 Fritz D10/46.2 X
D. 304,799 11/1989 Freese D7/319
D. 331,446 12/1992 Gidman D7/317 X
D. 338,367 8/1993 Fonville D7/317
D. 344,428 2/1994 Anlona et al. D7/316
D. 356,004 3/1995 Van Valkenburg et al. D7/318 X
D. 372,627 8/1996 Ireland D7/319
722,833 3/1903 Furlong .
1,174,828 3/1916 Copeland .
2,266,186 12/1941 Fischer .
2,291,708 8/1942 Gluck .
2,726,071 12/1955 Bernhardt .
3,137,228 6/1964 Elow .

[57] CLAIM

The ornamental design for a juice pitcher, as shown and described.

DESCRIPTION

FIG. 1 is a top perspective view of a juice pitcher showing my new design;
FIG. 2 is a top plan view thereof;
FIG. 3 is a side elevational view thereof;
FIG. 4 is front elevational view thereof;
FIG. 5 is an opposite side elevational view thereof at an enlarged scale; and,
FIG. 6 is a bottom plan view thereof at an enlarged scale.

1 Claim, 2 Drawing Sheets

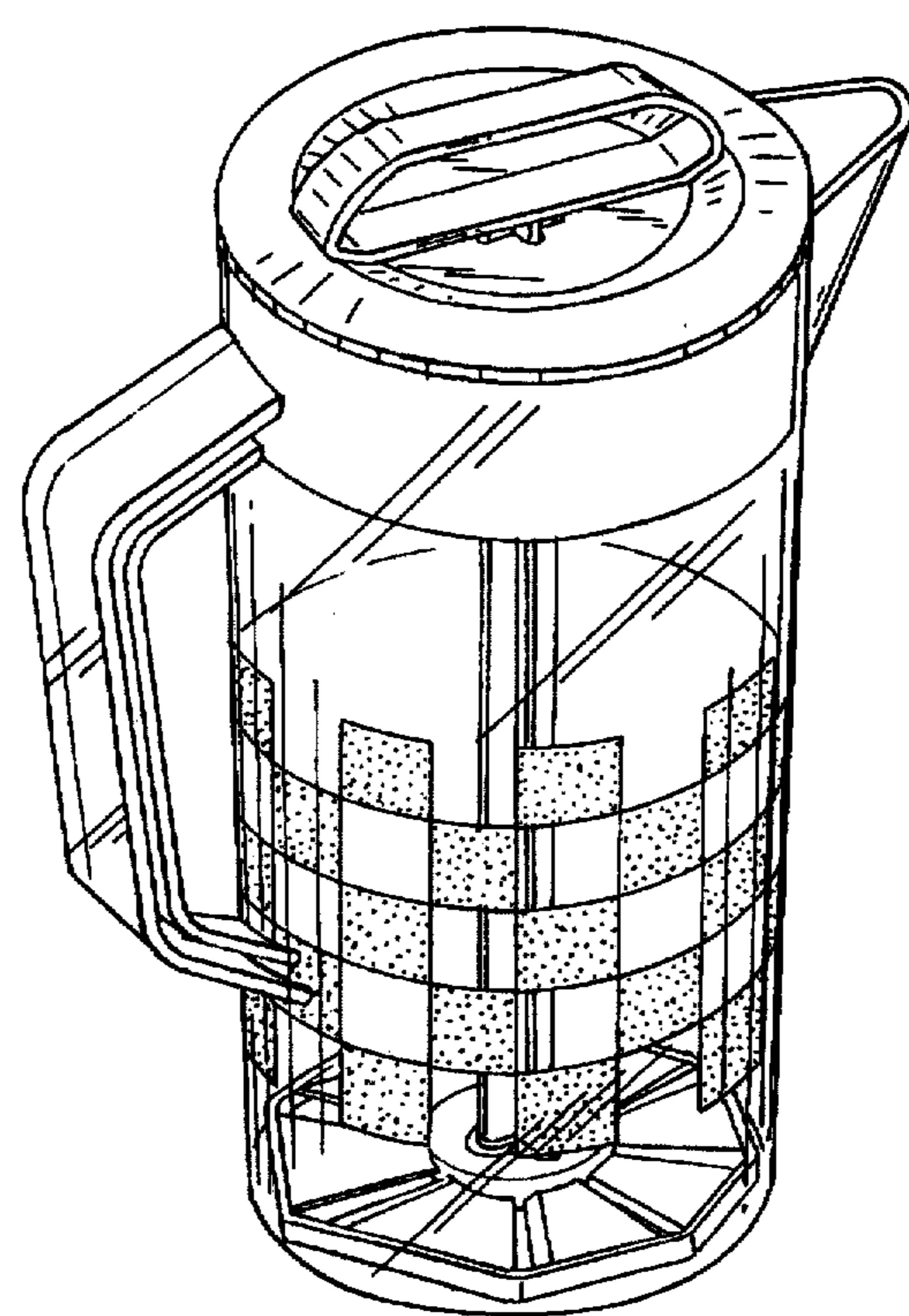


FIG. 1

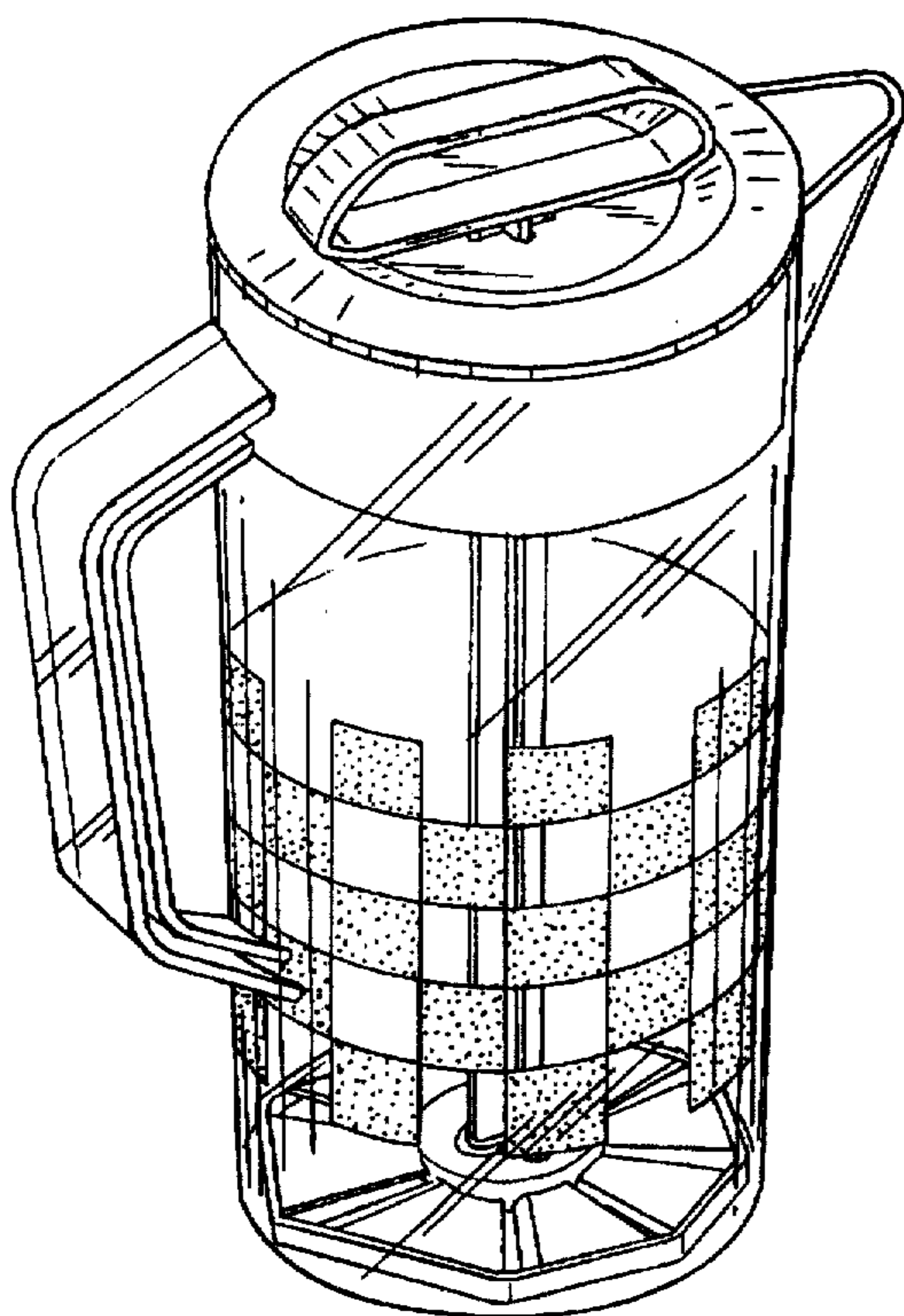


FIG. 2

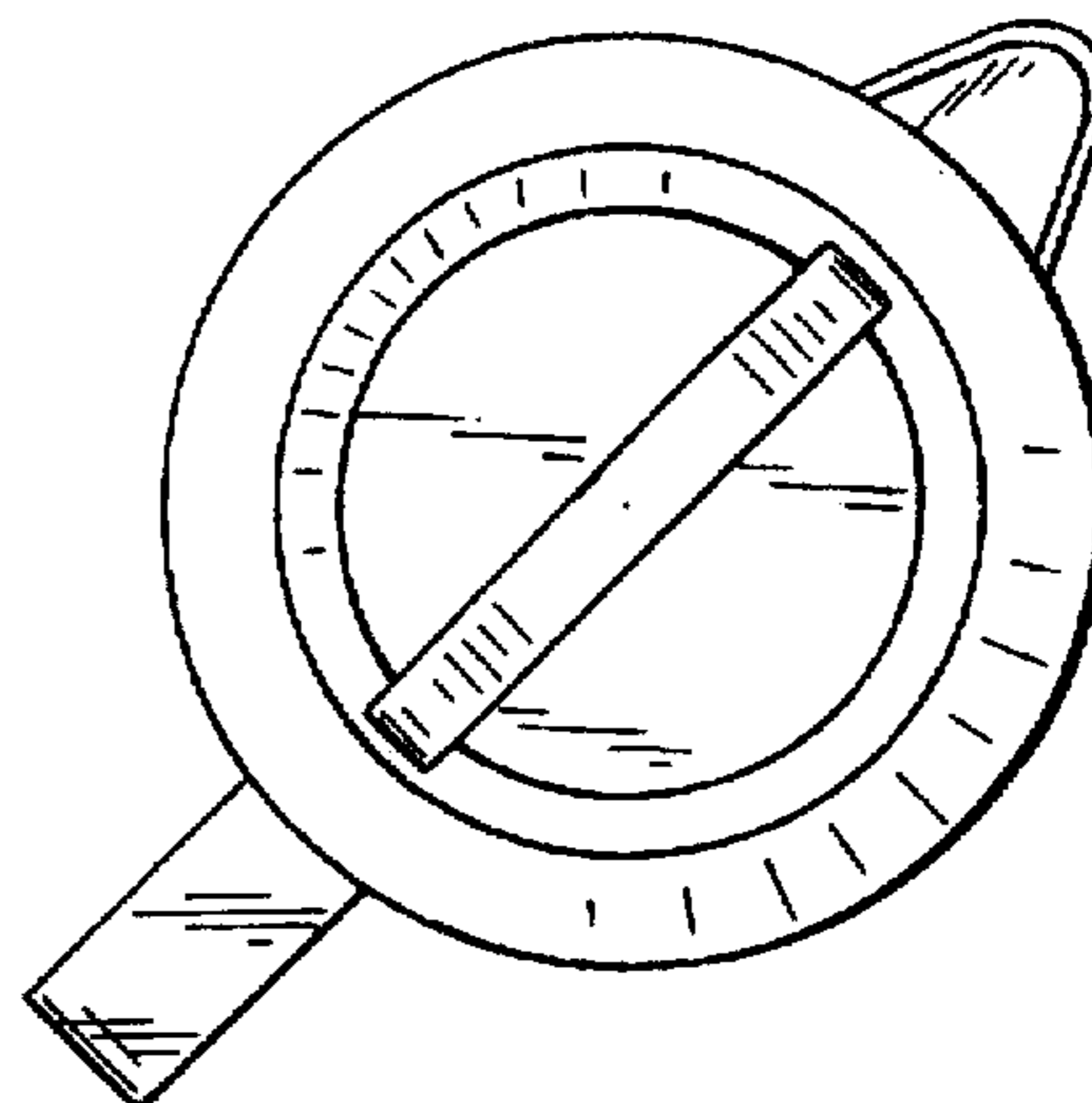


FIG. 3

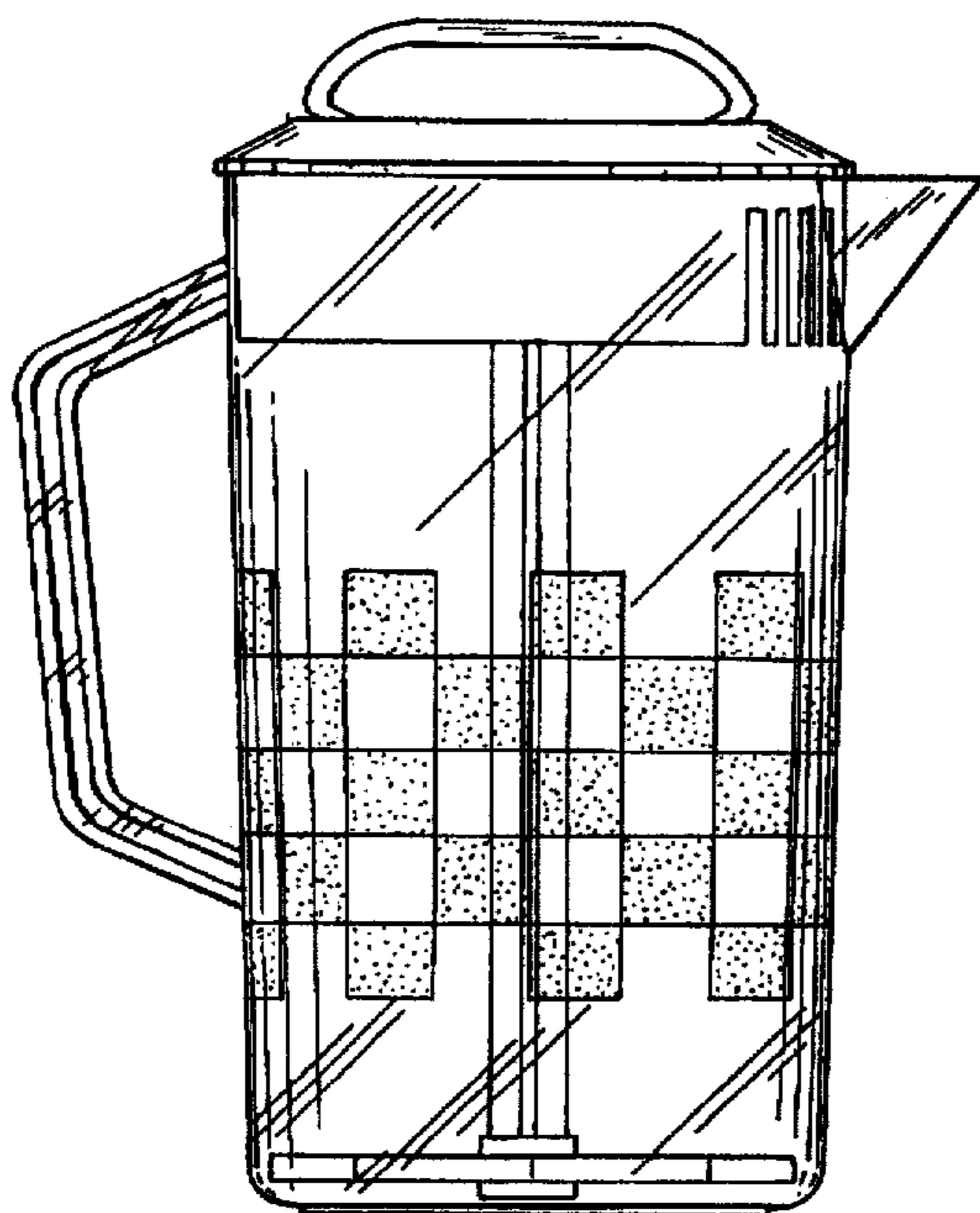


FIG. 4

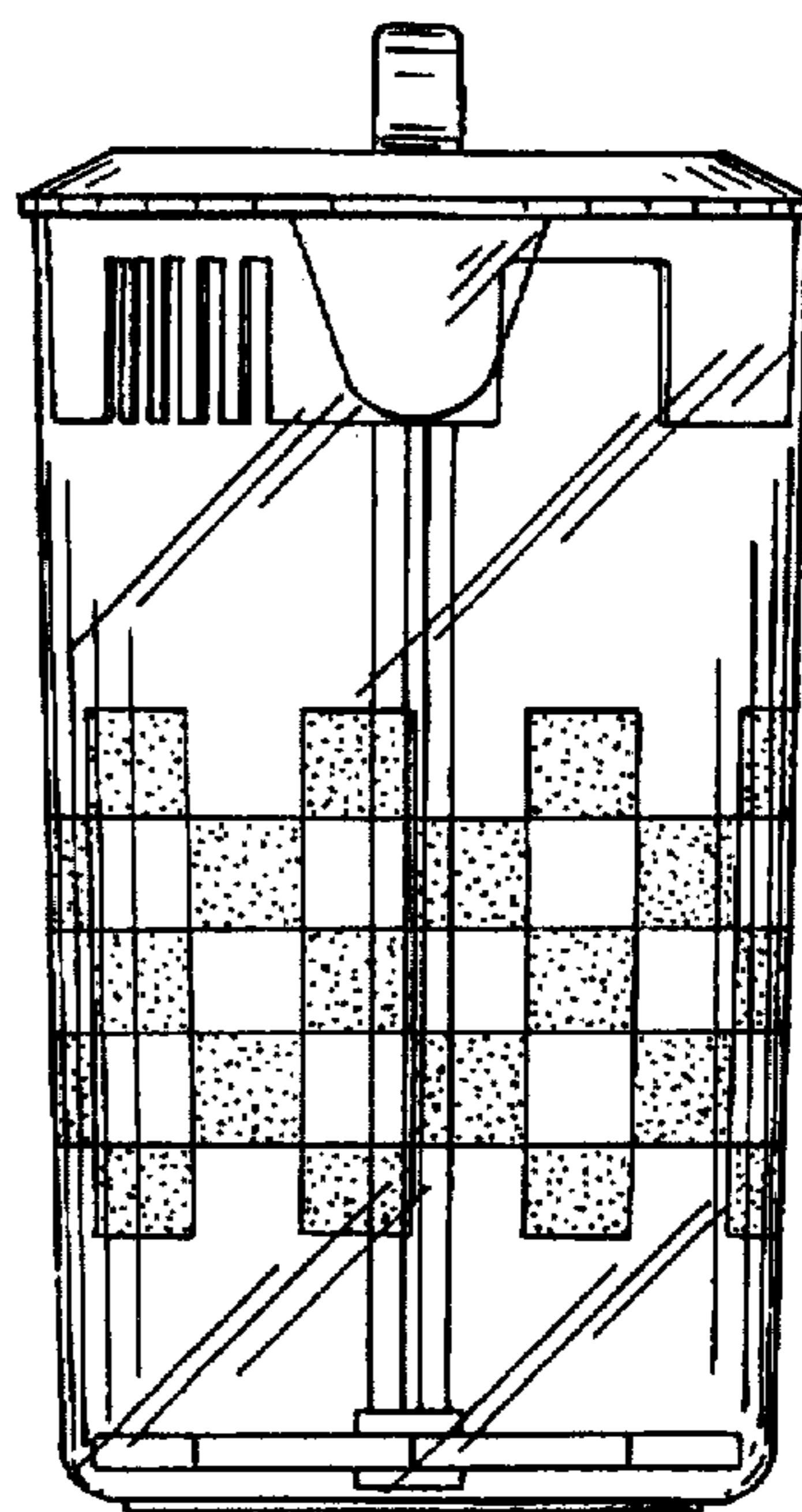


FIG. 5

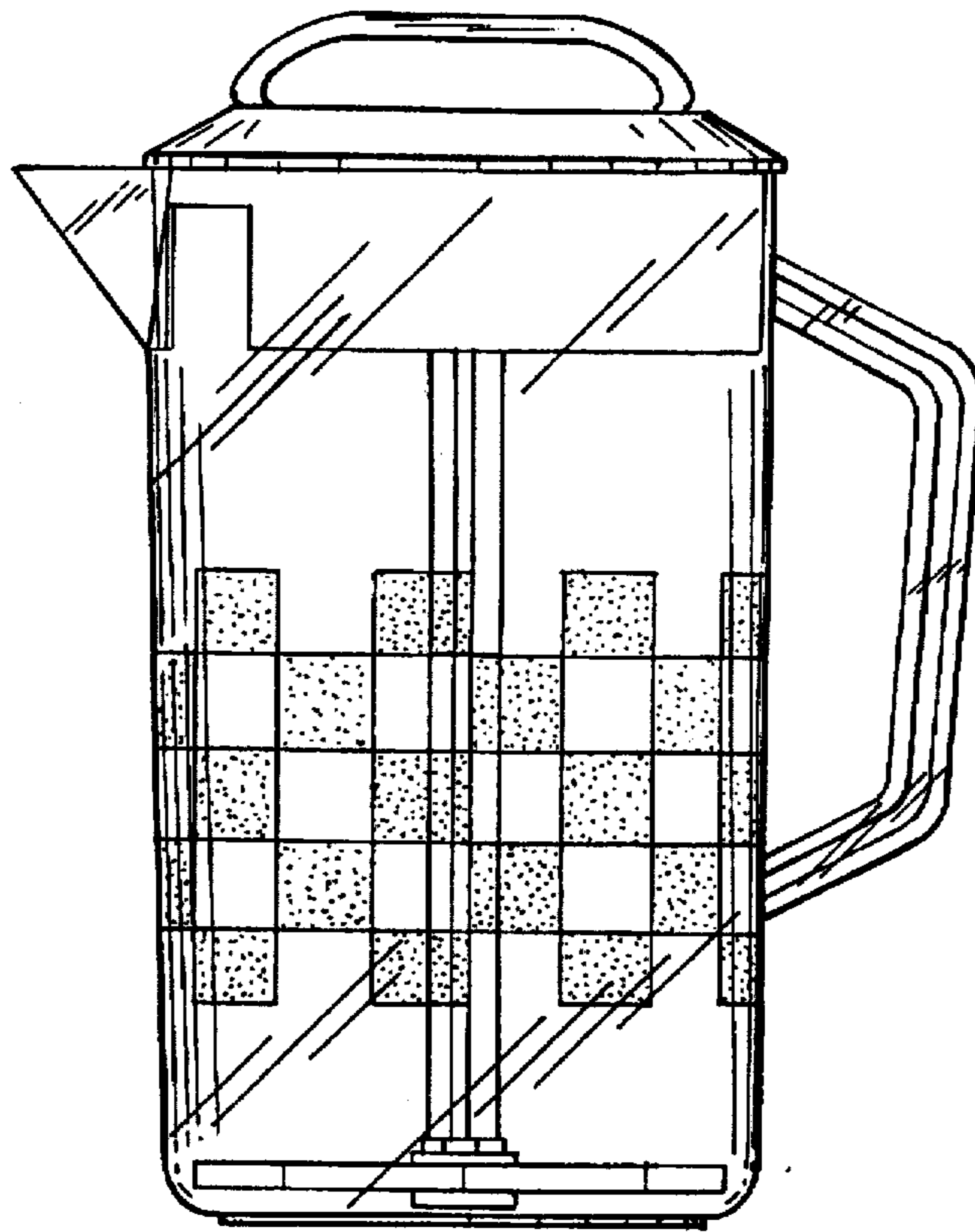


FIG. 6

