



US00D384232S

# United States Patent [19]

Evans et al.

[11] Patent Number: **Des. 384,232**

[45] Date of Patent: **\*\*Sep. 30, 1997**

## [54] DESIGN FOR SPORTS EQUIPMENT RACK

[76] Inventors: **Peter R. Evans**, 475 Orton Avenue, Ancaster, Ontario, Canada, L9G 4M7; **Robert R. Dunn**, 52 Hummingbird Lane, Hamilton, Ontario, Canada, L9A 4A9; **Stephen W. McNeill**, 577 Tusarora Rd., Ancaster, Ontario, Canada, L9G 3N9

[\*\*] Term: **14 Years**

[21] Appl. No.: **55,759**

[22] Filed: **Jun. 12, 1996**

### [30] Foreign Application Priority Data

Dec. 22, 1995 [CA] Canada ..... 1995-2903

[51] LOC (6) Cl. .... **08-08**

[52] U.S. Cl. .... **D6/552**

[58] Field of Search ..... D6/552, 566, 409, D6/410, 411, 449, 462, 13; 211/20, 181, 195, 204-206; 248/127, 163.1, 175, 176.1

## [56] References Cited

### U.S. PATENT DOCUMENTS

D. 354,654 1/1995 Mallen ..... D6/552  
D. 372,617 8/1996 Lang et al. .... D5/552

*Primary Examiner*—Brian N. Vinson  
*Attorney, Agent, or Firm*—Patrick J. Hofbauer

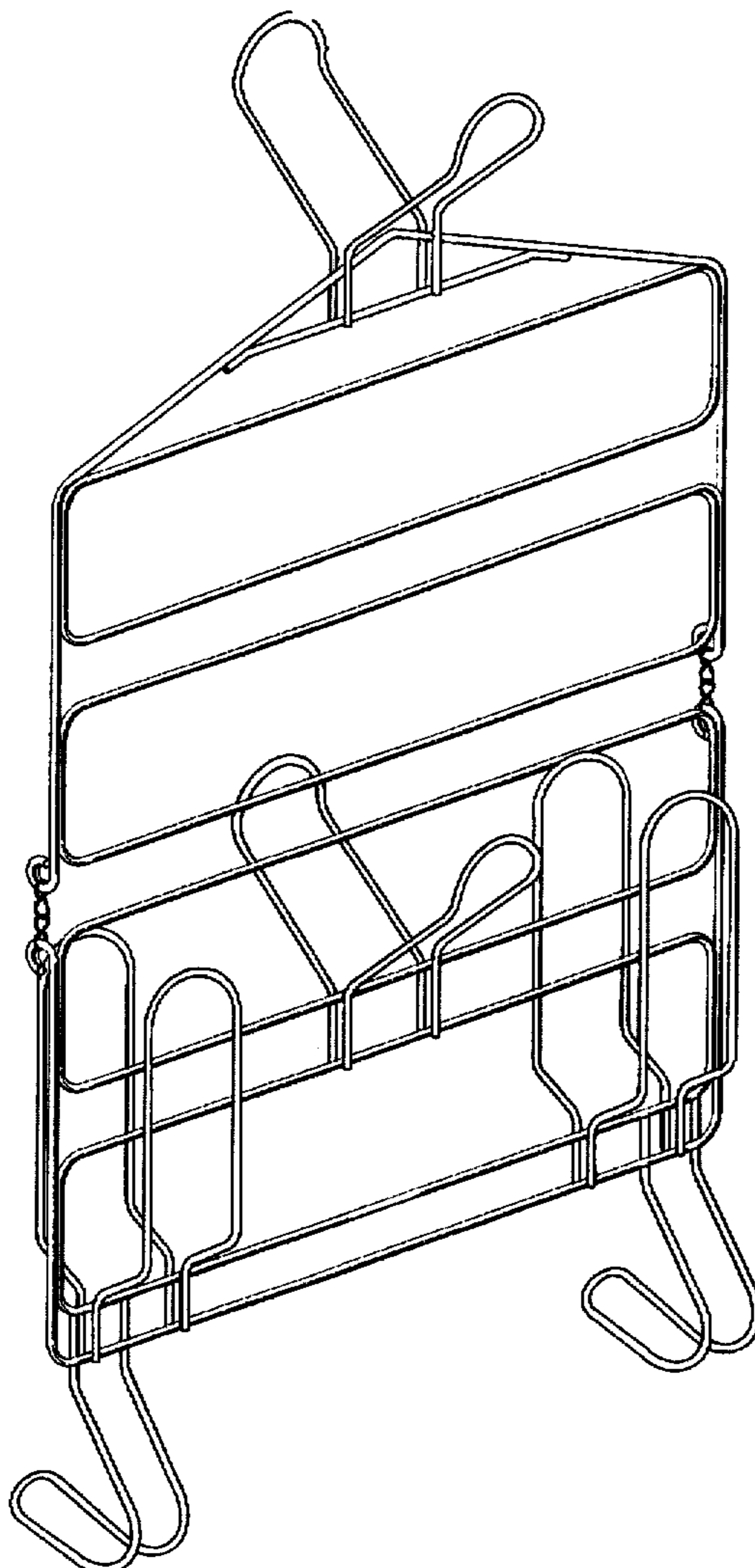
## [57] CLAIM

The ornamental design for a sports equipment rack, as shown and described.

## DESCRIPTION

FIG. 1 is a top, front, and left side perspective view of a sports equipment rack showing our new design; FIG. 2 is a left side elevational view thereof, the right side being a mirror image of that shown; and, FIG. 3 is a front elevational view thereof.

**1 Claim, 2 Drawing Sheets**



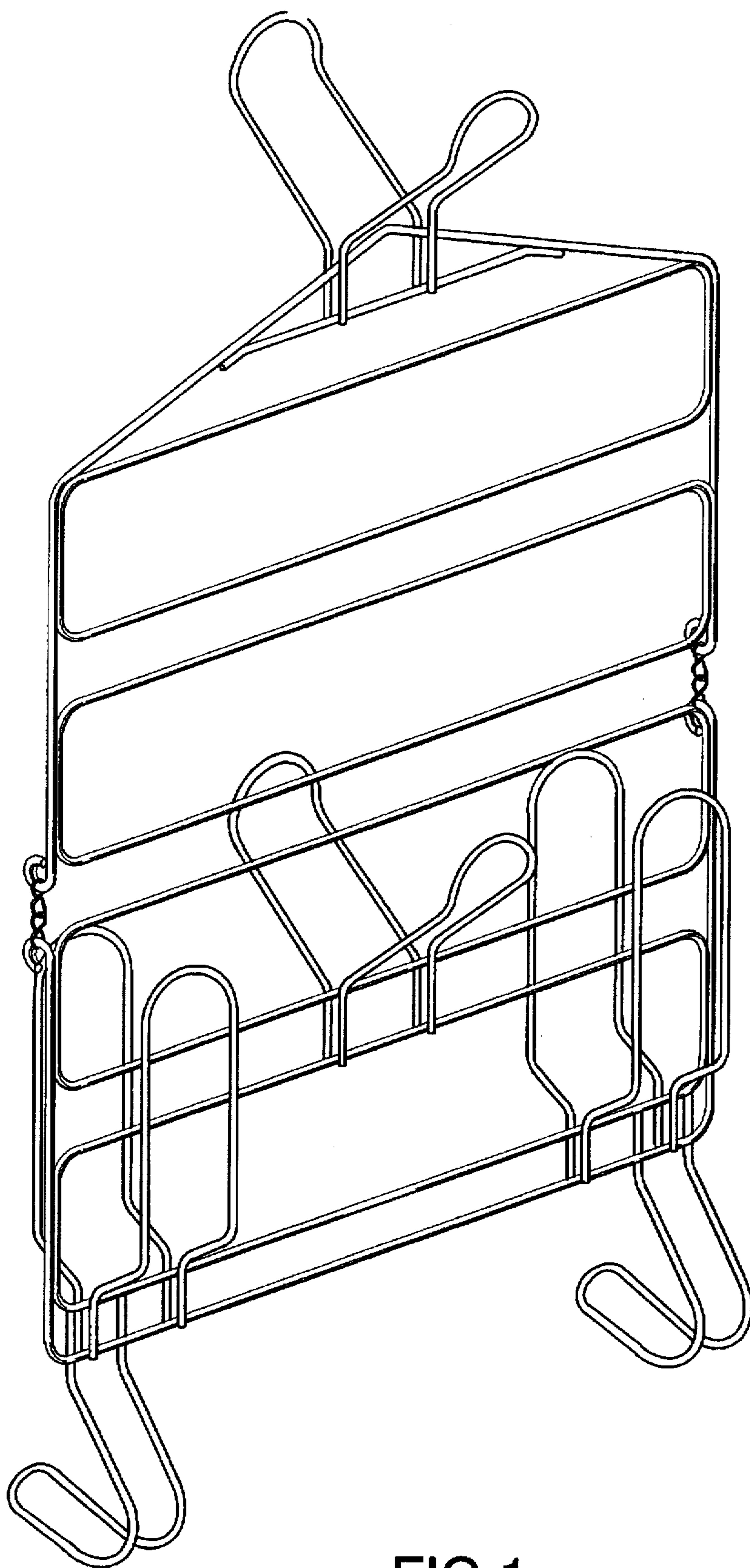


FIG.1

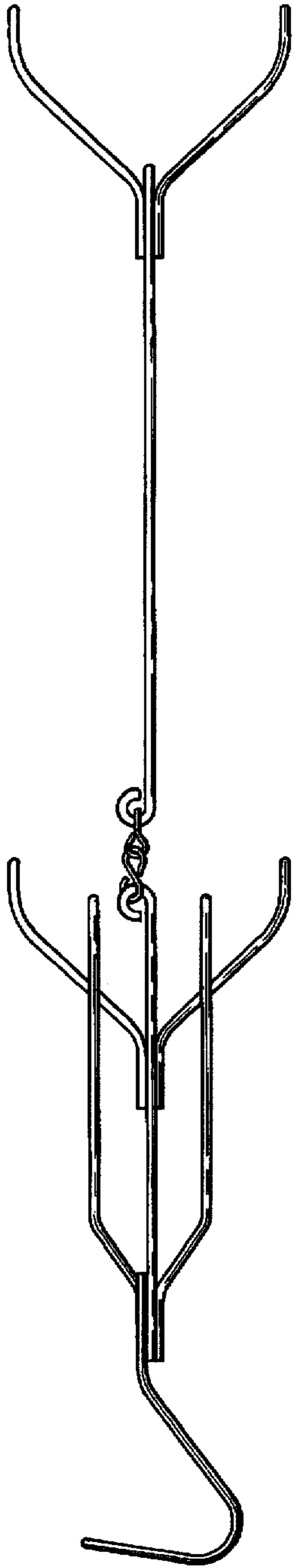


FIG.2

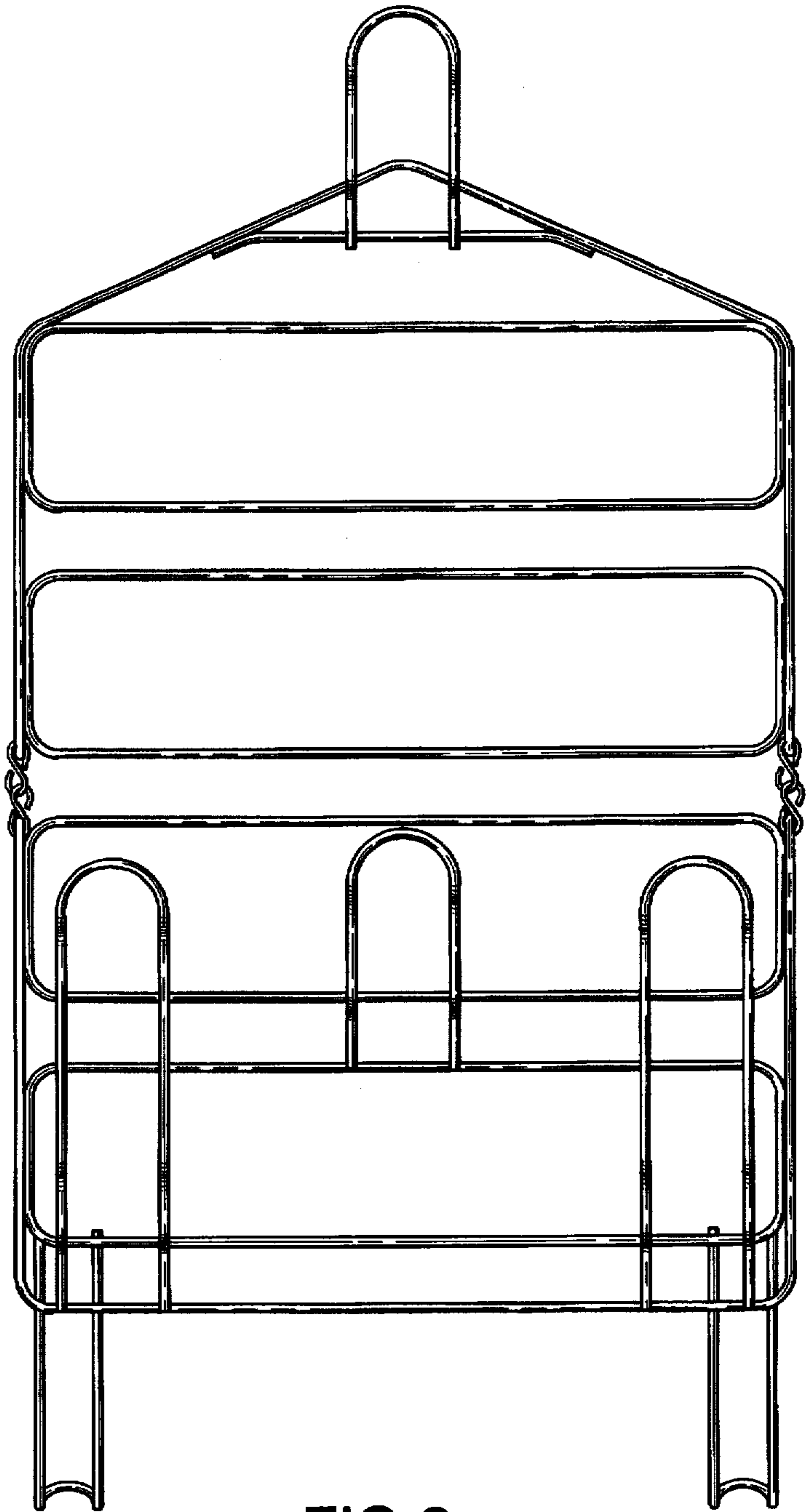


FIG.3