



US00D384231S

United States Patent [19]

[11] Patent Number: **Des. 384,231**

Burns

[45] Date of Patent: ****Sep. 30, 1997**

[54] **STRIP DISPLAY**

4,573,590 3/1986 Ellis 211/86
5,415,370 5/1995 Valiulis 211/59.1 X

[76] Inventor: **Clark J. Burns**, P.O. Box 430,
O'Fallon, Mo. 63366-0430

Primary Examiner—Brian N. Vinson
Attorney, Agent, or Firm—Grace J. Fishel

[**] Term: **14 Years**

[57] **CLAIM**

[21] Appl. No.: **45,285**

The ornamental design for a strip display, as shown.

[22] Filed: **Oct. 16, 1995**

DESCRIPTION

[51] LOC (6) Cl. **06-99**

FIG. 1 is a perspective view of a strip display showing my new design in use;

[52] U.S. Cl. **D6/514**

FIG. 2 is a left side view thereof as viewed in FIG. 1;

[58] Field of Search D6/512-514, 552,
D6/569, 570; D8/373; 211/10, 13, 30, 31,
59.1, 70.6, 70.7, 86, 87

FIG. 3 is a front view thereof;

FIG. 4 is a top view thereof;

FIG. 5 is a back view thereof; and,

FIG. 6 is a bottom view thereof.

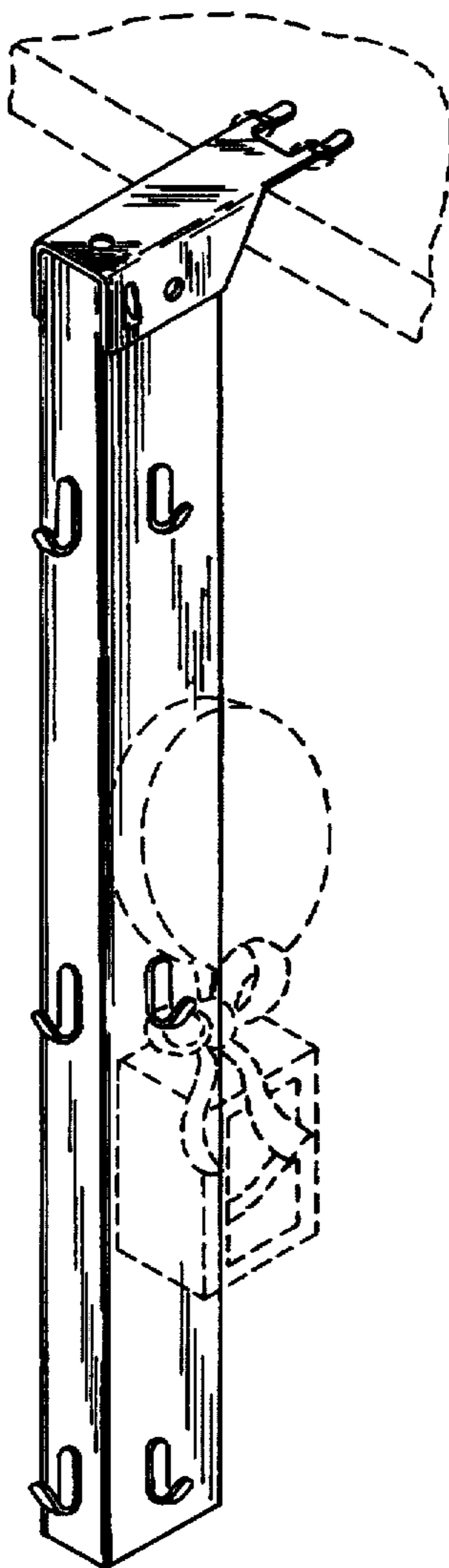
[56] **References Cited**

The gift box with balloon shown in broken lines in FIG. 1 denotes the nature and environmental use of the design and is not part of the design.

U.S. PATENT DOCUMENTS

- D. 304,790 11/1989 Pliett D6/514
- D. 328,193 7/1992 Gossett D6/513 X
- D. 342,105 12/1993 Andrejew D6/553 X
- D. 367,574 3/1996 Werner D6/570 X

1 Claim, 2 Drawing Sheets



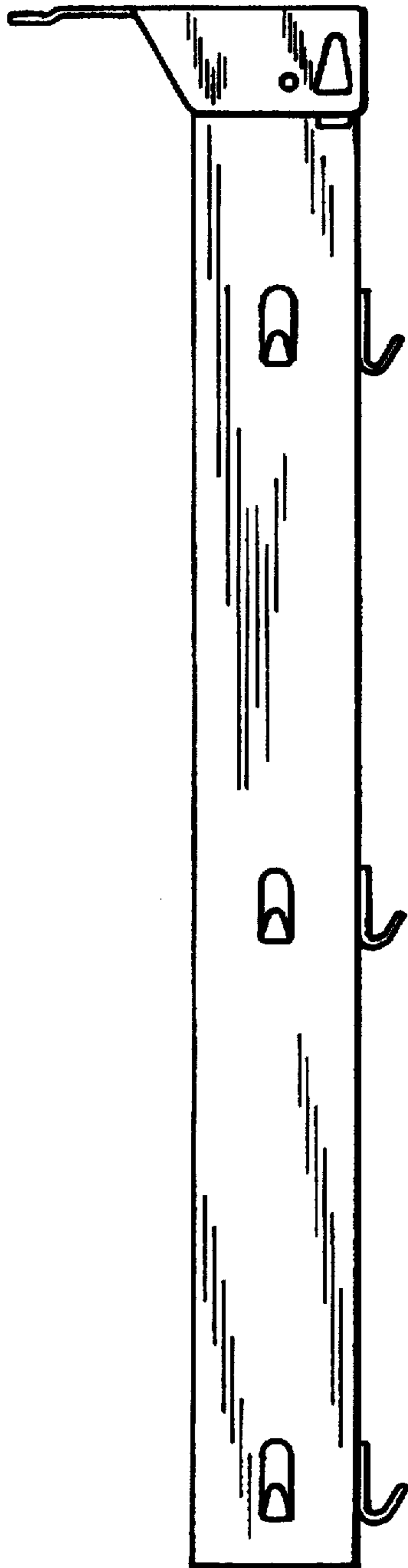


FIG. 2

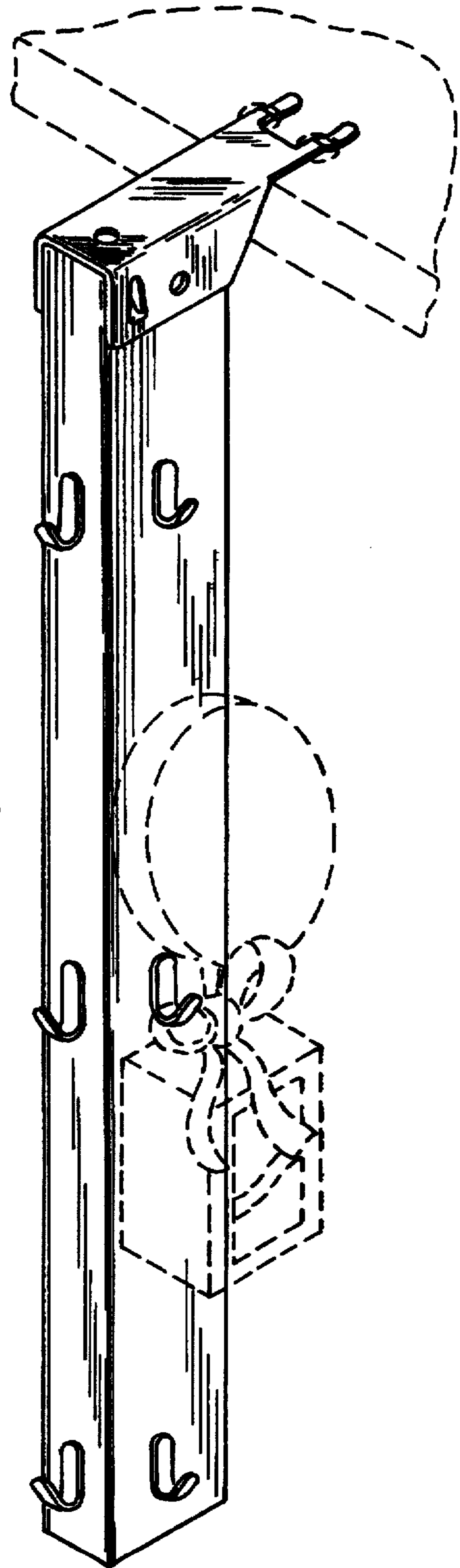


FIG. 1

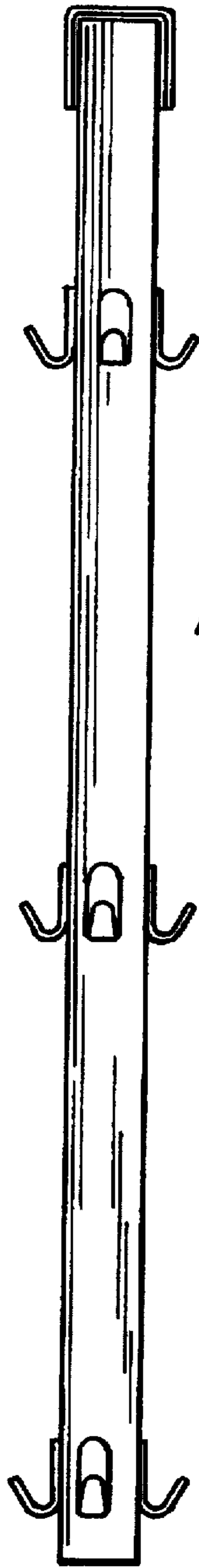


FIG. 3

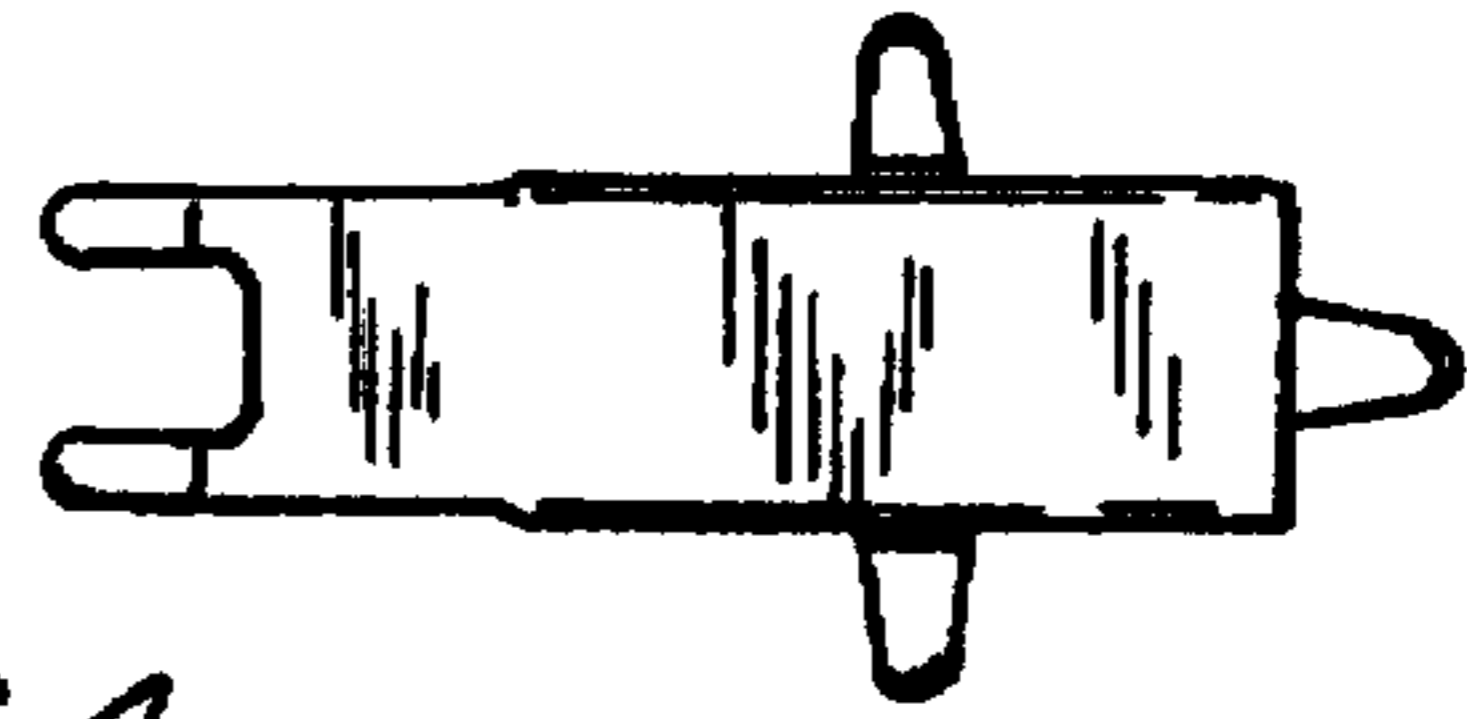


FIG. 4

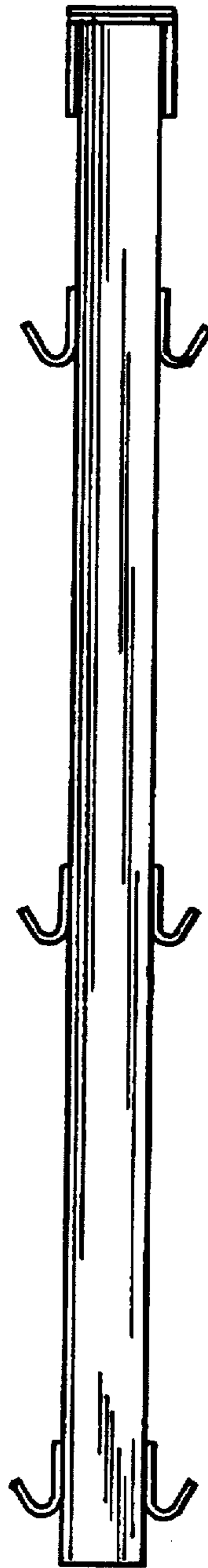


FIG. 5

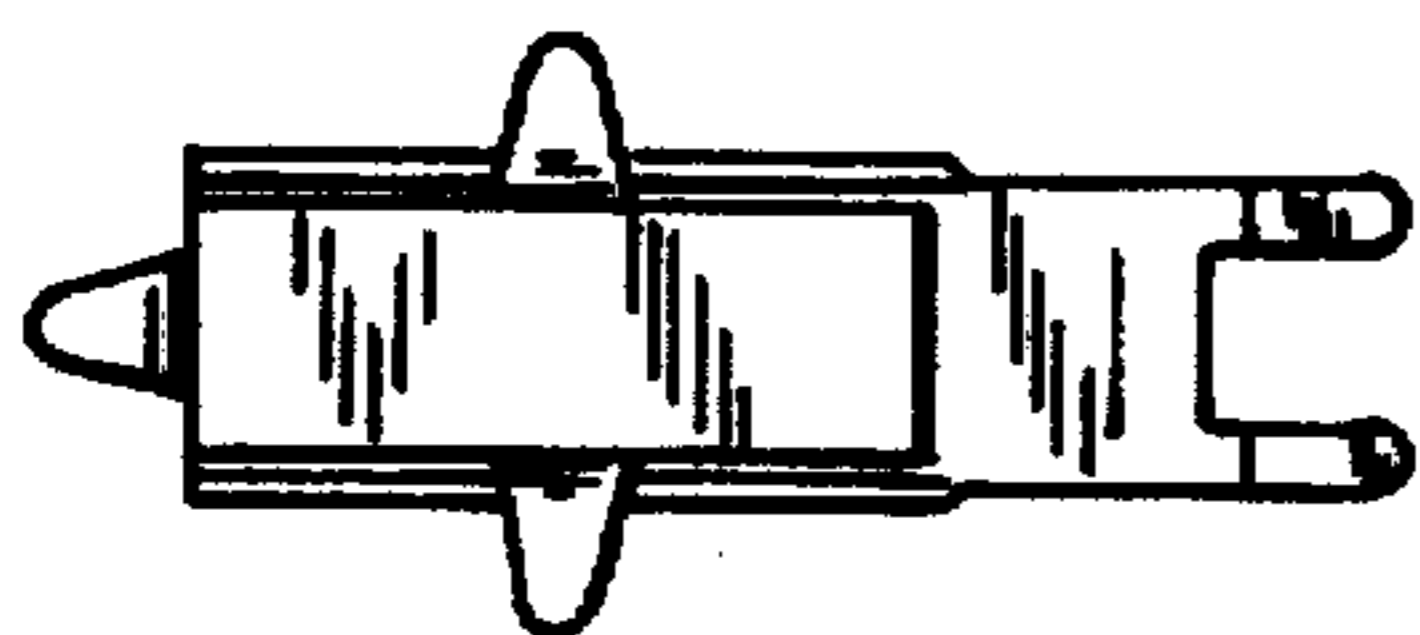


FIG. 6