



US00D384229S

United States Patent [19]
Verrangia

[11] **Patent Number:** **Des. 384,229**
[45] **Date of Patent:** ****Sep. 30, 1997**

[54] **COMBINED SWATCH CASSETTE AND DISPLAY TRAY**

[75] **Inventor:** **Thomas V. Verrangia, Baldwin, N.Y.**

[73] **Assignee:** **L'Oreal S.A., Paris Cedex, France**

[**] **Term:** **14 Years**

[21] **Appl. No.:** **49,189**

[22] **Filed:** **Jan. 19, 1996**

[51] **LOC (6) Cl.** **06-06**

[52] **U.S. Cl.** **D6/509**

[58] **Field of Search** D6/410-415, 449,
D6/407, 509-511, 408, 473, 515-517; 211/59.2,
59.3, 13, 126, 128; 206/524, 524.1; 312/72,
35

[56] **References Cited**

U.S. PATENT DOCUMENTS

D. 232,508	8/1974	Wright	D6/510
D. 238,401	1/1976	Ackeret	D6/407 X
D. 254,526	3/1980	Dolphin, Sr. et al.	D6/510
D. 263,538	3/1982	Briggs et al.	D6/408
D. 286,837	11/1986	Nathan	D6/510

D. 287,907	1/1987	Yu	D6/510 X
D. 290,670	7/1987	Nathan et al.	D6/511
4,423,818	1/1984	Spamer	211/59.2
4,724,968	2/1988	Wombacher	211/59.3
4,785,944	11/1988	March	211/59.2
4,785,945	11/1988	Rowse et al.	211/59.2
4,896,779	1/1990	Jureckson	.	
5,358,692	10/1994	Reynolds	211/126 X

Primary Examiner—Jeffrey Asch
Attorney, Agent, or Firm—Brumbaugh, Graves, Donohue & Raymond

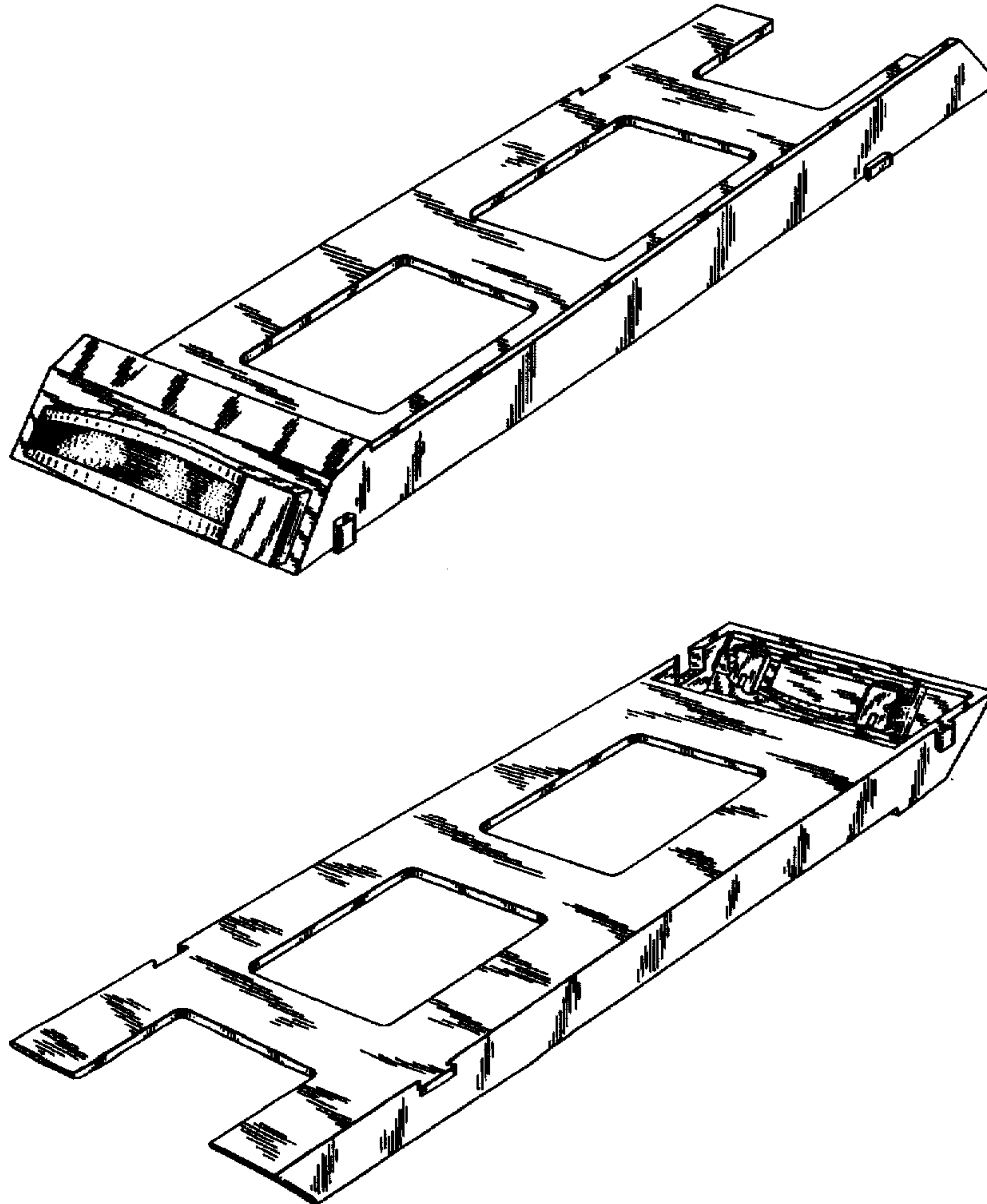
[57] **CLAIM**

The ornamental design for a combined swatch cassette and display tray, as shown and described.

DESCRIPTION

FIG. 1 is a top, front, and right-side perspective view of a combined swatch cassette and display tray showing my new design;
FIG. 2 is a front elevational view;
FIG. 3 is a bottom plan view;
FIG. 4 is a left side elevational view; and,
FIG. 5 is a bottom perspective view thereof.

1 Claim, 2 Drawing Sheets



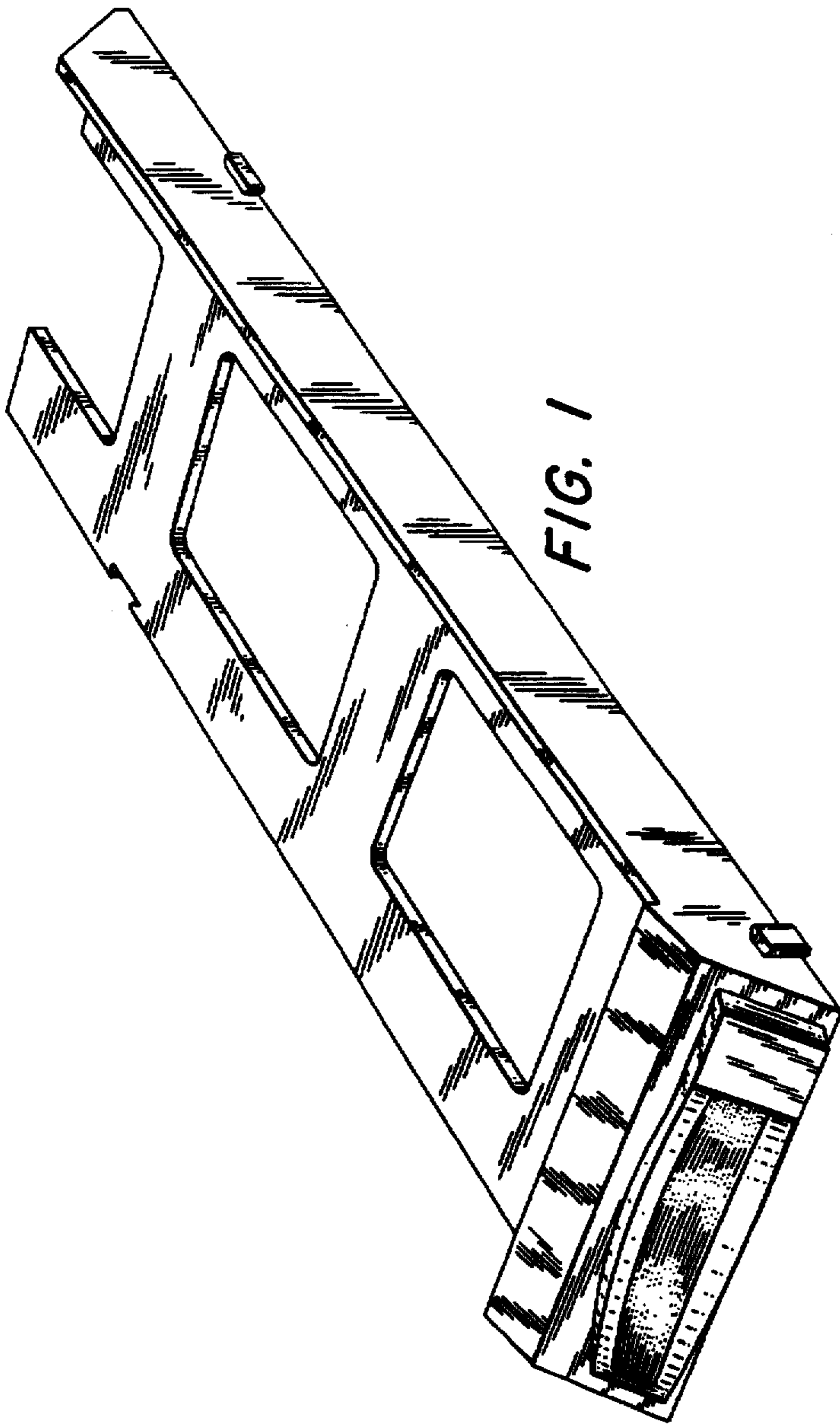


FIG. 1



FIG. 2

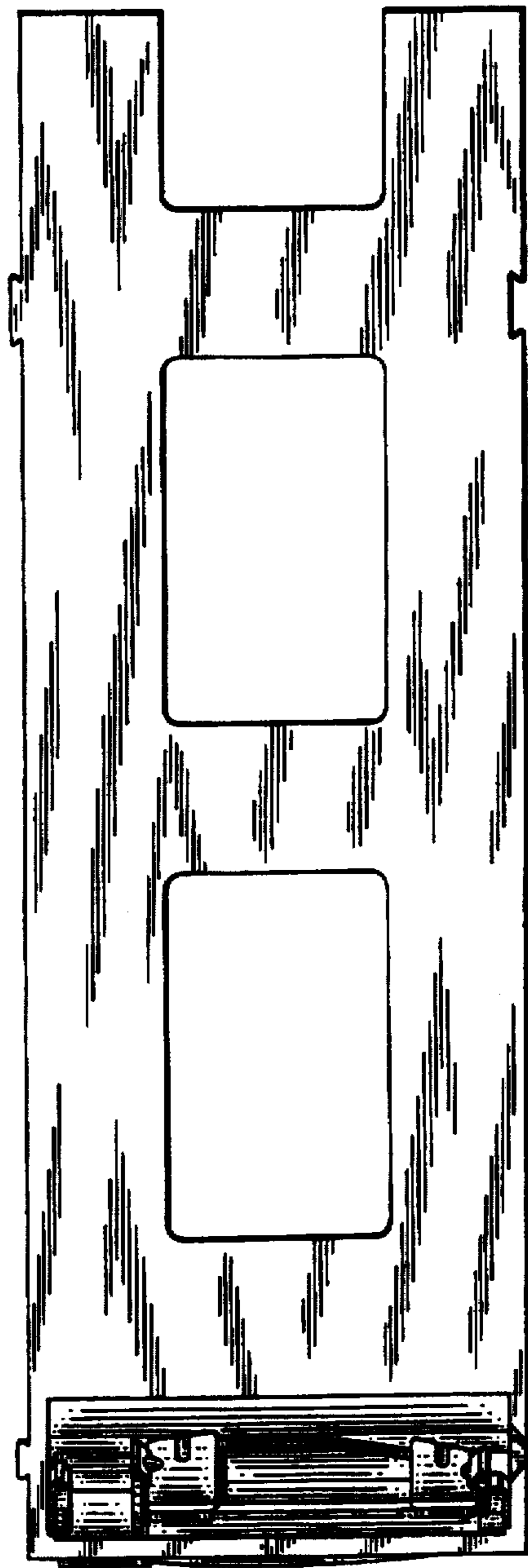


FIG. 3

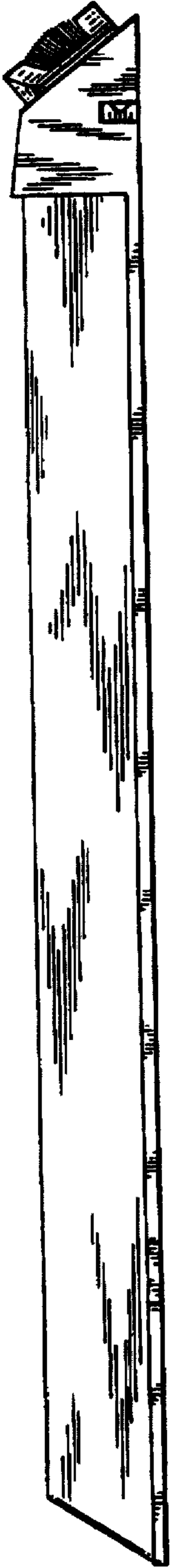


FIG. 4

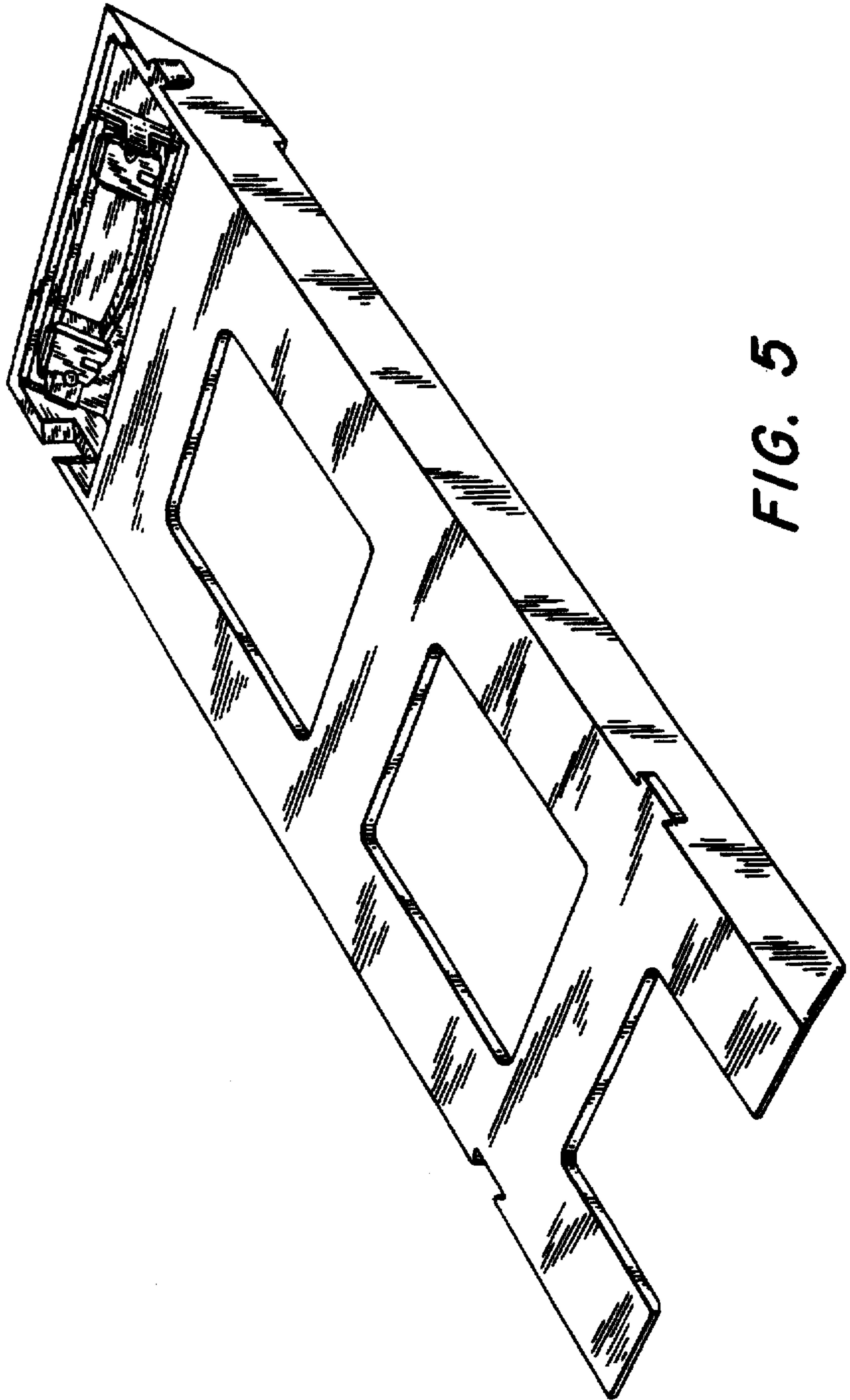


FIG. 5