



US00D384227S

United States Patent [19] Grosfillex

[11] Patent Number: **Des. 384,227**
[45] Date of Patent: ****Sep. 30, 1997**

[54] **MULTI-LEVEL ARTICLE SUPPORT SHELF**

[75] Inventor: **Raymond Grosfillex, Oyonnax, France**

[73] Assignee: **Grosfillex Sarl, Oyonnax, France**

[**] Term: **14 Years**

[21] Appl. No.: **54,216**

[22] Filed: **May 10, 1996**

[51] LOC (6) Cl. **06-04**

[52] U.S. Cl. **D6/479; D6/478**

[58] Field of Search **D6/478, 479, 477, D6/475, 476; 108/91-93, 59, 60; 211/40-42, 134, 135, 153; D34/12, 17, 21**

[56] **References Cited**

U.S. PATENT DOCUMENTS

- D. 174,700 5/1955 Magnuson et al. D6/474 X
- D. 234,894 4/1975 Vandenbeuck D6/479
- D. 259,604 6/1981 Schuler et al. D6/478
- D. 343,536 1/1994 Pessa D6/479

- D. 347,131 5/1994 Wolff D6/479
- 2,510,243 6/1950 Mohring 211/134
- 3,362,610 1/1968 Van Dyke 211/134 X

Primary Examiner—James Gandy
Assistant Examiner—Linda Brooks
Attorney, Agent, or Firm—Dowell & Dowell

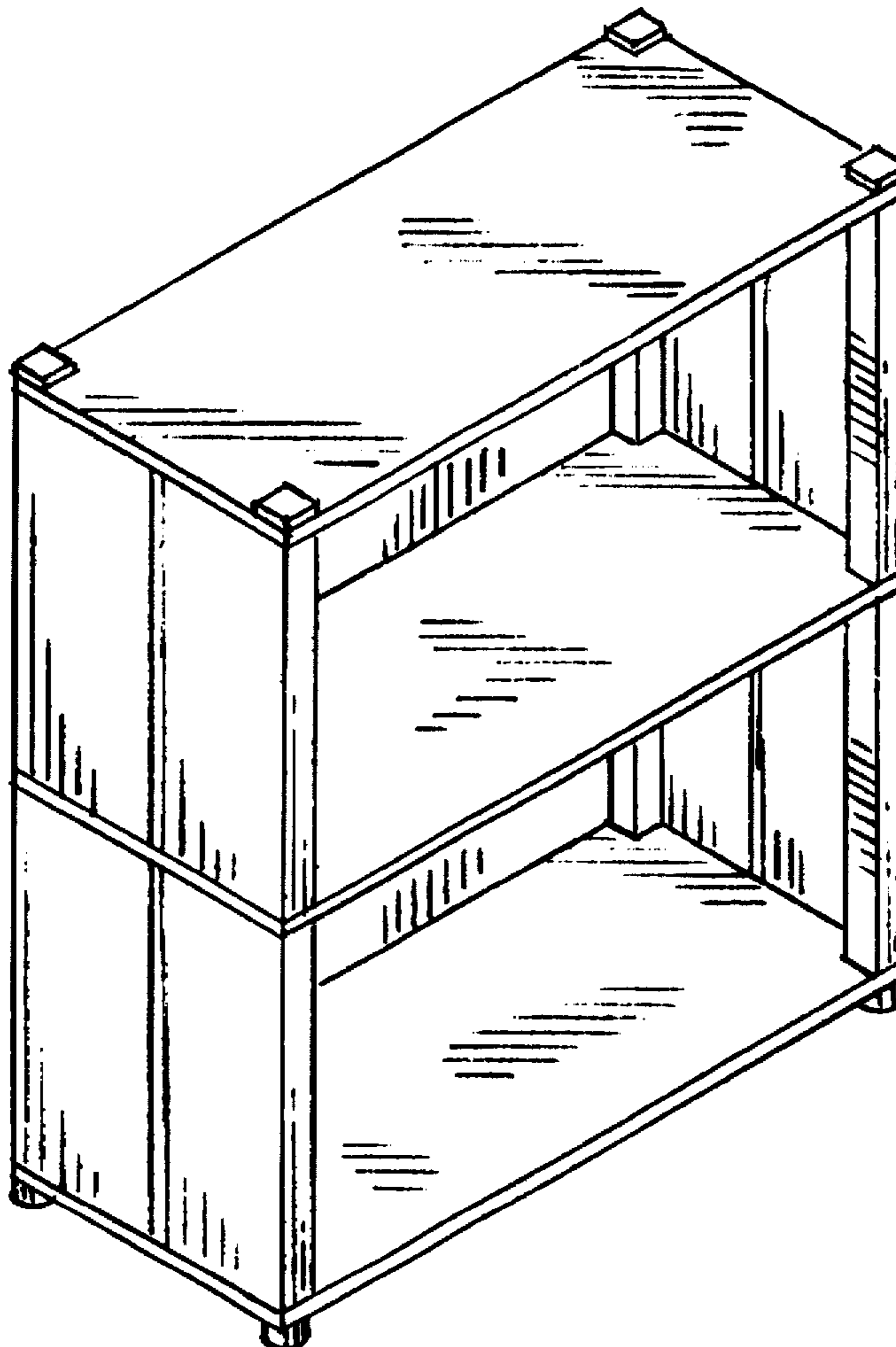
[57] **CLAIM**

The ornamental design for a multi-level article support shelf, as shown and described.

DESCRIPTION

FIG. 1 is a front perspective view of a multi-level article support shelf showing my new design; FIG. 2 is a front elevational view thereof; FIG. 3 is a rear elevational view thereof; FIG. 4 is a right side view thereof, a view from the left side being a mirror image thereof; FIG. 5 is a top plan view thereof; and, FIG. 6 is a bottom plan view thereof.

1 Claim, 2 Drawing Sheets



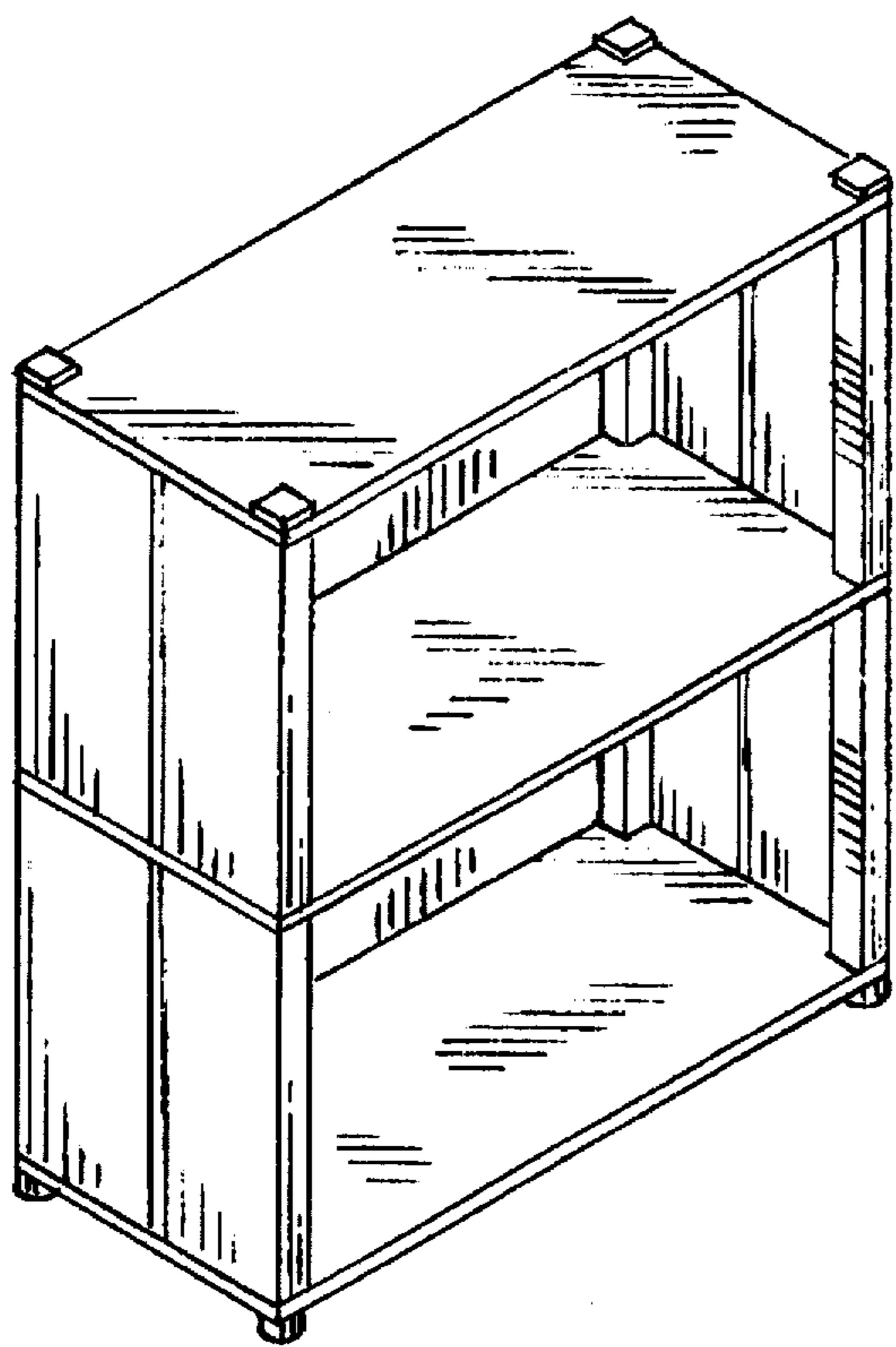


FIG. 1

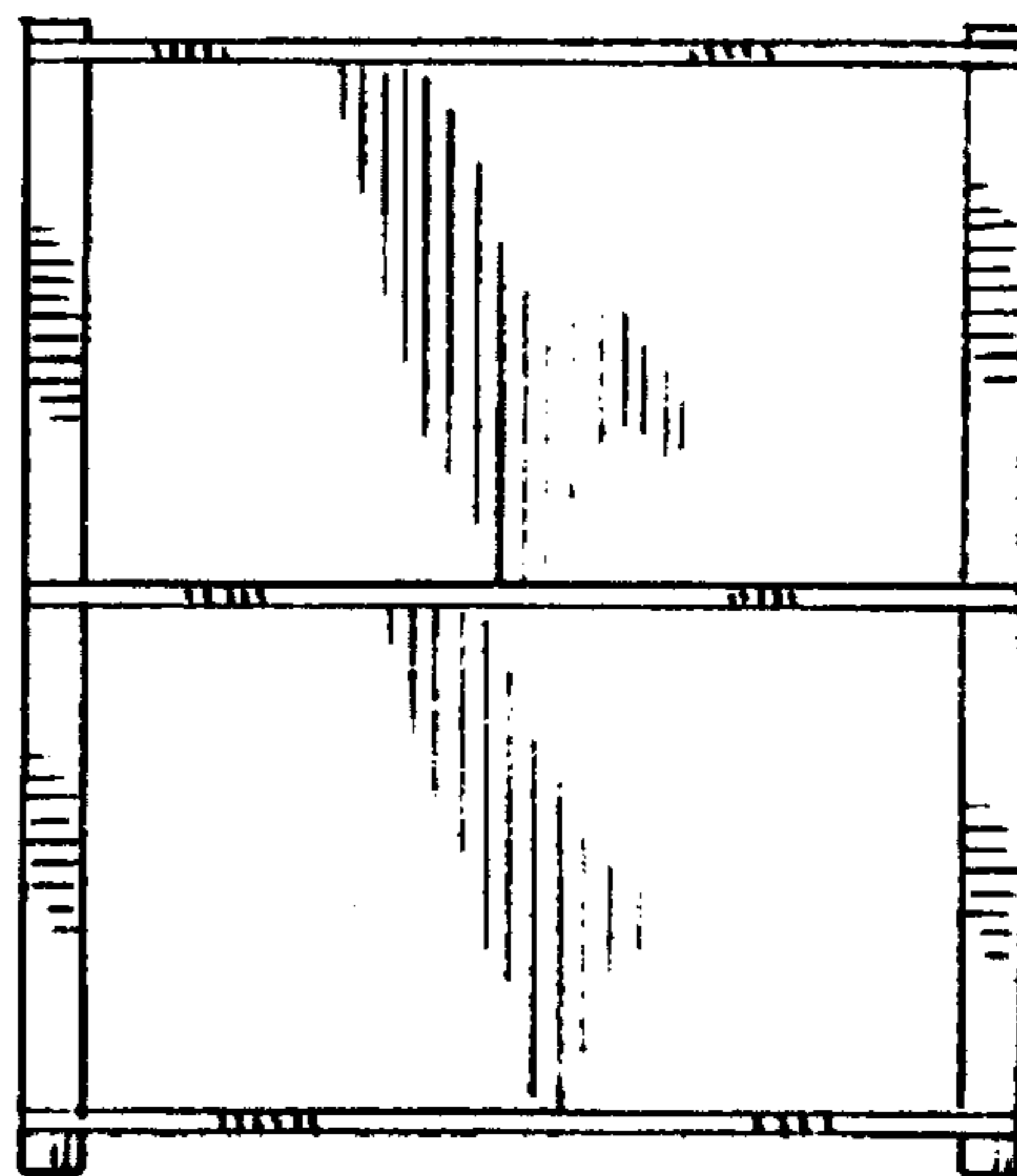


FIG. 2

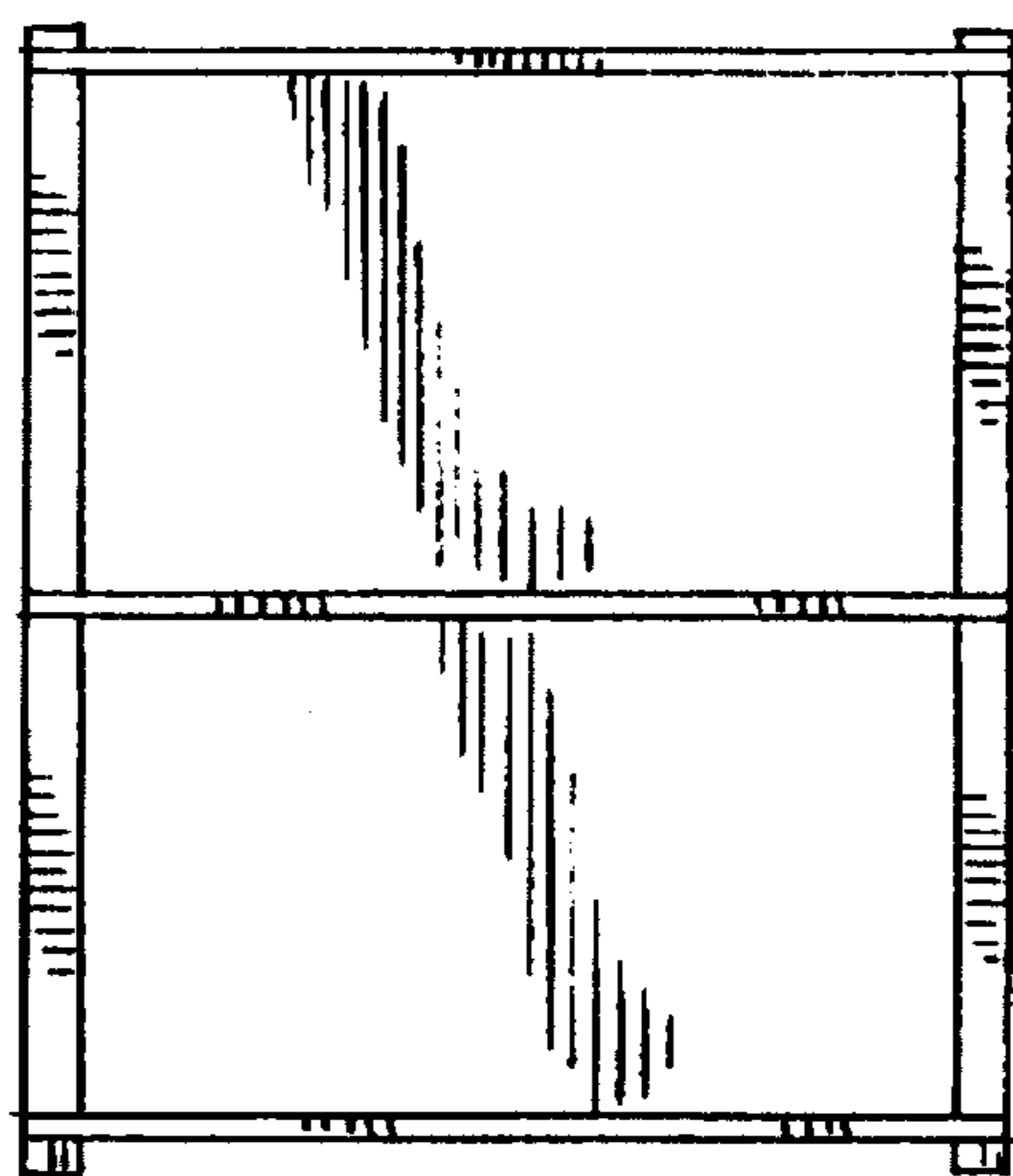


FIG. 3

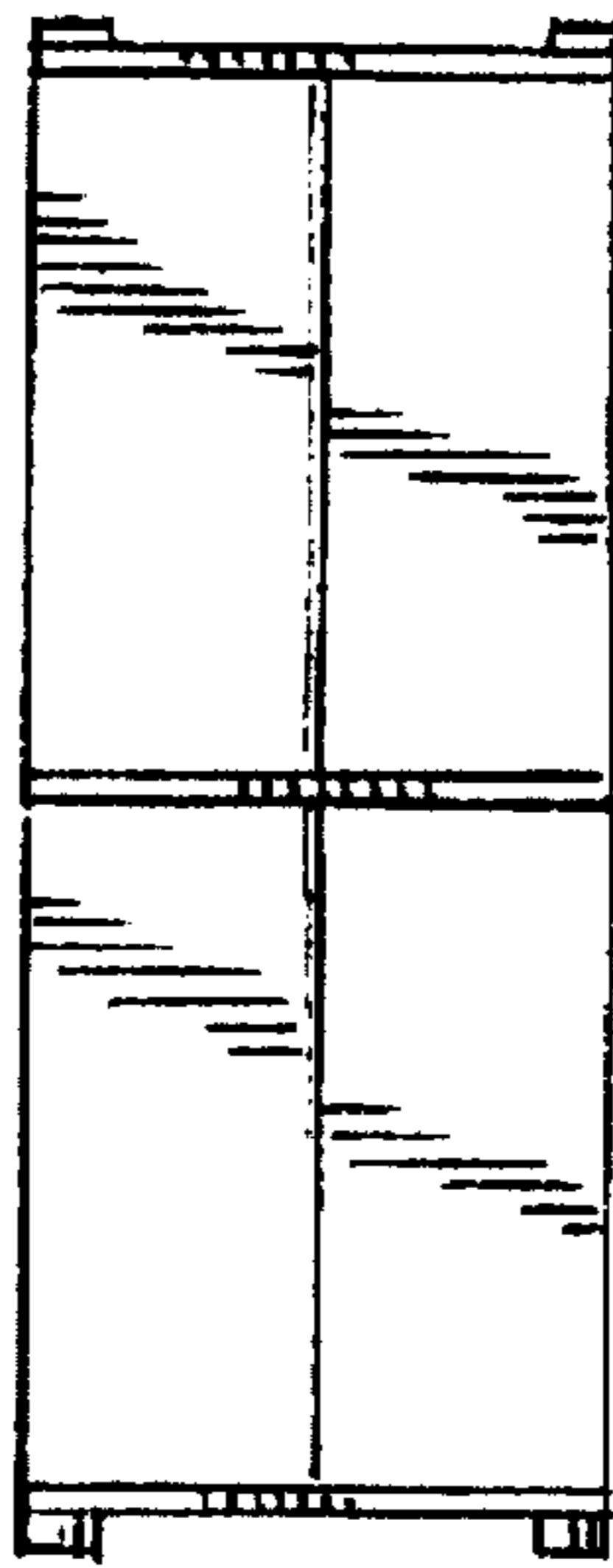


FIG. 4

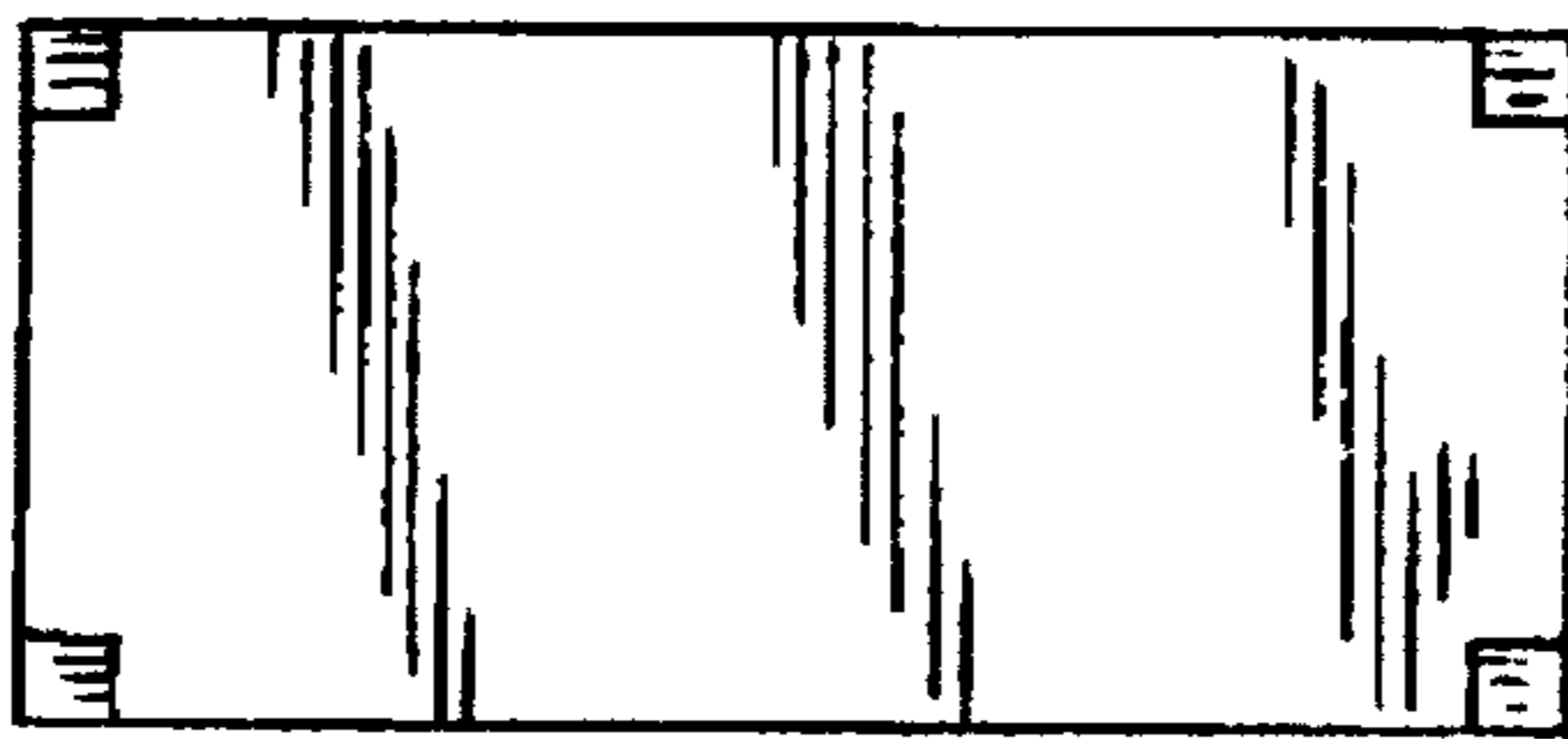


FIG. 5

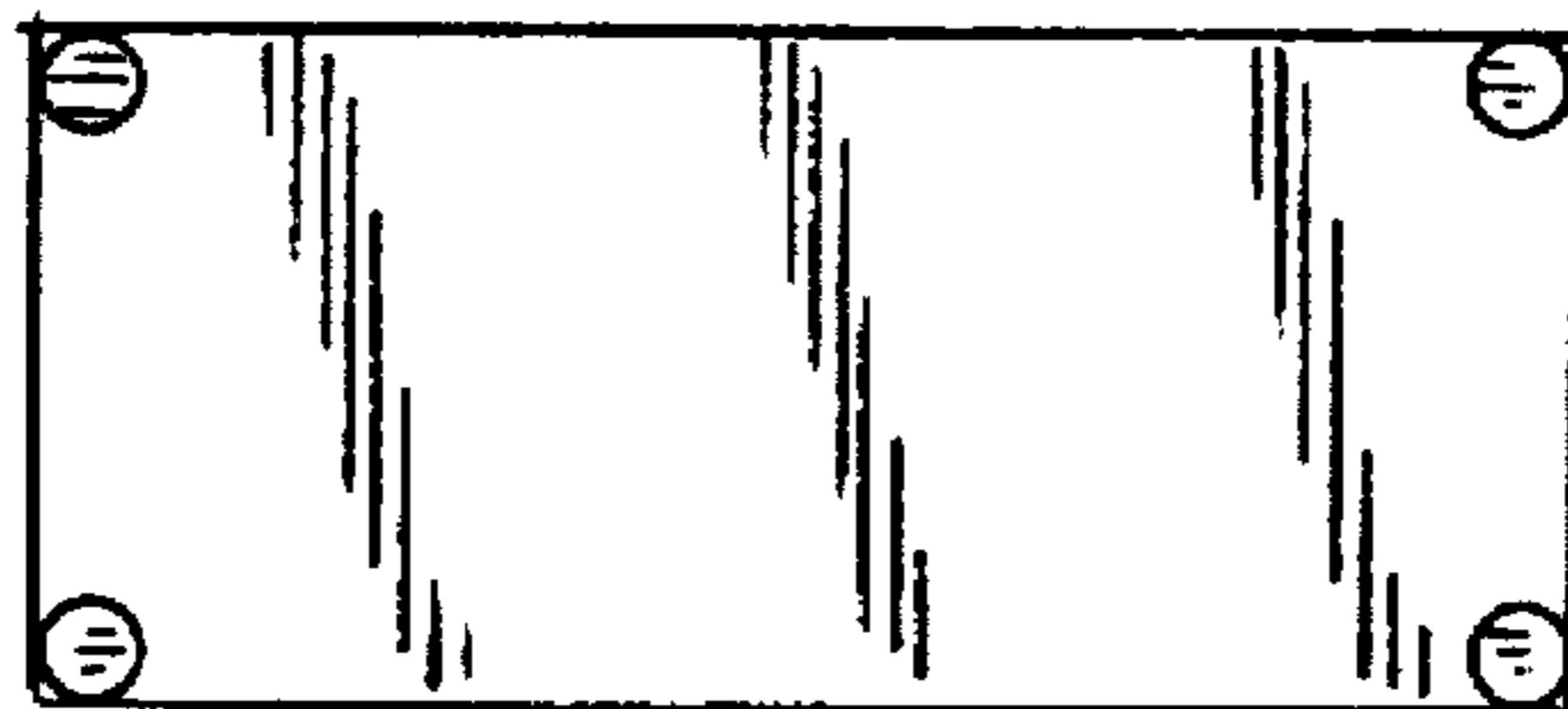


FIG. 6