



US00D384224S

**United States Patent** [19]  
**Dickinson et al.**

[11] **Patent Number:** **Des. 384,224**  
[45] **Date of Patent:** **\*\*Sep. 30, 1997**

[54] **FREESTANDING SHOE RACK**  
[75] **Inventors:** **Thomas Dickinson; Bradley D. Gale,**  
both of St. Louis, Mo.  
[73] **Assignee:** **Contico International, Inc.,** St. Louis,  
Mo.  
[\*\*] **Term:** **14 Years**

3,539,052 11/1970 Bellock .  
3,913,745 10/1975 Weiss .  
4,463,853 8/1984 Licari et al. .  
4,915,238 4/1990 Cassel .  
4,981,221 1/1991 Davis .  
5,076,442 12/1991 Hakeem .  
5,103,985 4/1992 Davis .

**FOREIGN PATENT DOCUMENTS**

1202001 3/1986 Canada ..... 211/182  
1428114 3/1976 United Kingdom .

[21] **Appl. No.:** **51,922**  
[22] **Filed:** **Mar. 19, 1996**  
[51] **LOC (6) Cl.** ..... **06-04**  
[52] **U.S. Cl.** ..... **D6/463; D6/411; D6/462**  
[58] **Field of Search** ..... **D6/462-468, 449,**  
**D6/411, 413, 415; 211/34-38, 13, 194,**  
**195, 153, 182, 187**

*Primary Examiner*—B. J. Bullock  
*Assistant Examiner*—Linda Brooks  
*Attorney, Agent, or Firm*—Howell & Haferkamp, L.C.

[57] **CLAIM**

The ornamental design for a freestanding shoe rack, as shown and described.

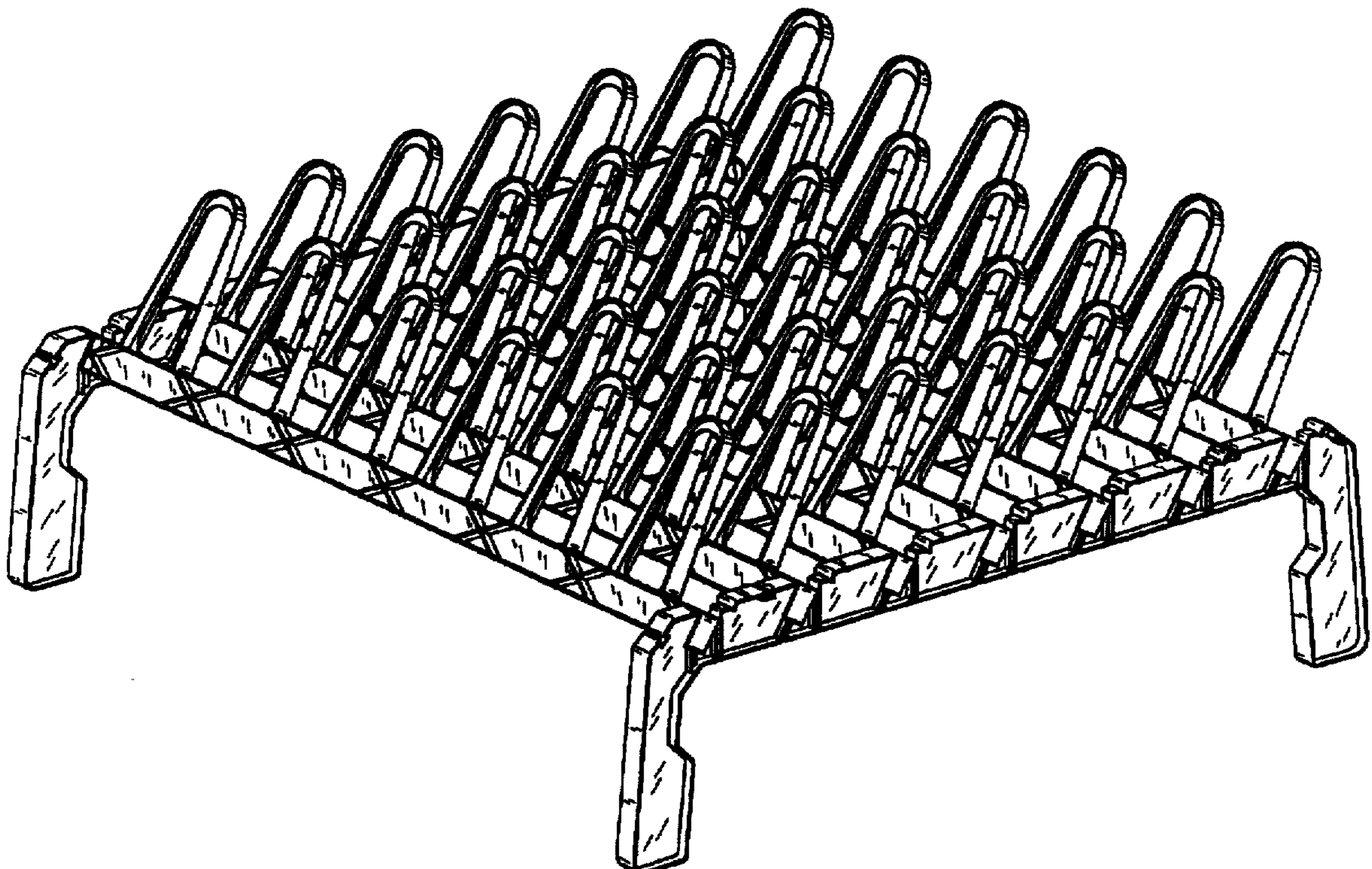
**DESCRIPTION**

FIG. 1 is an orthographic projection of the shoe rack of the present invention;  
FIG. 2 is a top plan view of the shoe rack;  
FIG. 3 is a bottom plan view of the shoe rack;  
FIG. 4 is a front elevation view of the shoe rack;  
FIG. 5 is a rear elevation view of the shoe rack;  
FIG. 6 is a right side elevation view of the shoe rack, the left side elevation view being a mirror image of the right side elevation view; and,  
FIG. 7 is an orthographic projection of the shoe rack in alternate assembly, the difference being the vertical placement of the shoe holding elements.

[56] **References Cited**  
**U.S. PATENT DOCUMENTS**

D. 165,942 2/1952 Stein .  
D. 270,118 8/1983 Wood .  
D. 290,562 6/1987 Tocci .  
D. 303,445 9/1989 Ferguson et al. .  
D. 318,196 7/1991 Sheng .  
D. 324,142 2/1992 Cassel .  
2,695,106 11/1954 Cohen .  
2,815,862 12/1957 Einhorn .  
2,836,306 5/1958 Einhorn .  
2,845,182 7/1958 Atkinson .  
2,928,549 3/1960 Neuwirth .  
2,943,741 7/1960 Atkinson .  
2,969,155 1/1961 Atkinson .

**1 Claim, 6 Drawing Sheets**



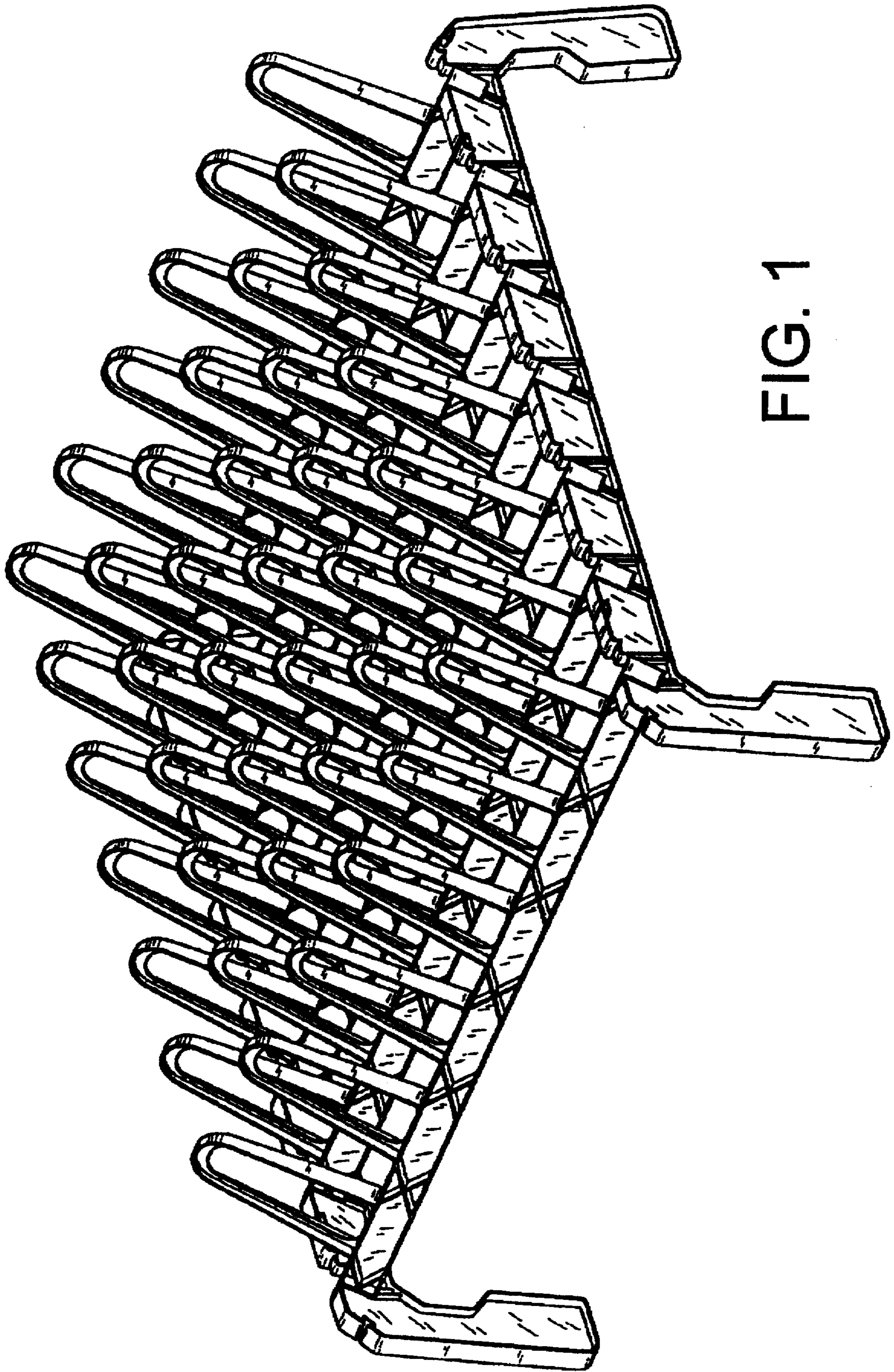


FIG. 1



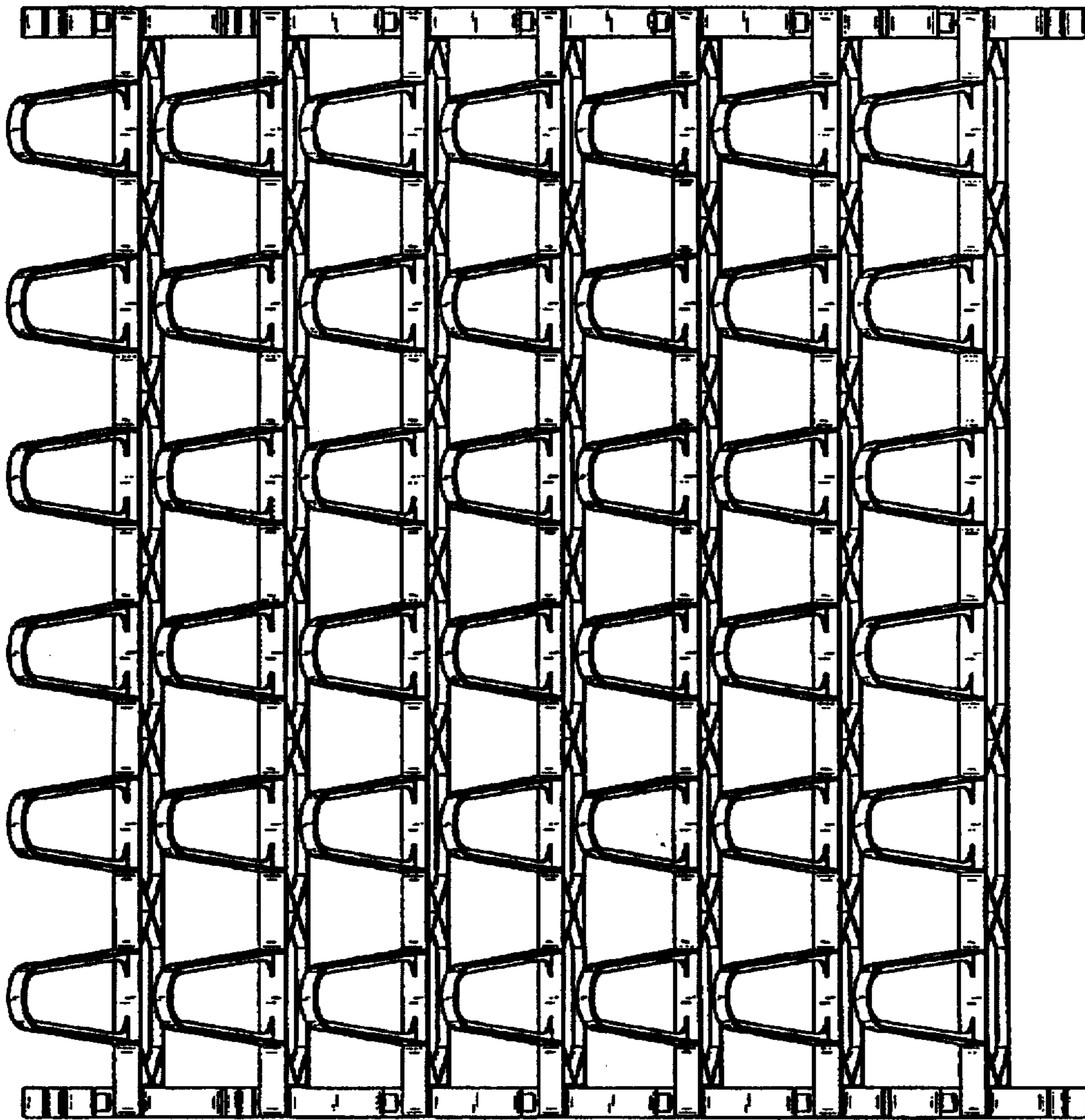


FIG. 2

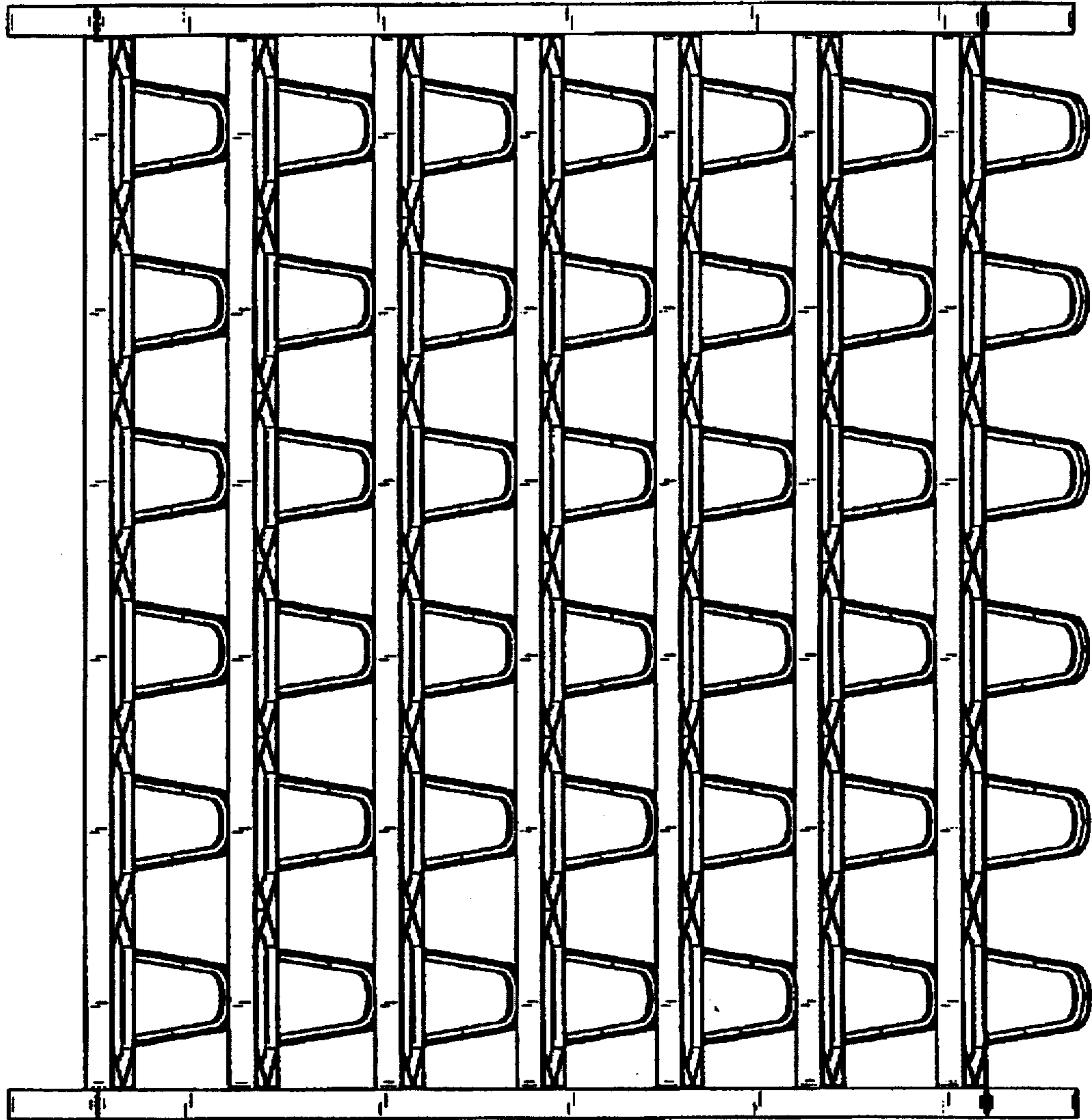


FIG. 3

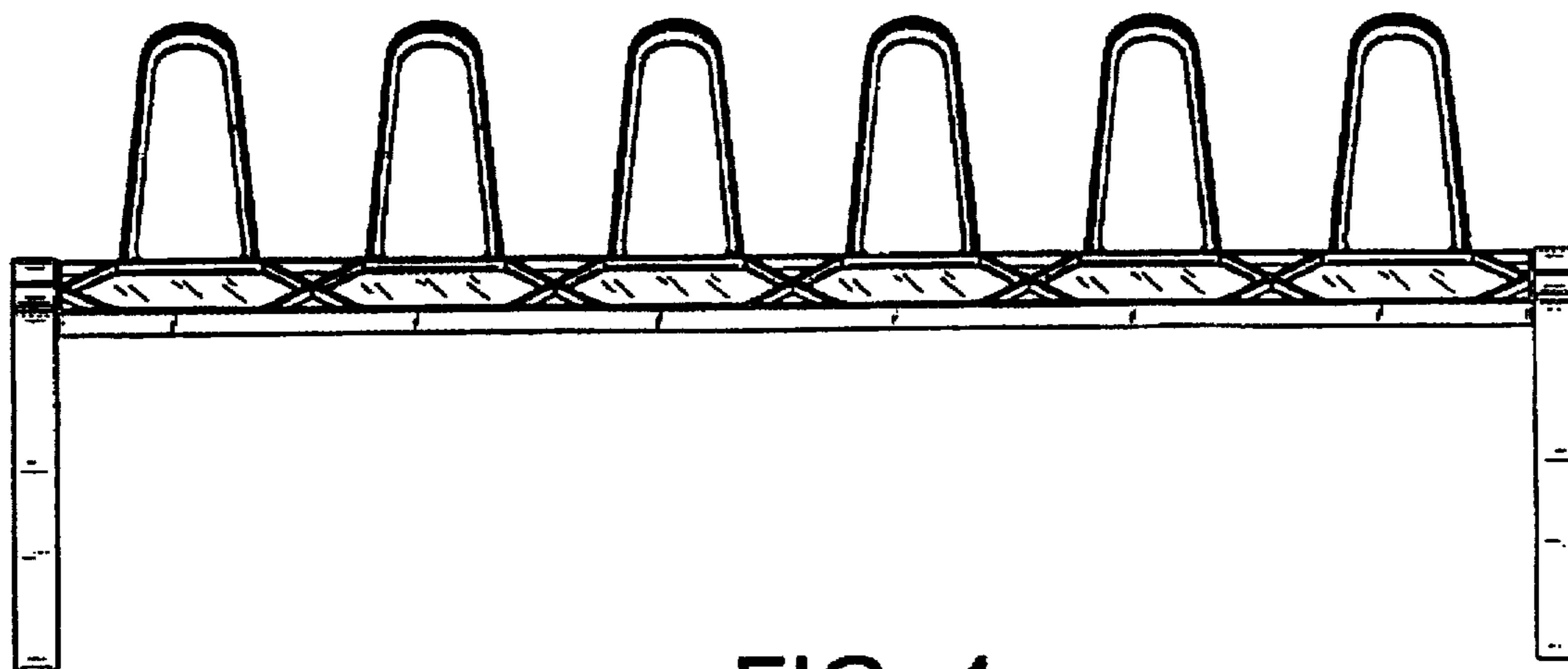


FIG. 4

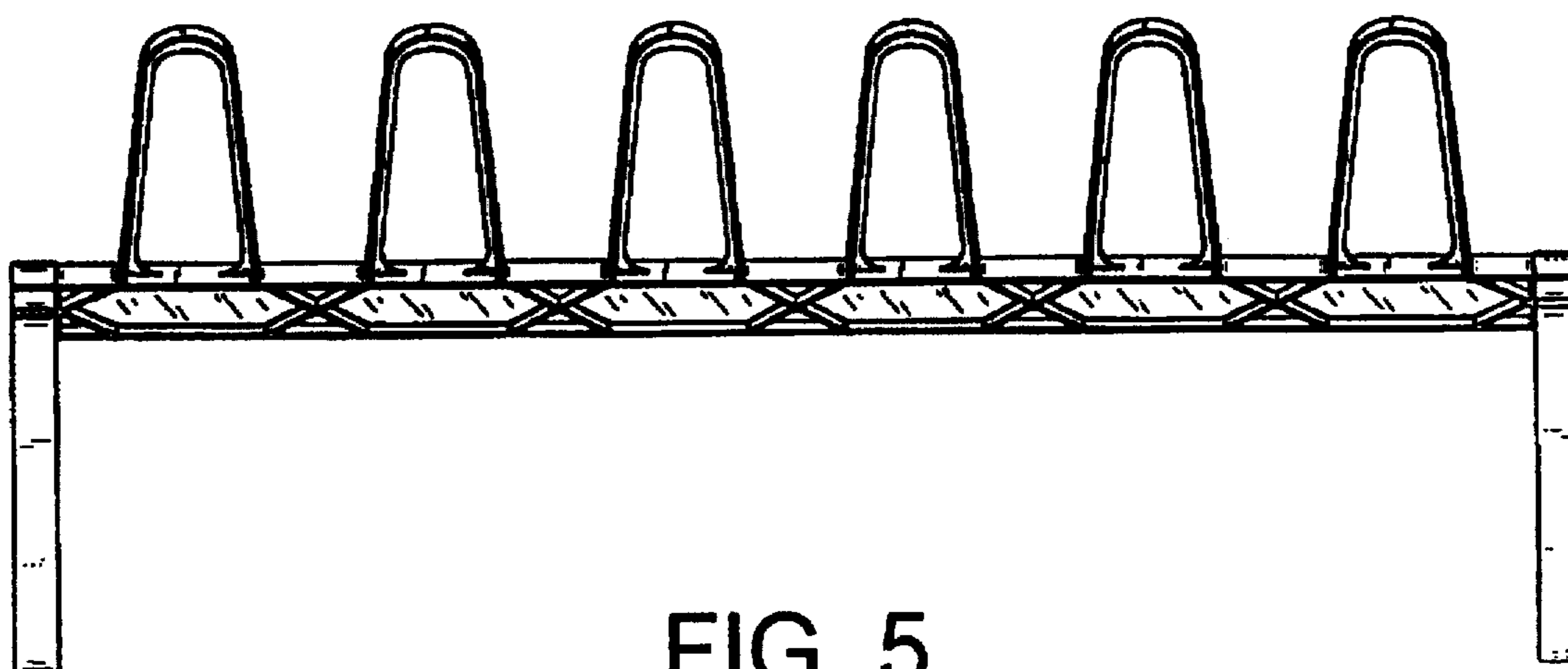


FIG. 5

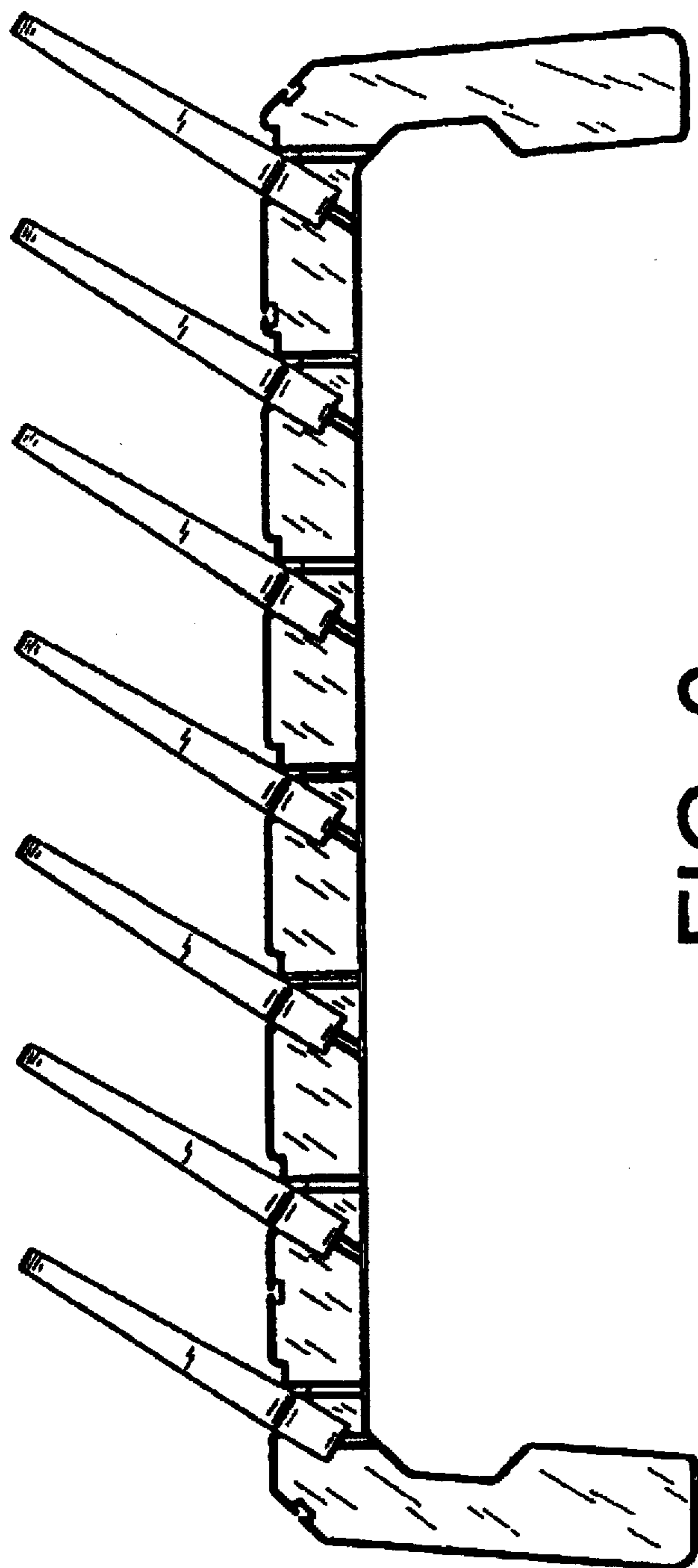


FIG. 6



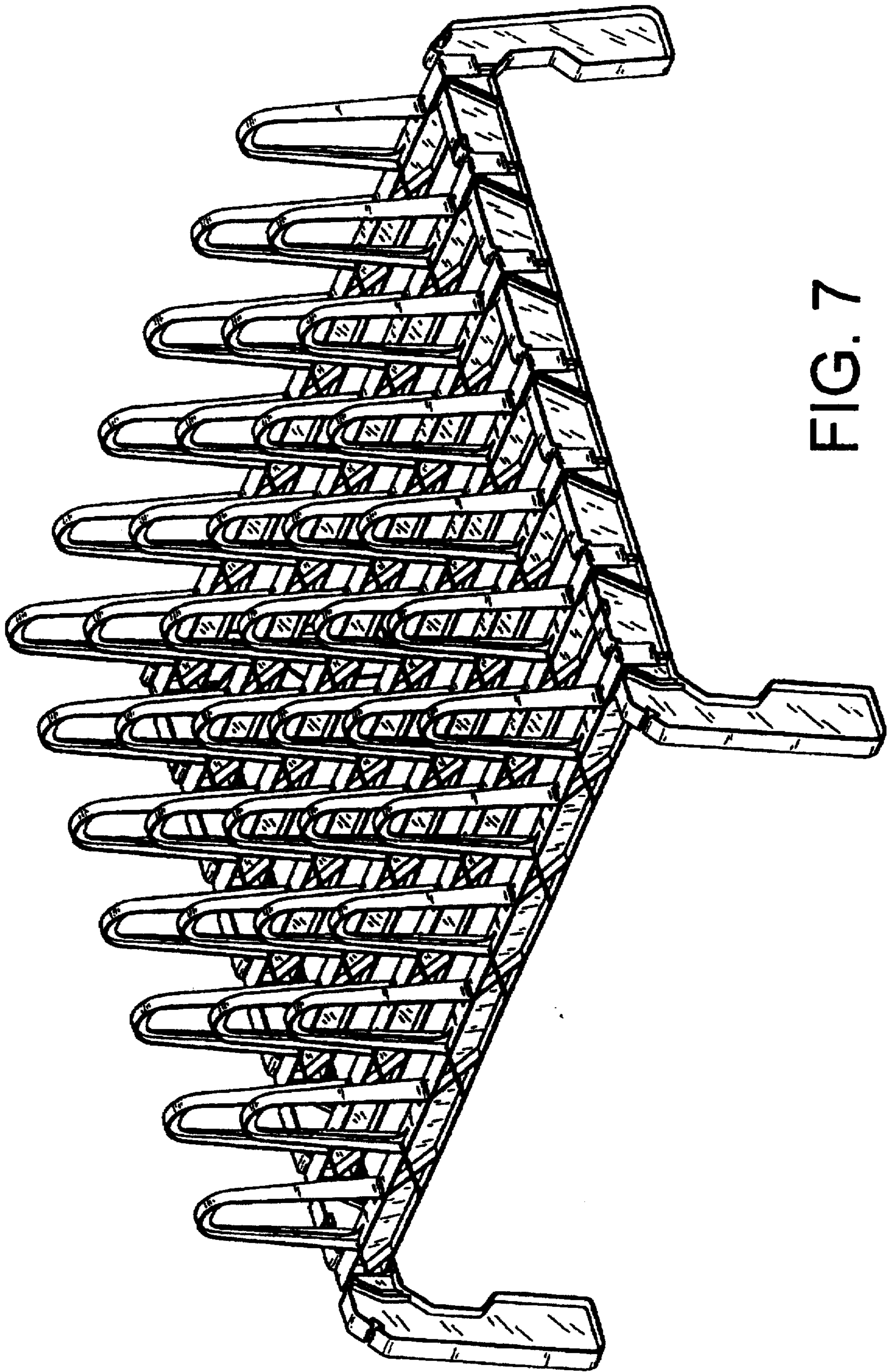


FIG. 7