

US00D384213S

United States Patent [19]
Infanti

[11] **Patent Number: Des. 384,213**
[45] **Date of Patent: **Sep. 30, 1997**

- [54] **CASINO CHAIR WITH CONSOLE**
- [75] **Inventor: Vittorio Infanti, Matawan, N.J.**
- [73] **Assignee: Infanti Chair Manufacturing Corp.,
Staten Island, N.Y.**
- [**] **Term: 14 Years**
- [21] **Appl. No.: 54,823**
- [22] **Filed: May 22, 1996**
- [51] **LOC (6) CL 06-01**
- [52] **U.S. Cl. D6/364; D6/341; D6/367**
- [58] **Field of Search D6/334, 335, 336,
D6/341, 356, 360, 364, 365, 367, 374,
375, 500, 501, 502; 297/344.19, 344.2,
451.5**

- D. 313,896 1/1991 Kaye D6/365
- D. 334,487 4/1993 Perry D6/364
- D. 372,132 7/1996 Infanti D6/367

Primary Examiner—Gary D. Watson
Attorney, Agent, or Firm—Anthony J. Casella; Gerald E. Hespos

[57] **CLAIM**

The ornamental design for a casino chair with console, as shown and described.

DESCRIPTION

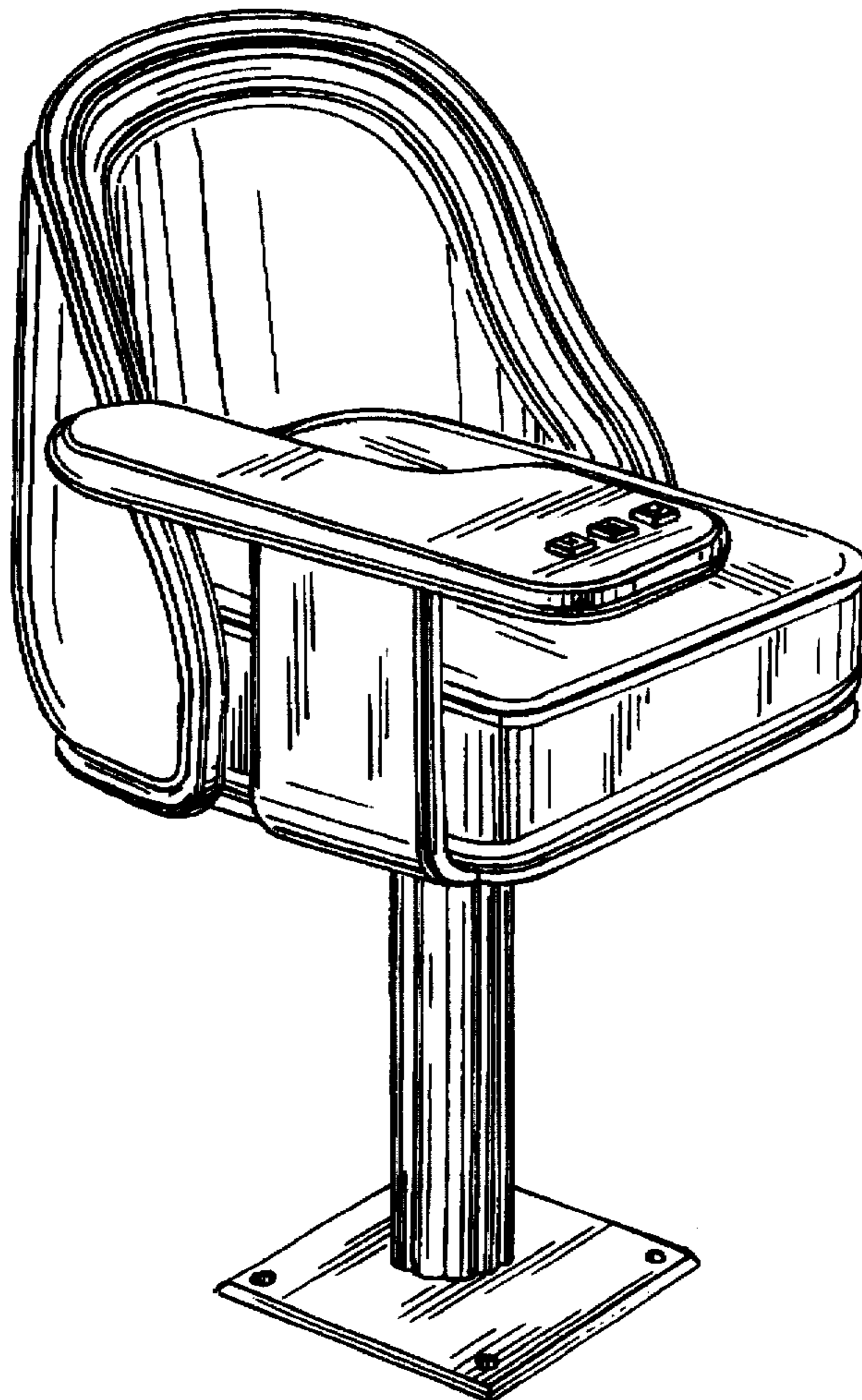
FIG. 1 is a perspective view of the casino chair with console showing my new design;
FIG. 2 is a top plan view thereof;
FIG. 3 is a bottom plan view thereof;
FIG. 4 is a front elevational view thereof;
FIG. 5 is a back elevational view thereof;
FIG. 6 is a side elevational view thereof taken from the left side of FIG. 4; and,
FIG. 7 is a side elevational view thereof taken from the right side of FIG. 4.

[56] **References Cited**

U.S. PATENT DOCUMENTS

- D. 153,875 5/1949 Hager D6/356
- D. 219,376 12/1970 Pearson D6/364
- D. 232,879 9/1974 Samhammer D6/360
- D. 298,986 12/1988 Carter D6/364 X

1 Claim, 2 Drawing Sheets



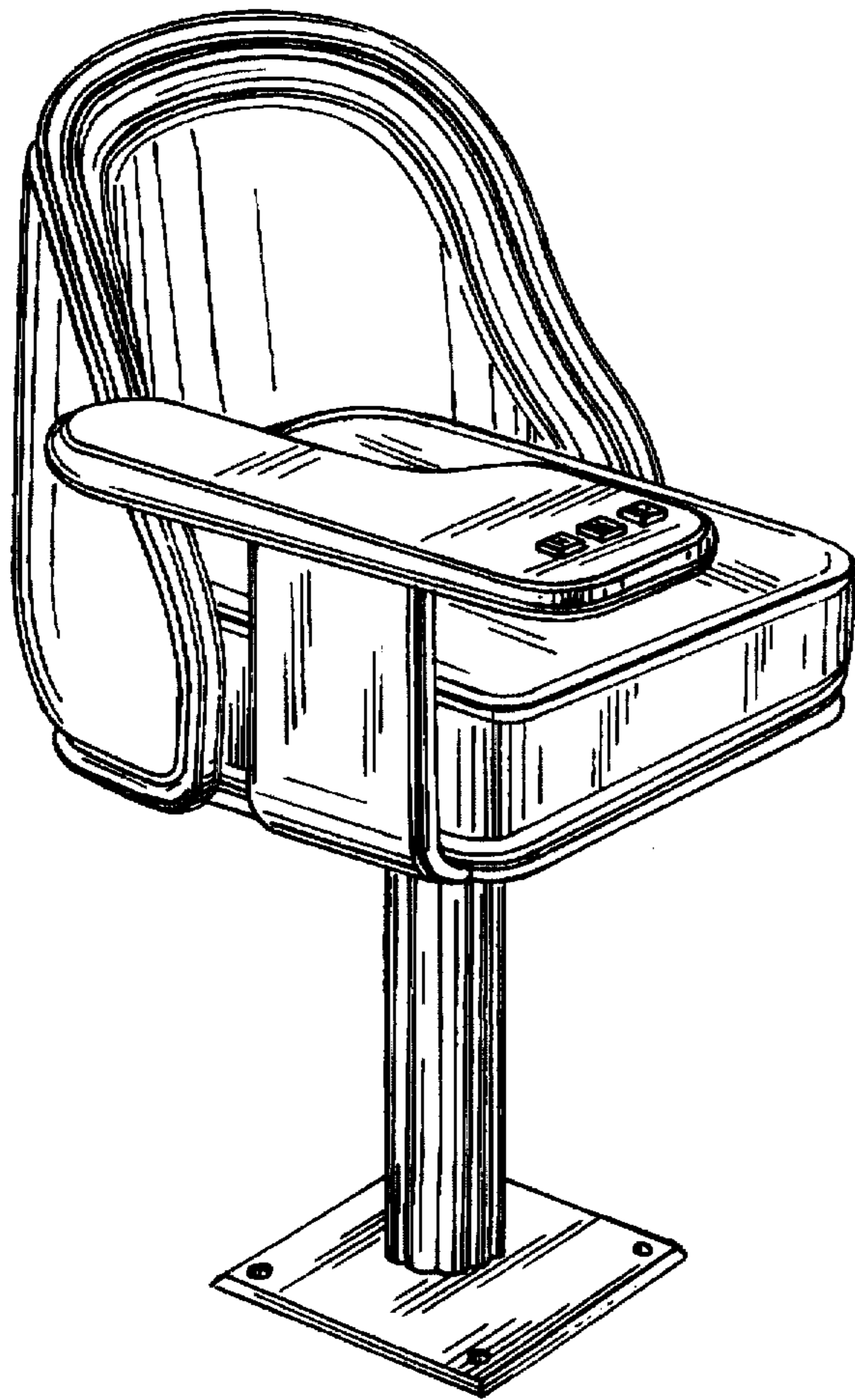


FIG. 1

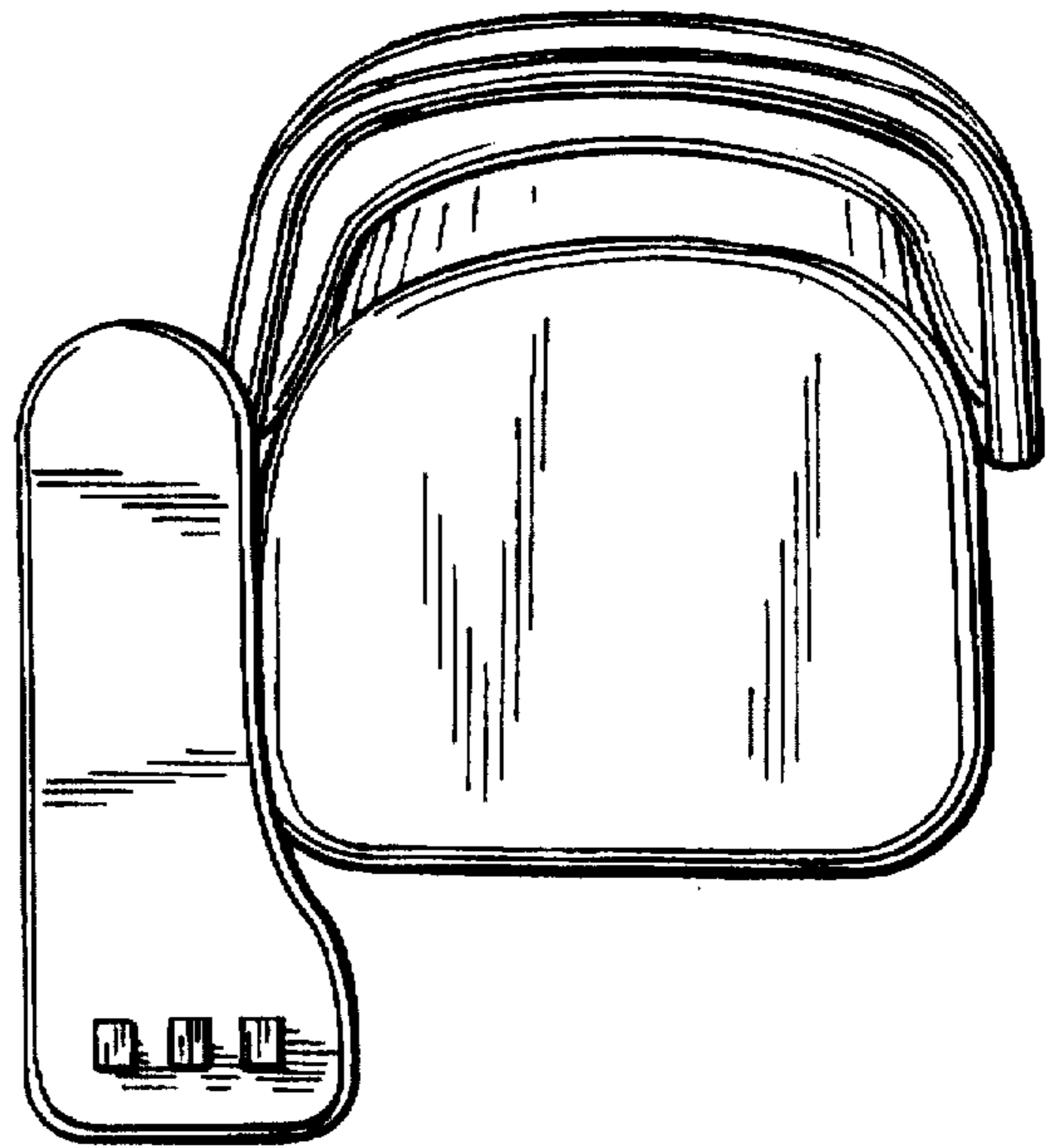


FIG. 2

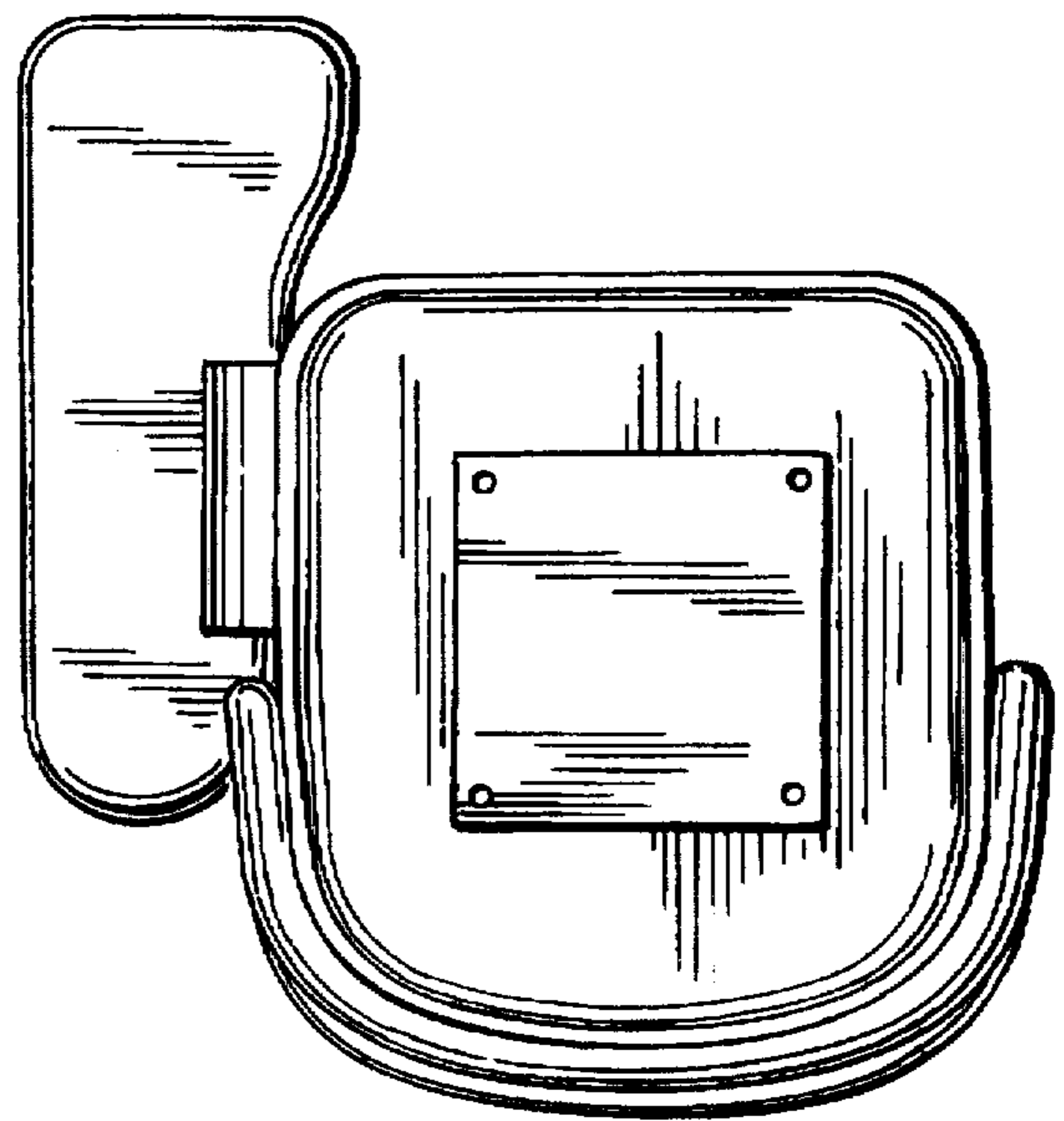


FIG. 3

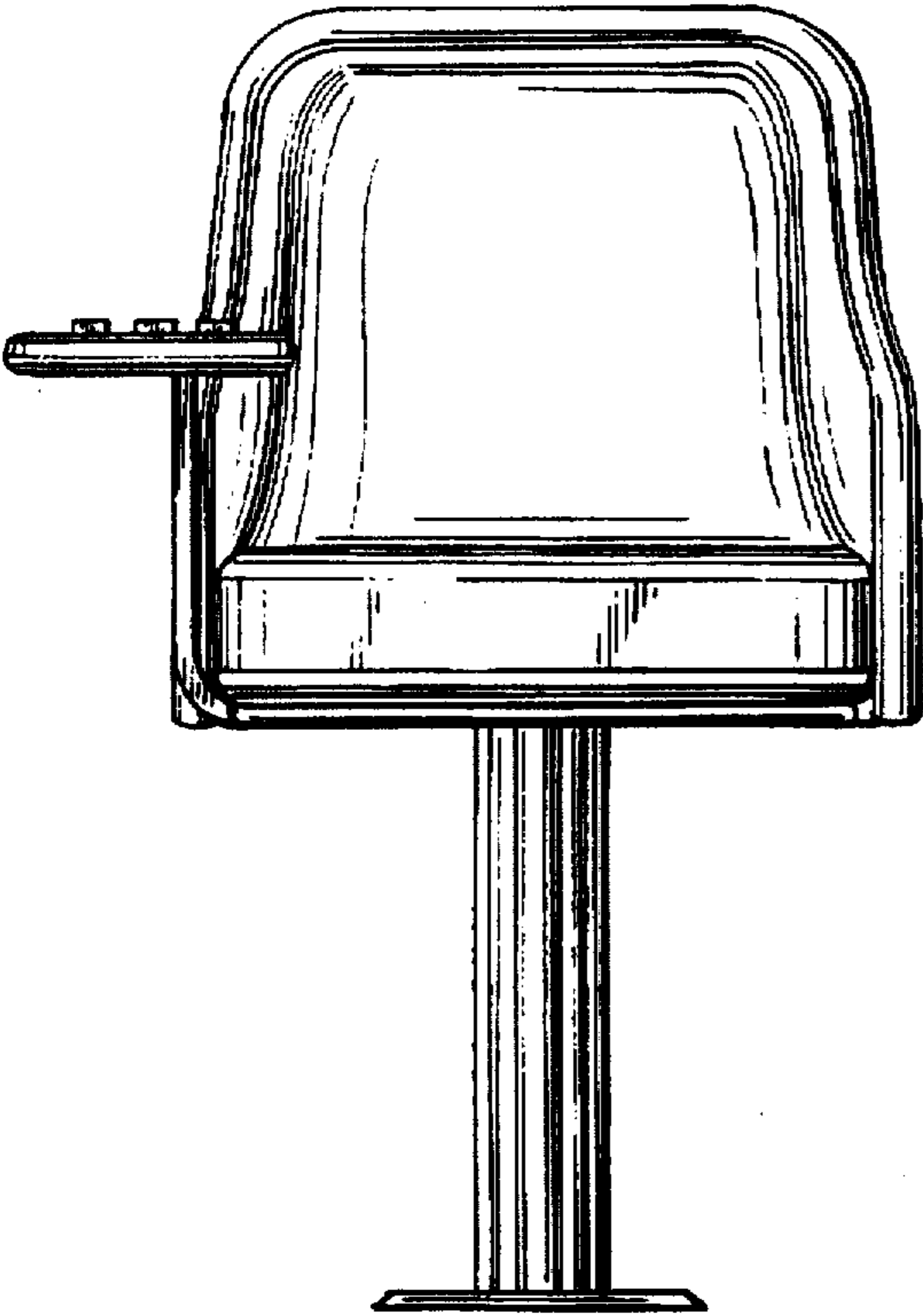


FIG. 4

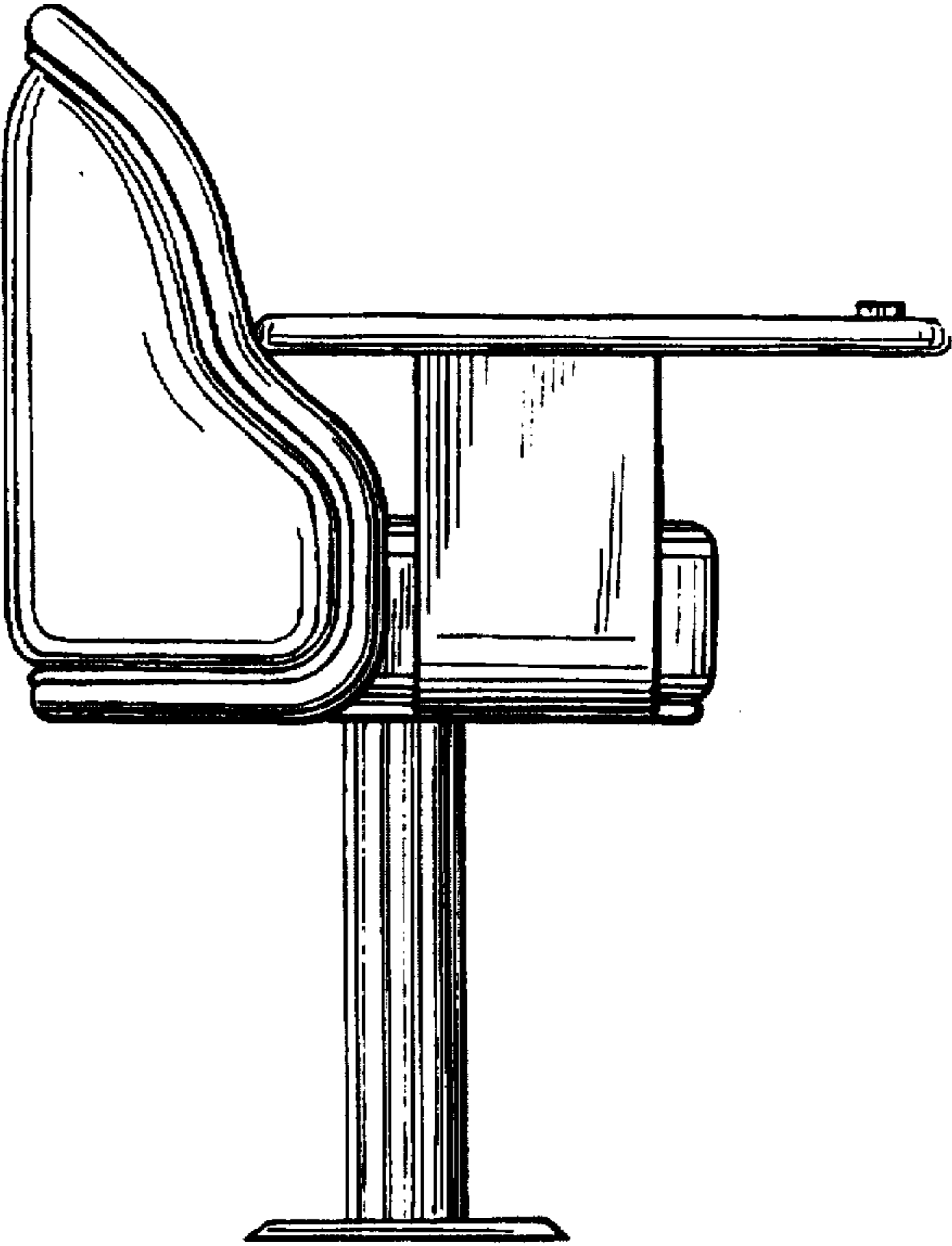


FIG. 6

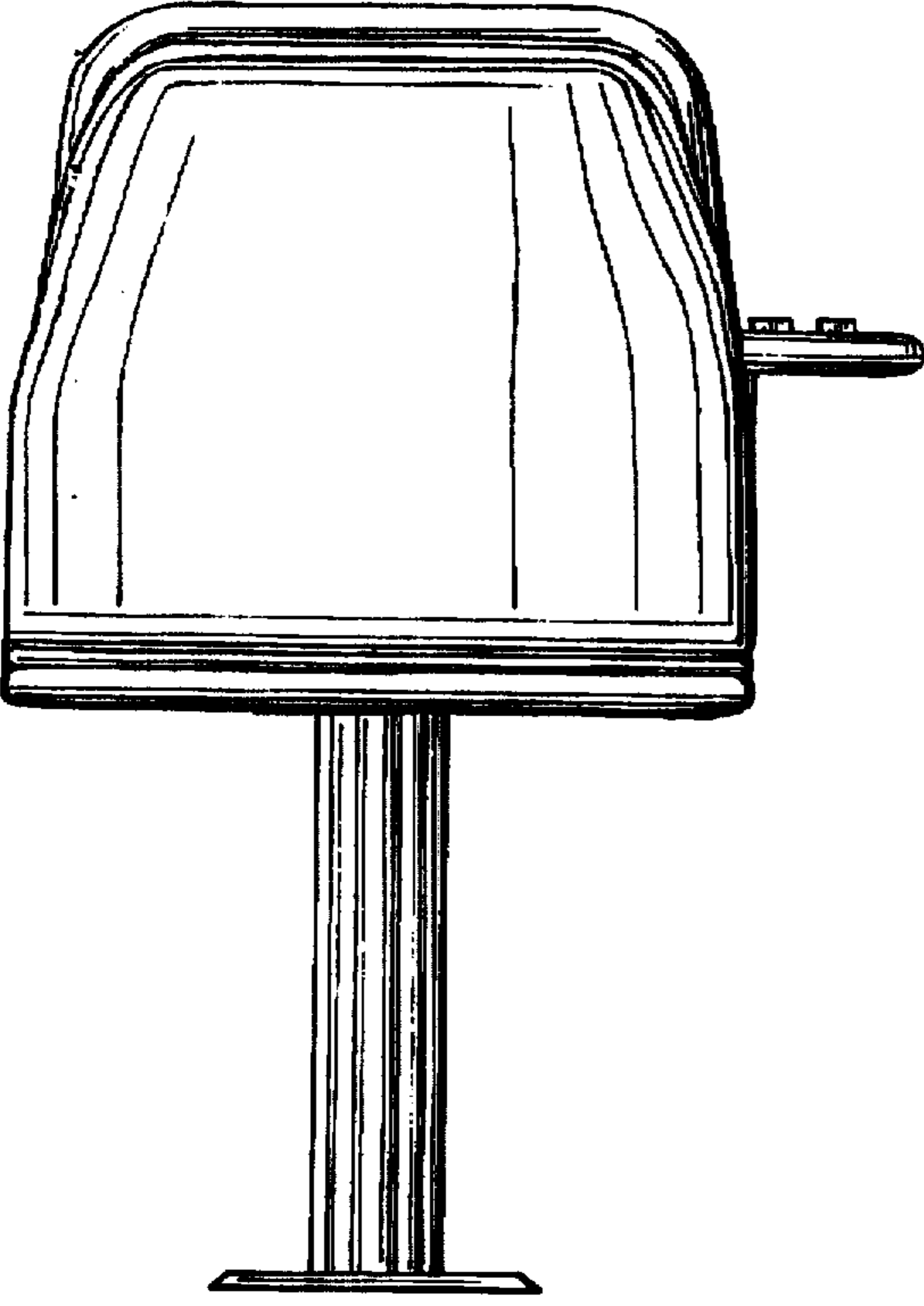


FIG. 5

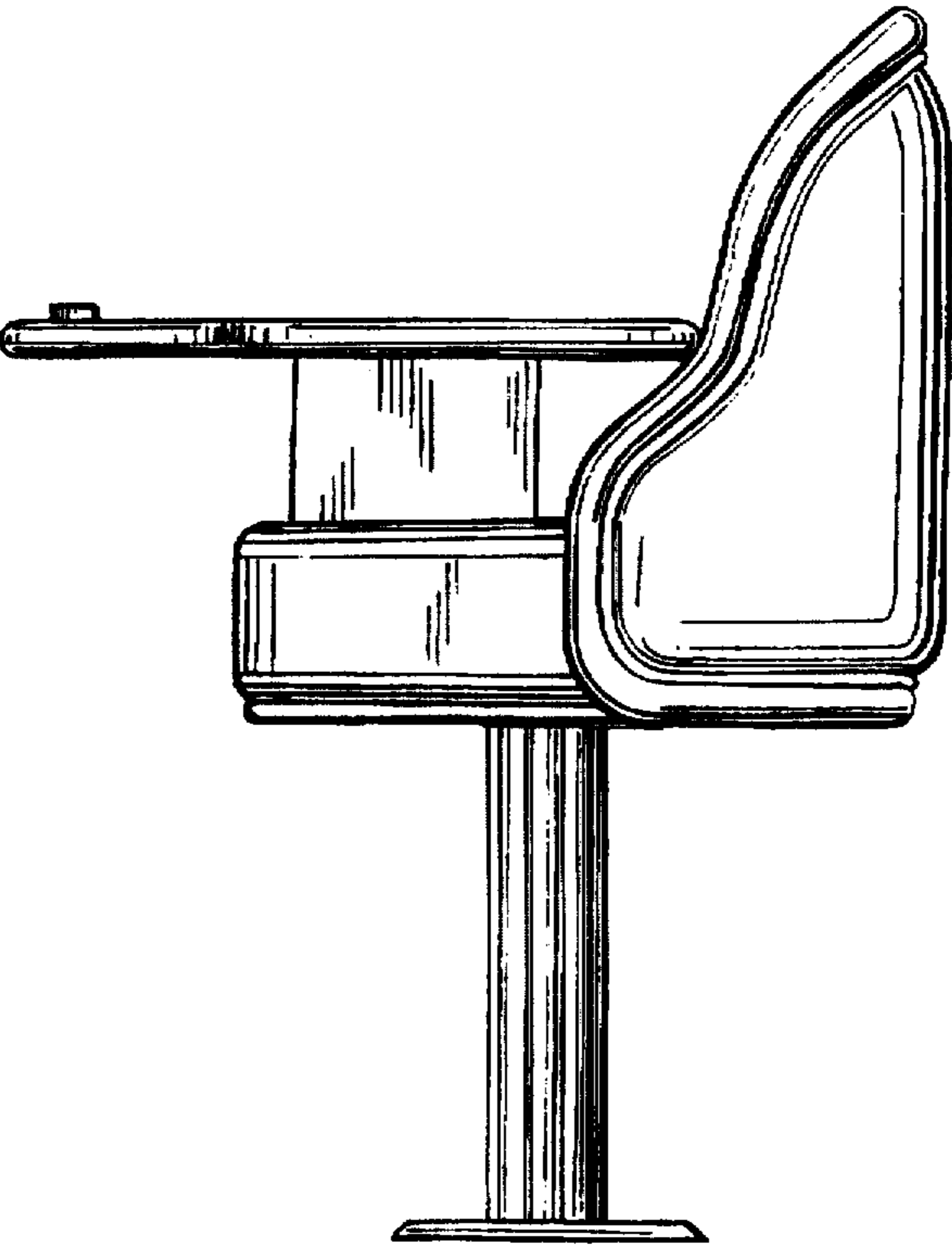


FIG. 7