



US00D384212S

United States Patent [19] Infanti

[11] Patent Number: Des. 384,212

[45] Date of Patent: **Sep. 30, 1997

[54] CASINO CHAIR WITH ATTACHED FOOTREST

D. 313,896 1/1991 Kaye D6/365
D. 372,132 7/1996 Infanti D6/367

[75] Inventor: Vittorio Infanti, Mattawan, N.J.

Primary Examiner—Gary D. Watson
Attorney, Agent, or Firm—Anthony J. Casella; Gerald E. Hespos

[73] Assignee: Infanti Chair Manufacturing Corp.,
Staten Island, N.Y.

[**] Term: 14 Years

[57] CLAIM

[21] Appl. No.: 54,320

The ornamental design for a casino chair with attached footrest, as shown and described.

[22] Filed: May 9, 1996

DESCRIPTION

[51] LOC (6) Cl. 06-01

[52] U.S. Cl. D6/360; D6/364; D6/367

[58] Field of Search D6/334, 335, 356,
D6/360, 364, 365, 367, 374, 375, 500,
501, 502; 297/344.19, 344.2, 451.5

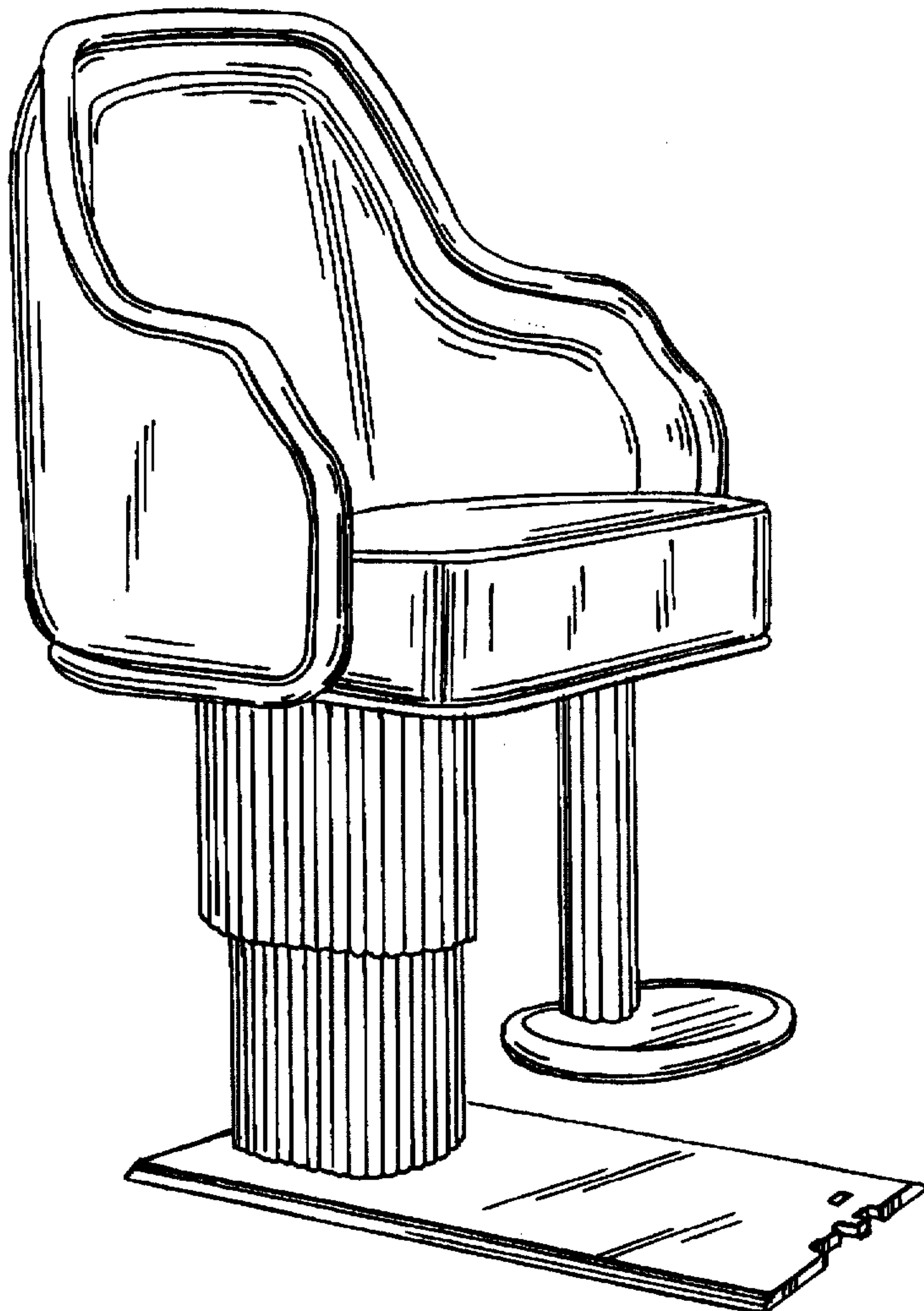
FIG. 1 is a perspective view of the casino chair with attached footrest showing my new design;
FIG. 2 is a top plan view thereof;
FIG. 3 is a bottom plan view thereof;
FIG. 4 is a front elevational view thereof;
FIG. 5 is a back elevational view thereof;
FIG. 6 is a side elevational view thereof taken from the left side of FIG. 4; and,
FIG. 7 is a side elevational view thereof taken from the right side of FIG. 4.

[56] References Cited

U.S. PATENT DOCUMENTS

D. 219,376 12/1970 Pearson D6/364
D. 232,879 9/1974 Samhammer D6/360
D. 298,986 12/1988 Carter D6/364 X

1 Claim, 2 Drawing Sheets



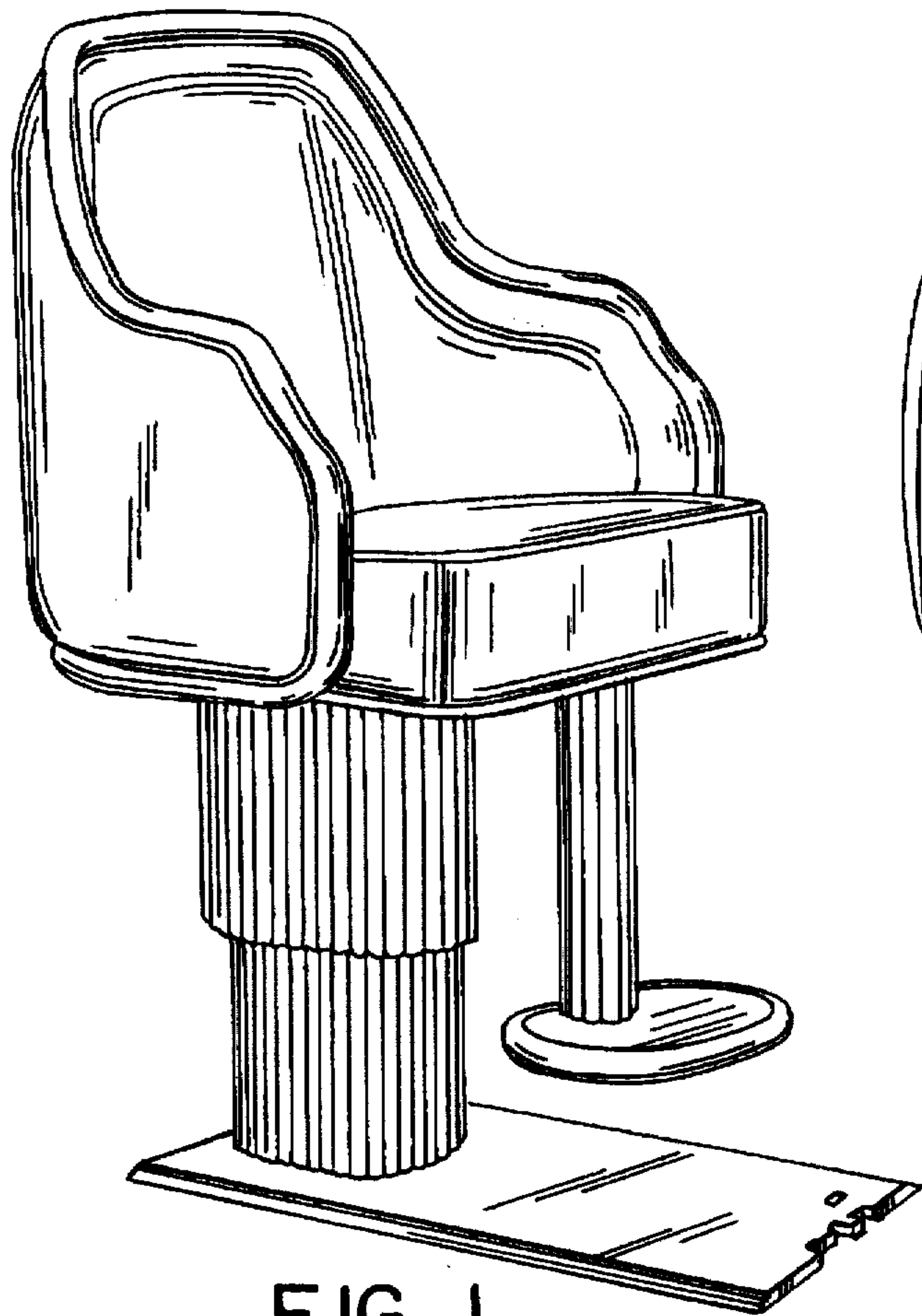


FIG. 1

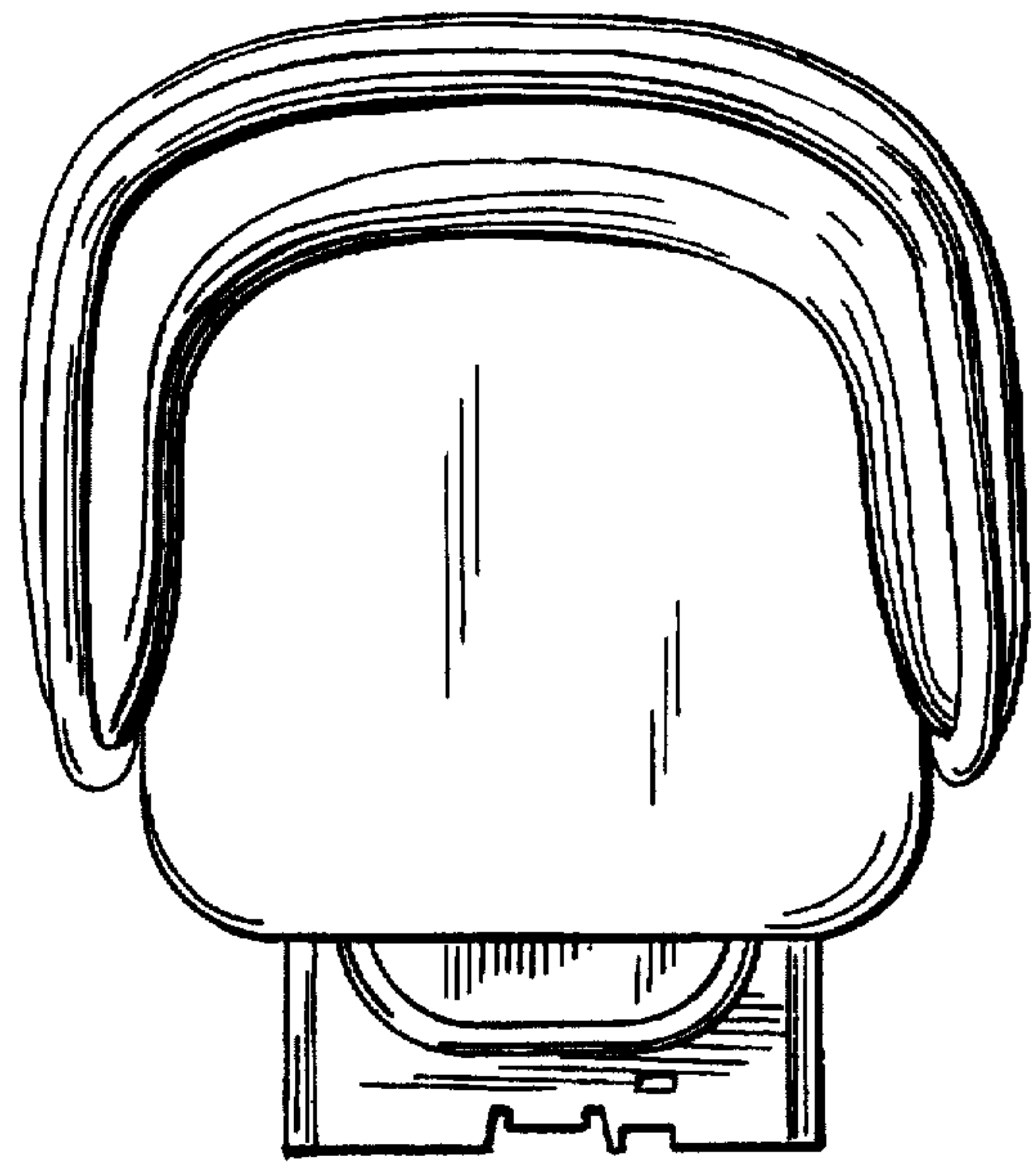


FIG. 2

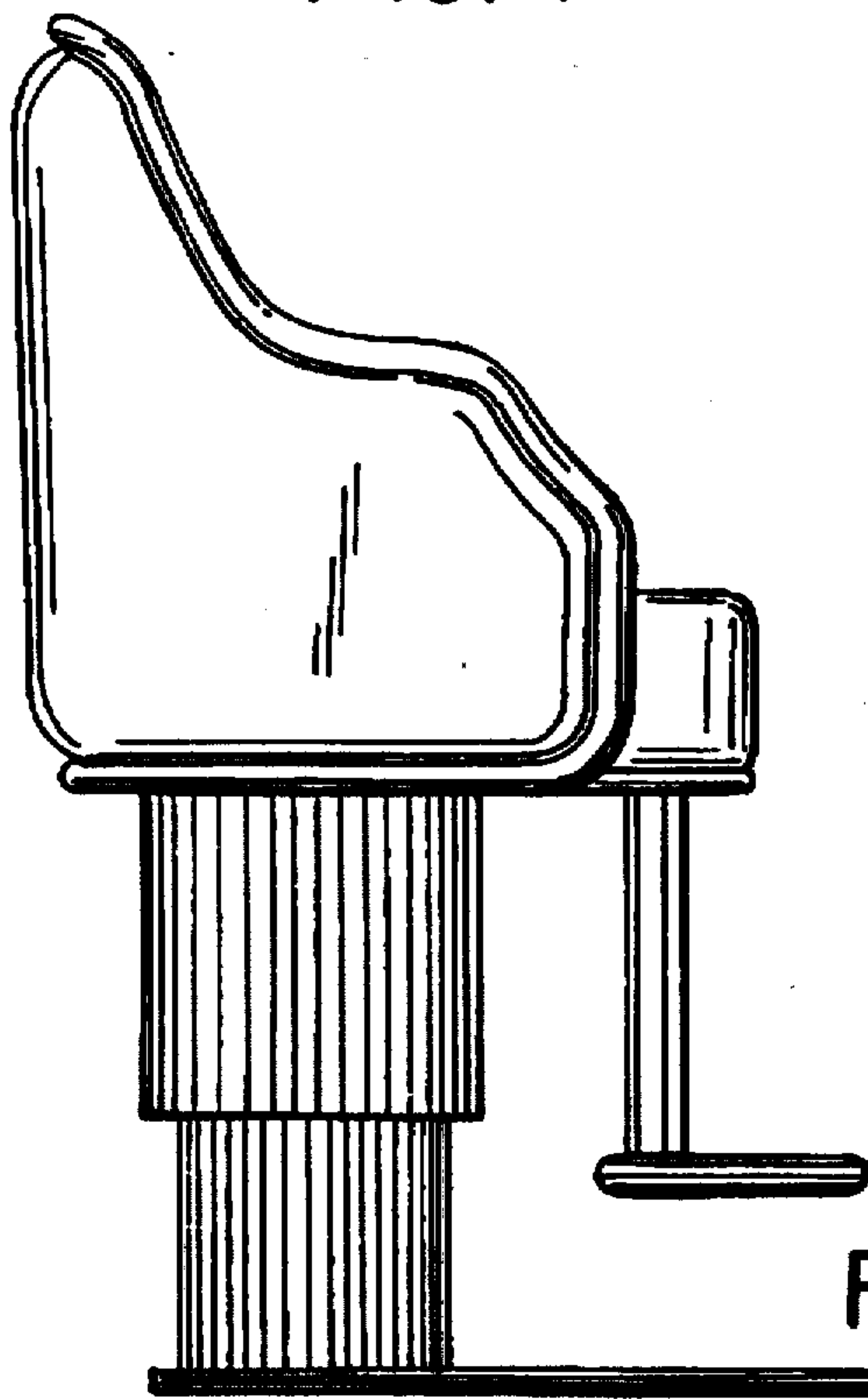


FIG. 6

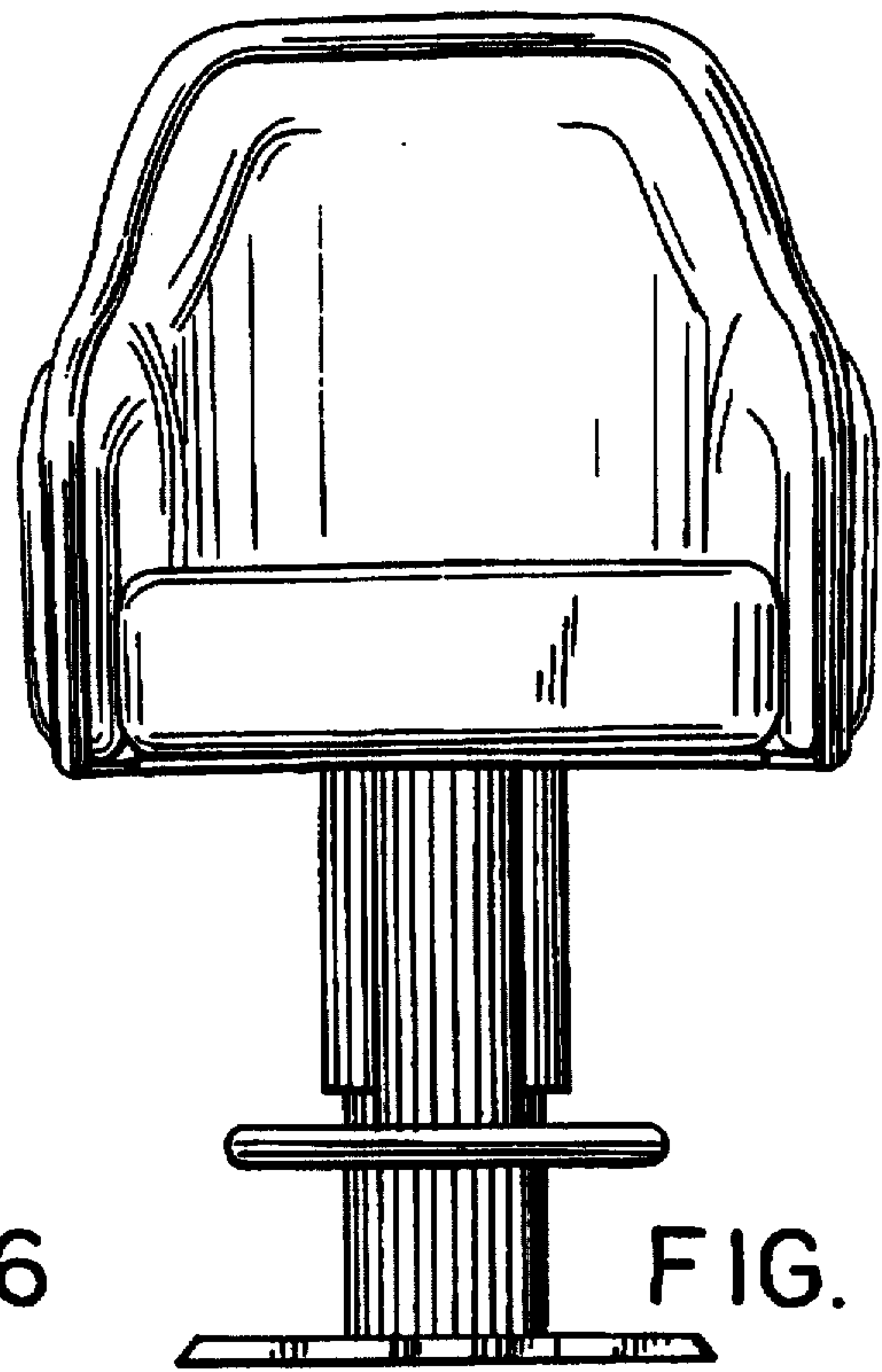


FIG. 4

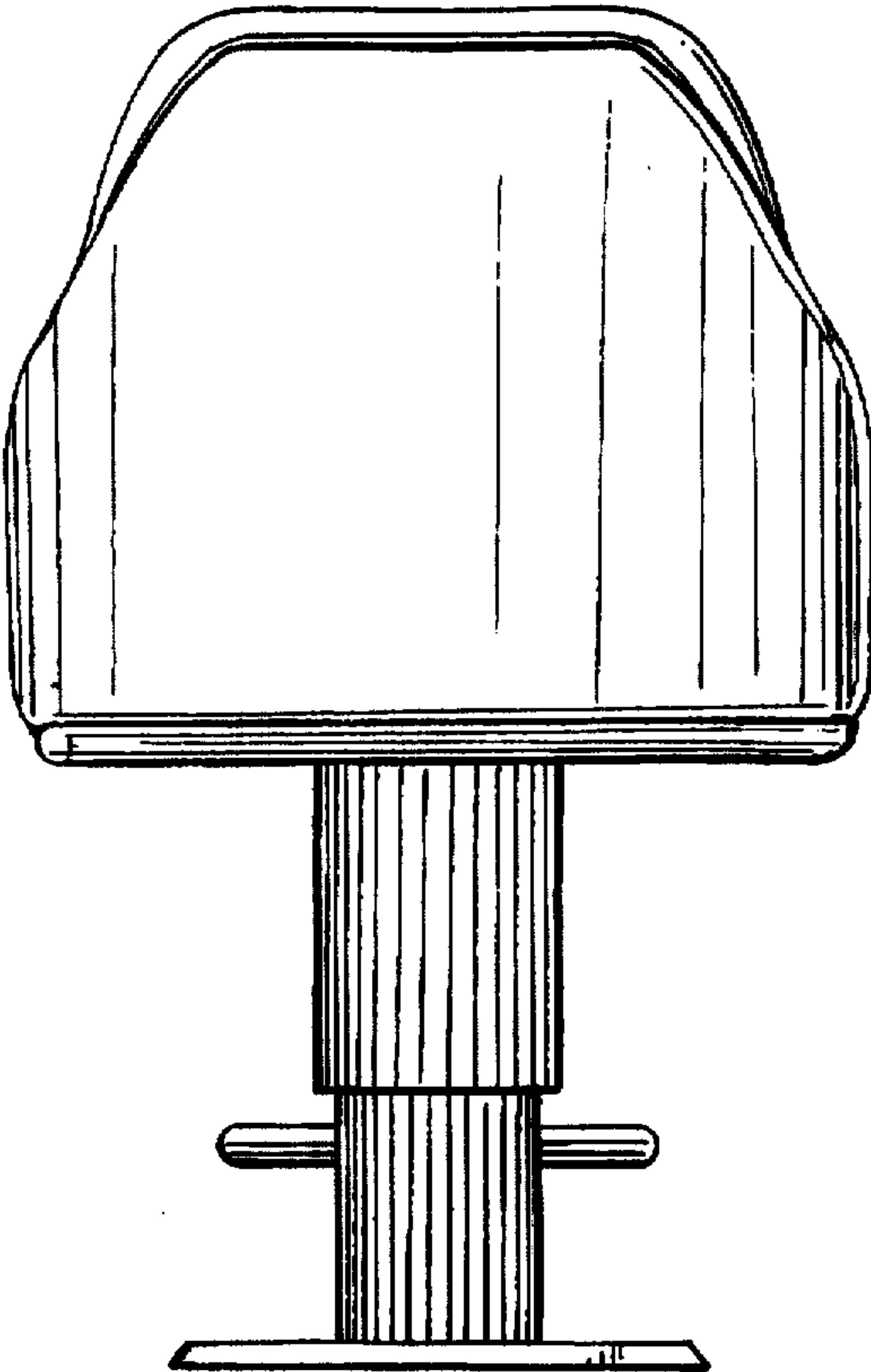


FIG. 5

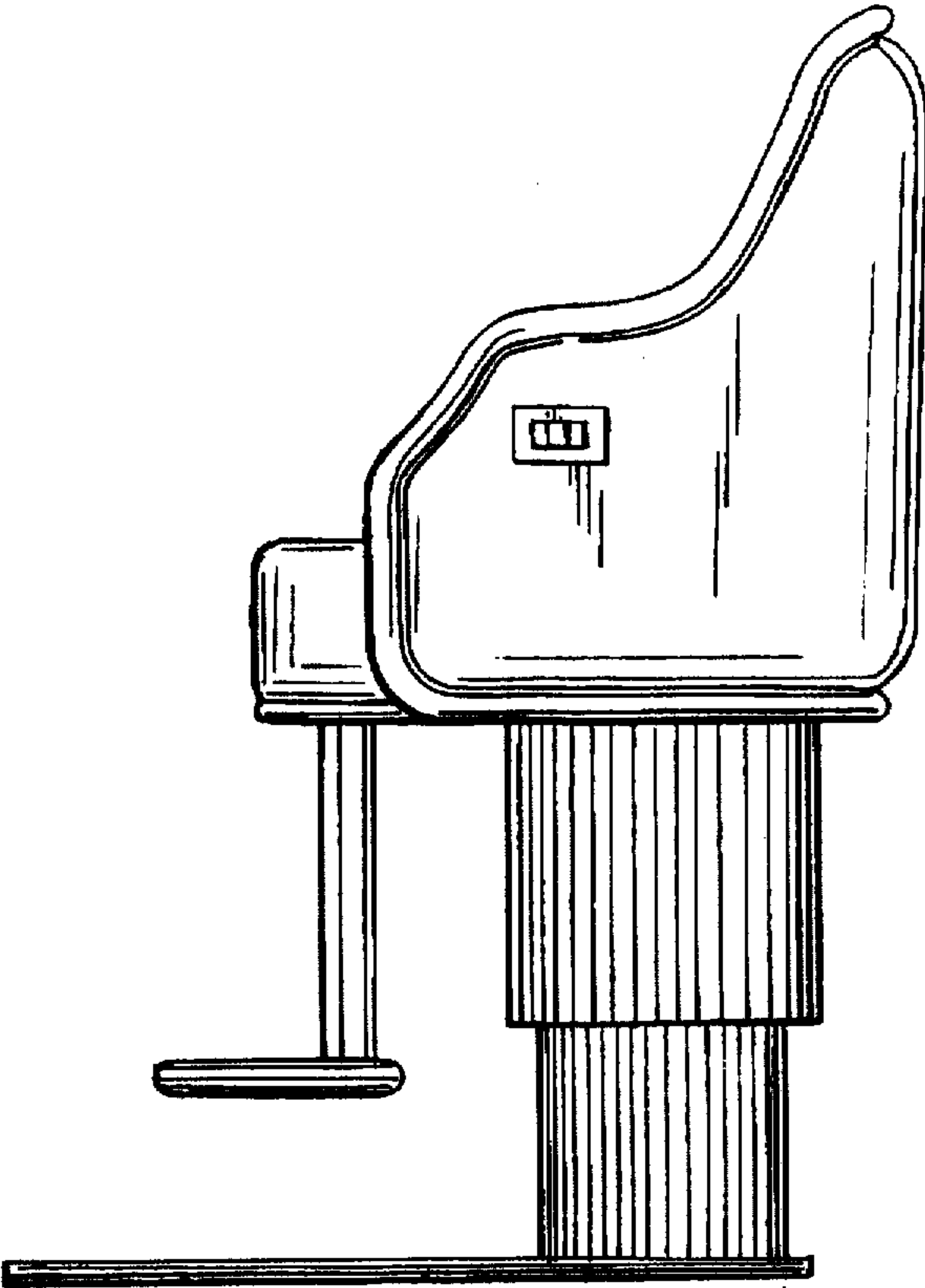


FIG. 7

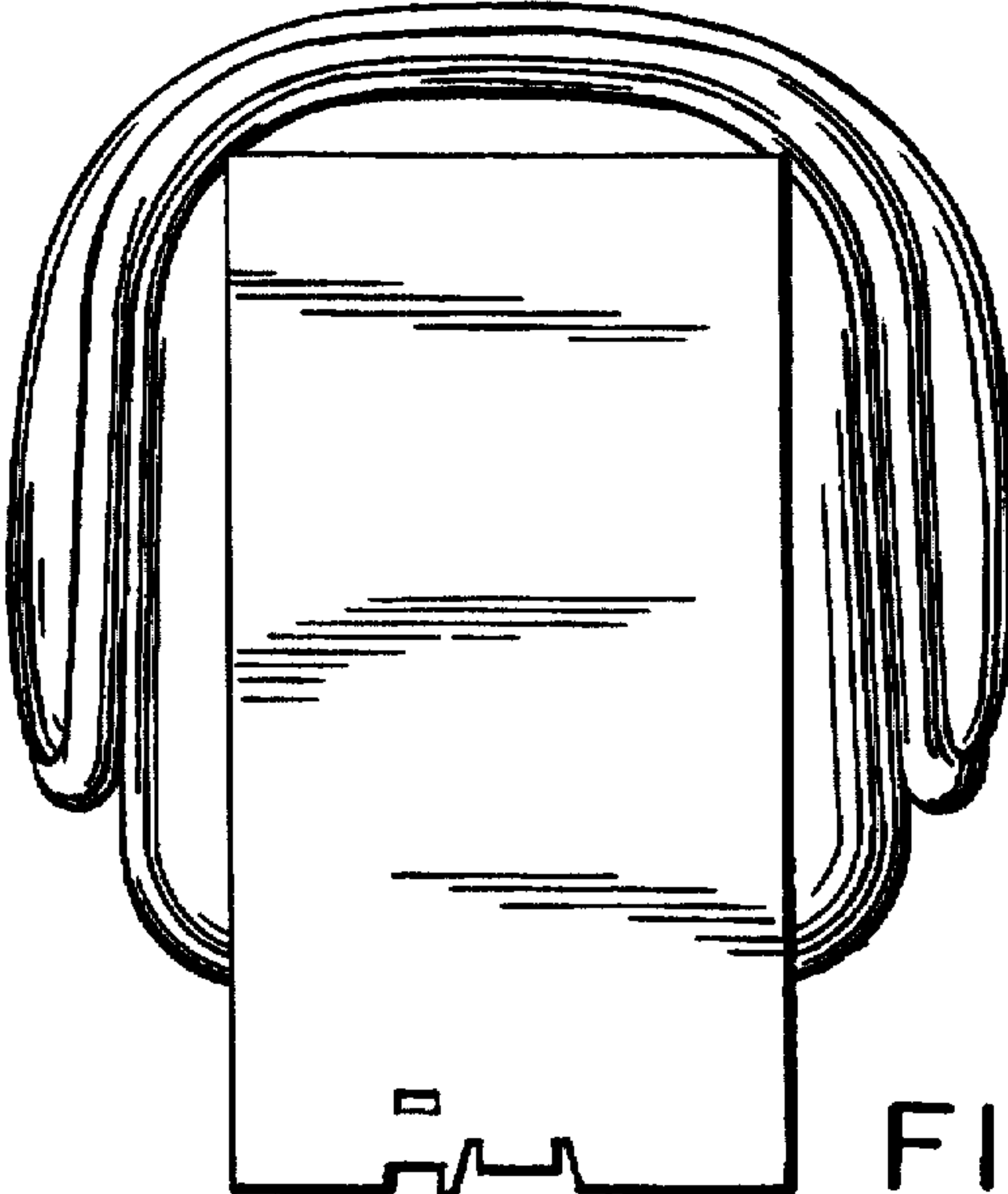


FIG. 3