



US00D384202S

United States Patent [19] Gilmore

[11] Patent Number: **Des. 384,202**
[45] Date of Patent: ****Sep. 30, 1997**

[54] **STORAGE BOX**
[75] Inventor: **Benjamin E. Gilmore, 638 6th St.,
Hermosa Beach, Calif. 90254**
[73] Assignee: **Benjamin E. Gilmore, Hermosa Beach,
Calif.**
[**] Term: **14 Years**

3,231,730	1/1966	Wagner	362/154
3,606,511	9/1971	Henning et al. .	
3,938,132	2/1976	Cunningham	362/154
4,571,740	2/1986	Kirby et al.	455/344
4,643,494	2/1987	Marleau	312/111
4,855,881	8/1989	Pence	362/156
5,143,440	9/1992	Trampota	362/156
5,219,446	6/1993	Klepac	362/154
5,333,408	8/1994	Simmons	43/54.1
5,344,339	9/1994	Cheslock	206/373

[21] Appl. No.: **54,956**
[22] Filed: **May 24, 1996**

Primary Examiner—Philip S. Hyder
Attorney, Agent, or Firm—Burns, Doane, Swecker and Mathis, L.L.P.

[51] **LOC (6) Cl.** **03-01**
[52] **U.S. Cl.** **D3/274; D3/905; D26/38**
[58] **Field of Search** **D3/272, 273, 274,
D3/276, 281, 282, 905, 294; D26/38; 206/315.1,
349, 372, 373; 362/154, 156**

[57] CLAIM

The ornamental design for a storage box, as shown and described.

DESCRIPTION

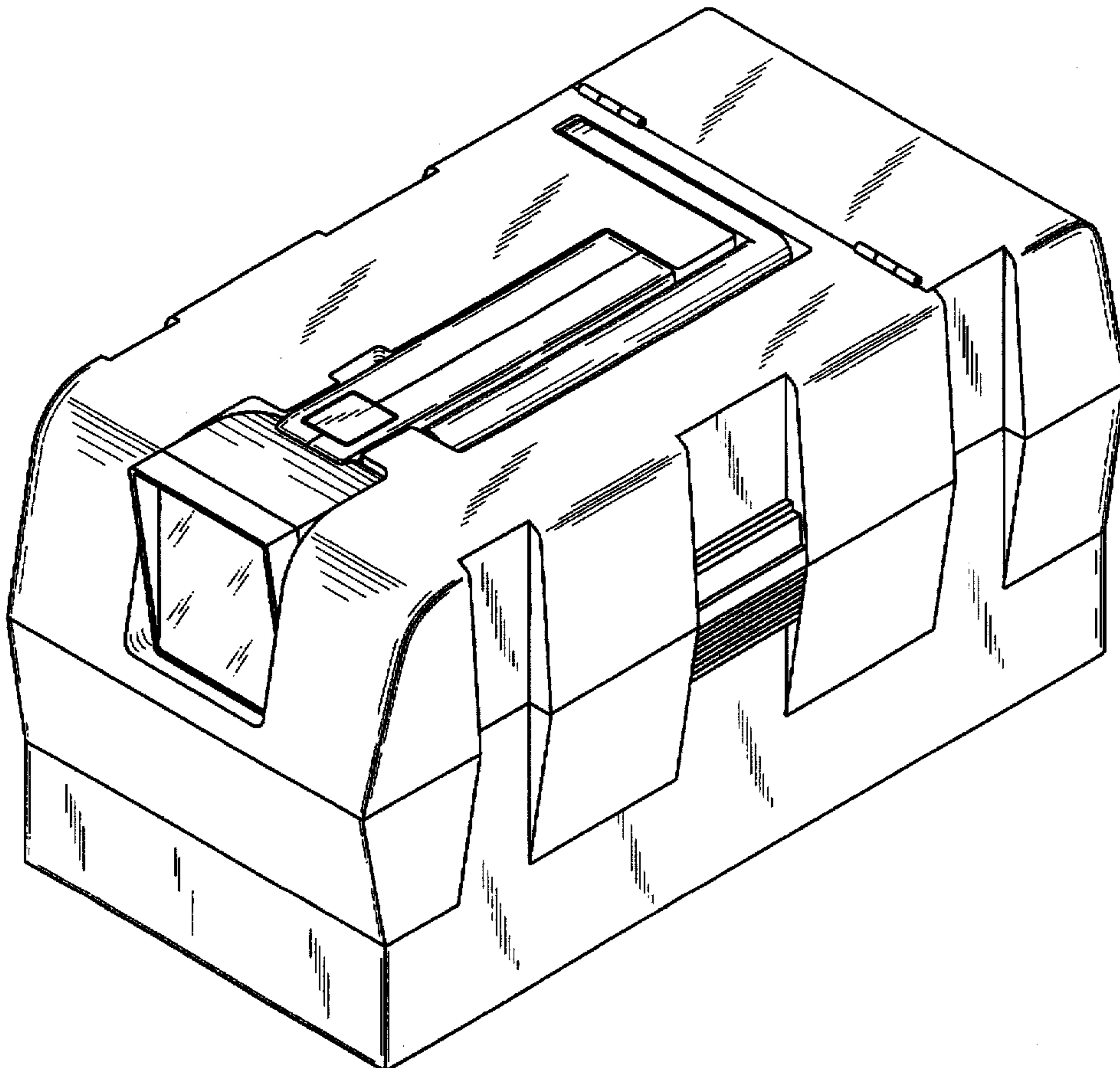
FIG. 1 is a front perspective view of the storage box having a new design;
FIG. 2 is a front elevational view of the storage box;
FIG. 3 is a rear elevational view of the storage box;
FIG. 4 is a left elevational view of the storage box;
FIG. 5 is a right elevational view of the storage box;
FIG. 6 is a top plan view of the storage box; and,
FIG. 7 is a bottom plan view of the storage box.

[56] References Cited

U.S. PATENT DOCUMENTS

D. 314,666	2/1991	Lanius	D3/281
D. 321,433	11/1991	Dickinson	D3/905
D. 328,819	8/1992	Hanna et al.	D3/281
D. 330,329	10/1992	Brightbill	D3/302
D. 339,228	9/1993	Moos et al.	D3/905
D. 361,659	8/1995	Kahl et al.	D3/905
1,231,146	6/1917	Ferry .	
1,309,541	7/1919	O'Neel	362/154

1 Claim, 3 Drawing Sheets



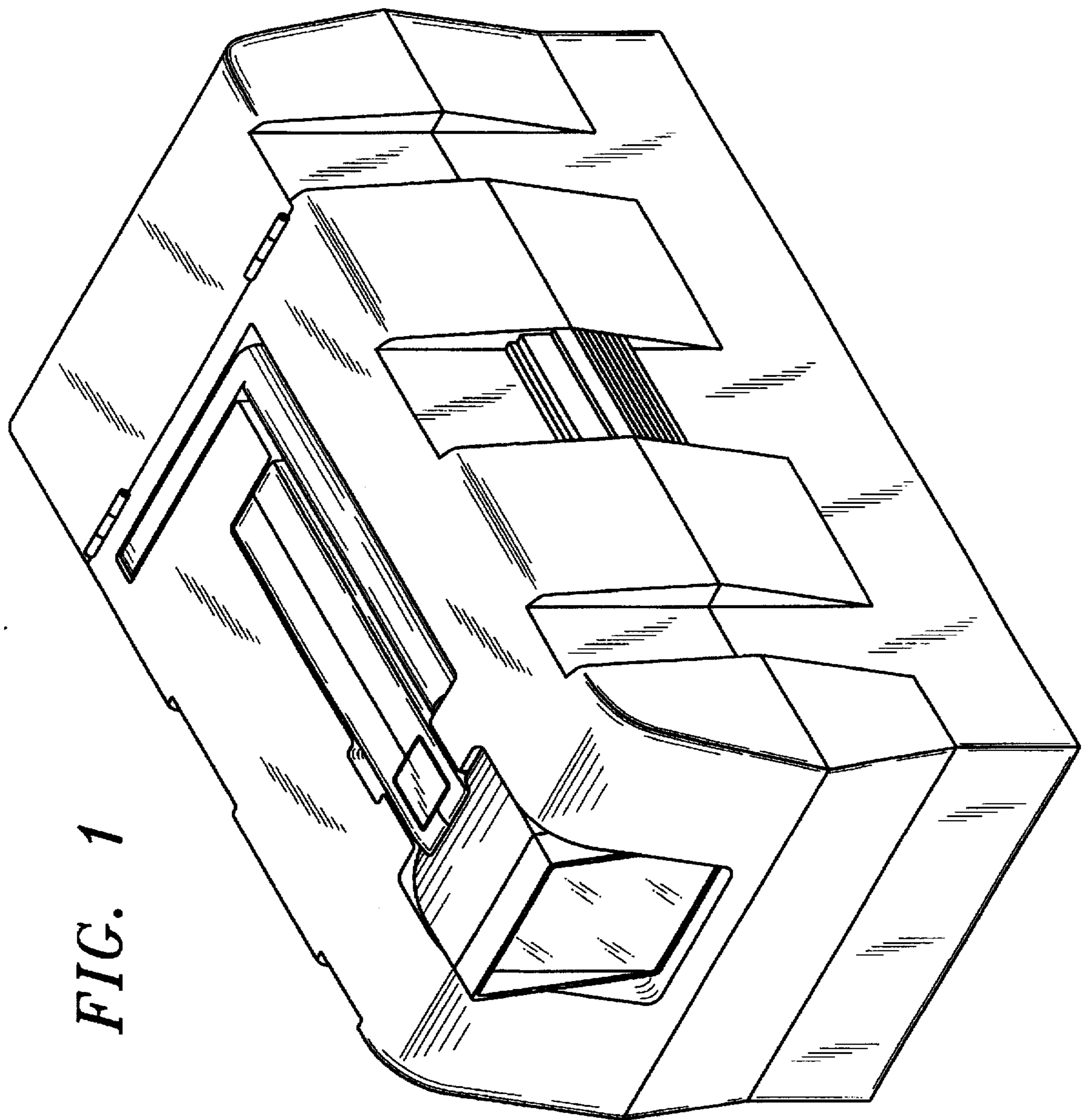


FIG. 1

FIG. 6

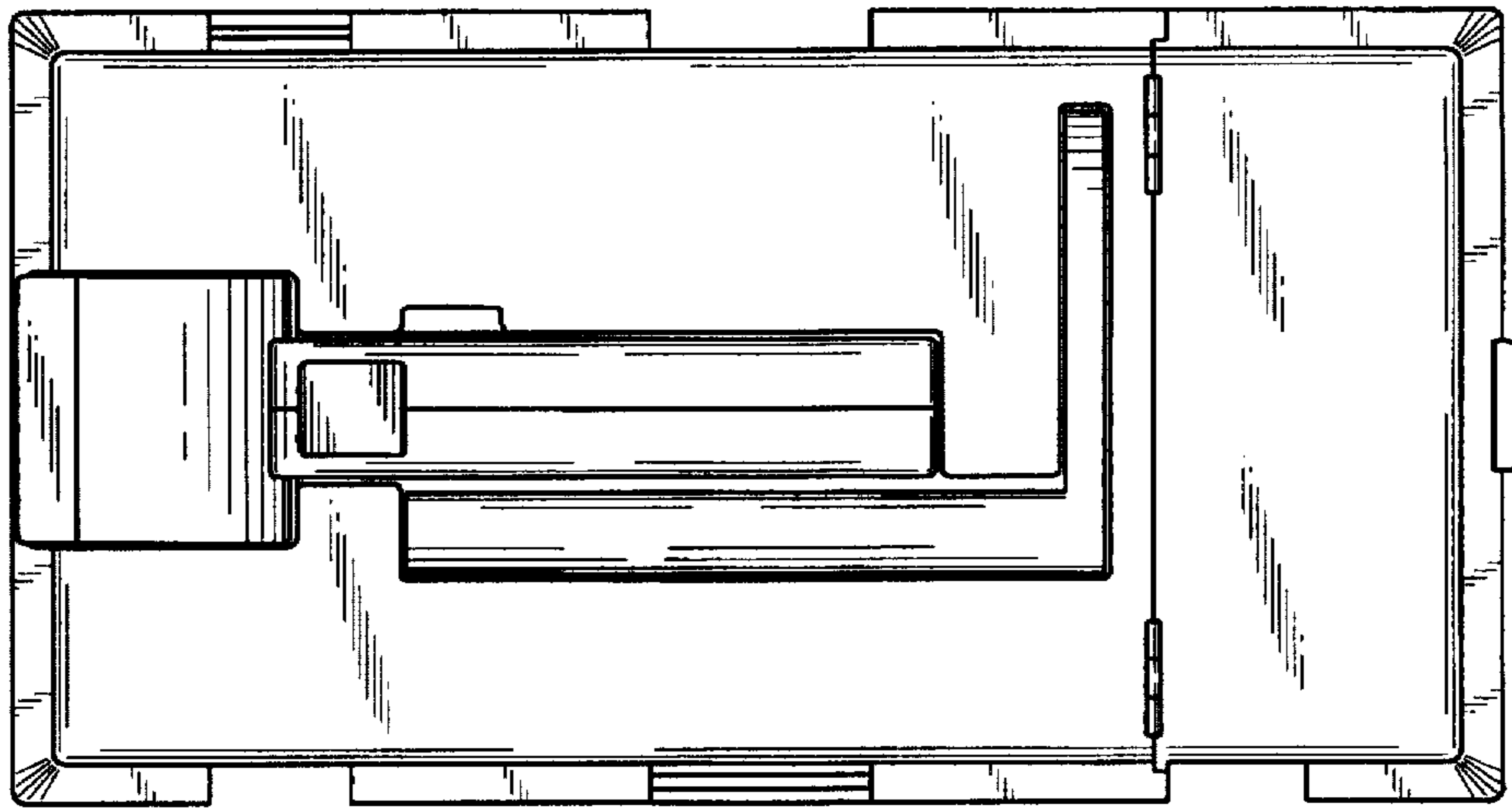


FIG. 2

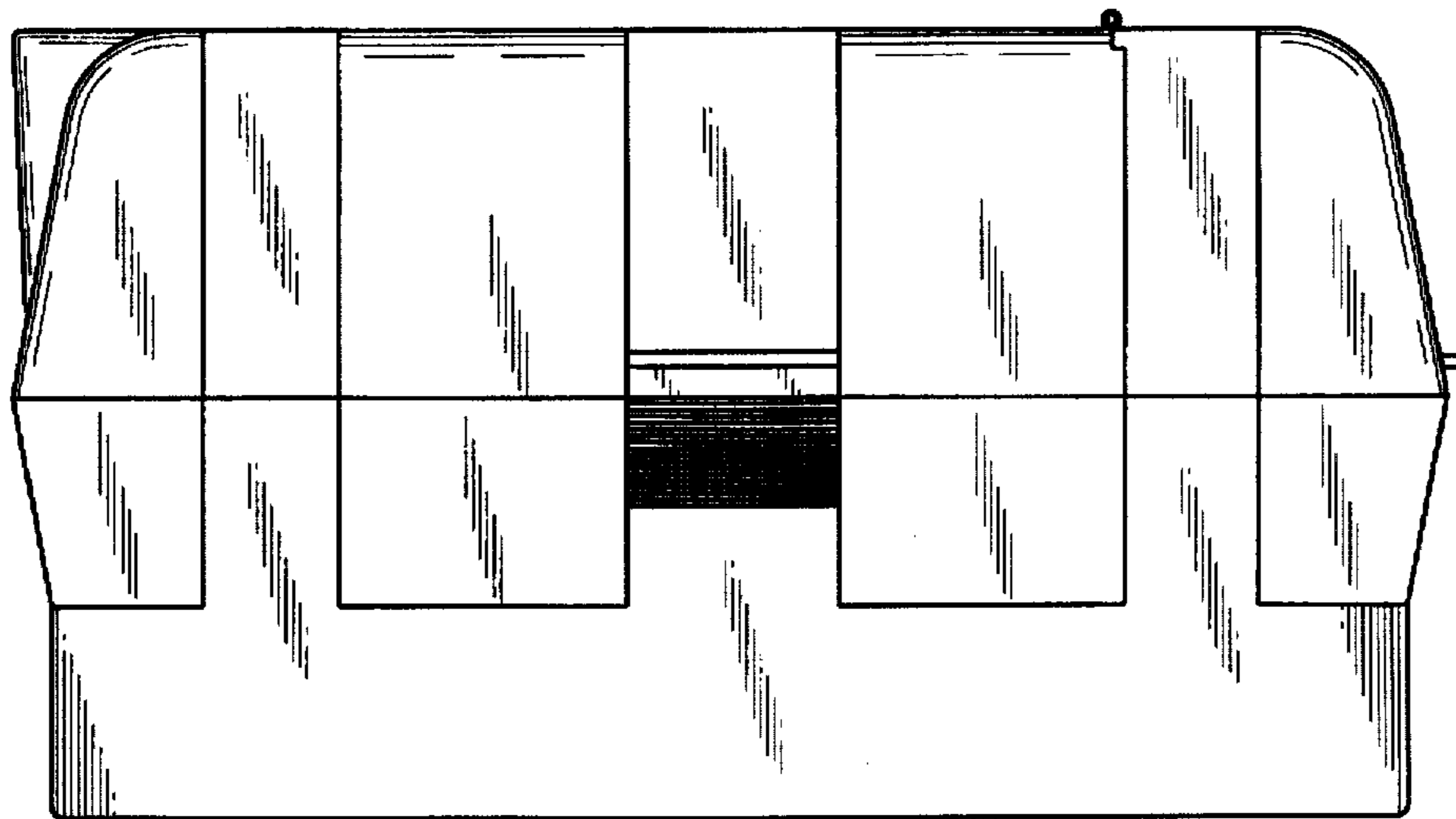


FIG. 7

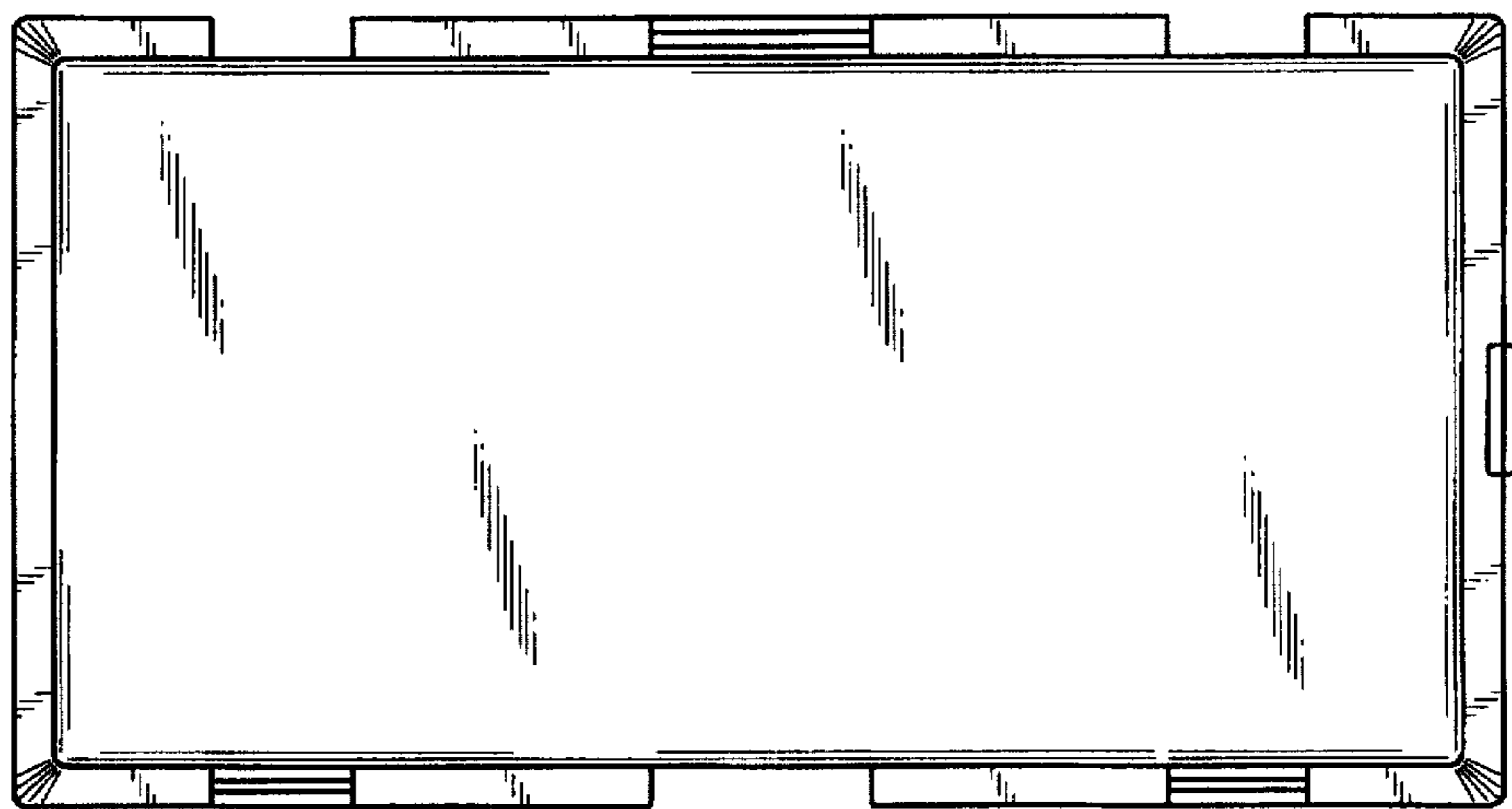


FIG. 3

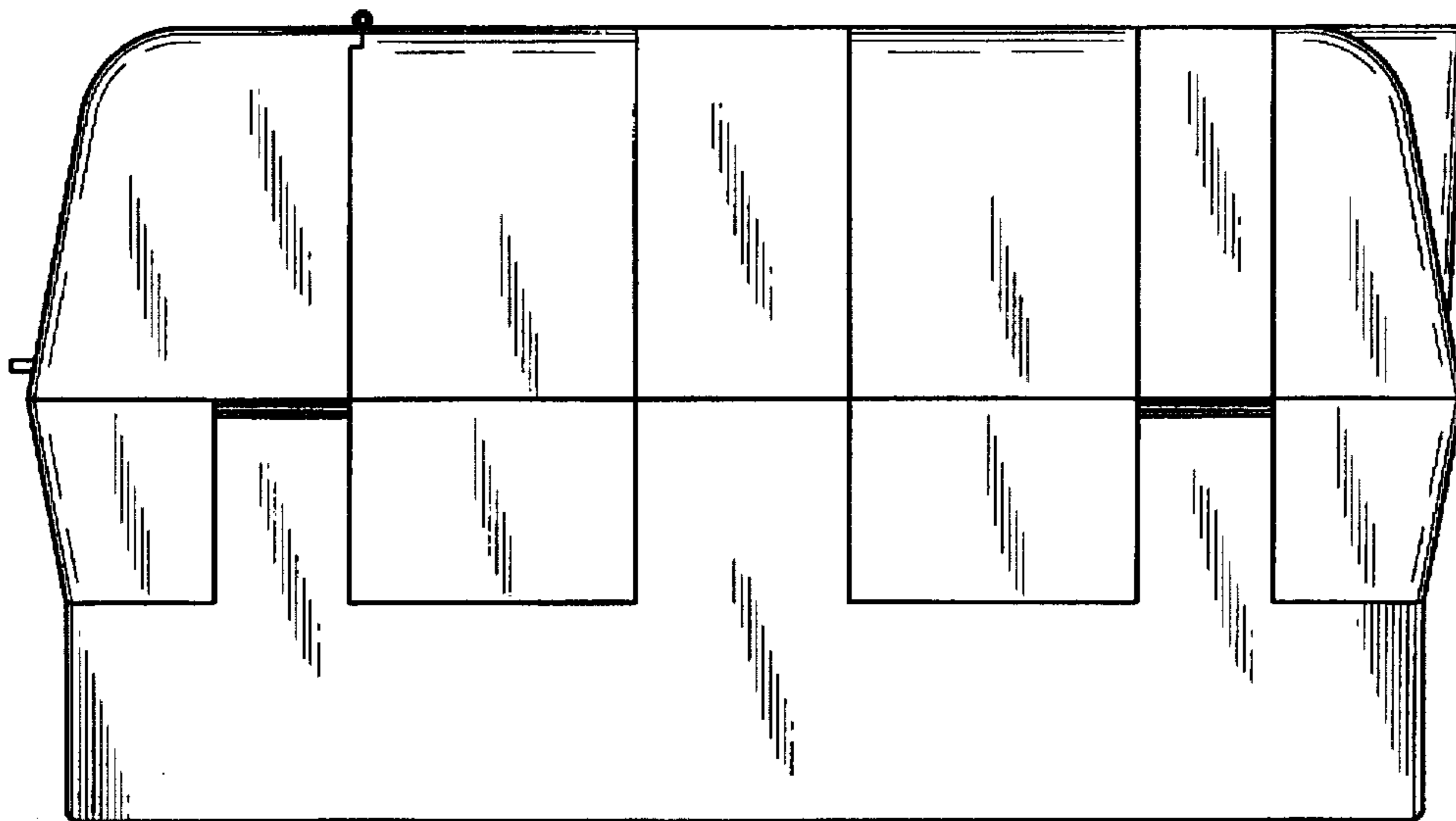


FIG. 4

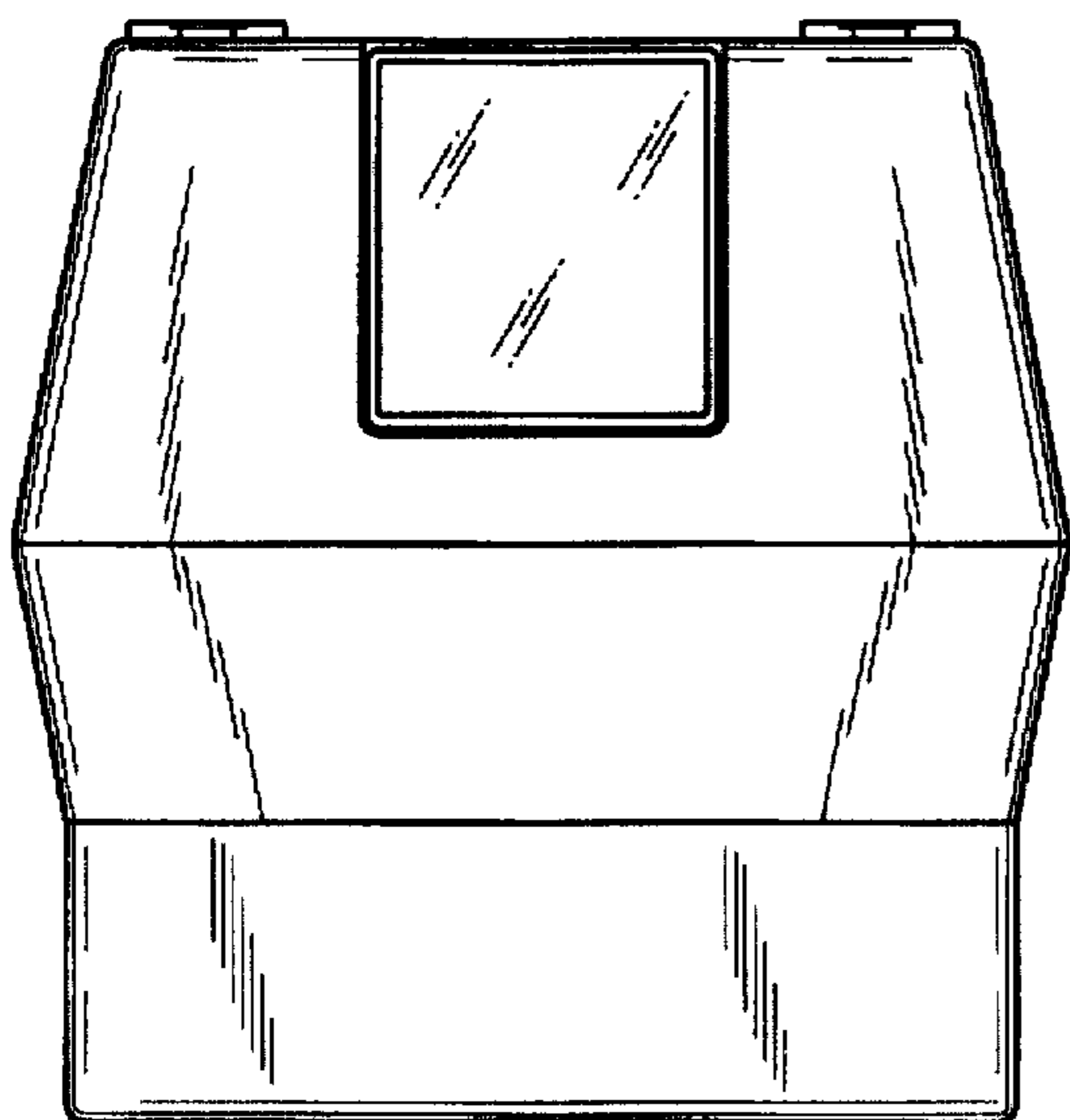


FIG. 5

