

US00D384201S

United States Patent [19]

[11] Patent Number: **Des. 384,201**

Petto

[45] Date of Patent: ****Sep. 30, 1997**

[54] PURSE

[76] Inventor: **Ng Pak To Petto**, 3/F Flat 3, Belle House, 31 Whitefield Road, North Point, Hong Kong

[**] Term: **14 Years**

[21] Appl. No.: **54,762**

[22] Filed: **May 21, 1996**

[51] LOC (6) CL **03-01**

[52] U.S. Cl. **D3/238; D3/234**

[58] Field of Search **D3/201, 231, 234-238, D3/239, 240, 243, 244, 246; D9/307, 336; D10/109; D26/31; 116/63 T, 63 C, 63 P; 206/257; 190/100, 102, 108, 109, 115; 383/2, 38; D20/13**

D. 242,501	11/1976	Bruckner	D20/13
D. 370,777	6/1996	Dahlke	D3/234
2,031,218	2/1936	Klotz	190/115
2,299,673	10/1942	Zolkind	190/102 X
3,830,348	8/1974	Ohyama	190/108 X

Primary Examiner—Louis S. Zarfes
Assistant Examiner—Monica A. Weingart
Attorney, Agent, or Firm—Charles W. McHugh

[57] CLAIM

The ornamental design for a "Purse," as shown and described.

DESCRIPTION

FIG. 1 is a front elevational view of a "Purse," showing my new design, with both the front and rear elevational views being identical, and the broken-line showing of letters and numerals being merely exemplary of some superficial ornamentation;

FIG. 2 is a top plan view thereof;

FIG. 3 is a bottom plan view thereof;

FIG. 4 is a right side elevational view thereof; and,

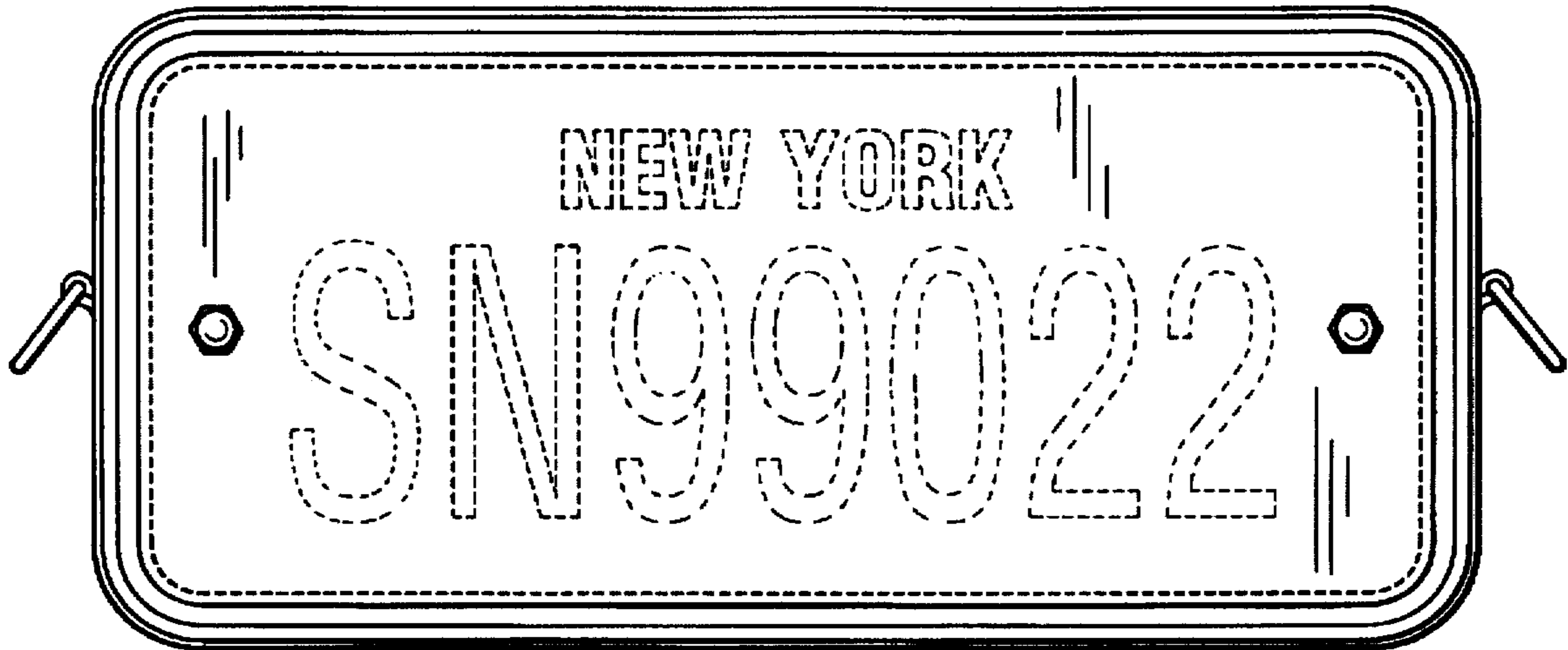
FIG. 5 is a left side elevational view thereof.

1 Claim, 1 Drawing Sheet

[56] References Cited

U.S. PATENT DOCUMENTS

D. 49,297	7/1916	Snow	D26/31
D. 49,473	8/1916	Dooley	D26/31
D. 50,623	4/1917	Kilker et al.	D26/31



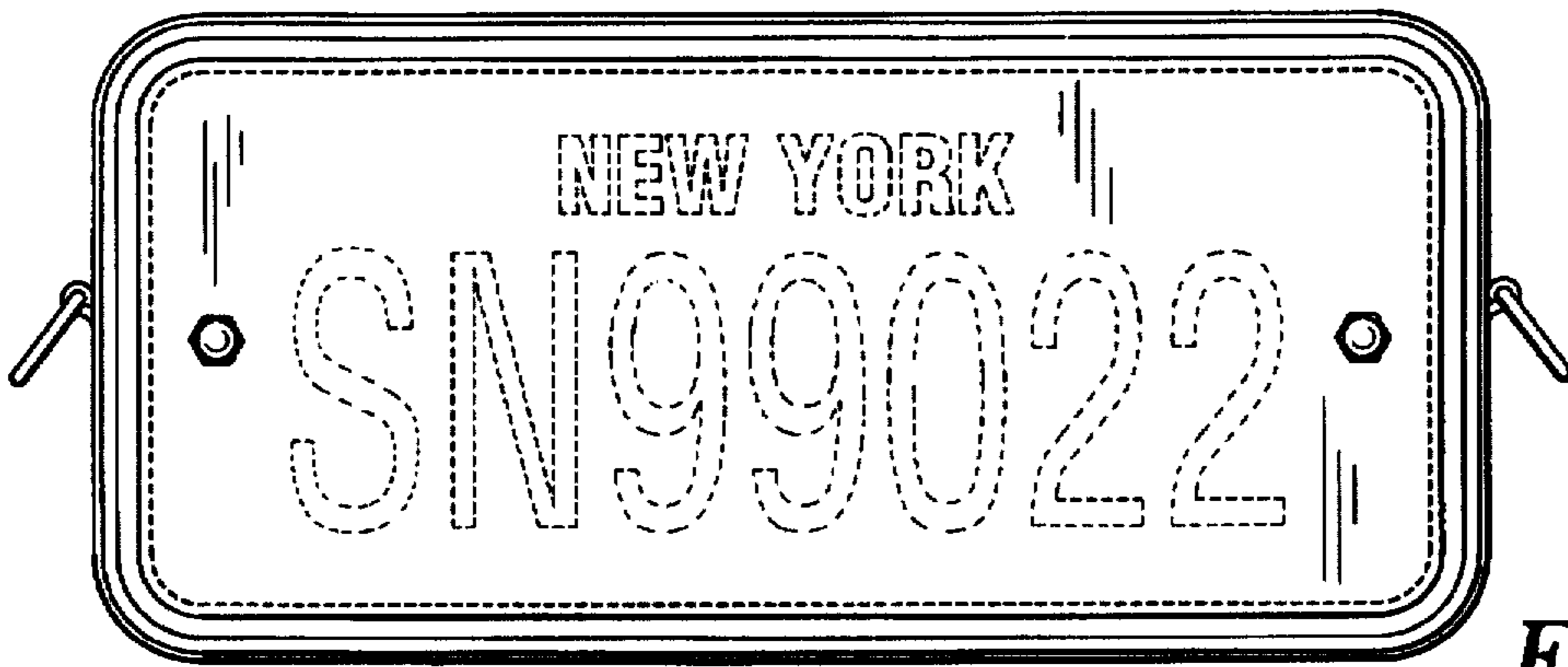


FIG. 1

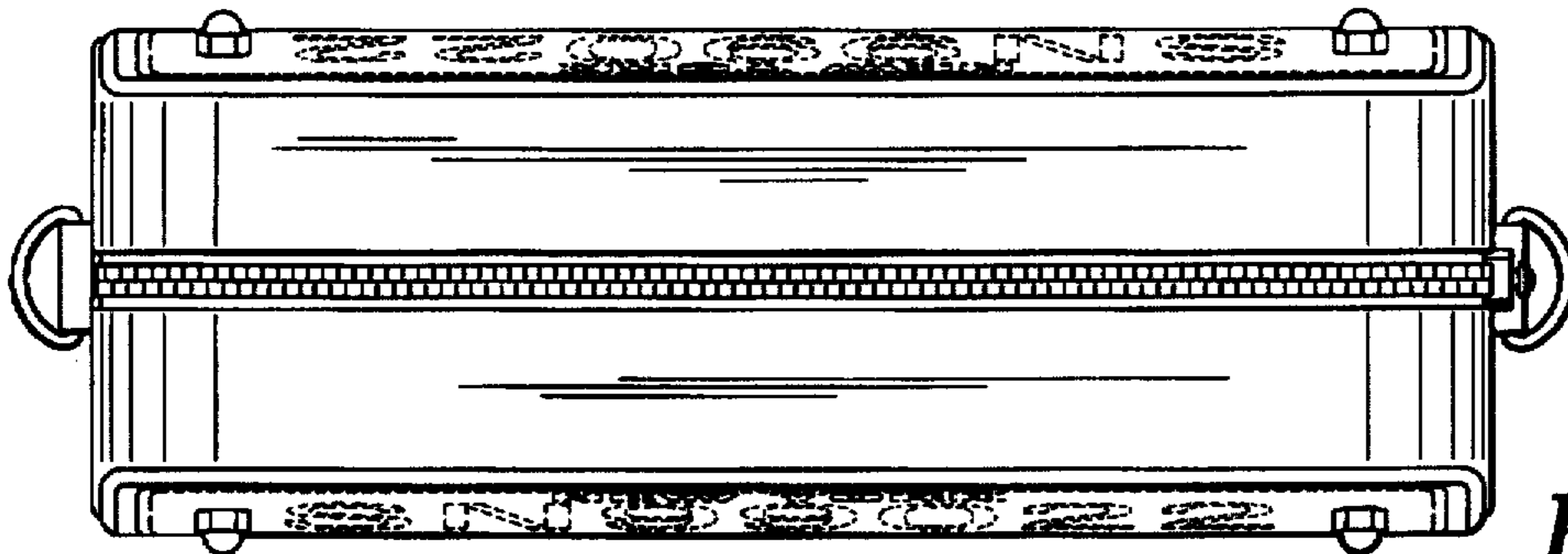


FIG. 2

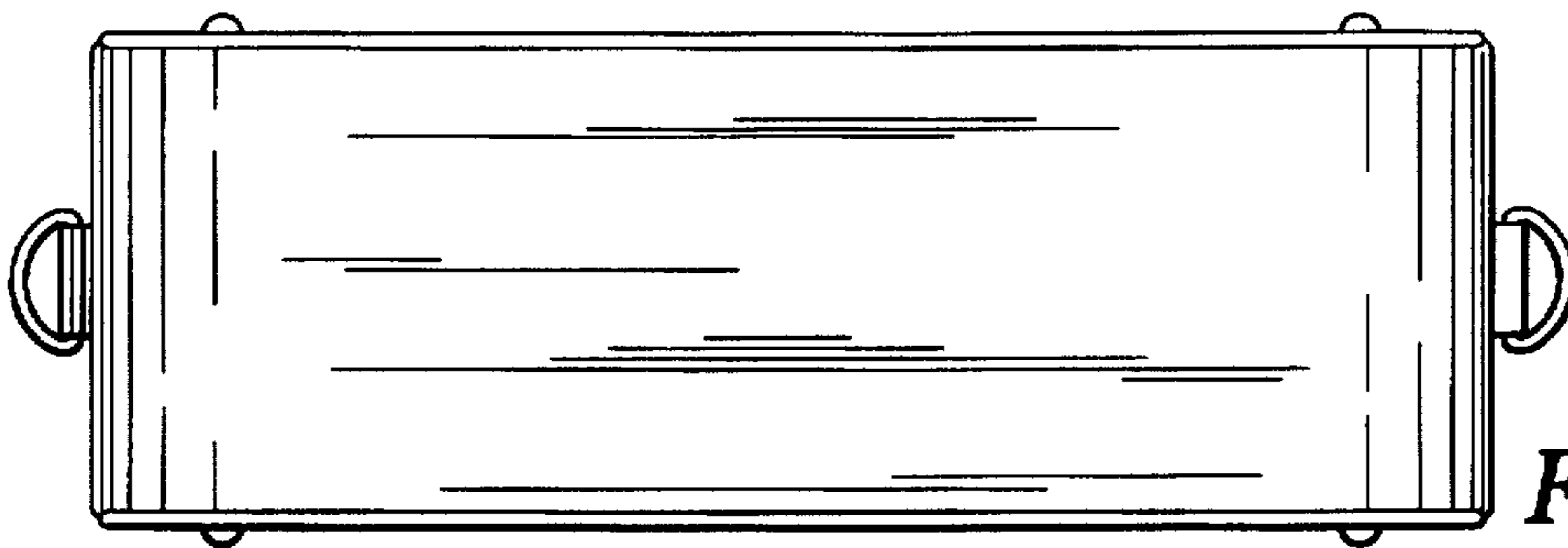


FIG. 3

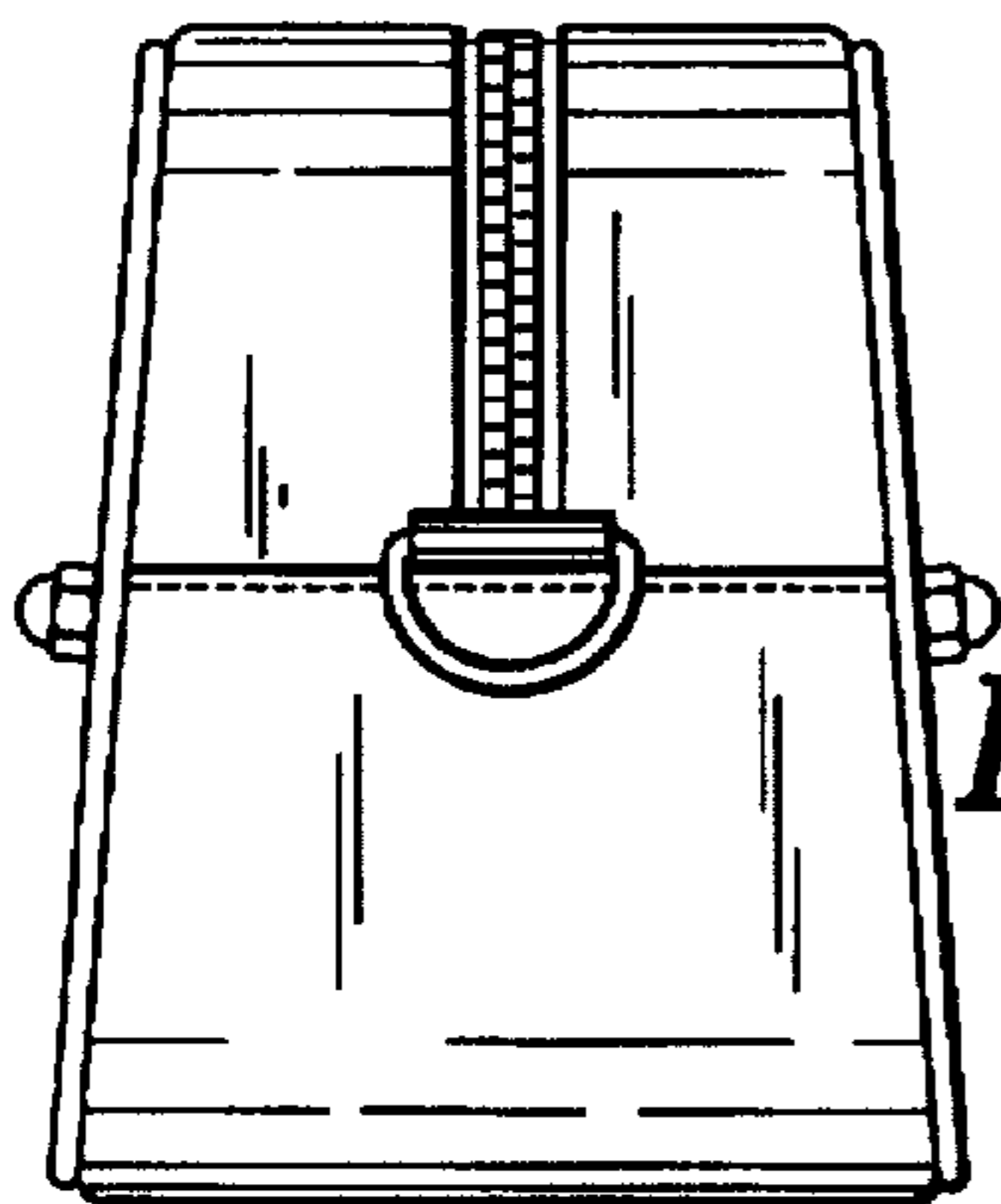


FIG. 4

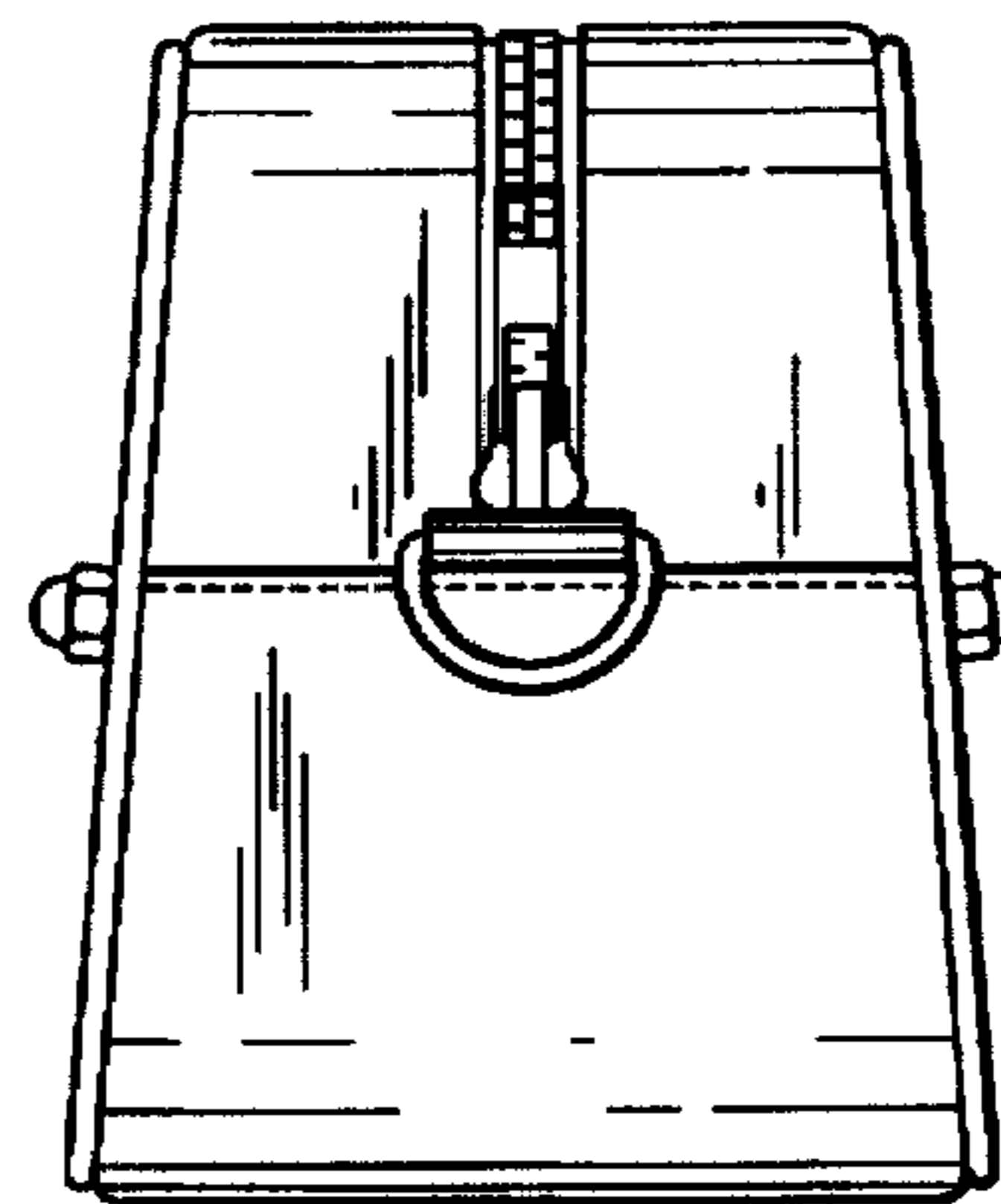


FIG. 5