



US00D384199S

United States Patent [19]

Dixon et al.

[11] Patent Number: **Des. 384,199**

[45] Date of Patent: *****Sep. 30, 1997**

[54] **BACK PACK**

[75] Inventors: **David B. Dixon; Maria Do Carmo Nazareth**, both of New York, N.Y.

[73] Assignee: **Mildex Pack, Inc.**, New York, N.Y.

[*] Notice: The portion of the term of this patent subsequent to Nov. 26, 2010, has been disclaimed.

[**] Term: **14 Years**

[21] Appl. No.: **30,937**

[22] Filed: **Nov. 14, 1994**

[51] LOC (6) Cl. **03-01**

[52] U.S. Cl. **D3/217; D3/270**

[58] Field of Search **D3/214, 215, 216, D3/217; 224/153**

[56] **References Cited**

U.S. PATENT DOCUMENTS

D. 260,697 9/1981 Fitzgerald et al. D3/217

| | | | | |
|------------|--------|----------|-------|--------|
| D. 343,515 | 1/1994 | Monneret | | D3/270 |
| D. 348,151 | 6/1994 | Acheson | | D3/217 |
| D. 350,228 | 9/1994 | Poire | | D3/217 |
| D. 358,023 | 5/1995 | Poire | | D3/217 |
| D. 360,072 | 7/1995 | Poire | | D3/217 |

Primary Examiner—Celia Murphy
Attorney, Agent, or Firm—James J. Romano, Jr.

[57] **CLAIM**

The ornamental design for a back pack, as shown and described.

DESCRIPTION

FIG. 1 is a front, right side perspective view of a back pack showing our new design;

FIG. 2 is a top plan view thereof;

FIG. 3 is a left side elevational view thereof;

FIG. 4 is a rear elevational view thereof; and,

FIG. 5 is a bottom plan view thereof.

The broken lines shown in FIGS. 1, 2, and 3 are understood to represent conventional stitching.

1 Claim, 3 Drawing Sheets

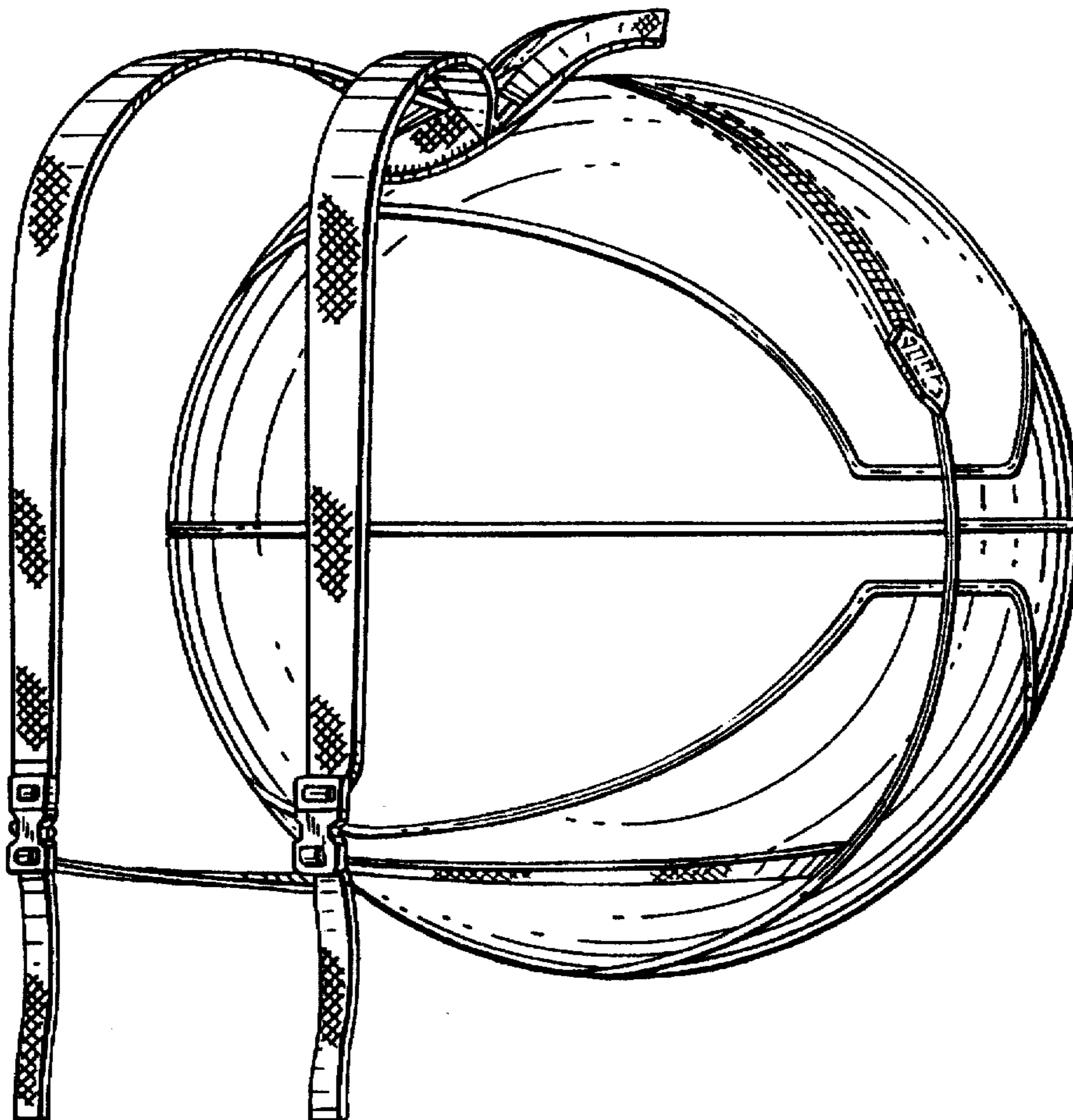
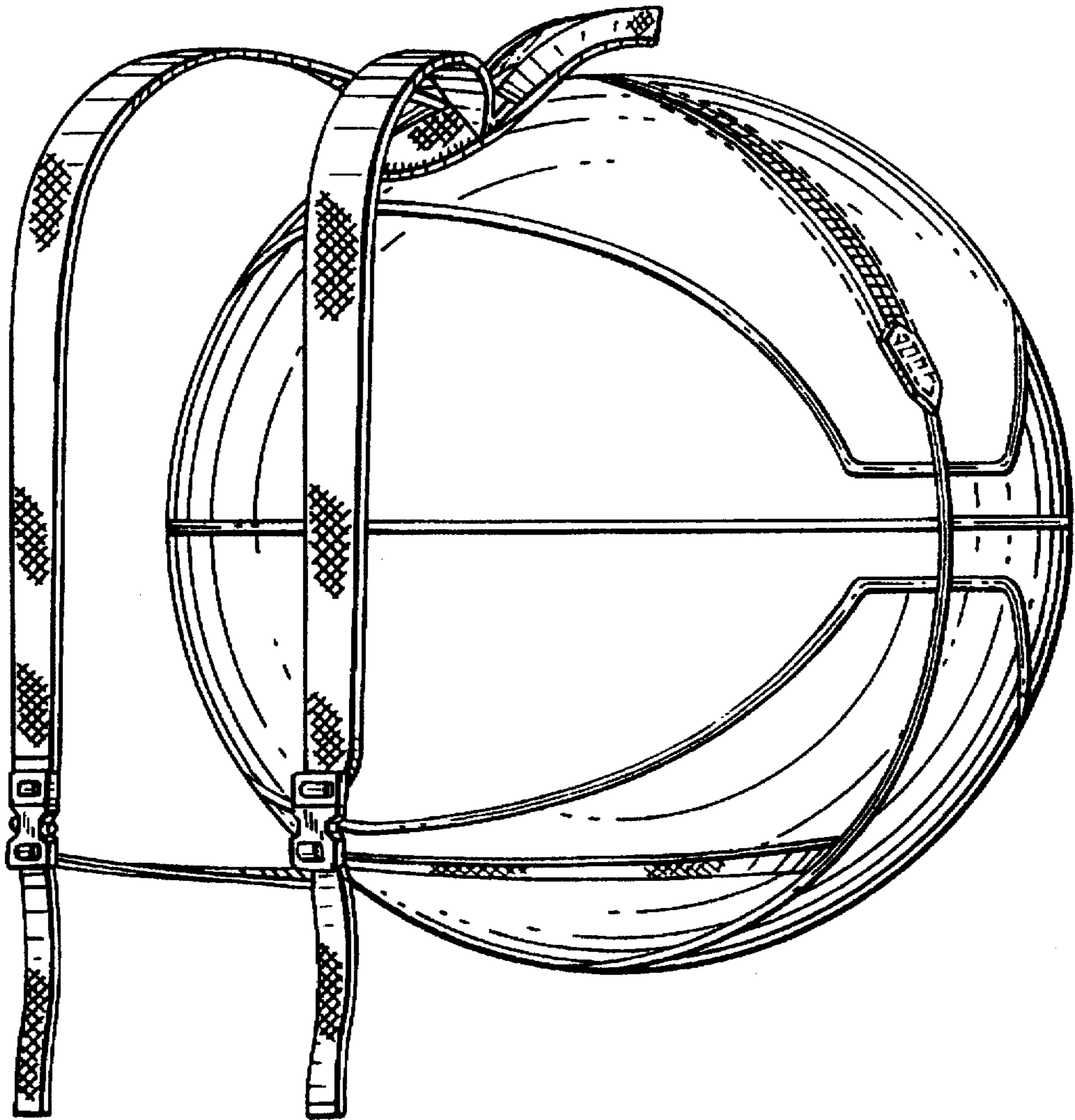


FIG. 1



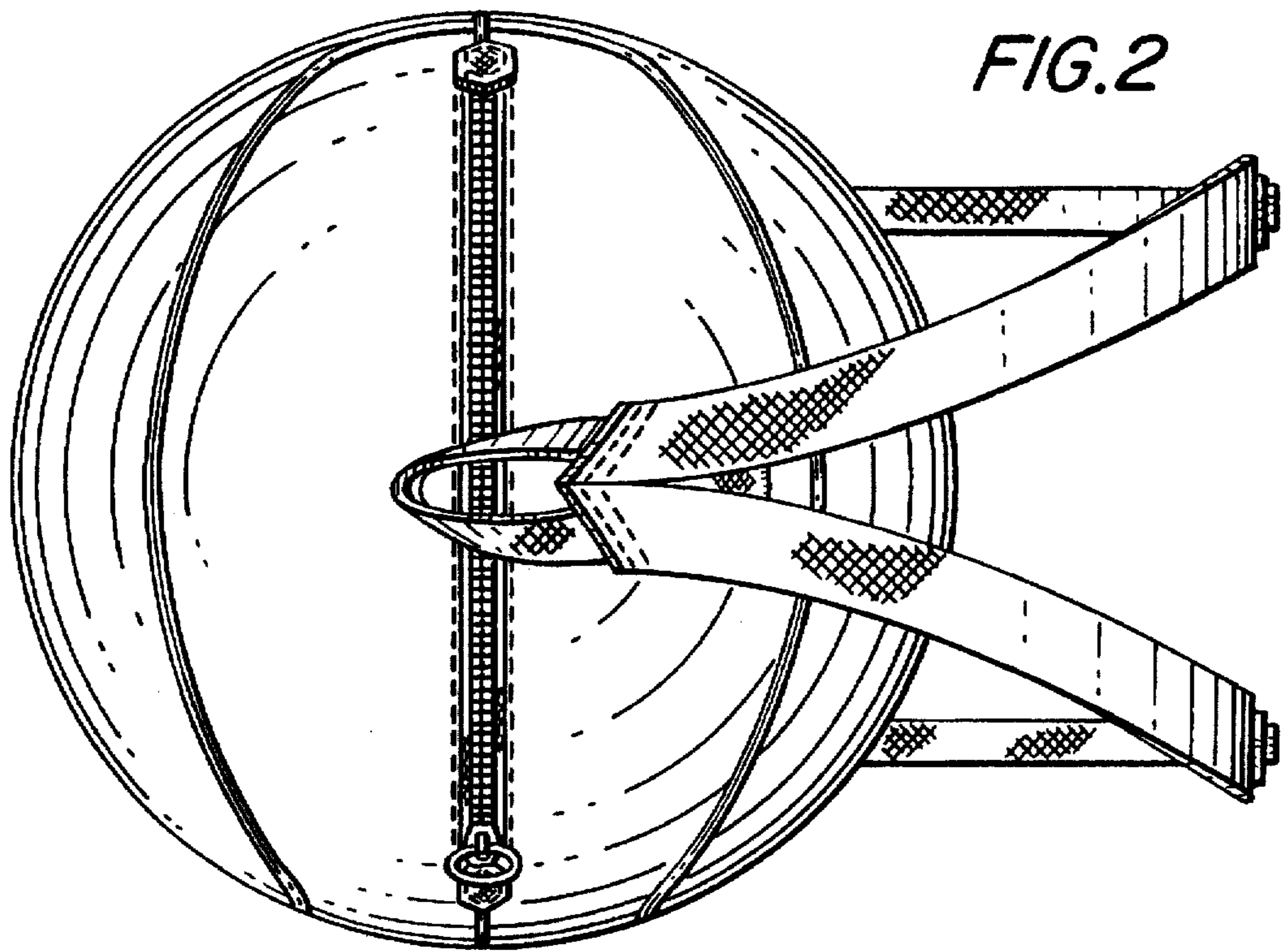


FIG. 2

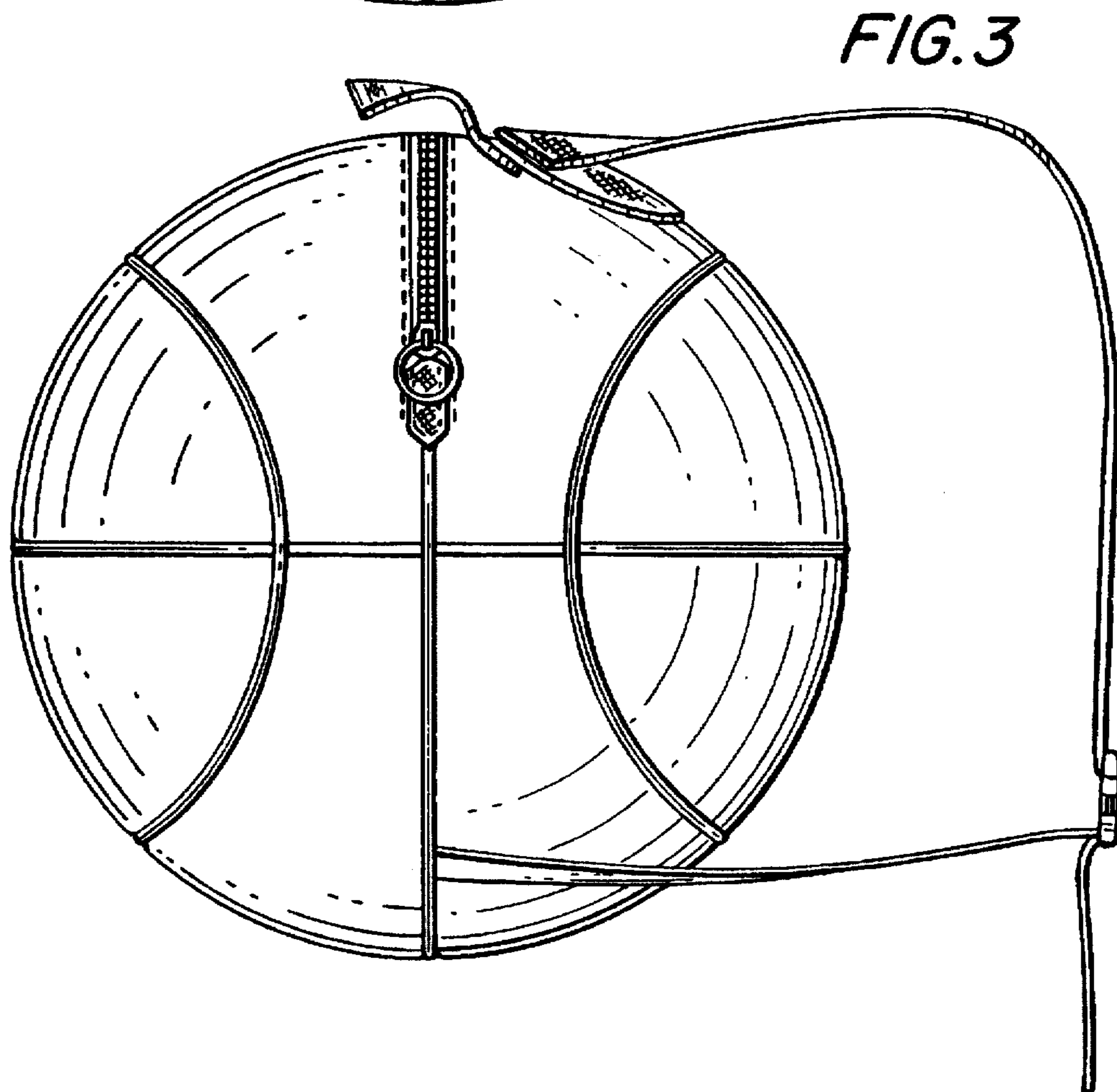


FIG. 3

FIG. 4

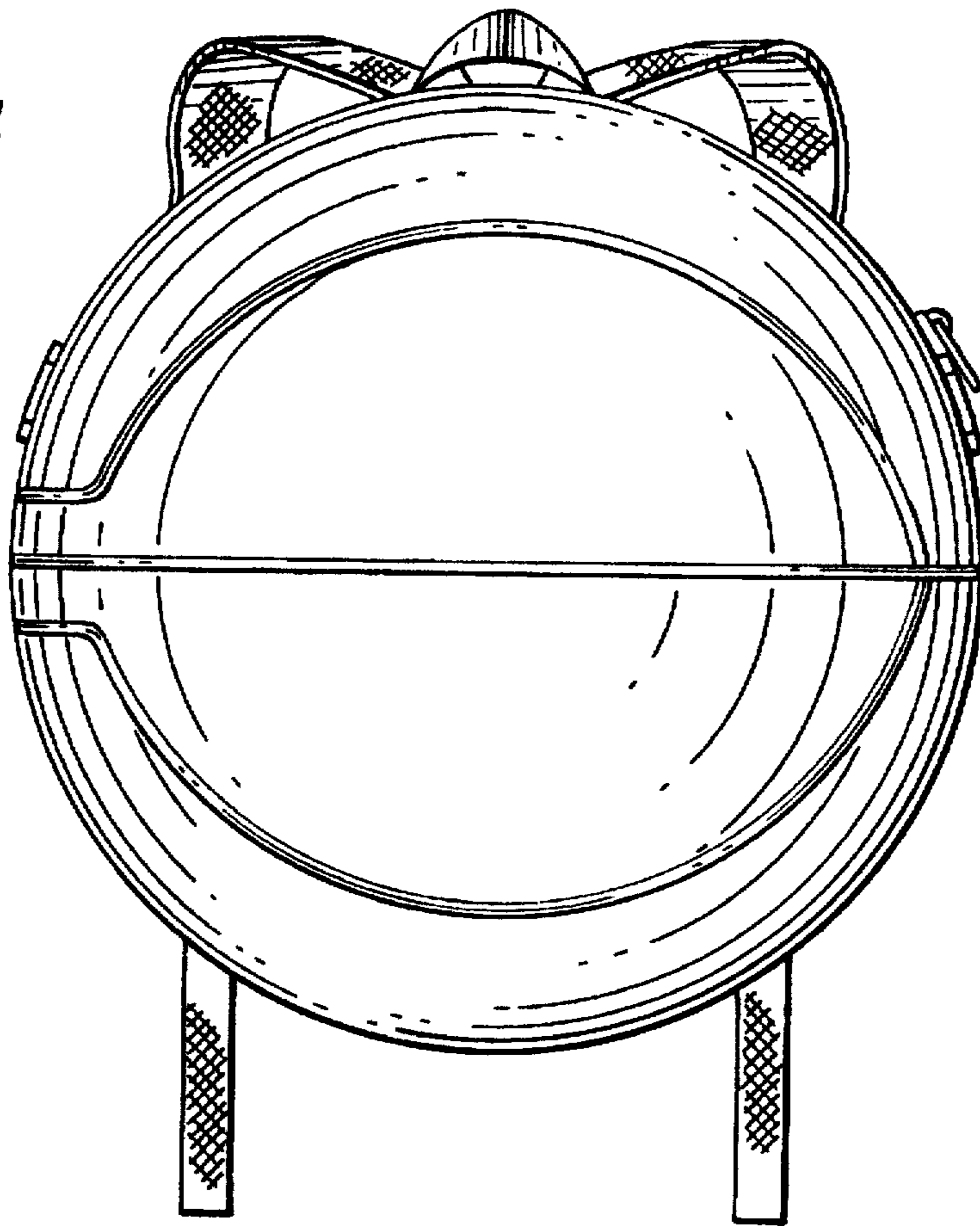


FIG. 5

