



US00D384198S

United States Patent [19]
Fortune

[11] **Patent Number:** **Des. 384,198**
[45] **Date of Patent:** ****Sep. 30, 1997**

[54] **SEPARABLE KEY HOLDER**

[76] **Inventor:** **William S. Fortune**, 29866 Cuthbert Rd., Malibu, Calif. 90265

[**] **Term:** **14 Years**

[21] **Appl. No.:** **54,204**

[22] **Filed:** **May 8, 1996**

[51] **LOC (6) Cl.** **03-01**

[52] **U.S. Cl.** **D3/207**

[58] **Field of Search** **D3/207-212; 70/456 R, 70/457-459; 63/1.1, 2, 3**

[56] **References Cited**

U.S. PATENT DOCUMENTS

- D. 250,007 10/1978 Kleiner D11/79
- D. 308,759 6/1990 Lui D3/209

D. 314,056 1/1991 Law D3/209
2,805,566 10/1957 Martinuzzi 70/456 R

Primary Examiner—Ralf Seifert
Attorney, Agent, or Firm—Daniel T. Anderson

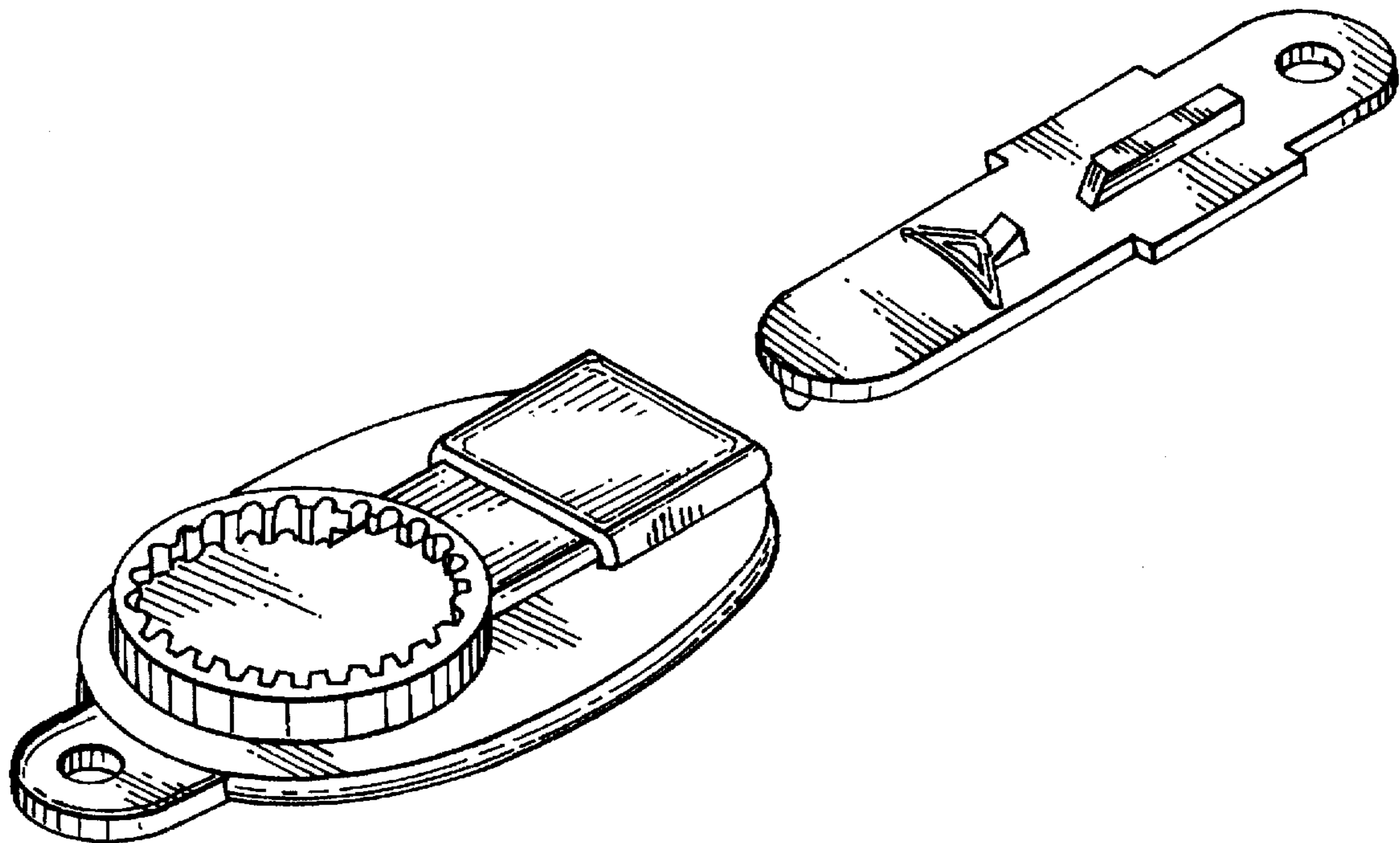
[57] **CLAIM**

The ornamental design for separable key holder, as shown.

DESCRIPTION

FIG. 1 is a perspective view of a separable key holder, in its separated configuration, showing my new design;
FIG. 2 is a bottom view thereof in its nonseparated configuration;
FIG. 3 is a plan view thereof;
FIG. 4 is a left end elevational view thereof;
FIG. 5 is a right end elevational view thereof; and,
FIG. 6 is a left side elevational view thereof, its right side being the mirror image thereof.

1 Claim, 1 Drawing Sheet



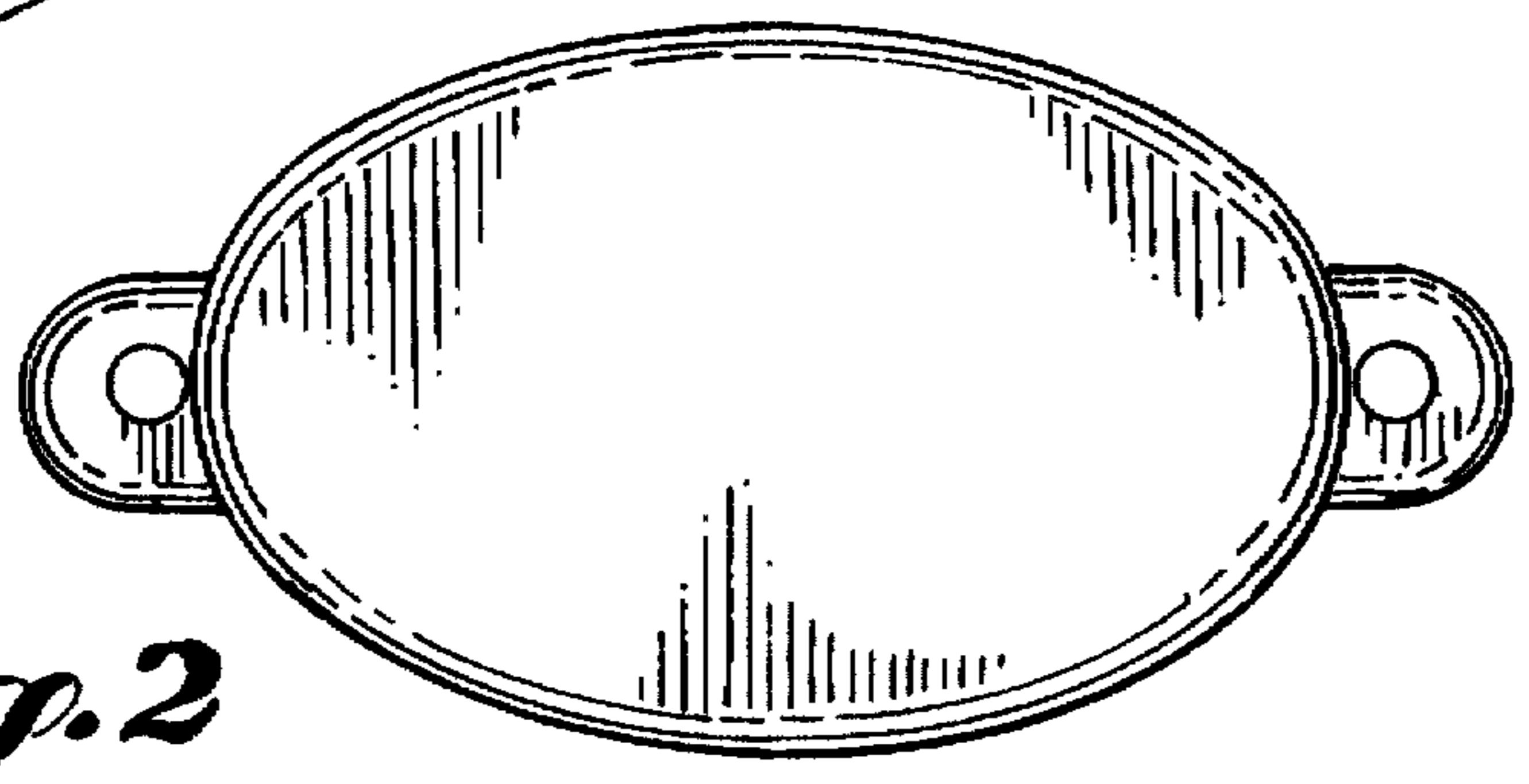
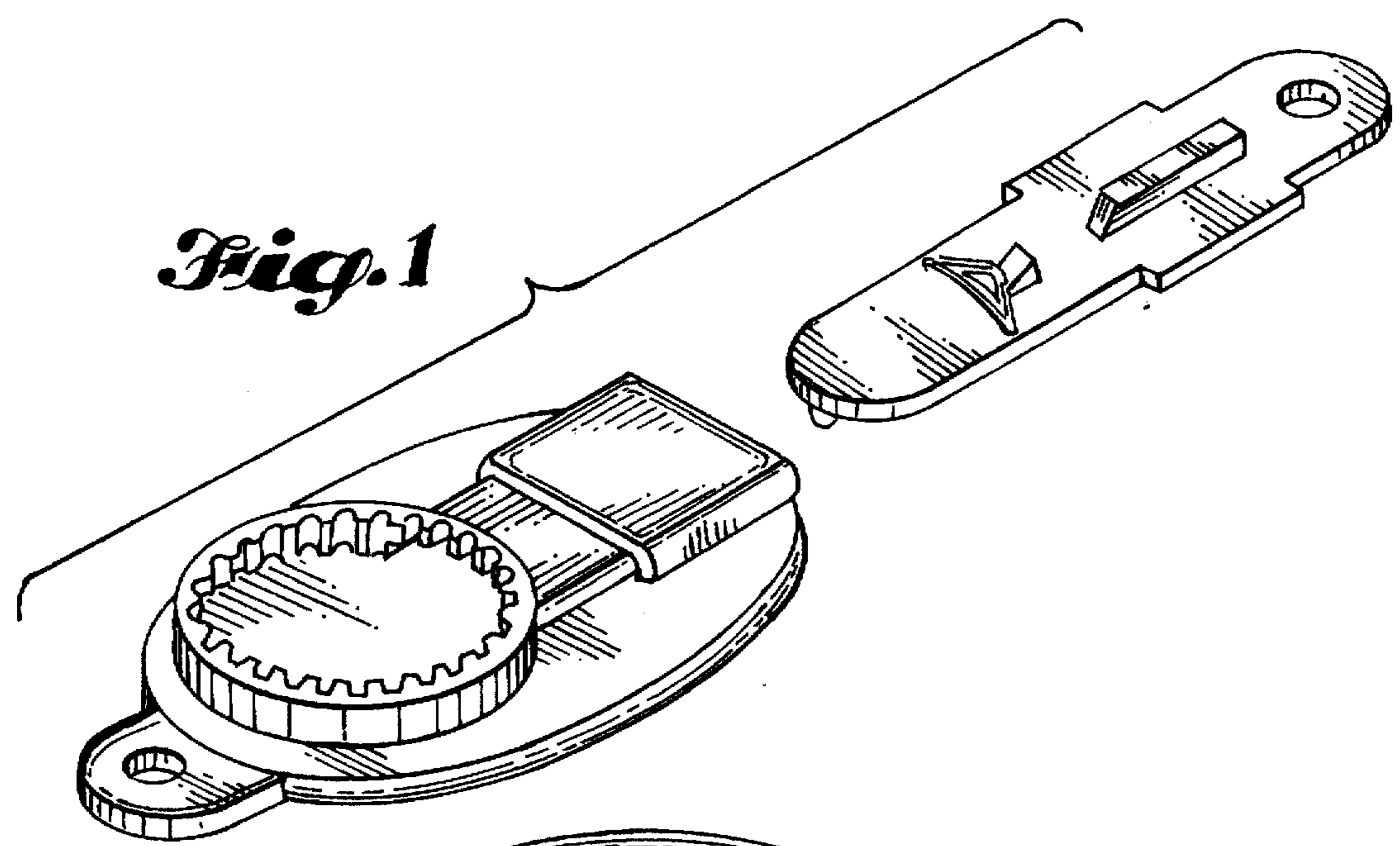


Fig. 3

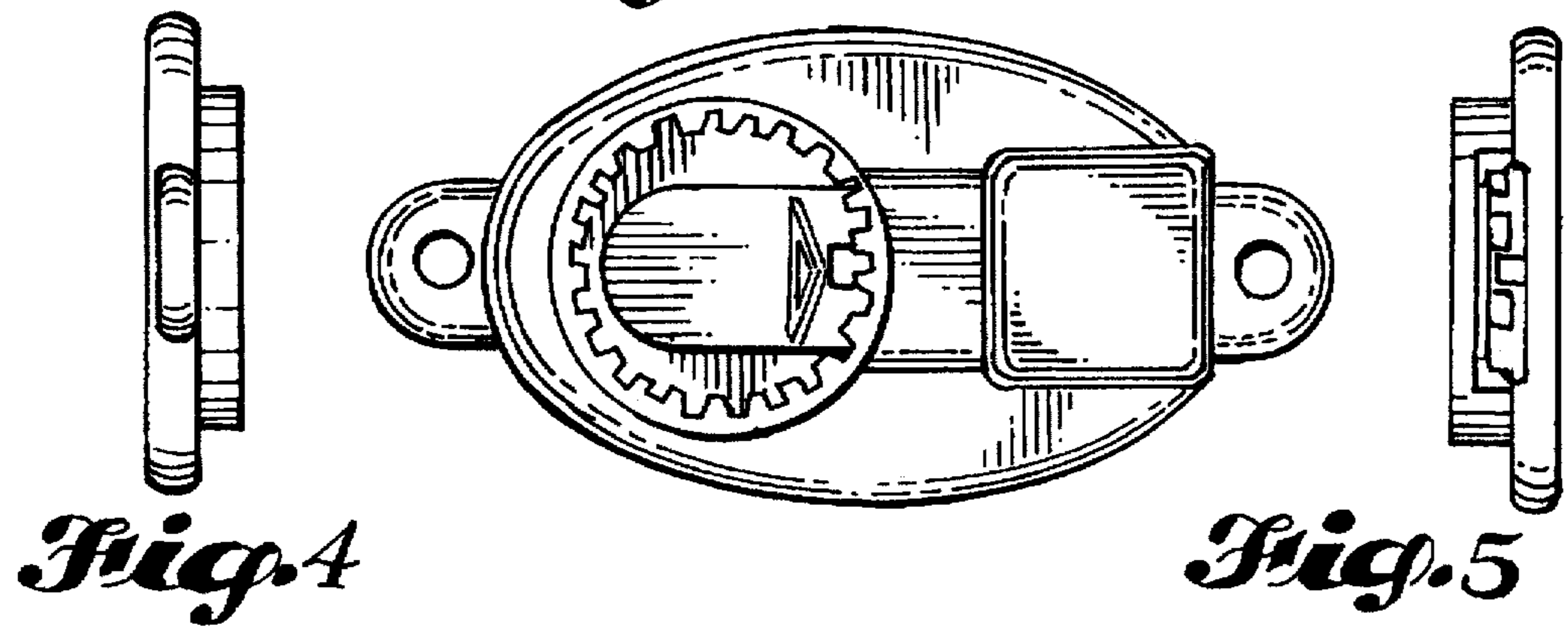


Fig. 6

