

US00D384185S

United States Patent [19]
Oertwig

[11] **Patent Number:** **Des. 384,185**
[45] **Date of Patent:** ****Sep. 30, 1997**

[54] **STORAGE BOX FOR VEHICLES**

[76] **Inventor:** Daniel F. Oertwig, Rte. 4, Box 282,
Kearney, Nebr. 68847

[**] **Term:** 14 Years

[21] **Appl. No.:** 49,559

[22] **Filed:** Jan. 29, 1996

[51] **LOC (6) Cl.** 12-16

[52] **U.S. Cl.** D12/423

[58] **Field of Search** D12/423, 98, 221;
D21/141; 296/183, 24.1, 37.6; 224/402,
403

[56] **References Cited**

U.S. PATENT DOCUMENTS

D. 352,697	11/1994	Johnson	D12/406
D. 373,988	9/1996	Johnson	D12/423
3,068,038	12/1962	Douglass, Jr.	224/404
3,326,595	6/1967	Ogilvie	224/404

Primary Examiner—Louis S. Zarfes
Assistant Examiner—Frank Martinez
Attorney, Agent, or Firm—Zarley, McKee, Thomte,
Voorhees & Sease; Mark D. Frederiksen

[57] **CLAIM**

The ornamental design for a storage box for vehicles, as shown and described.

DESCRIPTION

FIG. 1 is a perspective view of the storage box for vehicles showing my new design;

FIG. 2 is an enlarged top plan view thereof;

FIG. 3 is an elevational view taken from the right side of FIG. 5, the left elevational view being a mirror image thereof;

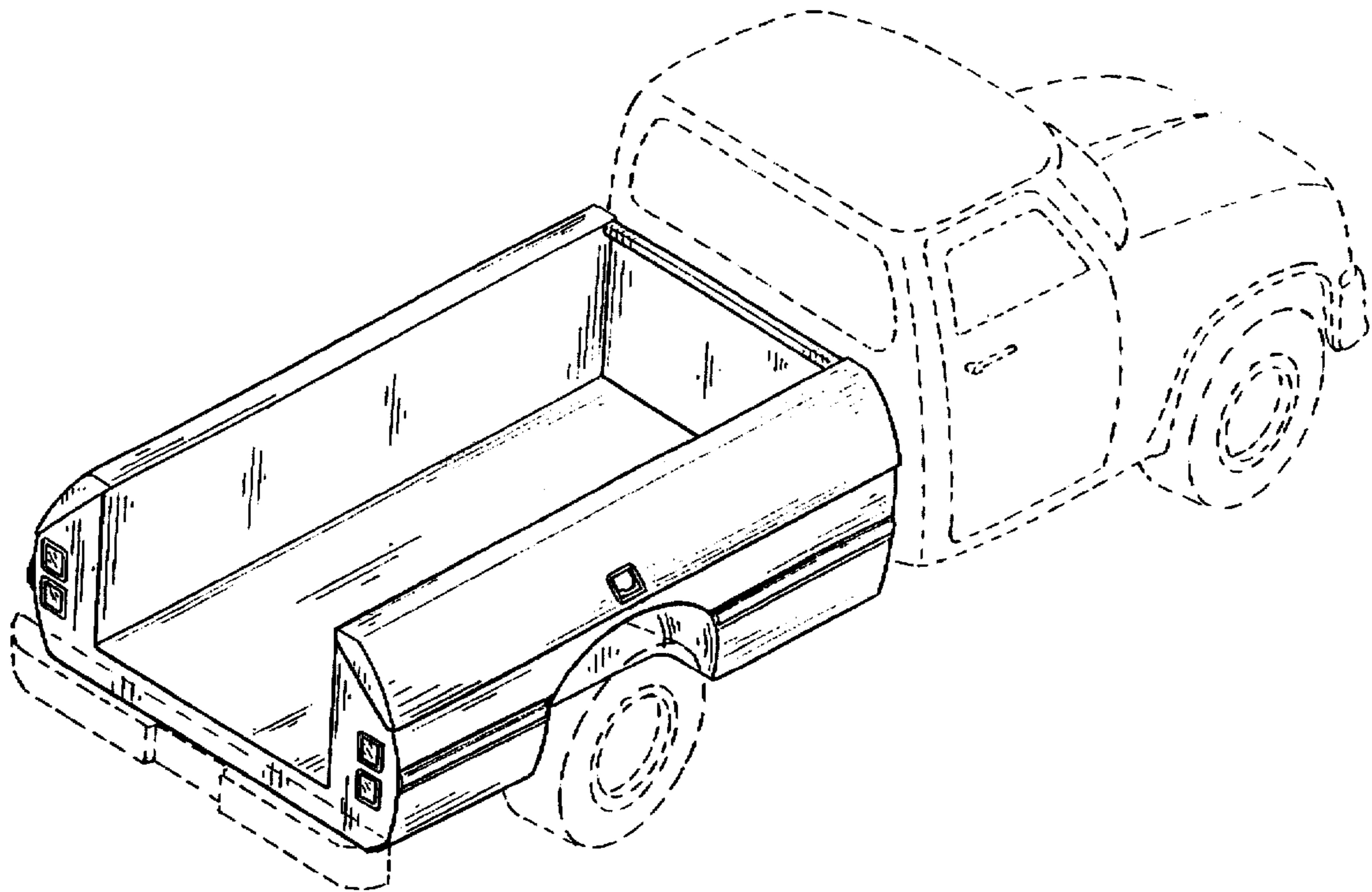
FIG. 4 is a front elevational view thereof;

FIG. 5 is a rear elevational view thereof; and,

FIG. 6 is a bottom plan view thereof.

The broken line shown in FIG. 1 is included for the purpose of illustrating environmental structure only, and forms no part of the claimed design.

1 Claim, 2 Drawing Sheets



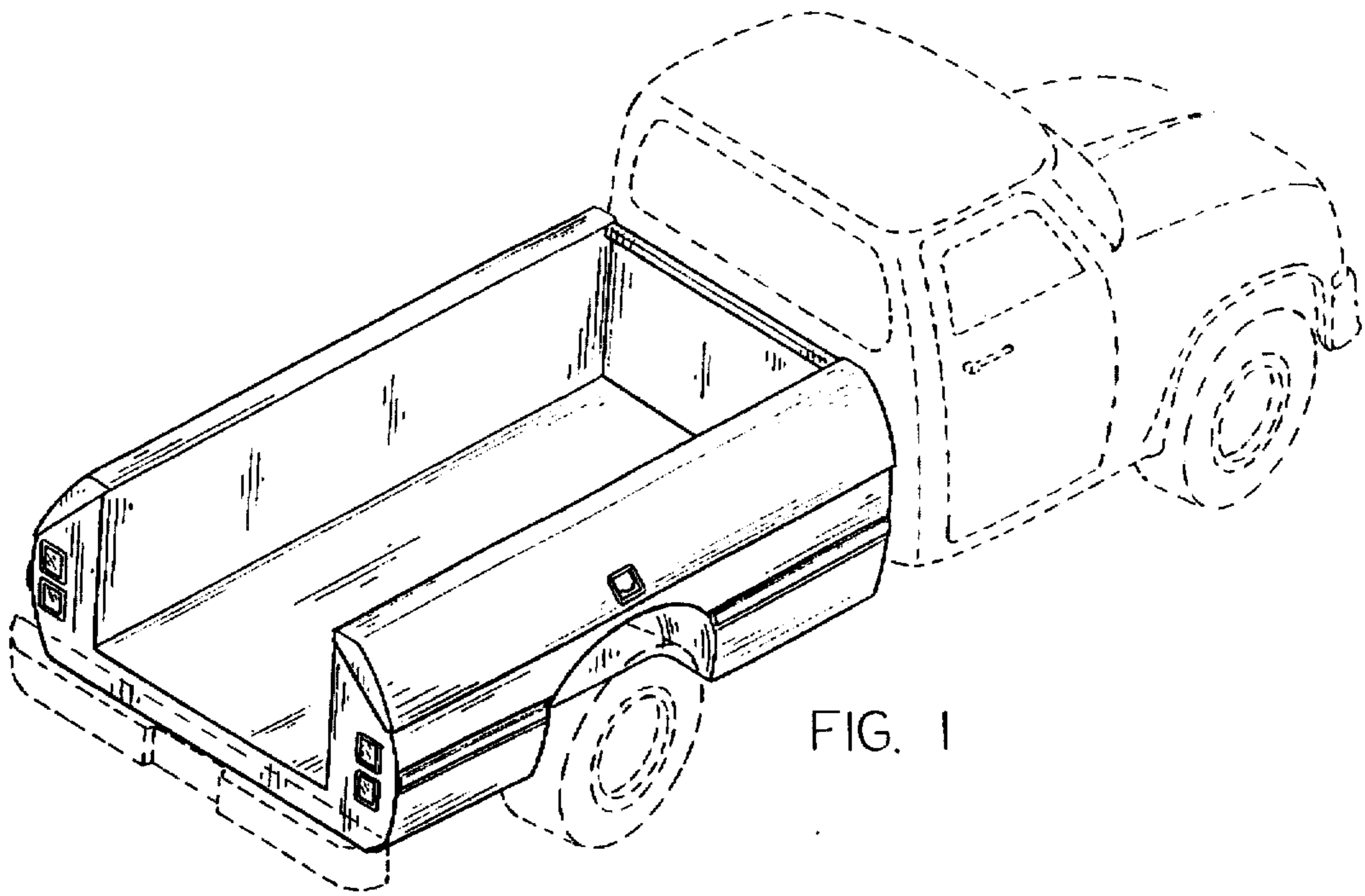


FIG. 1

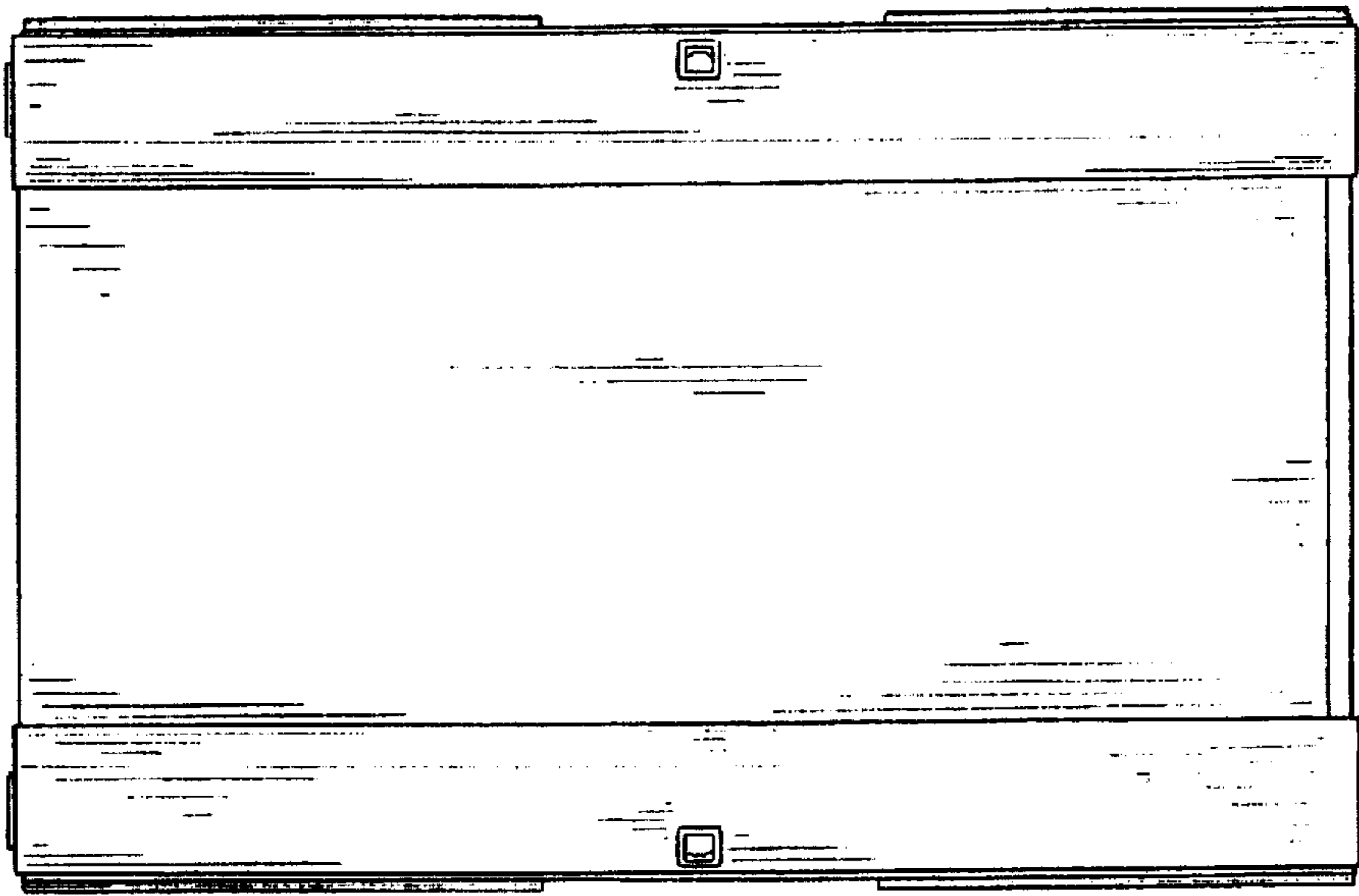


FIG. 2

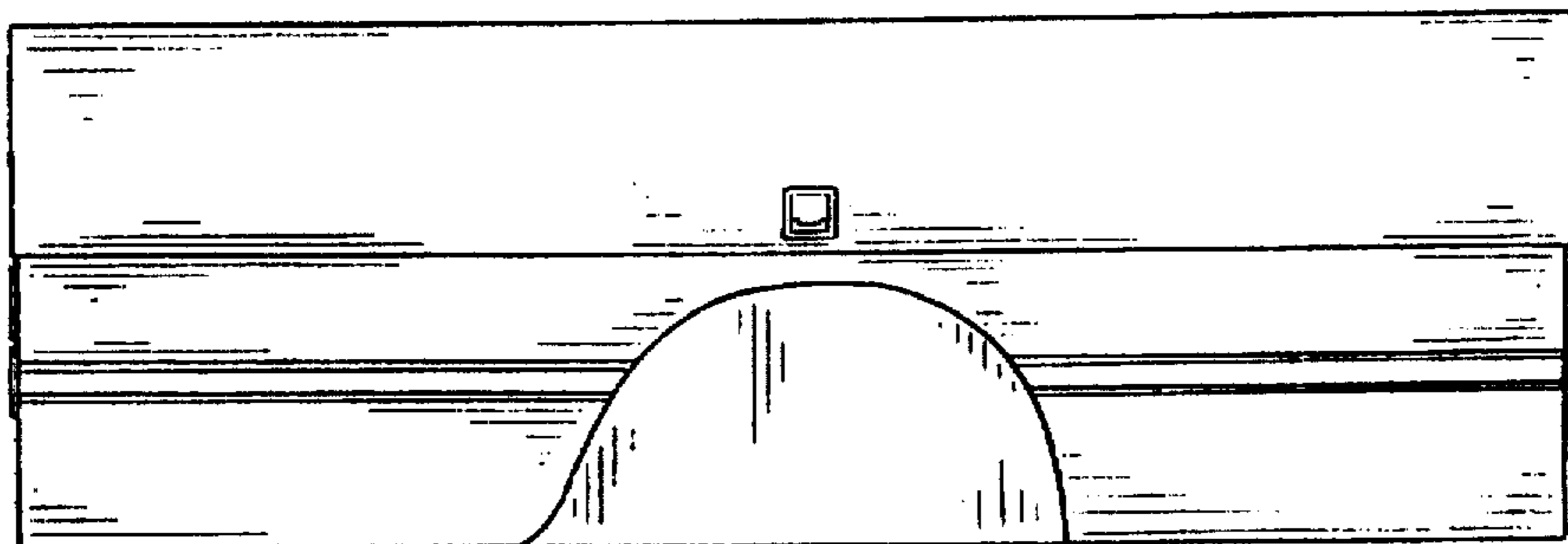


FIG. 3

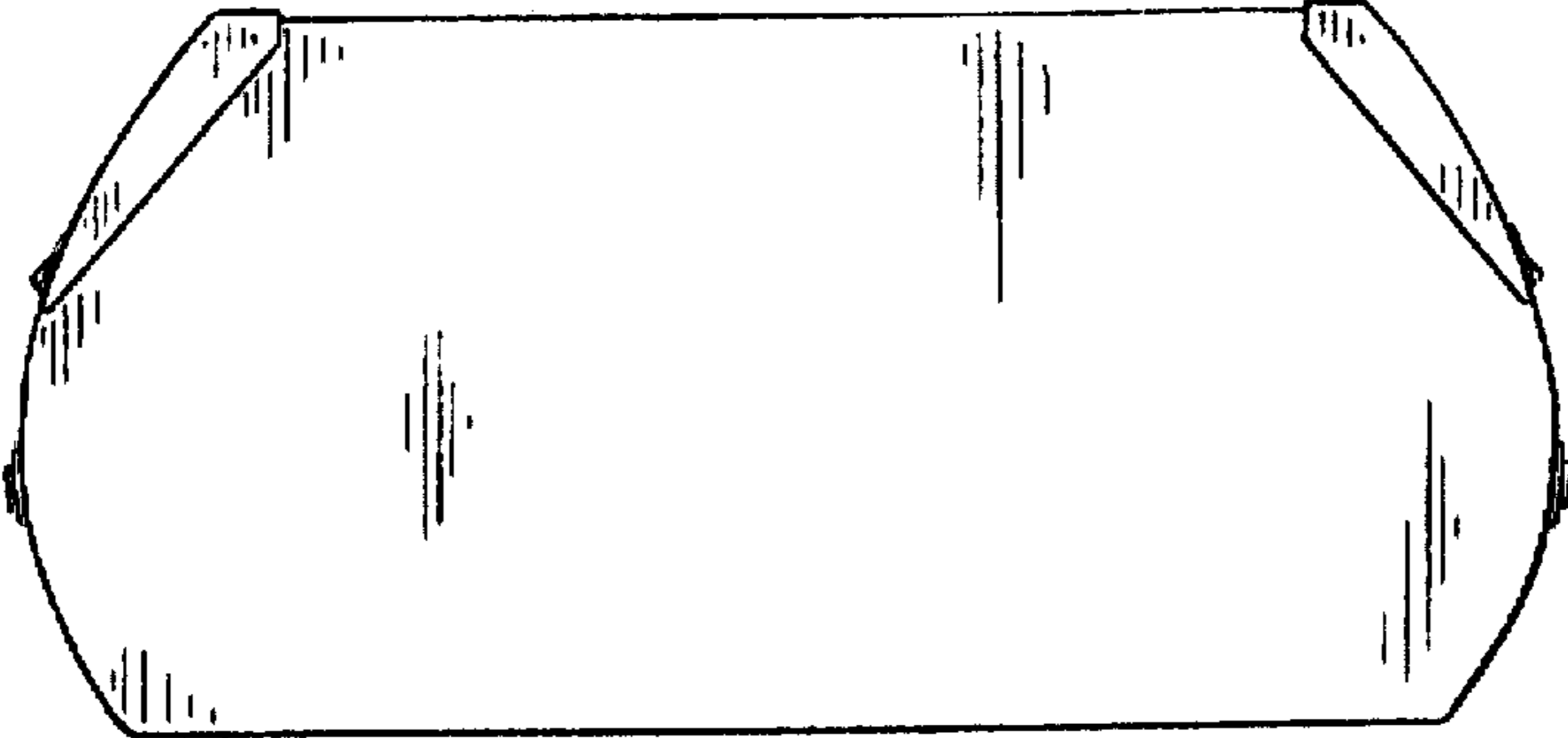


FIG. 4

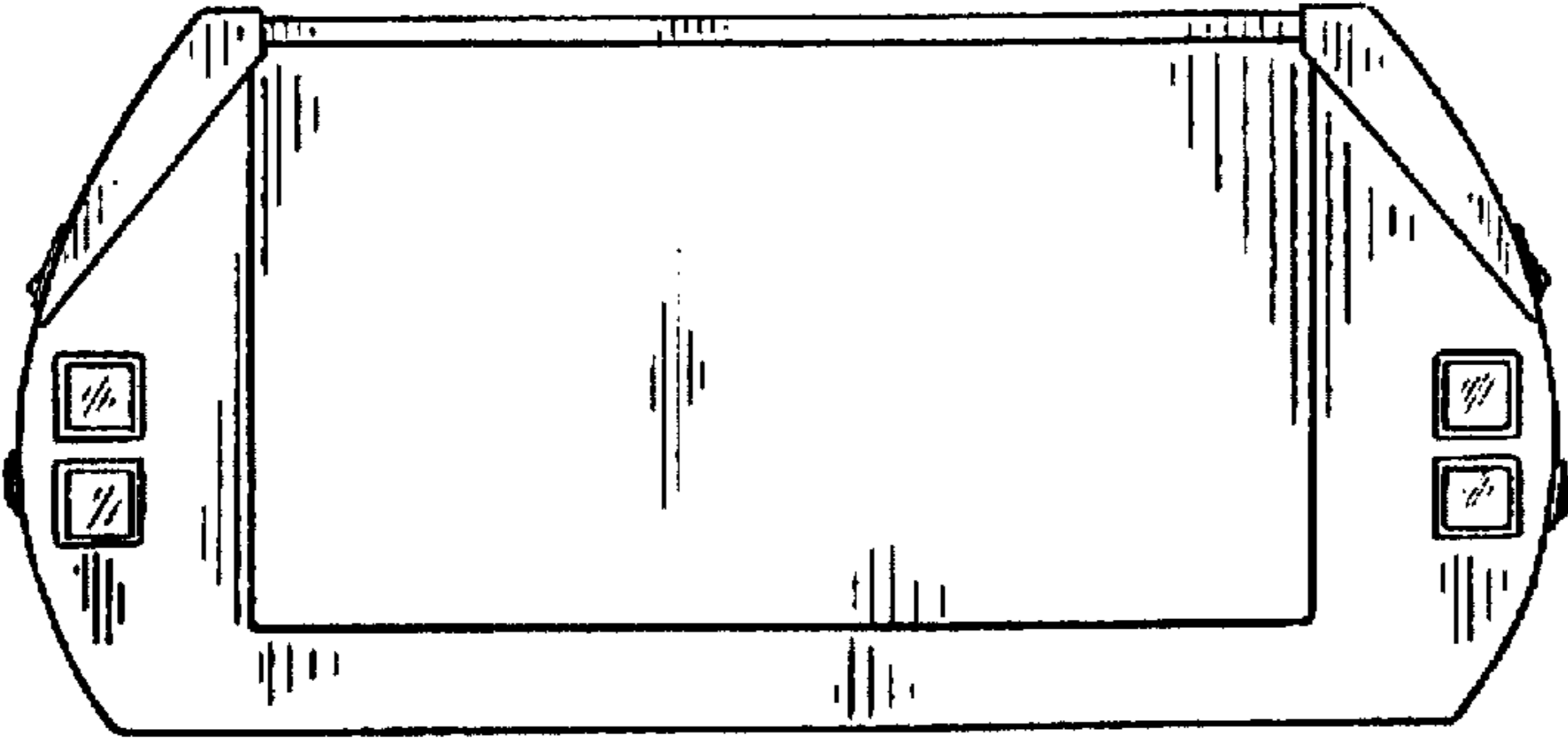


FIG. 5

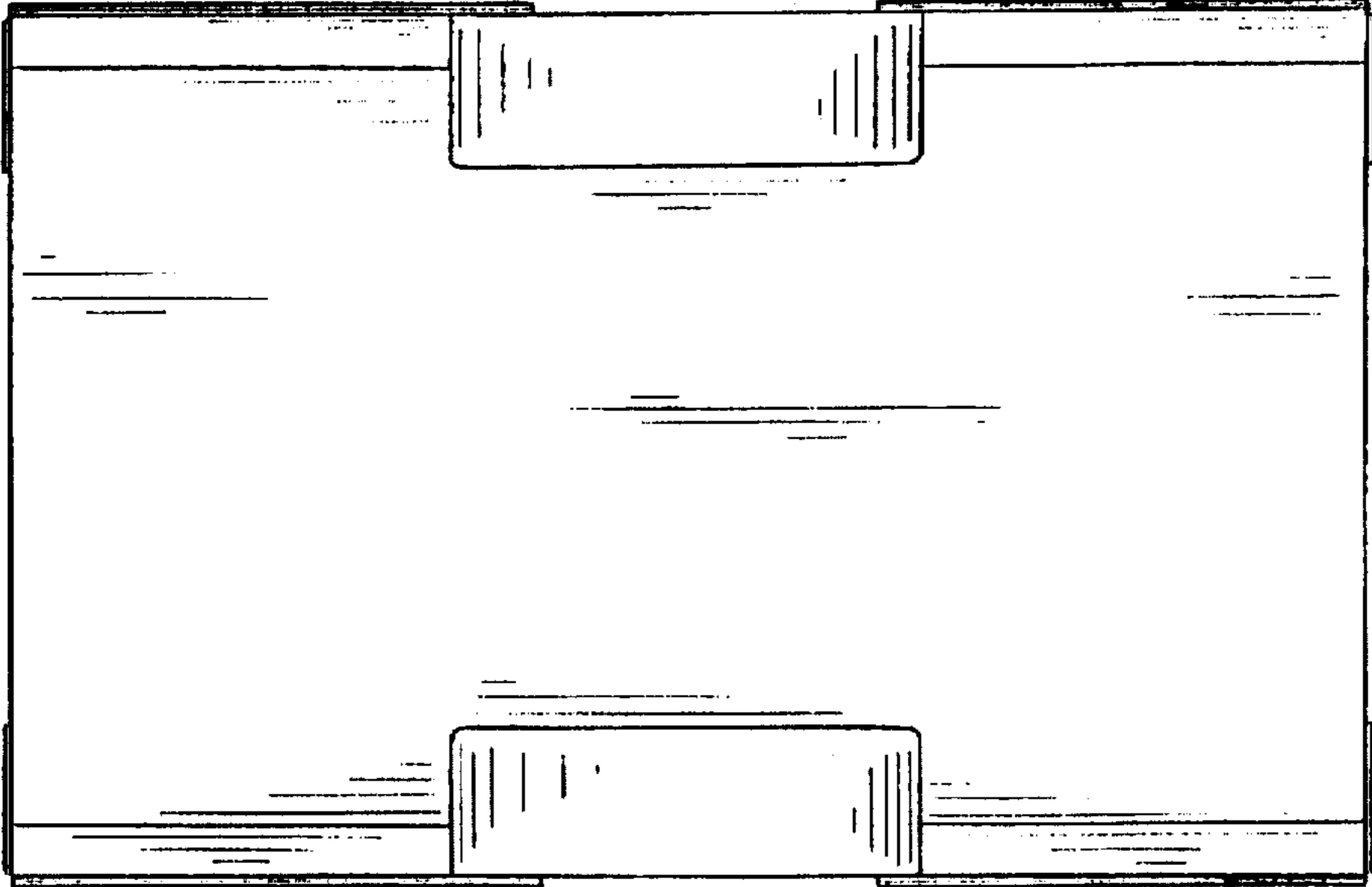


FIG. 6