



US00D384182S

United States Patent [19]

Gresack et al.

[11] Patent Number: **Des. 384,182**

[45] Date of Patent: ****Sep. 23, 1997**

[54] **STAINED GLASS CROWN FOR TORCHERE LAMP SHADE**

D. 330,948 11/1992 Glassman D26/91
1,042,099 10/1912 Fisher 362/367 X

[76] Inventors: **Michael J. Gresack; Richard L. Wheelan**, both of 3685 N. Federal Hwy., Pompano Beach, Fla. 33064

Primary Examiner—Susan J. Lucas
Attorney, Agent, or Firm—Robert M. Downey, P.A.

[**] Term: **14 Years**

[57] **CLAIM**

[21] Appl. No.: **55,617**

The ornamental design for a stained glass crown for torchère lamp shade, as shown and described.

[22] Filed: **Jun. 10, 1996**

DESCRIPTION

[51] LOC (6) Cl. **26-05**

[52] U.S. Cl. **D26/130; D26/118**

[58] Field of Search D26/72, 80-92,
D26/128-137, 118, 119, 93, 102, 112; 362/147,
404-407, 432, 367, 410-414

FIG. 1 is a top perspective view of the stained glass crown for a torchère lamp shade showing our new design;

FIG. 2 is a top plan view thereof on a reduced scale, the bottom plan view being identical; and,

FIG. 3 is a side elevational view thereof, all sides being identical.

[56] **References Cited**

The glass panels are shaded to indicate translucency.

U.S. PATENT DOCUMENTS

D. 80,182 12/1929 Mathieu D26/130

1 Claim, 1 Drawing Sheet

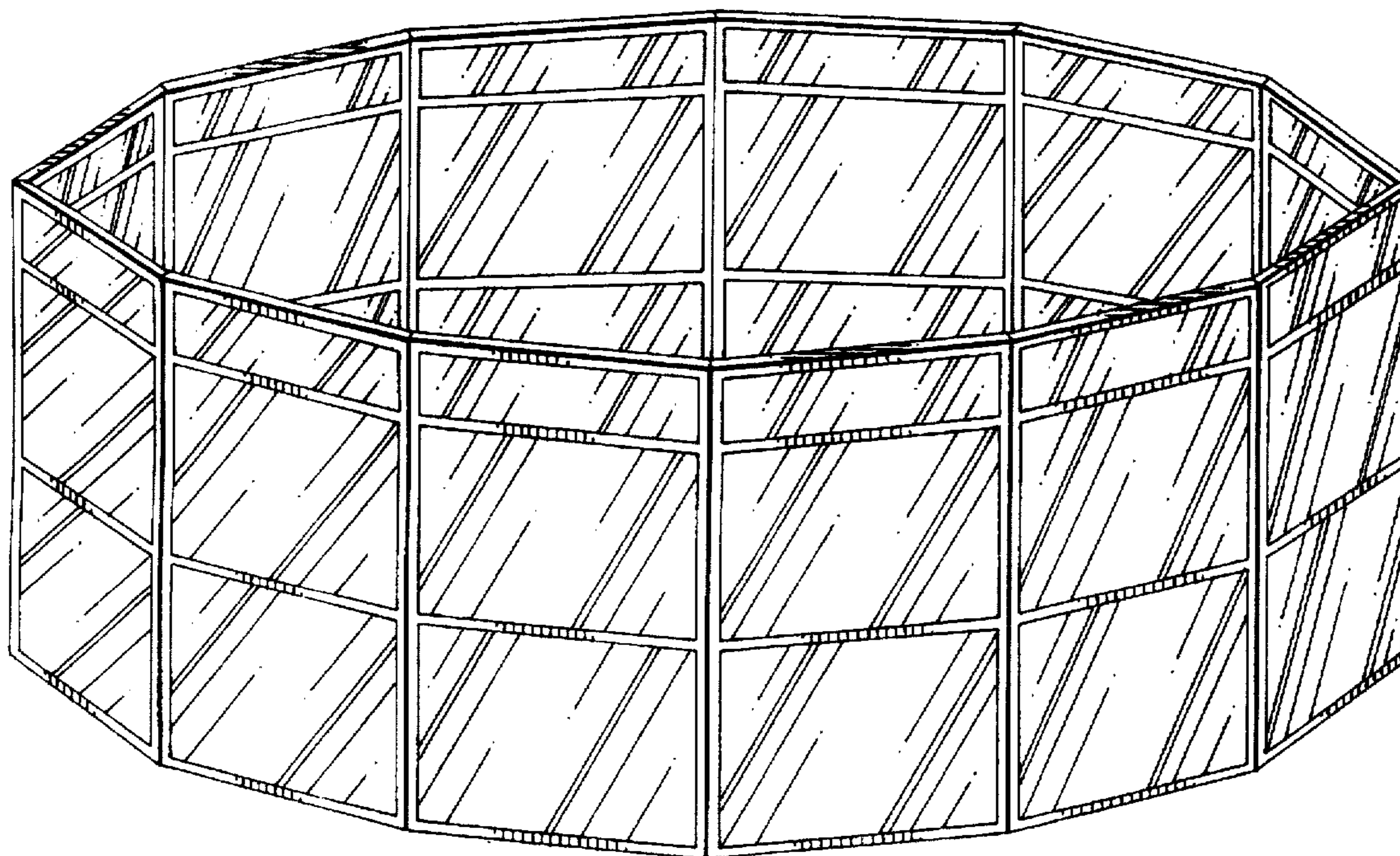


FIG. 1

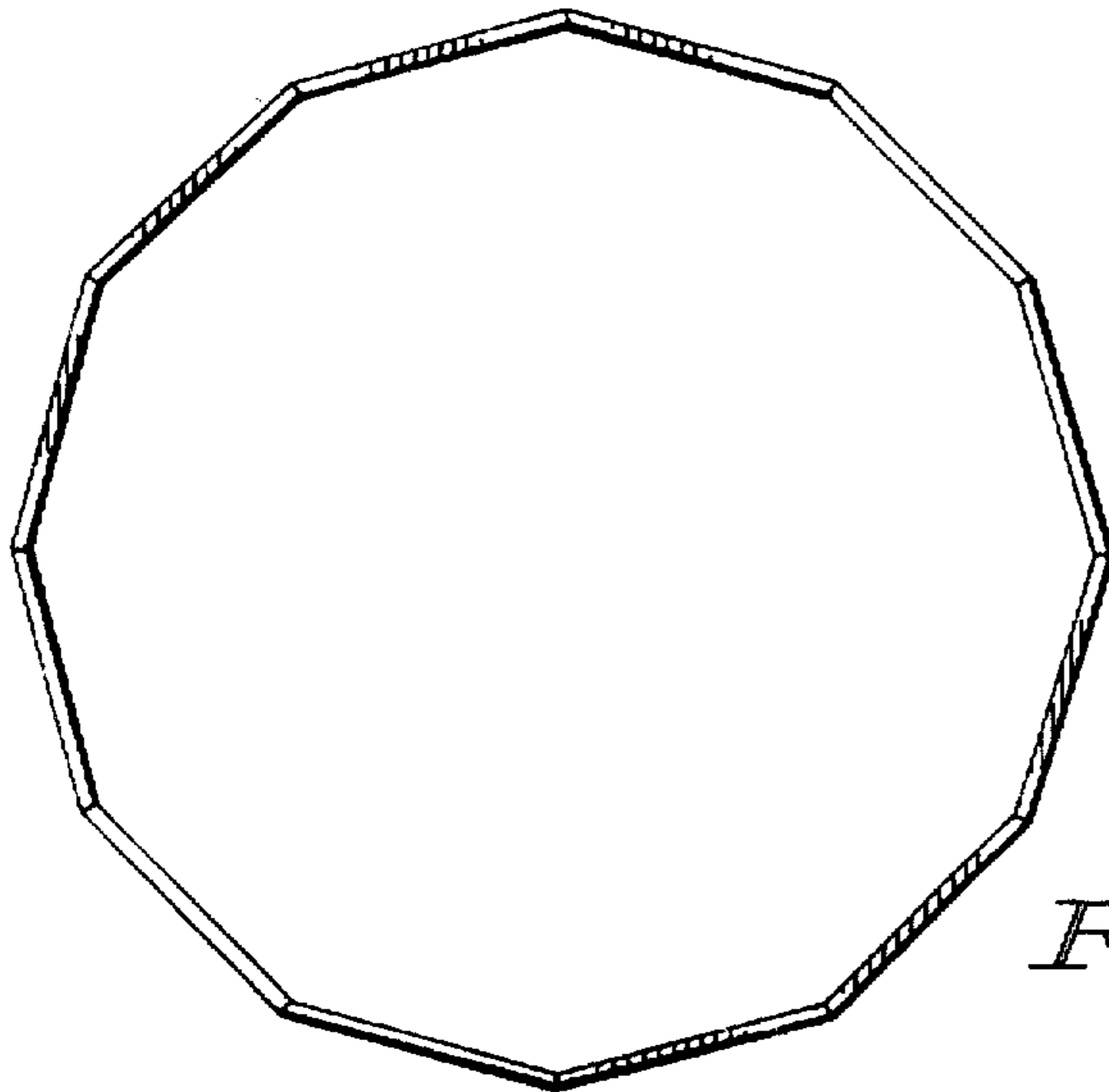
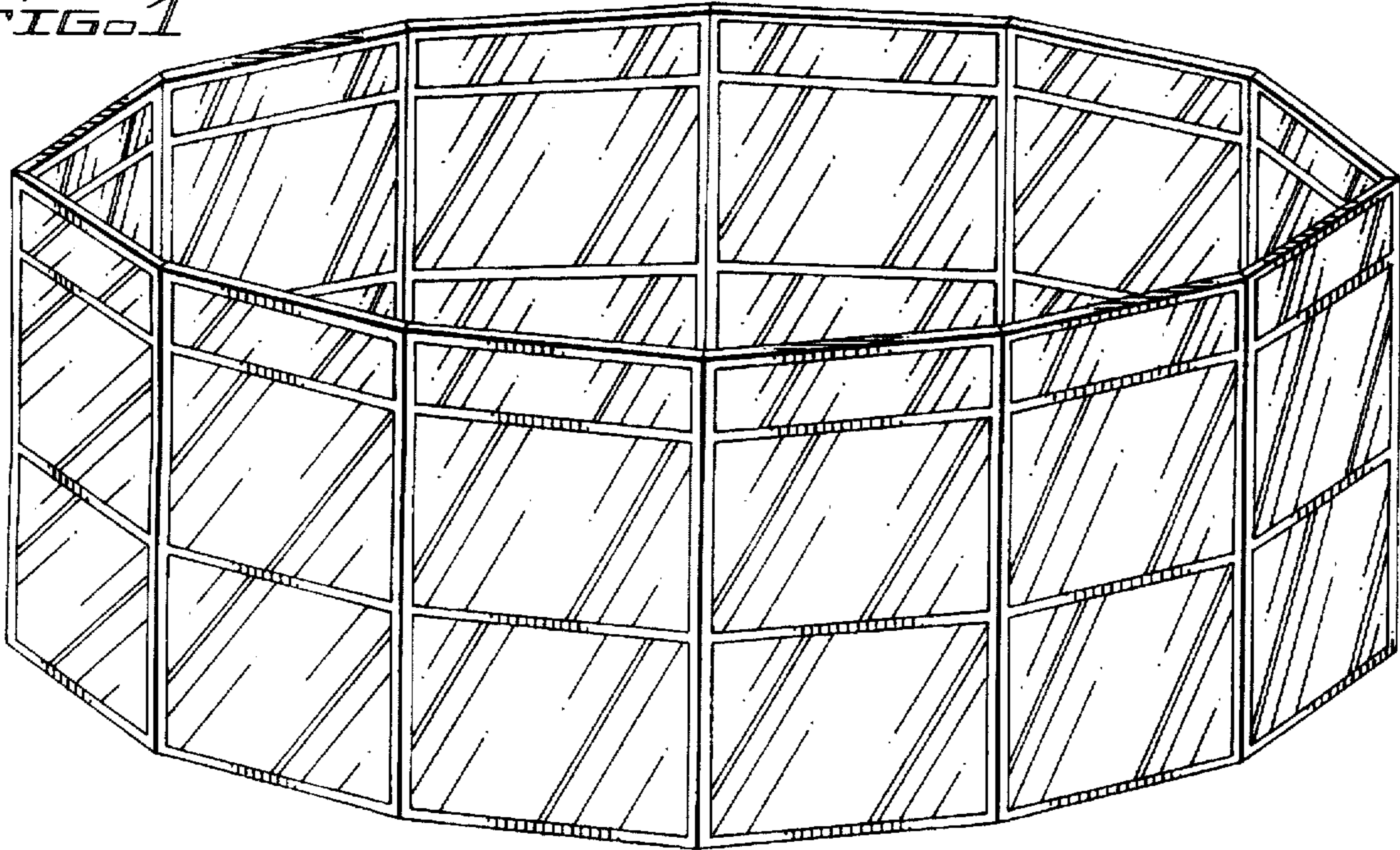


FIG. 2

FIG. 3

