



US00D384180S

United States Patent [19]
Porter

[11] **Patent Number: Des. 384,180**
[45] **Date of Patent: **Sep. 23, 1997**

[54] **LAMP**

[75] **Inventor: David H. Porter, Chagrin Falls, Ohio**

[73] **Assignee: The L.D. Kichler Co., Cleveland, Ohio**

[**] **Term: 14 Years**

[21] **Appl. No.: 55,191**

[22] **Filed: May 31, 1996**

[51] **LOC (6) Cl. 26-05**

[52] **U.S. Cl. D26/107**

[58] **Field of Search D26/93, 102-112;
362/410-414**

[56] **References Cited**

PUBLICATIONS

Home Lighting and Accessories, p. 128, Haller Leuchten table lamp Apr. 1994.

Home Lighting and Accessories, p. 72, David D'Imperio table lamp Aug. 1994.

Primary Examiner—Susan J. Lucas

Attorney, Agent, or Firm—Watts, Hoffmann, Fisher & Heinke Co. LPA

[57] **CLAIM**

The ornamental design for a lamp, as shown and described.

DESCRIPTION

FIG. 1 is a perspective view of a lamp showing my new design;

FIG. 2 is a left side elevational view of a lamp, the right side elevational view being a mirror image;

FIG. 3 is a front elevational view of the lamp;

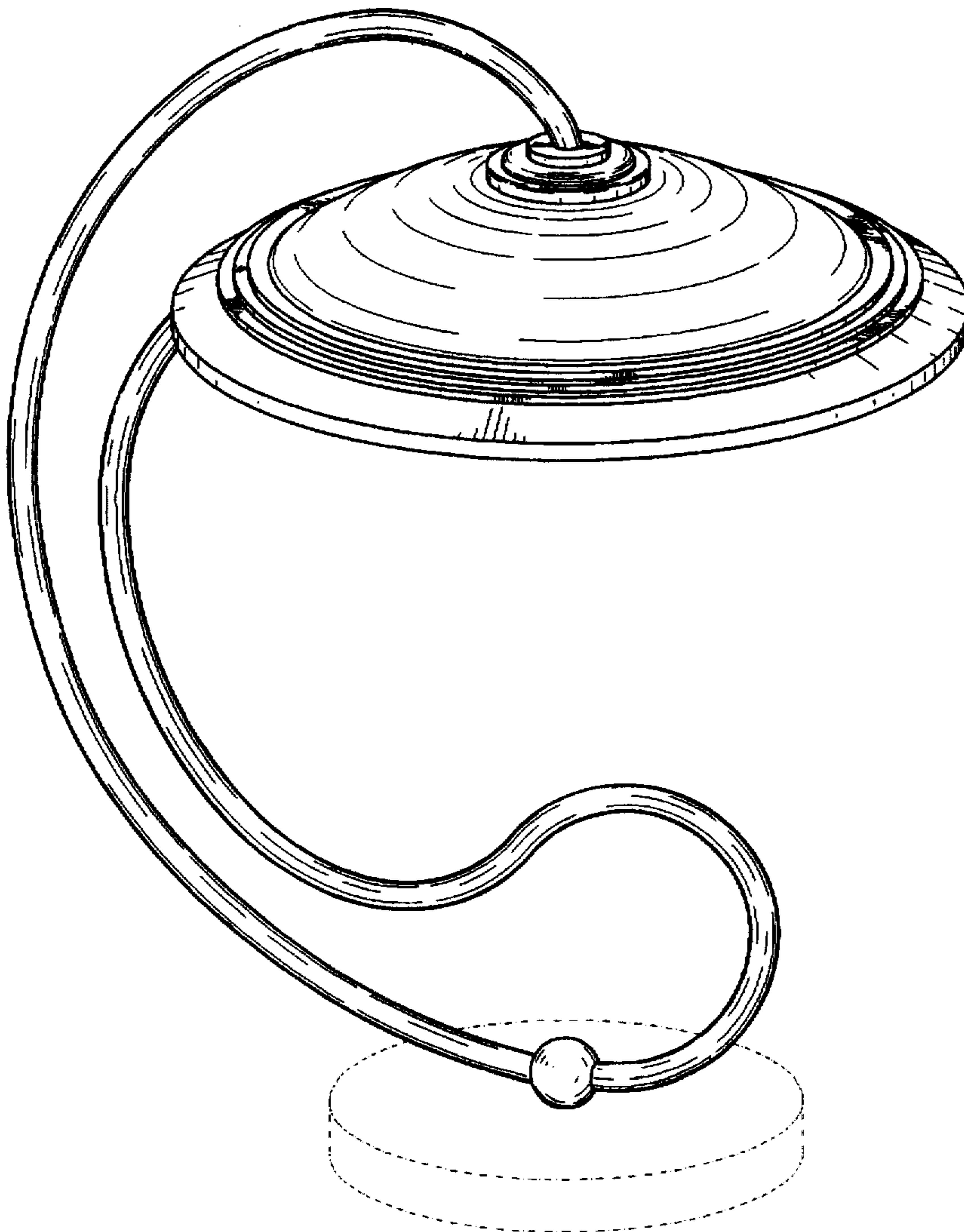
FIG. 4 is a rear elevational view of the lamp;

FIG. 5 is a top plan view of the lamp; and,

FIG. 6 is a bottom plan view of the lamp.

The broken lines shown are for illustrative purposes only.

1 Claim, 4 Drawing Sheets



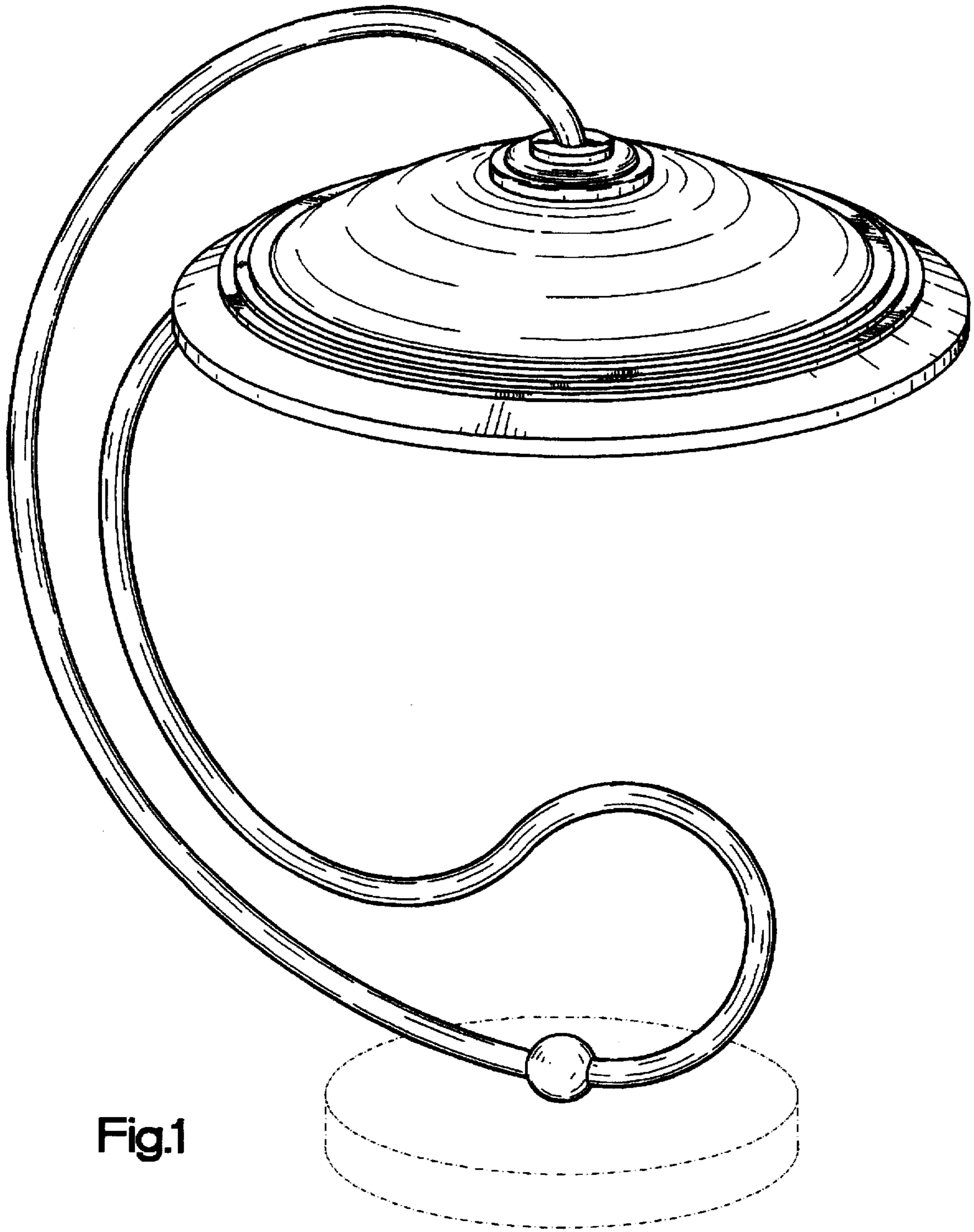


Fig.1

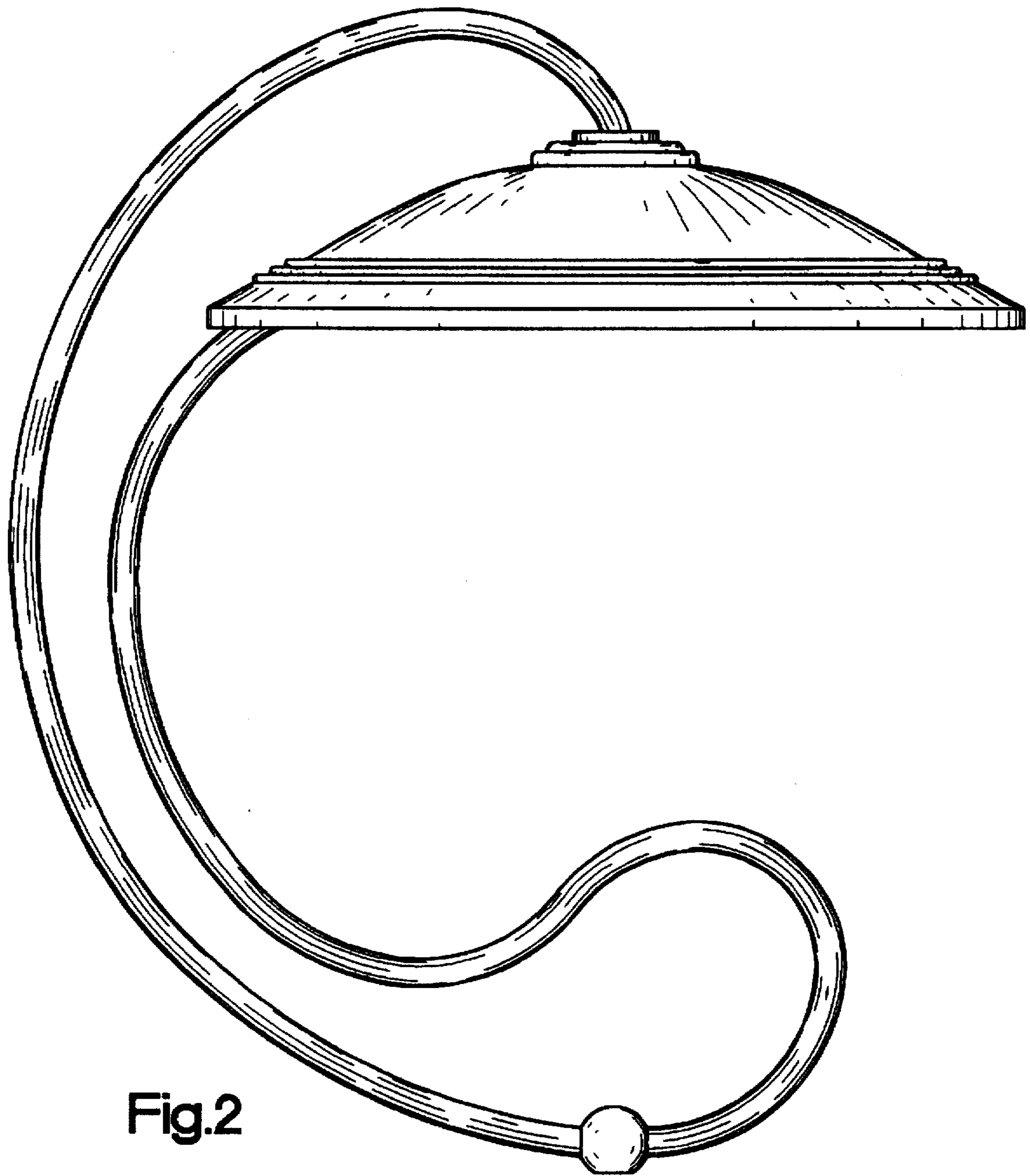


Fig.2

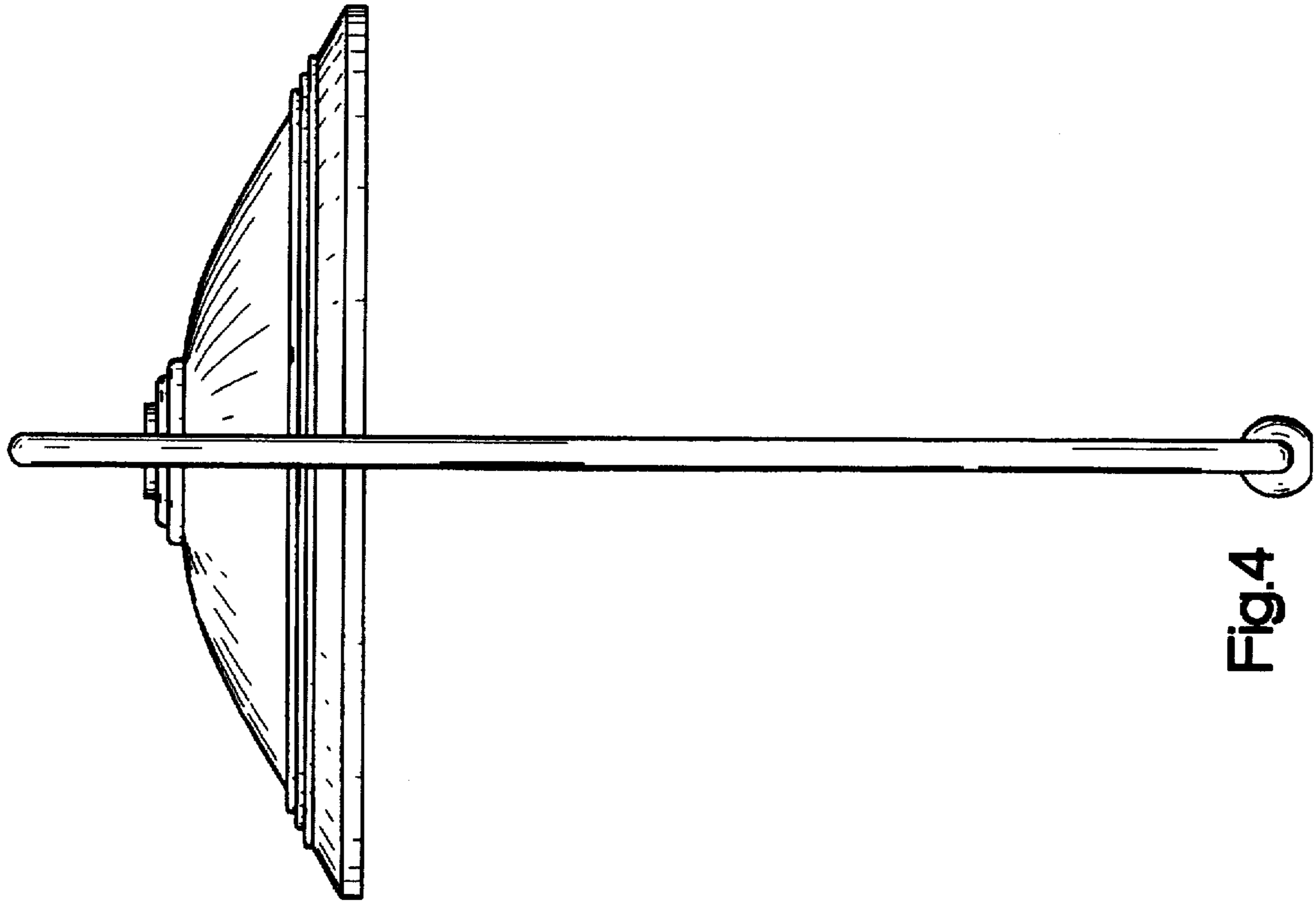


Fig.4

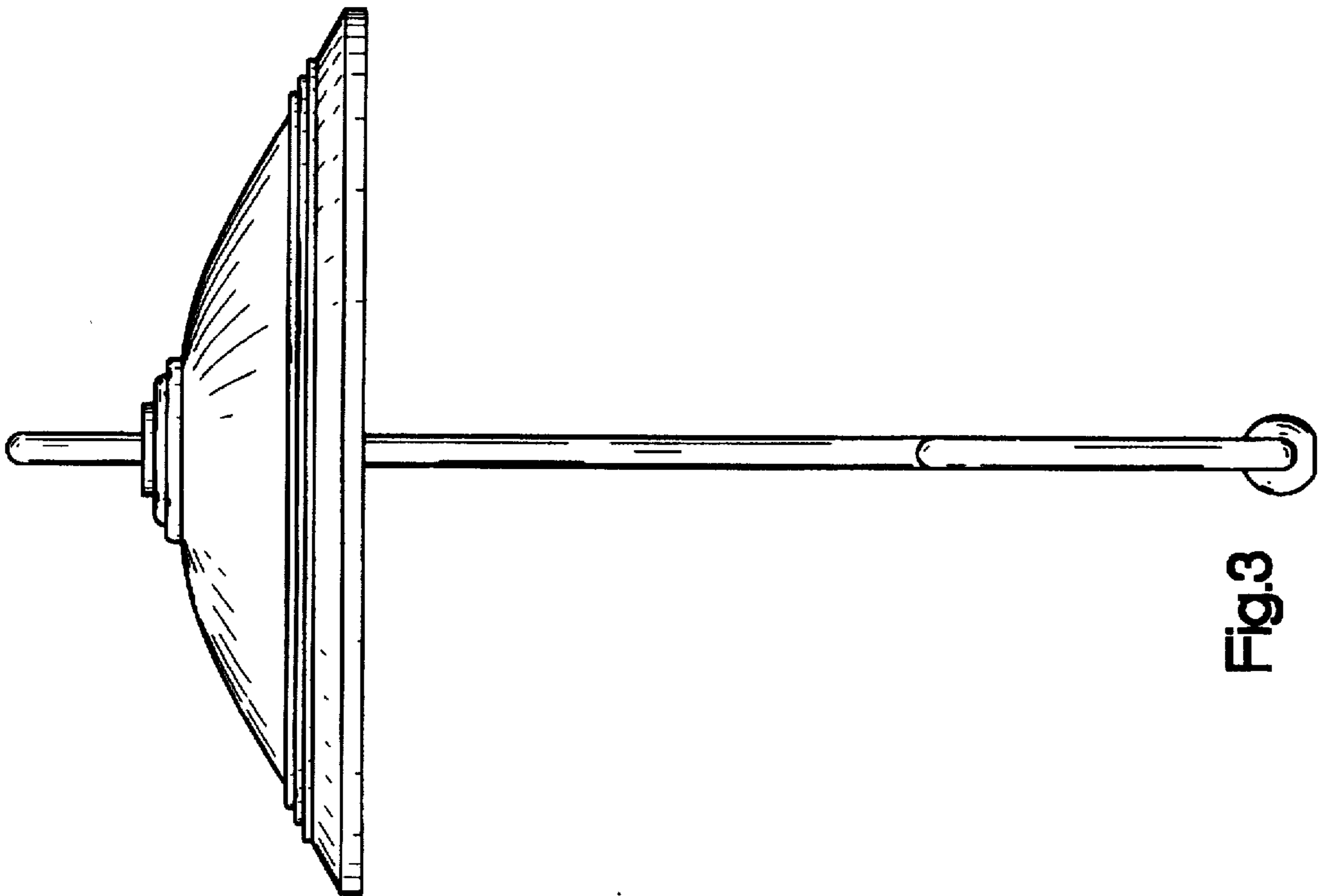


Fig.3

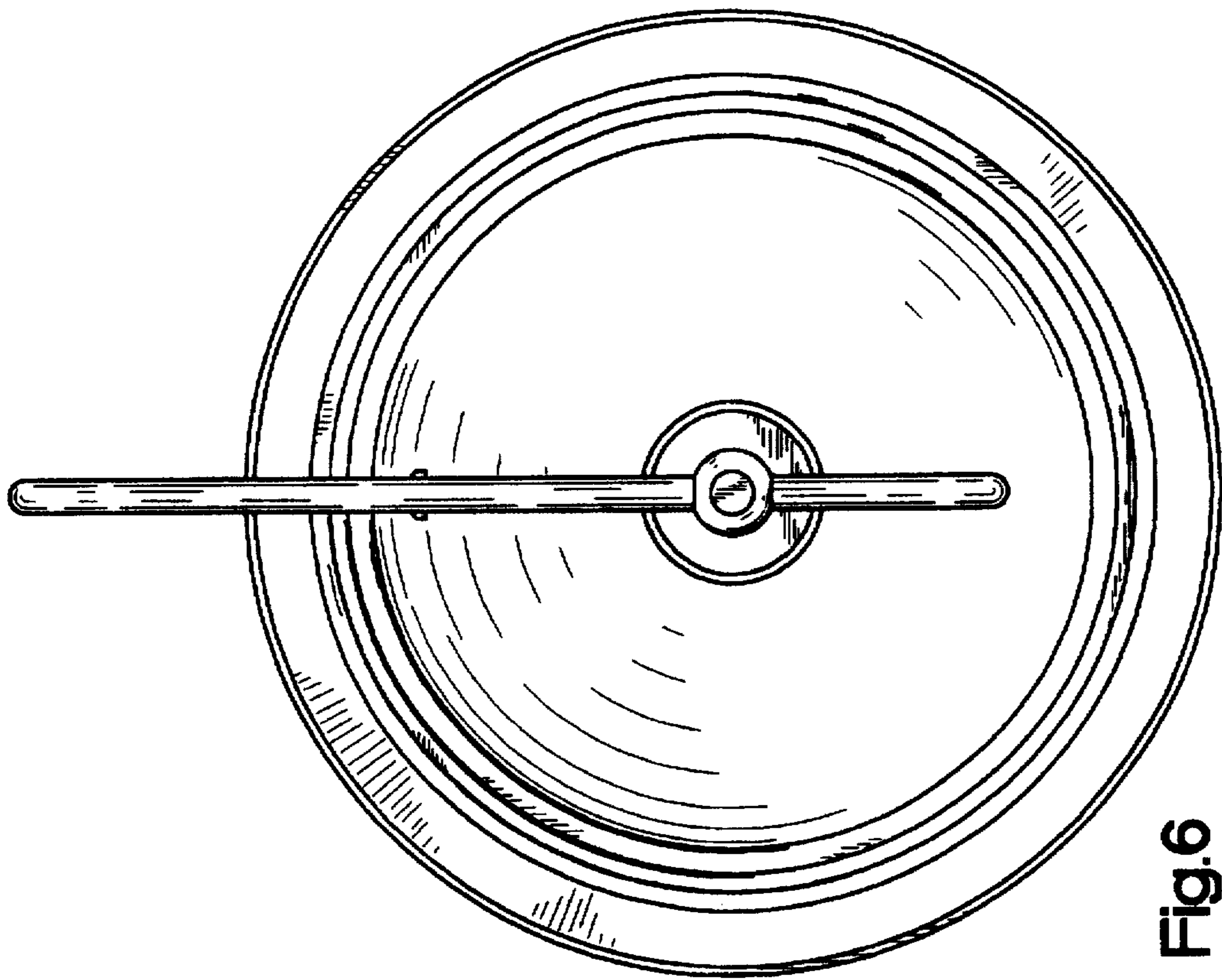


Fig.6

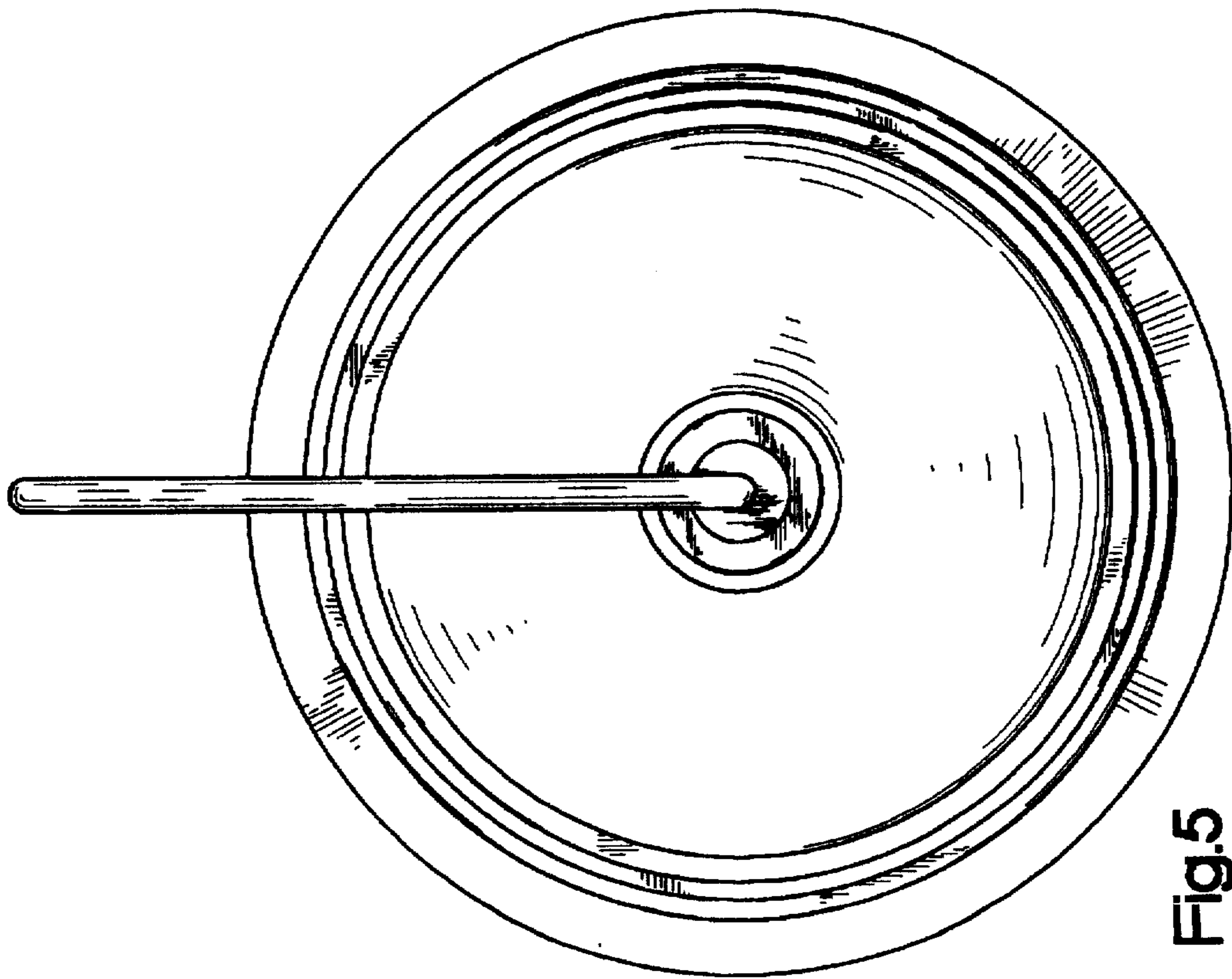


Fig.5