



US00D384177S

**United States Patent** [19]  
**Pun**

[11] **Patent Number:** **Des. 384,177**  
[45] **Date of Patent:** **\*\*Sep. 23, 1997**

[54] **COMBINED LIGHTING FIXTURE AND SENSOR**

D. 323,898 2/1992 Schwartz ..... D26/85 X

[75] **Inventor:** **Kam-Wah Pun**, Hong Kong, Hong Kong

*Primary Examiner*—Susan J. Lucas  
*Attorney, Agent, or Firm*—Salter & Michaelson

[73] **Assignee:** **Styling City Limited**, Kowloon, Hong Kong

[57] **CLAIM**

[\*\*] **Term:** **14 Years**

The ornamental design for a combined lighting fixture and sensor, as shown and described.

[21] **Appl. No.:** **53,821**

**DESCRIPTION**

[22] **Filed:** **Apr. 30, 1996**

FIG. 1 is a perspective view of the article the subject of my invention;

[51] **LOC (6) Cl.** ..... **26-05**

FIG. 2 is a plan view of the article;

[52] **U.S. Cl.** ..... **D26/51; D10/106; D26/85**

FIG. 3 is an underplan view of the article;

[58] **Field of Search** ..... **D26/72, 80-92, D26/51; 362/147, 404-407, 432; D10/104, 106**

FIG. 4 is a side view of the article, the opposite side being a mirror image;

FIG. 5 is a front view of the article; and,

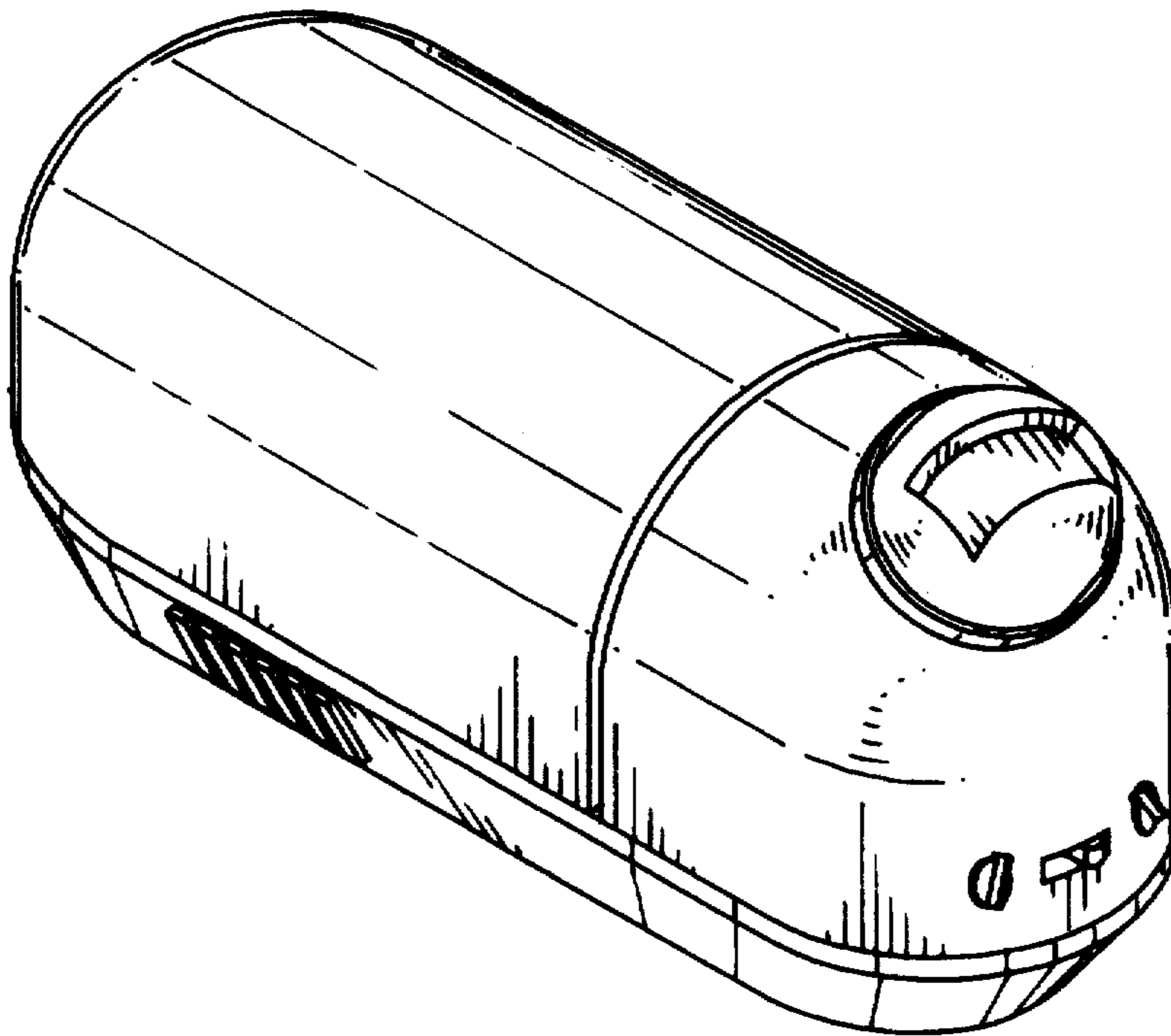
FIG. 6 is a back view of the article.

[56] **References Cited**

**U.S. PATENT DOCUMENTS**

D. 323,405 1/1992 Kin ..... D26/85 X

**1 Claim, 1 Drawing Sheet**



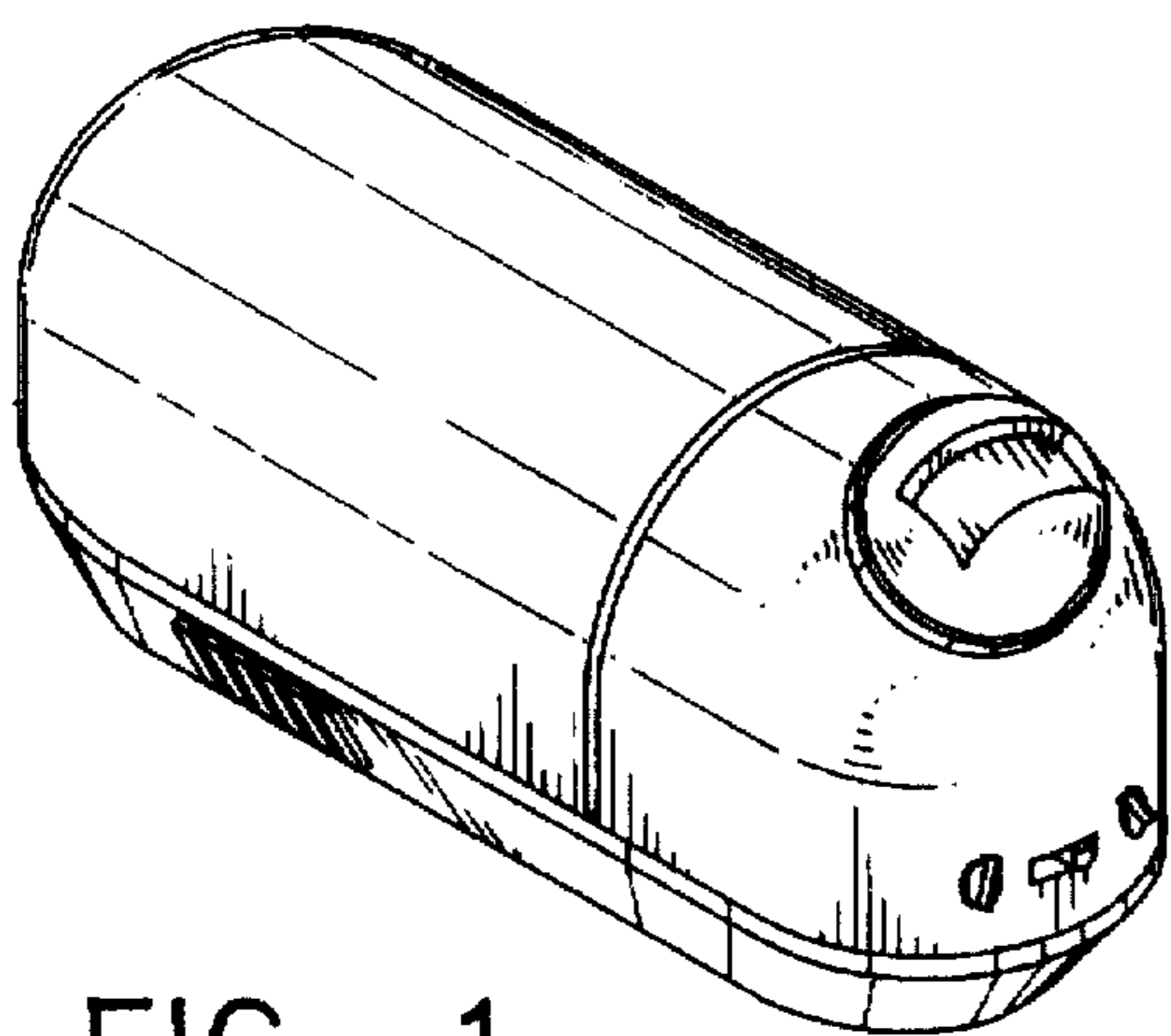


FIG. 1

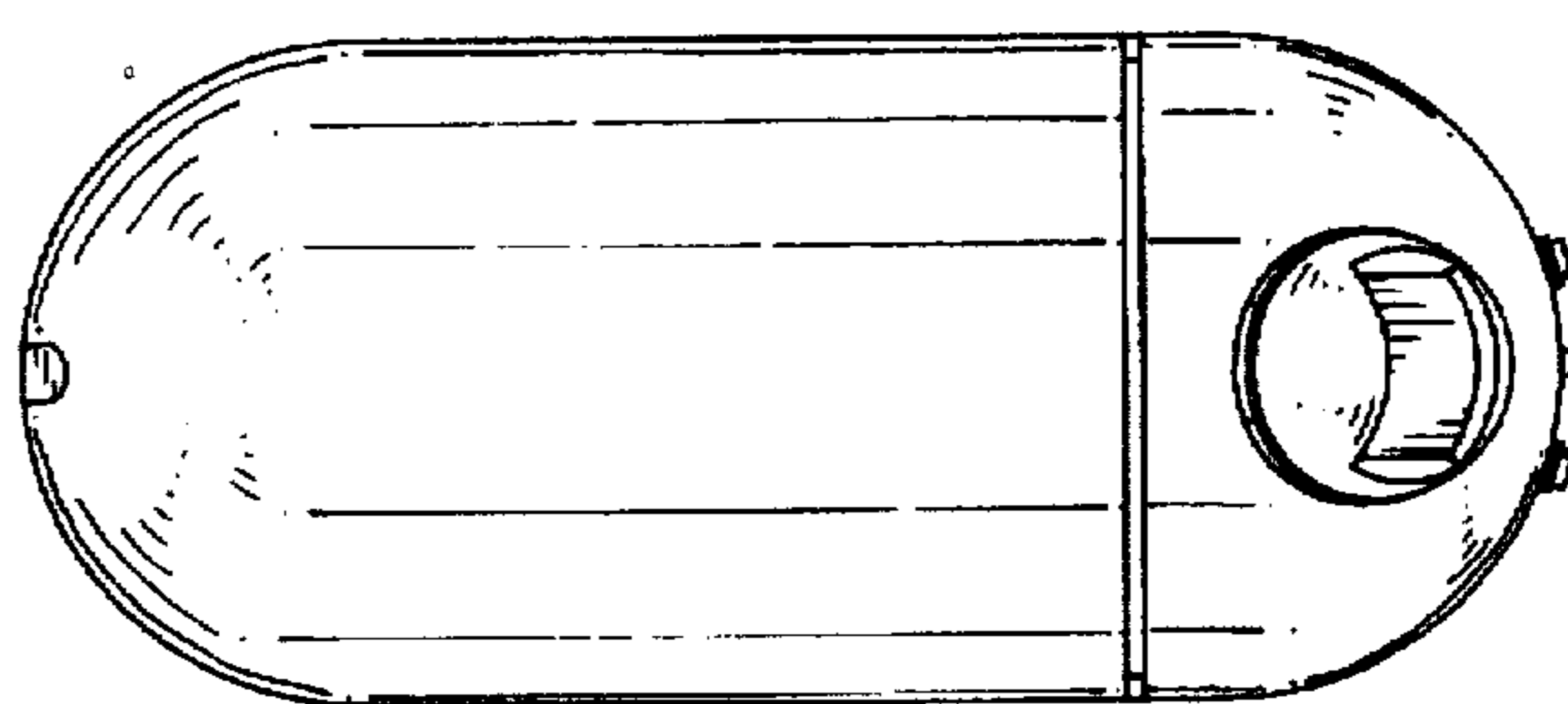


FIG. 2

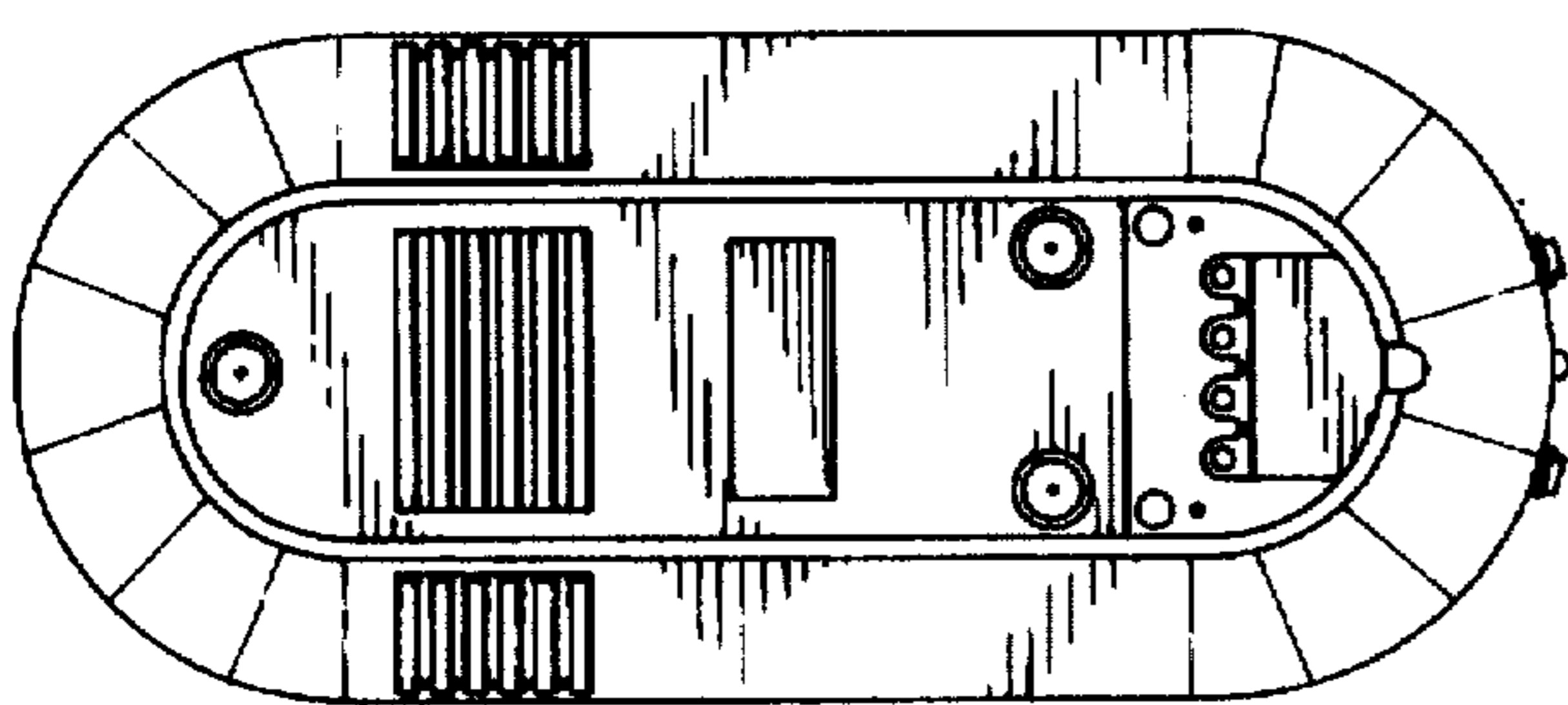


FIG. 3

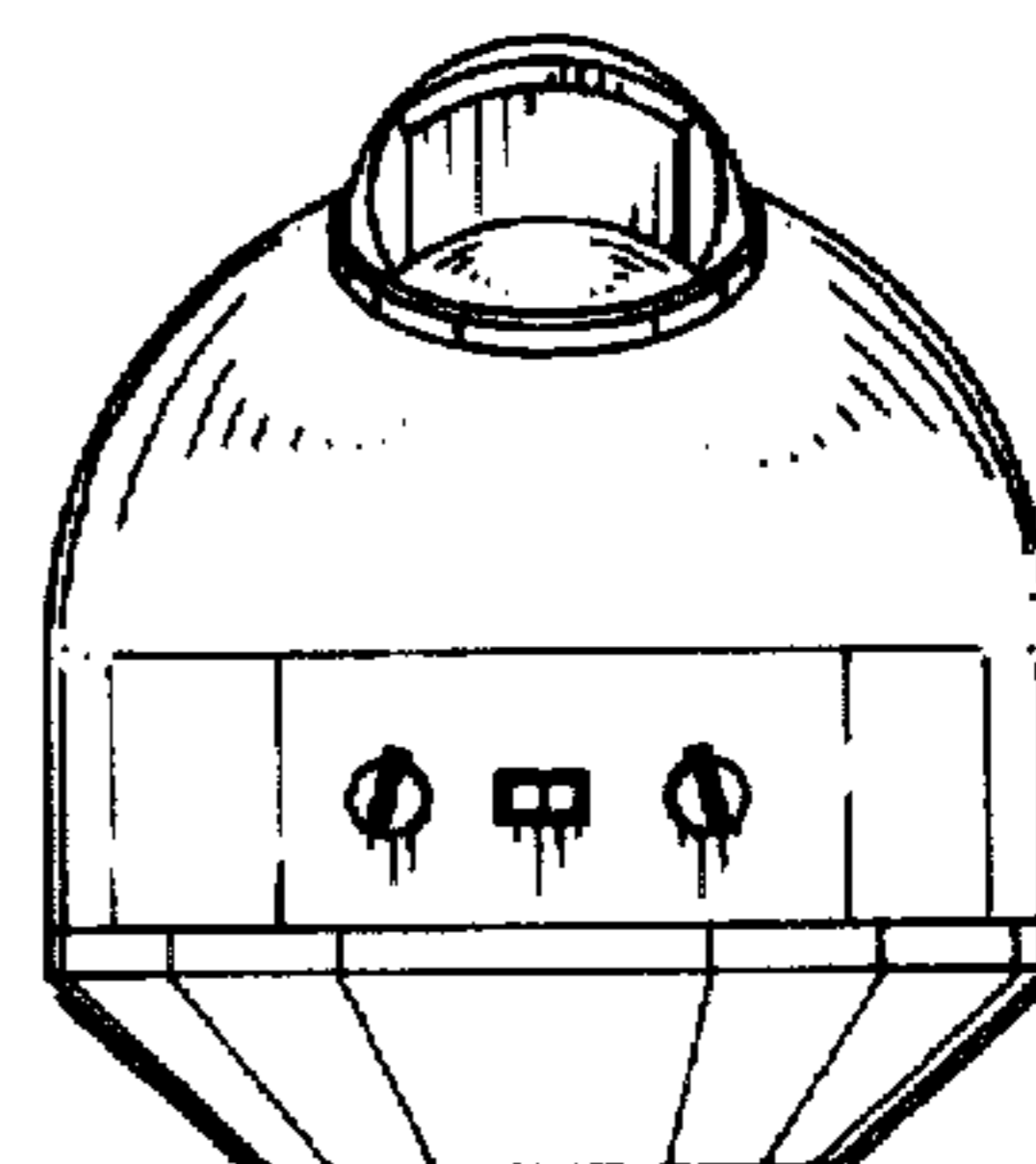


FIG. 5

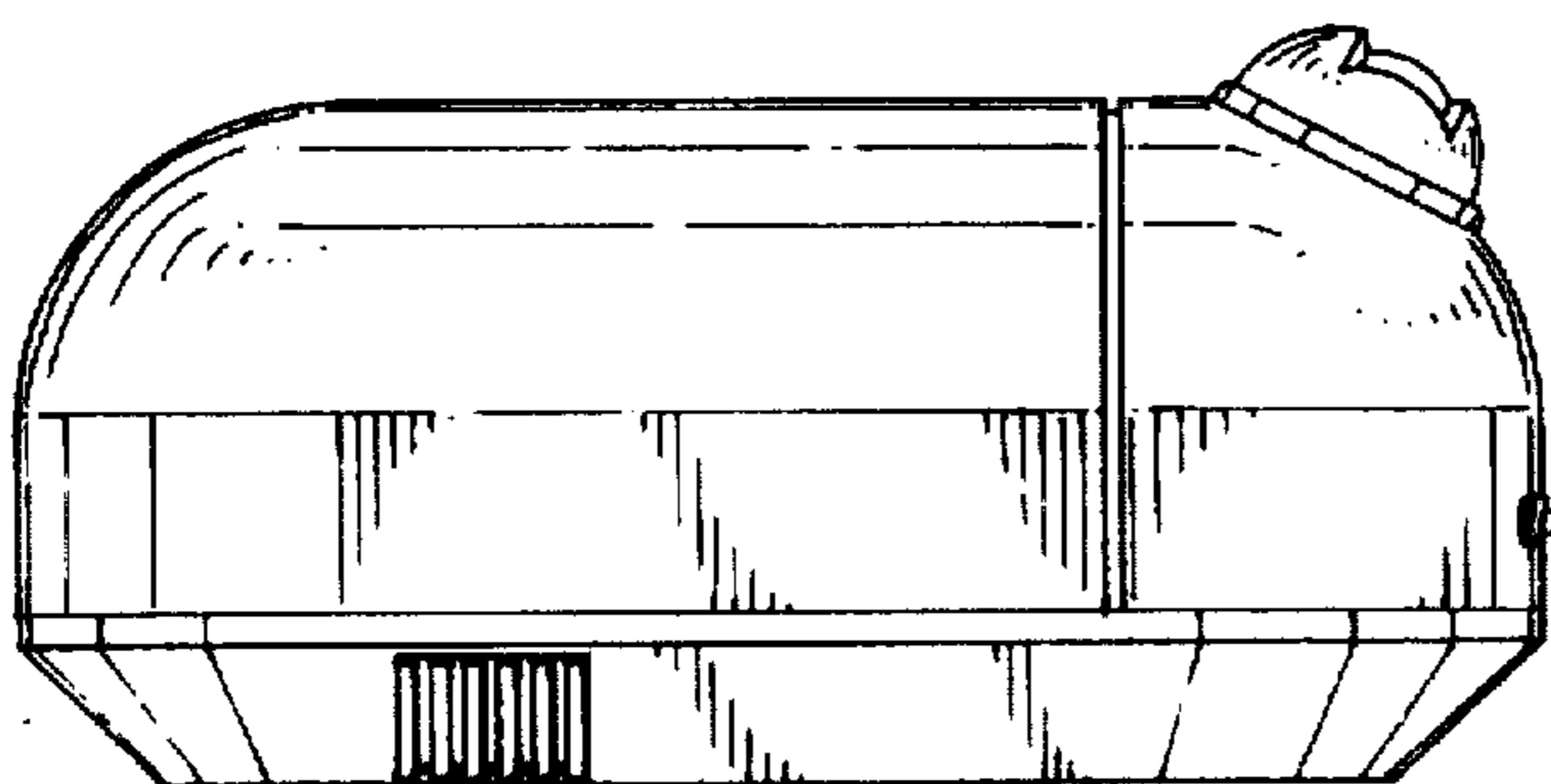


FIG. 4

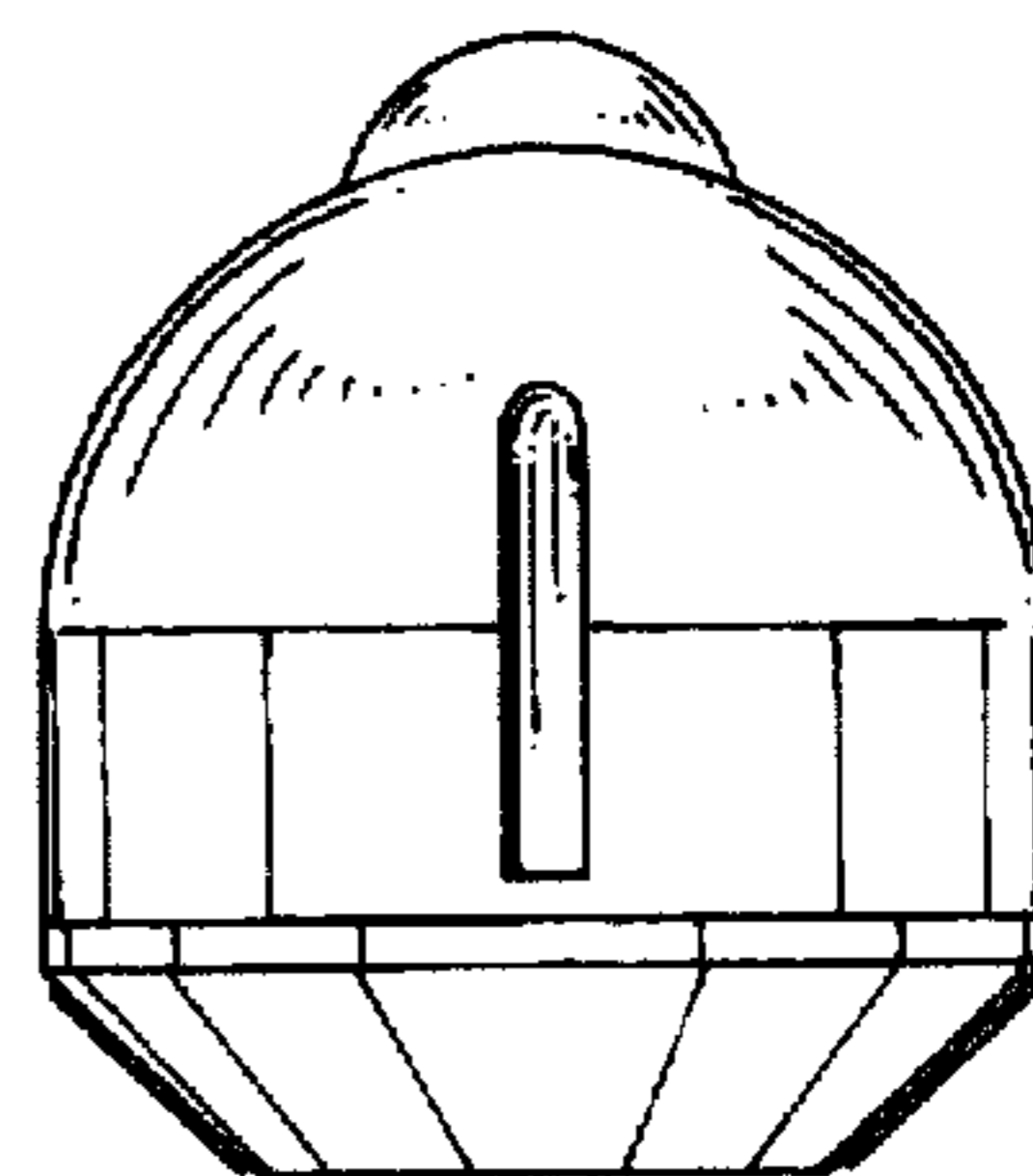


FIG. 6