

US00D384175S

United States Patent [19]
Liu

[11] **Patent Number: Des. 384,175**
[45] **Date of Patent: **Sep. 23, 1997**

[54] **LIGHT**

[75] **Inventor: Kwok Hung Liu, New Territories, Hong Kong**

[73] **Assignee: Germain Electronic Ltd., Hong Kong, Hong Kong**

[**] **Term: 14 Years**

[21] **Appl. No.: 55,887**

[22] **Filed: Jun. 14, 1996**

[30] **Foreign Application Priority Data**

Feb. 15, 1996 [GB] United Kingdom 2054155

[51] **LOC (6) Cl. 26-02**

[52] **U.S. Cl. D26/38**

[58] **Field of Search D26/37-50; 362/157, 362/158, 183-191, 194-208**

[56] **References Cited**

U.S. PATENT DOCUMENTS

D. 299,173 12/1988 Powell et al. D26/37

D. 307,806 5/1990 Byar et al. D26/38
D. 315,962 4/1991 Zavinsky et al. D26/37
D. 336,531 6/1993 Kwang D26/37
D. 351,857 10/1994 Jam D26/38

Primary Examiner—Marcus A. Jackson
Attorney, Agent, or Firm—Gunn, Lee & Miller, P.C.

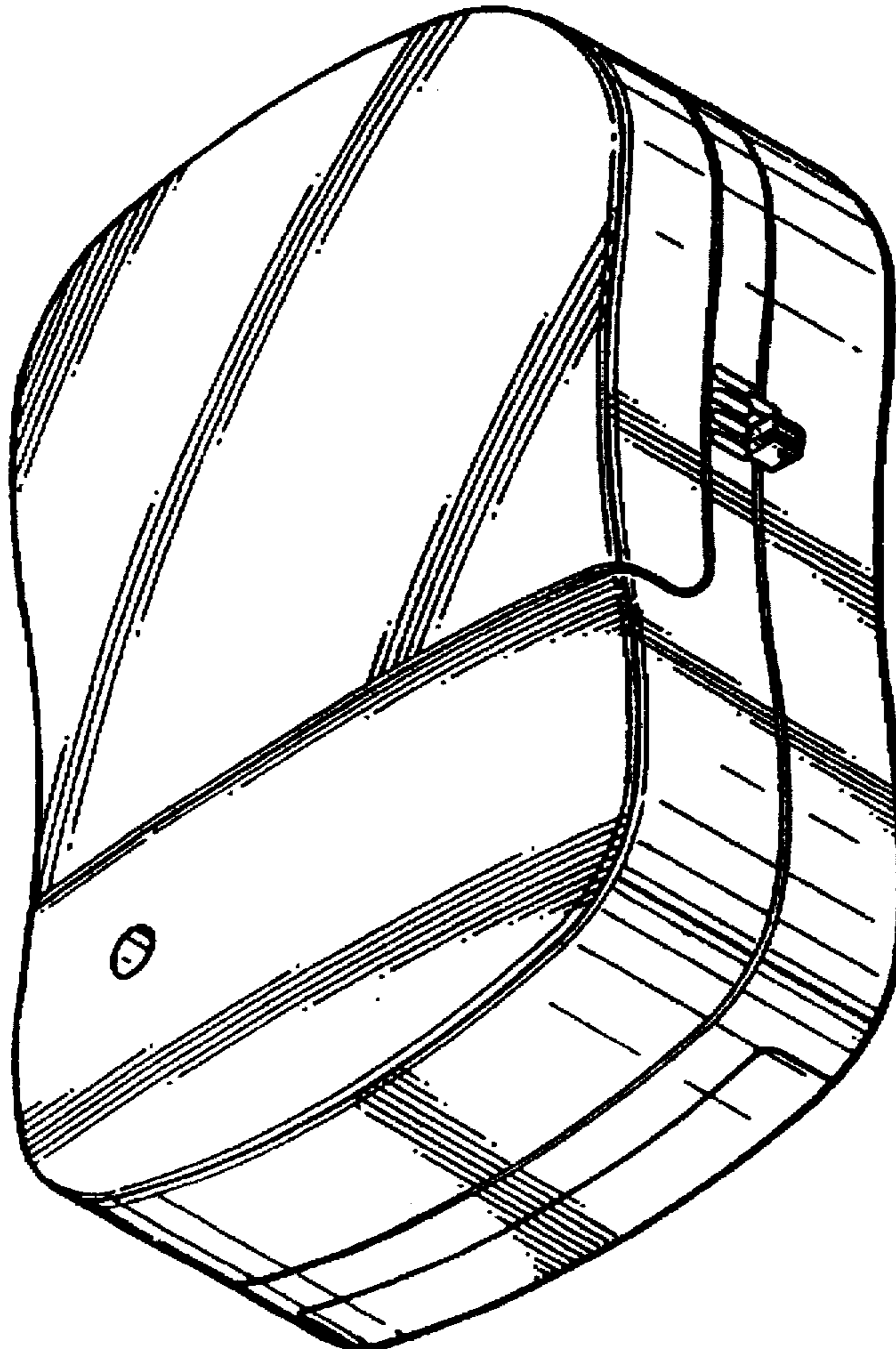
[57] **CLAIM**

The ornamental design for a light, as shown and described.

DESCRIPTION

FIG. 1 is a front, right side and bottom perspective view of a light showing my new design;
FIG. 2 is a rear, left side and top perspective view thereof;
FIG. 3 is a front elevational view thereof;
FIG. 4 is a rear elevational view thereof;
FIG. 5 is a right side elevational view thereof;
FIG. 6 is a left side elevational view thereof;
FIG. 7 is a top plan view thereof; and,
FIG. 8 is a bottom plan view thereof.

1 Claim, 3 Drawing Sheets



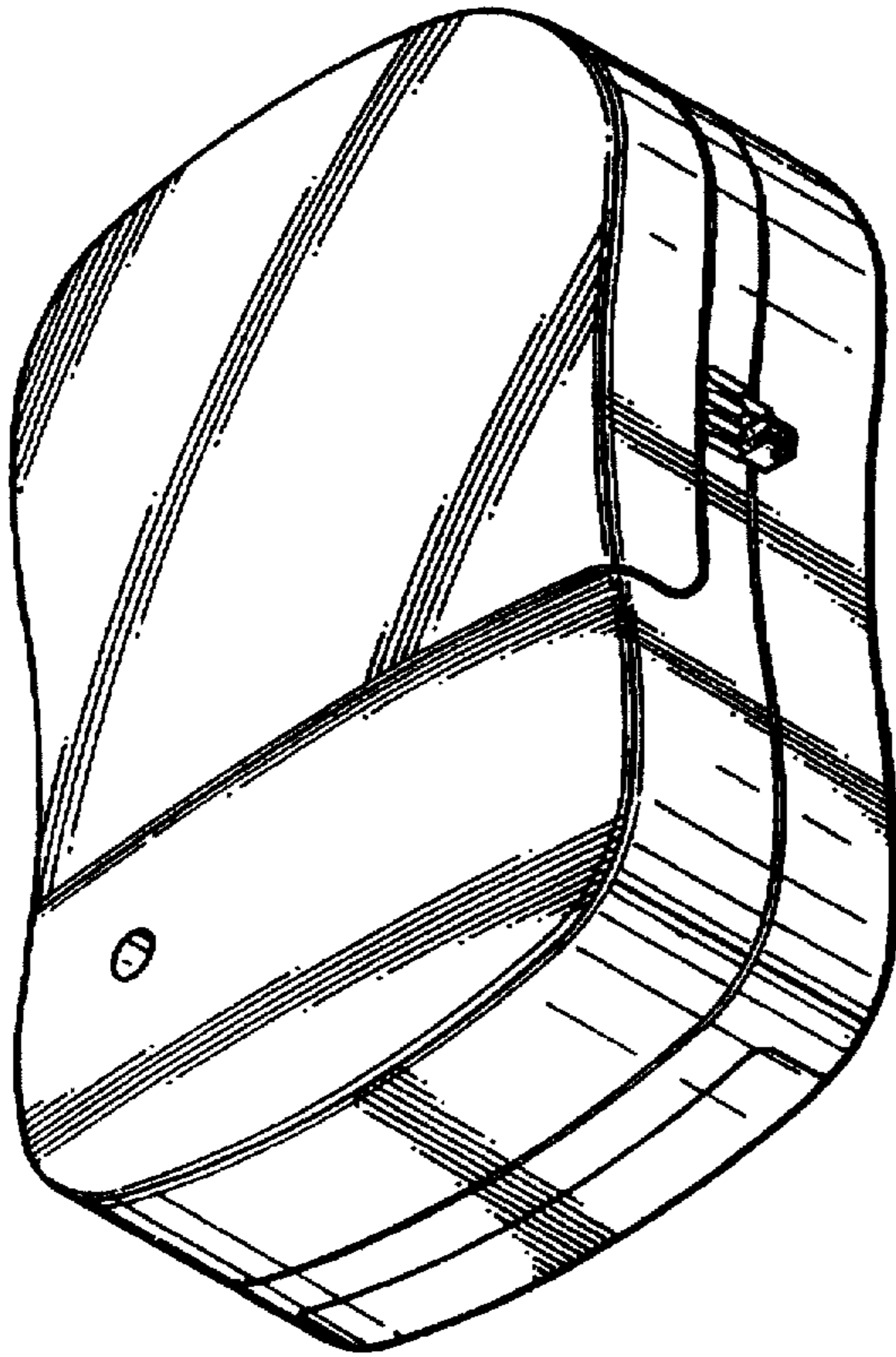


FIG. 1

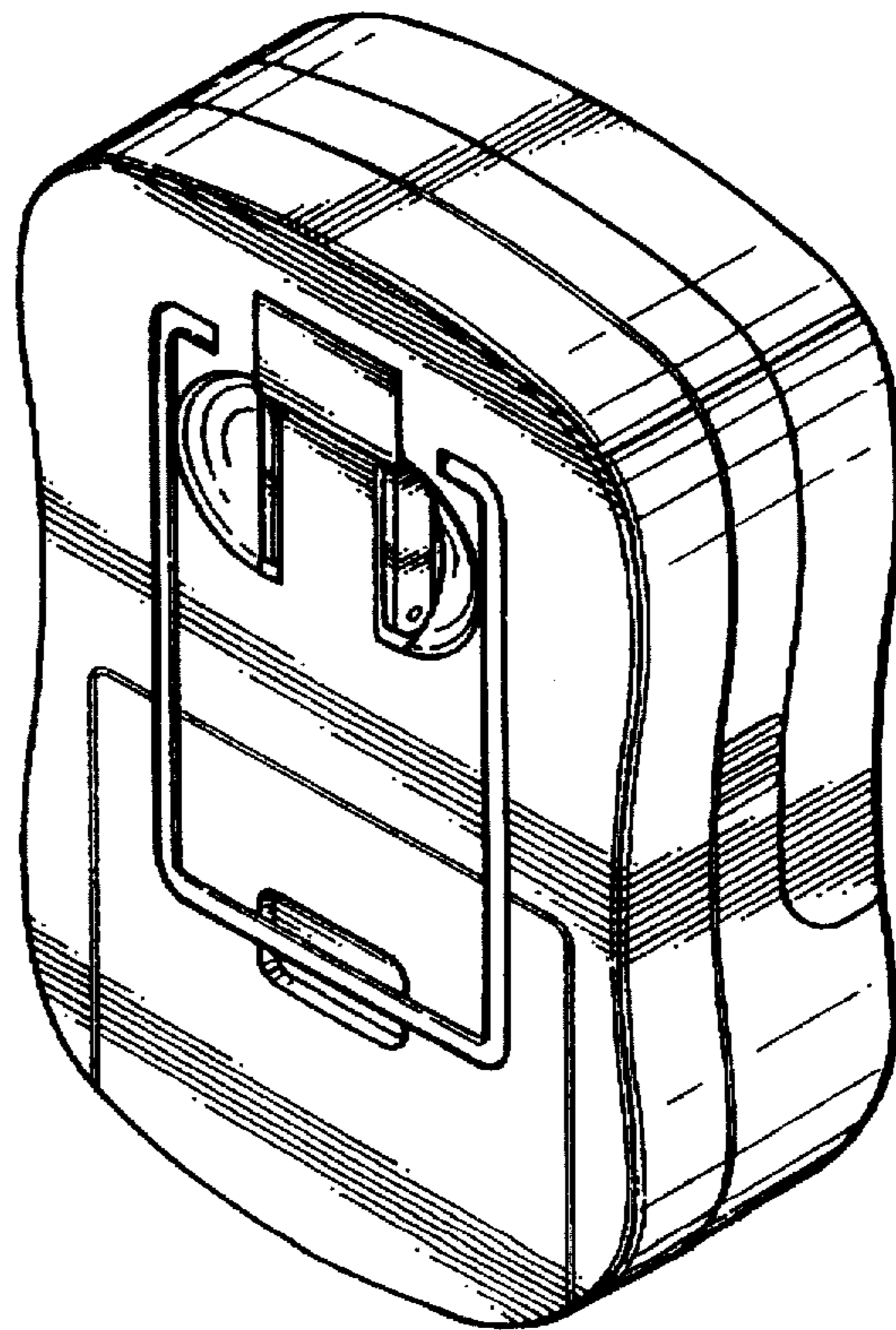


FIG. 2

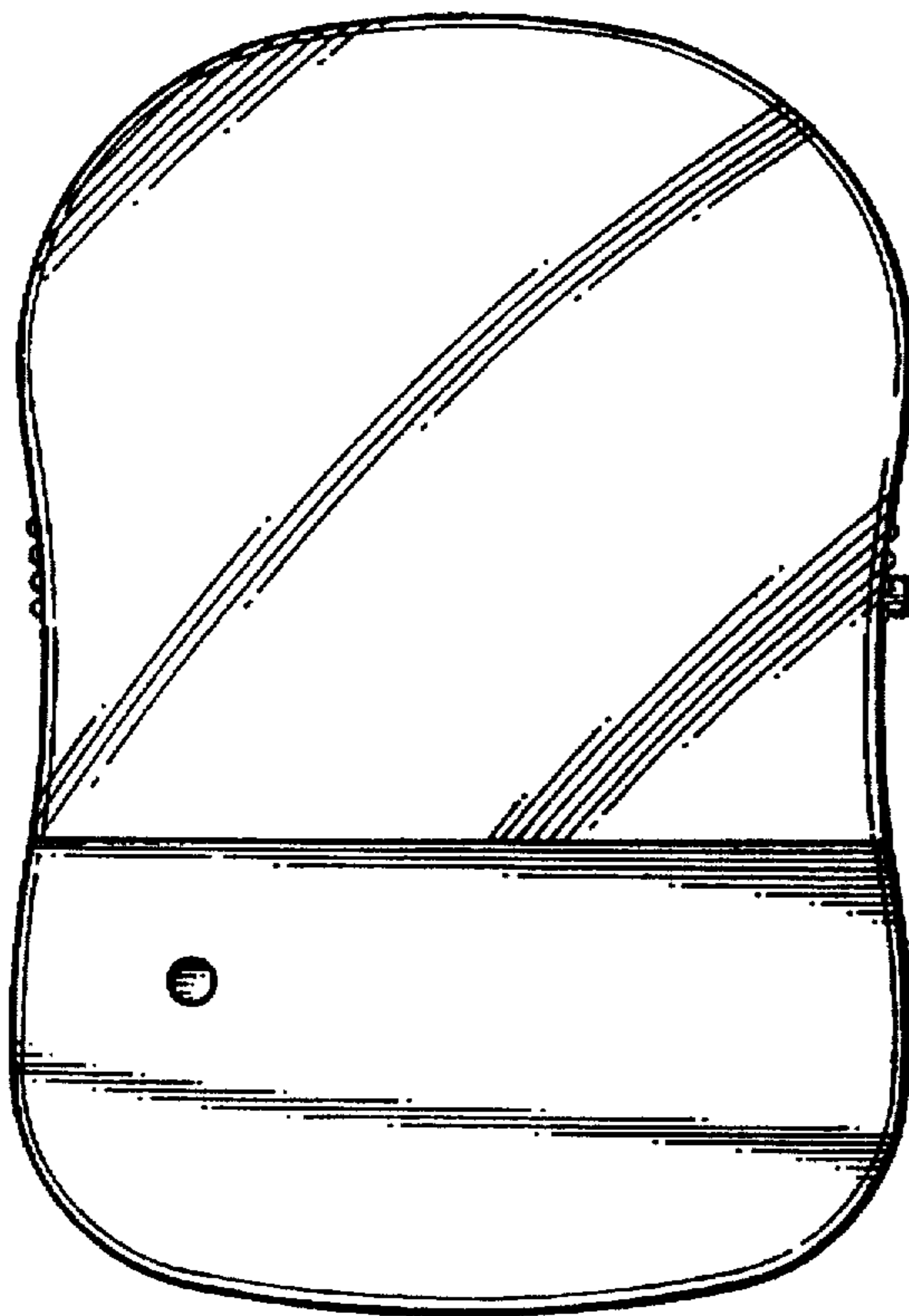


FIG. 3

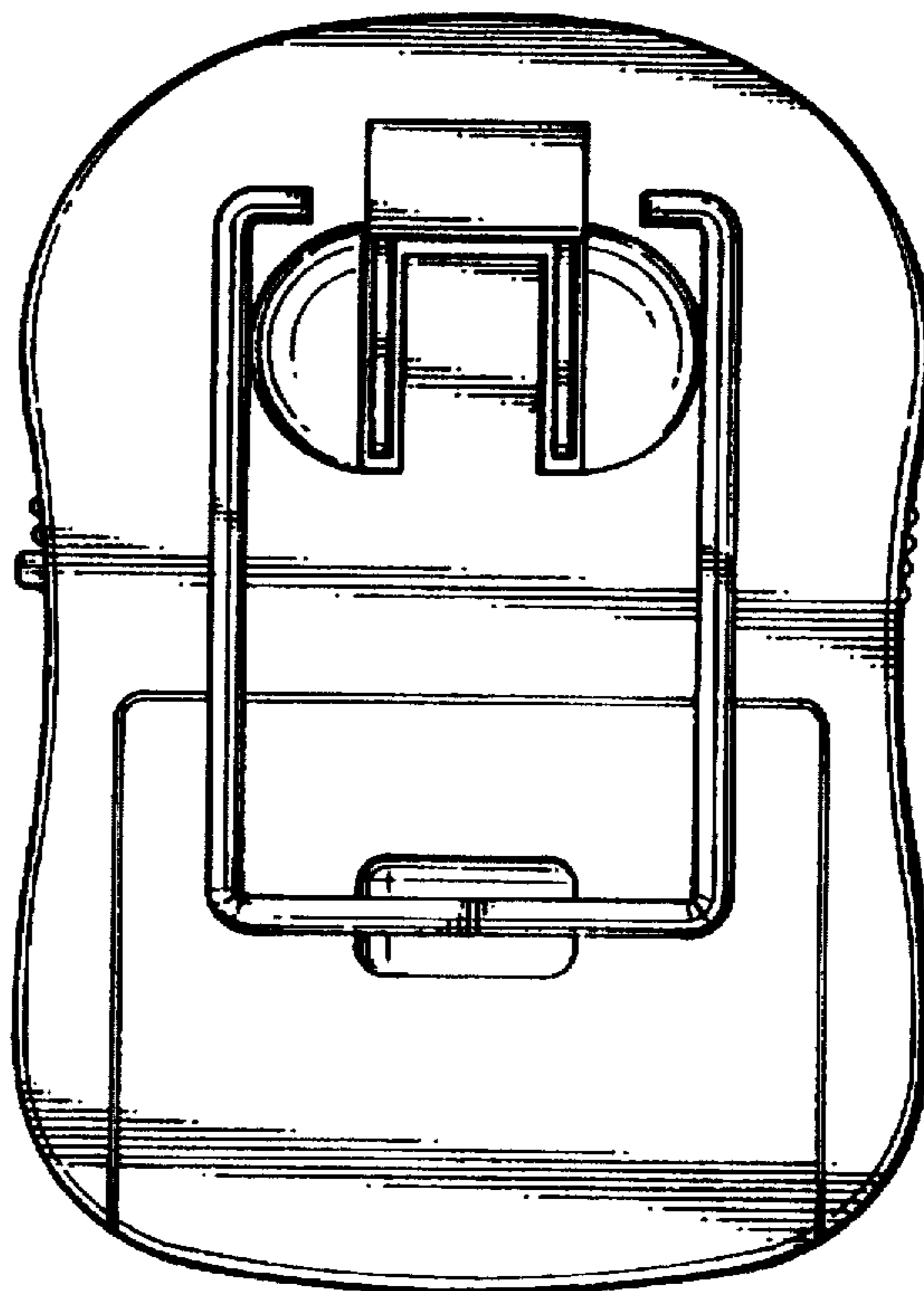


FIG. 4

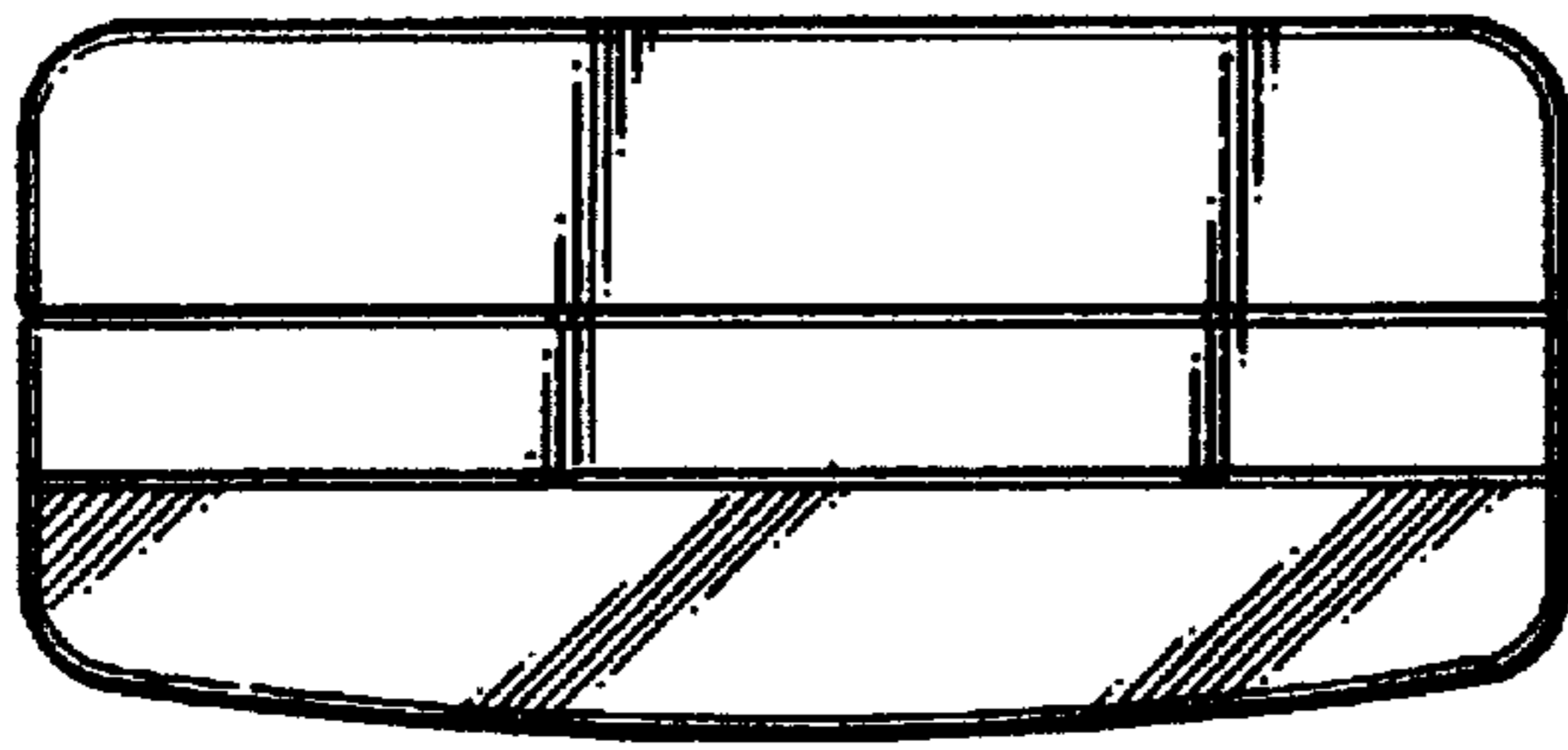


FIG. 7

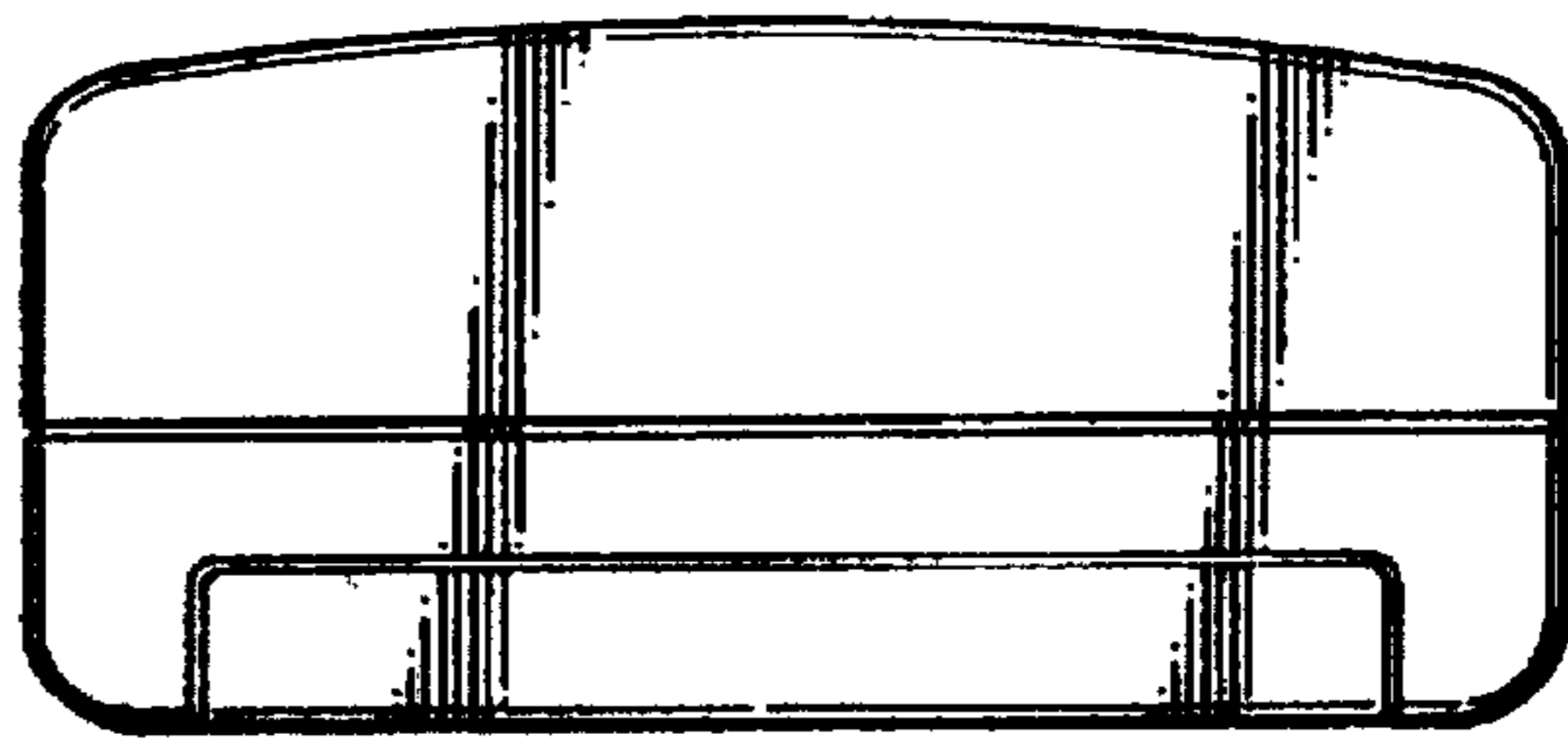


FIG. 8

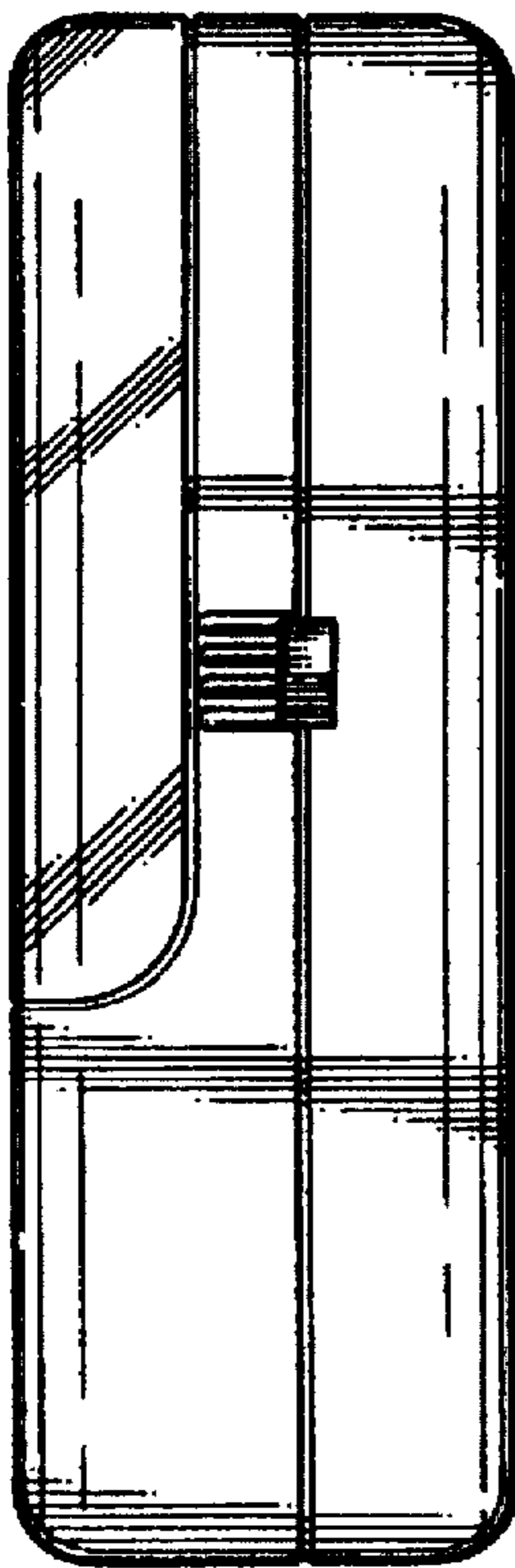


FIG. 5

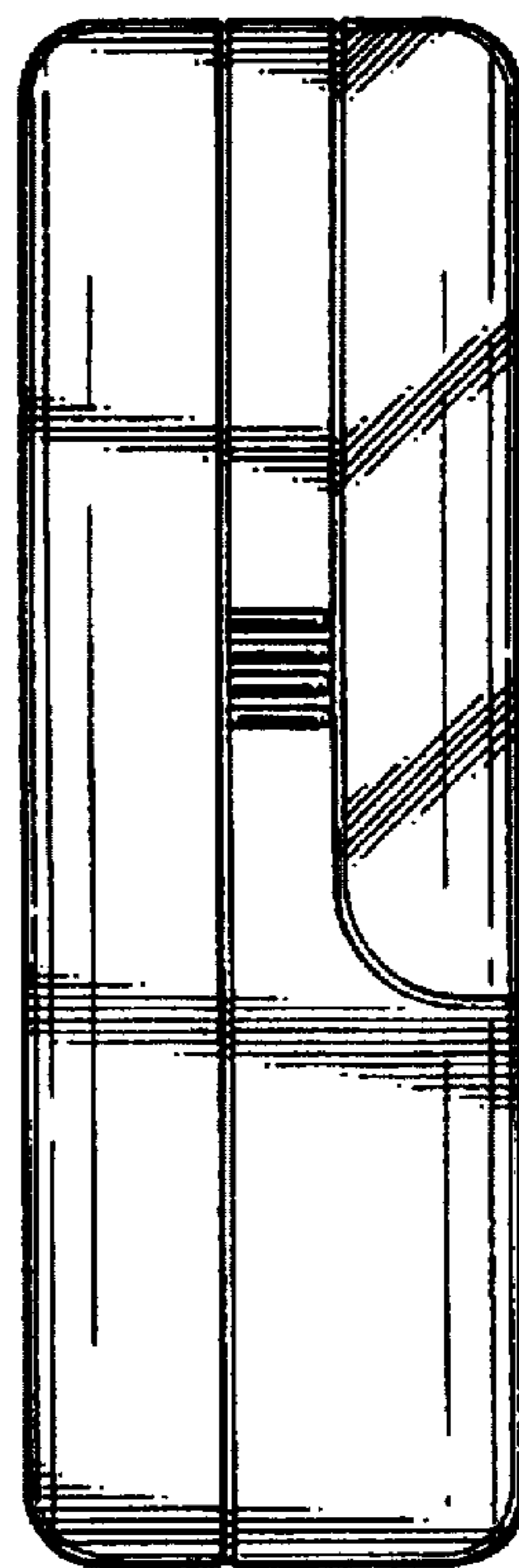


FIG. 6