



US00D384173S

United States Patent [19]
Godyak et al.

[11] **Patent Number: Des. 384,173**
[45] **Date of Patent: **Sep. 23, 1997**

- [54] **ELECTRODELESS COMPACT FLUORESCENT LAMP**
- [75] **Inventors: Valery A. Godyak; Benjamin Alexandrovich, both of Brookline; James N. Lester, Essex, all of Mass.**
- [73] **Assignee: Osram Sylvania Inc., Danvers, Mass.**
- [**] **Term: 14 Years**
- [21] **Appl. No.: 57,205**
- [22] **Filed: Jul. 19, 1996**
- [51] **LOC (6) Cl. 26-04**
- [52] **U.S. Cl. D26/3**
- [58] **Field of Search D26/1, 2, 3, 26; 313/315, 318, 316, 317; 315/58; 362/326-340**

D. 329,710	9/1992	Muller et al.	D26/3
D. 339,646	9/1993	Zim	D26/3
D. 354,146	1/1995	Chamberlain et al.	D26/3
D. 355,496	2/1995	Franck	D26/3
4,410,834	10/1983	Witte et al.	315/58

Primary Examiner—Marcus A. Jackson
Attorney, Agent, or Firm—Carlo S. Bessone

[57] **CLAIM**

The ornamental design for an electrodeless compact fluorescent lamp, as shown and described.

DESCRIPTION

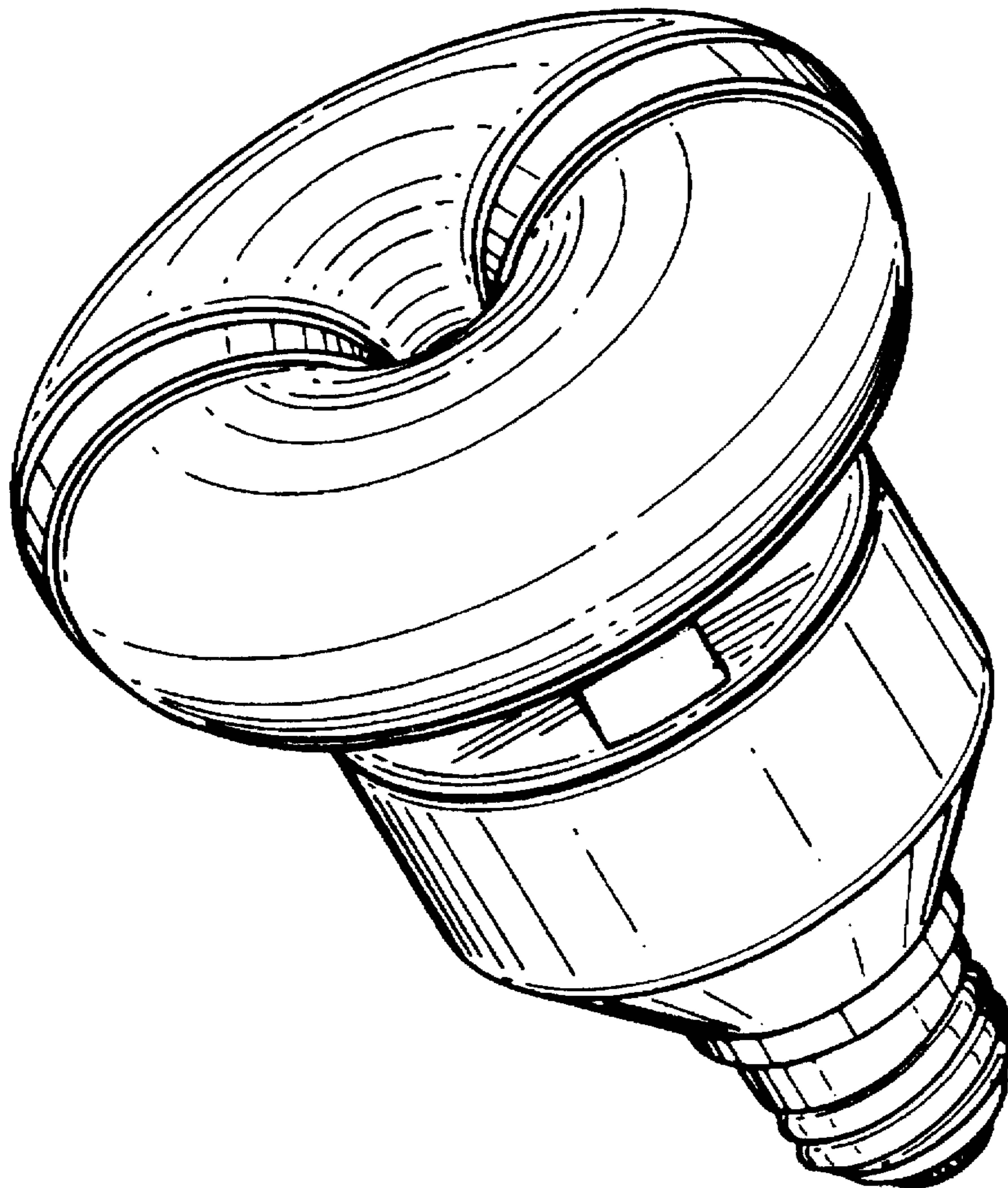
FIG. 1 is a perspective view of an electrodeless compact fluorescent lamp showing our new design; FIG. 2 is a front elevational view thereof, the rear being a mirror image; FIG. 3 is a side elevational view thereof, the opposite side being a mirror image; FIG. 4 is a top plan view thereof; and, FIG. 5 is a bottom plan view thereof.

[56] **References Cited**

U.S. PATENT DOCUMENTS

D. 232,641	9/1974	Katz et al.	D26/8
D. 286,914	11/1986	Bedel	D26/3

1 Claim, 4 Drawing Sheets



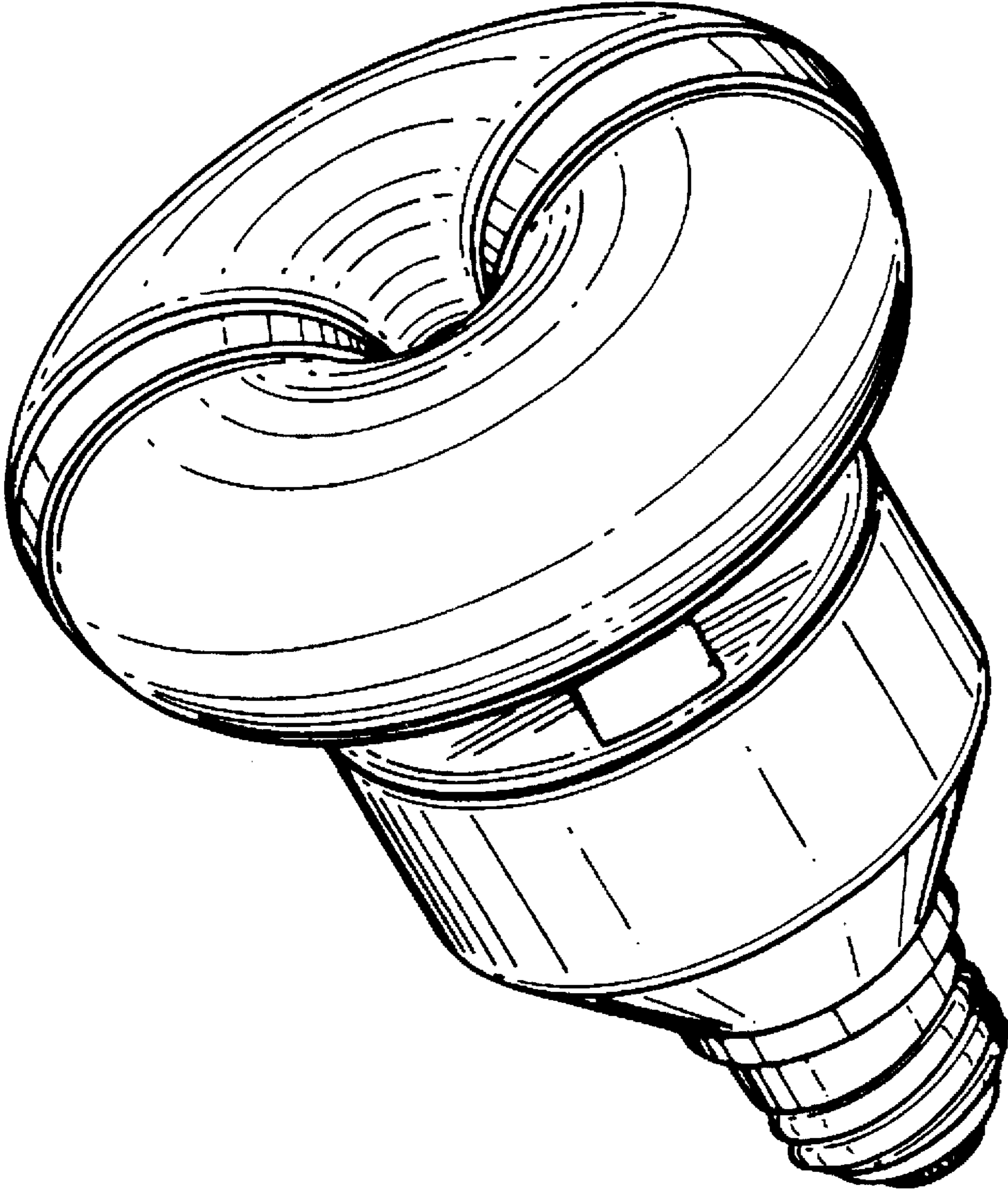


FIG. 1

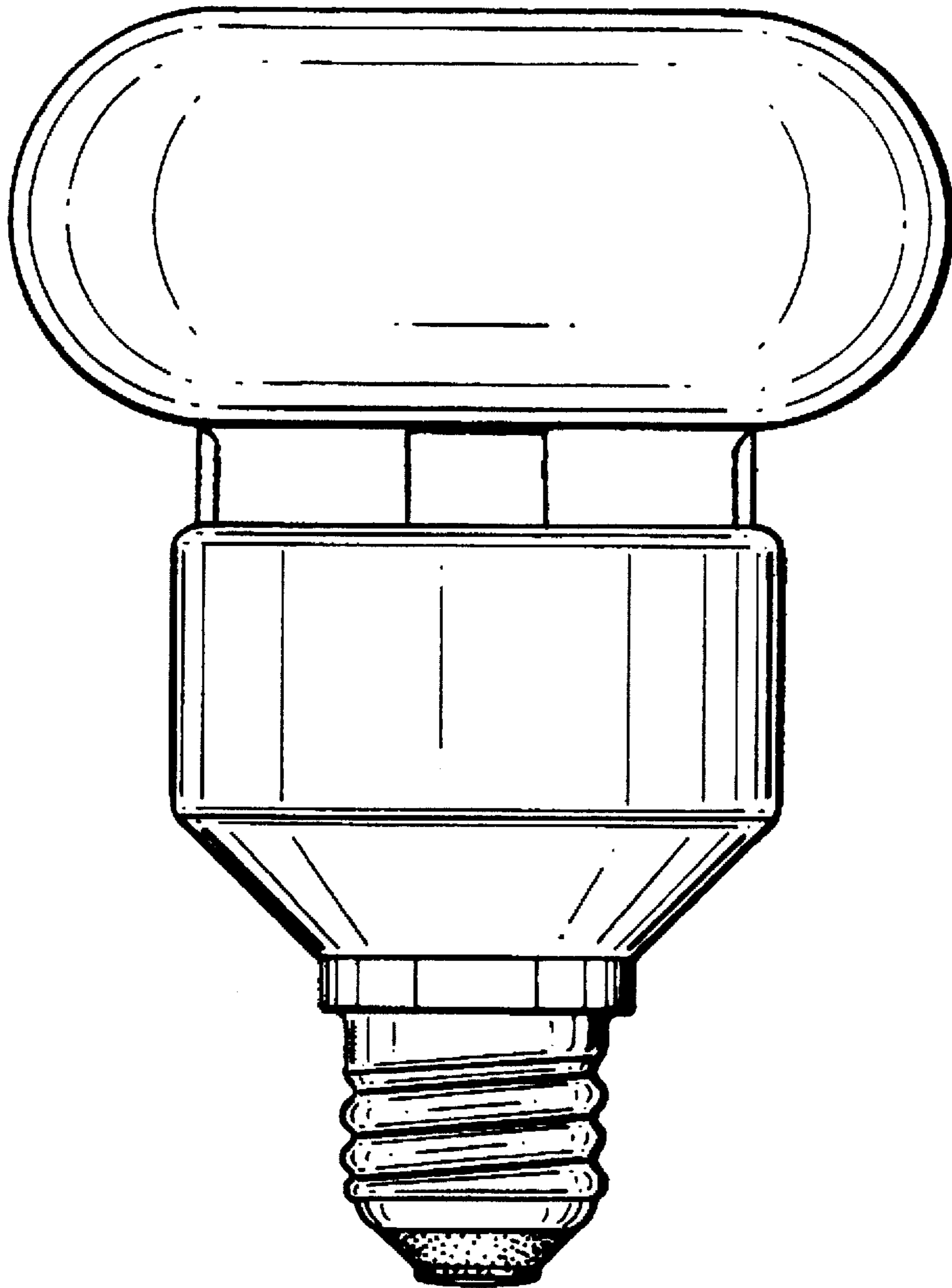


FIG. 2

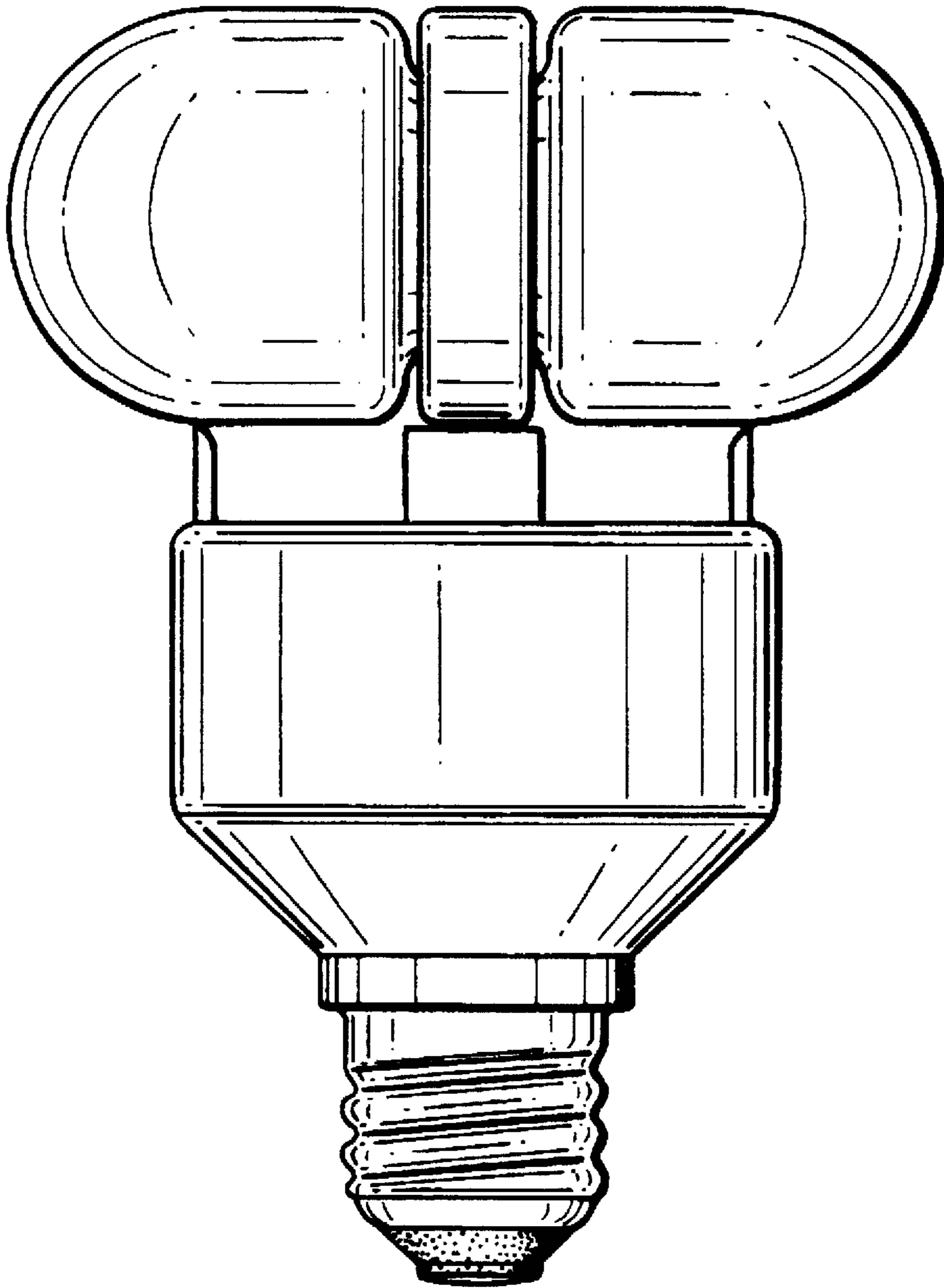


FIG. 3

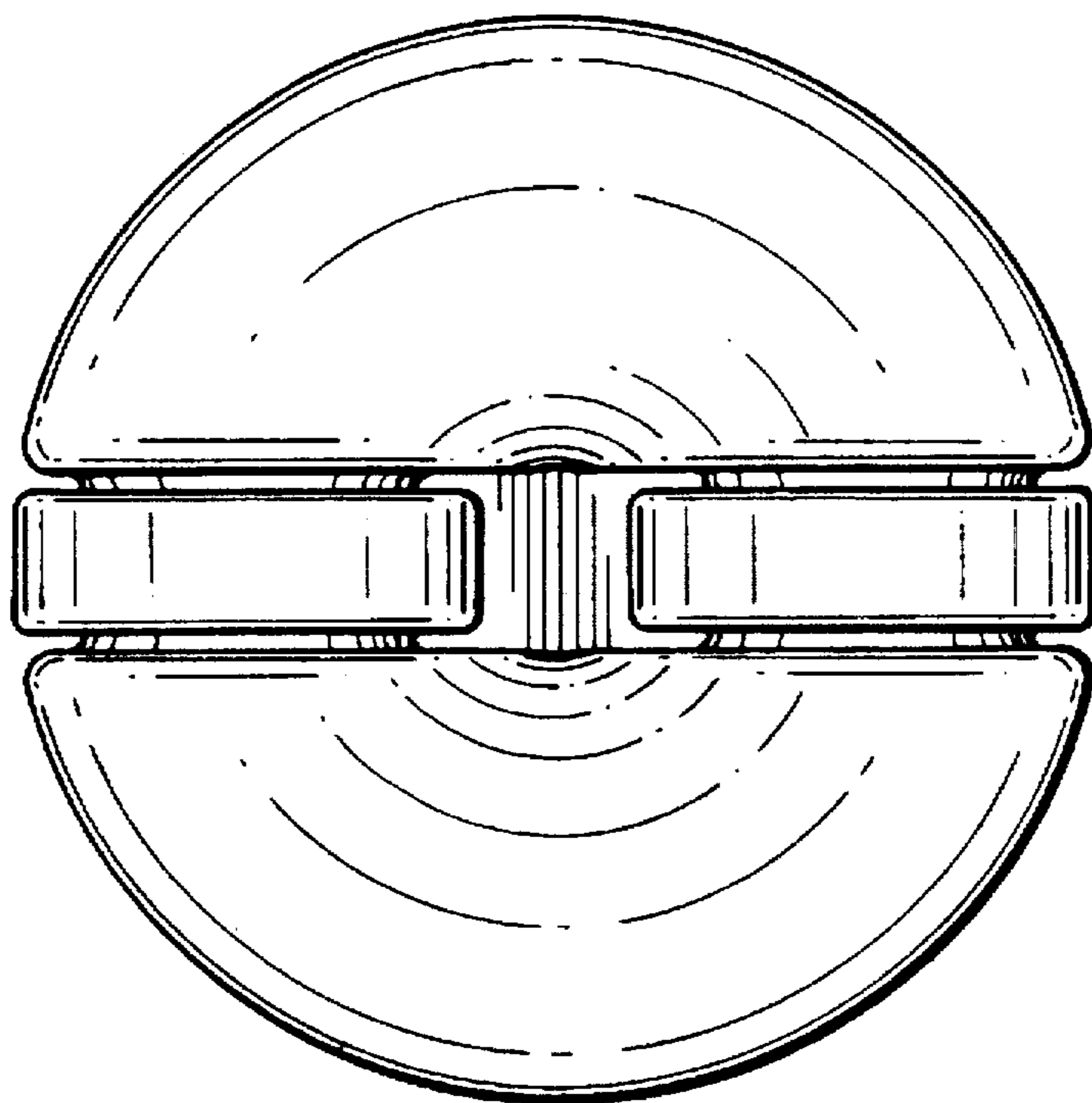


FIG. 4

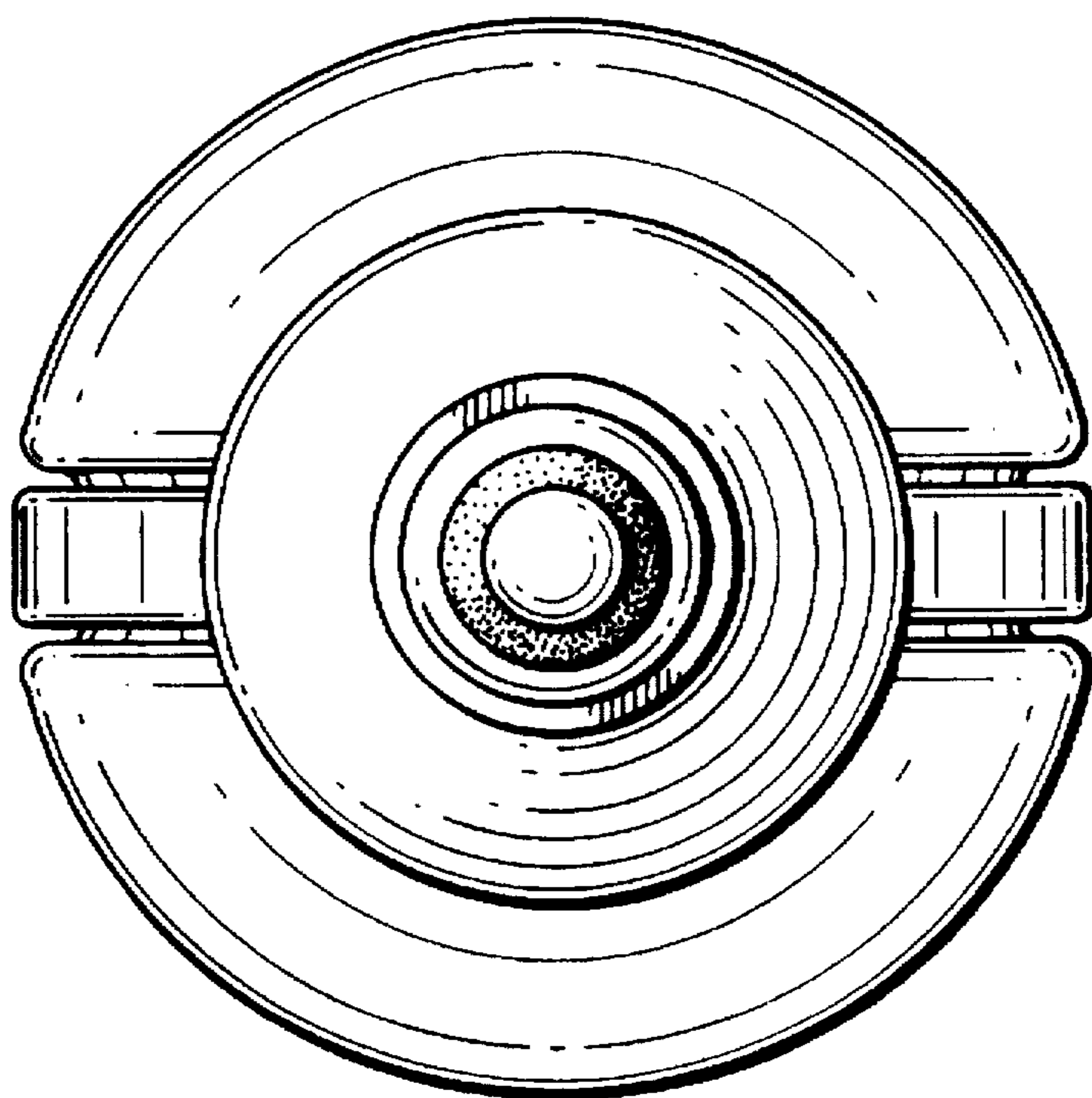


FIG. 5