



US00D384166S

United States Patent [19]

Coates

[11] Patent Number: **Des. 384,166**

[45] Date of Patent: ****Sep. 23, 1997**

[54] **COMBINED WINDOW VENTILATOR AND RAIN CATCHER**

[76] Inventor: **Lloyd Coates, P.O. Box 1838, Weaverille, N.C. 28787**

[**] Term: **14 Years**

[21] Appl. No.: **58,641**

[22] Filed: **Aug. 13, 1996**

[51] LOC (6) Cl. **25-02**

[52] U.S. Cl. **D25/52**

[56] **References Cited**

U.S. PATENT DOCUMENTS

1,914,728	6/1933	Plym .	
2,120,730	6/1938	Chernosky .	
2,129,397	9/1938	Bailey	D25/52
2,376,230	5/1945	Coffed	454/211
2,460,760	2/1949	Mazza .	
2,595,570	5/1952	Ferris .	
2,648,107	8/1953	Bates, Jr. .	
2,657,624	11/1953	Wittenberg .	
2,701,515	2/1955	Rinker .	
3,084,737	4/1963	Stevens	454/196
3,302,324	2/1967	MacDonald et al. .	

3,325,038	6/1967	Ferney .
3,879,891	4/1975	Jones, III .
4,048,754	9/1977	Laux .
4,052,816	10/1977	Perez .
4,064,666	12/1977	Kinlaw .
5,191,746	3/1993	Russell .

*Primary Examiner—Doris Clark
Attorney, Agent, or Firm—Carter & Schnedler*

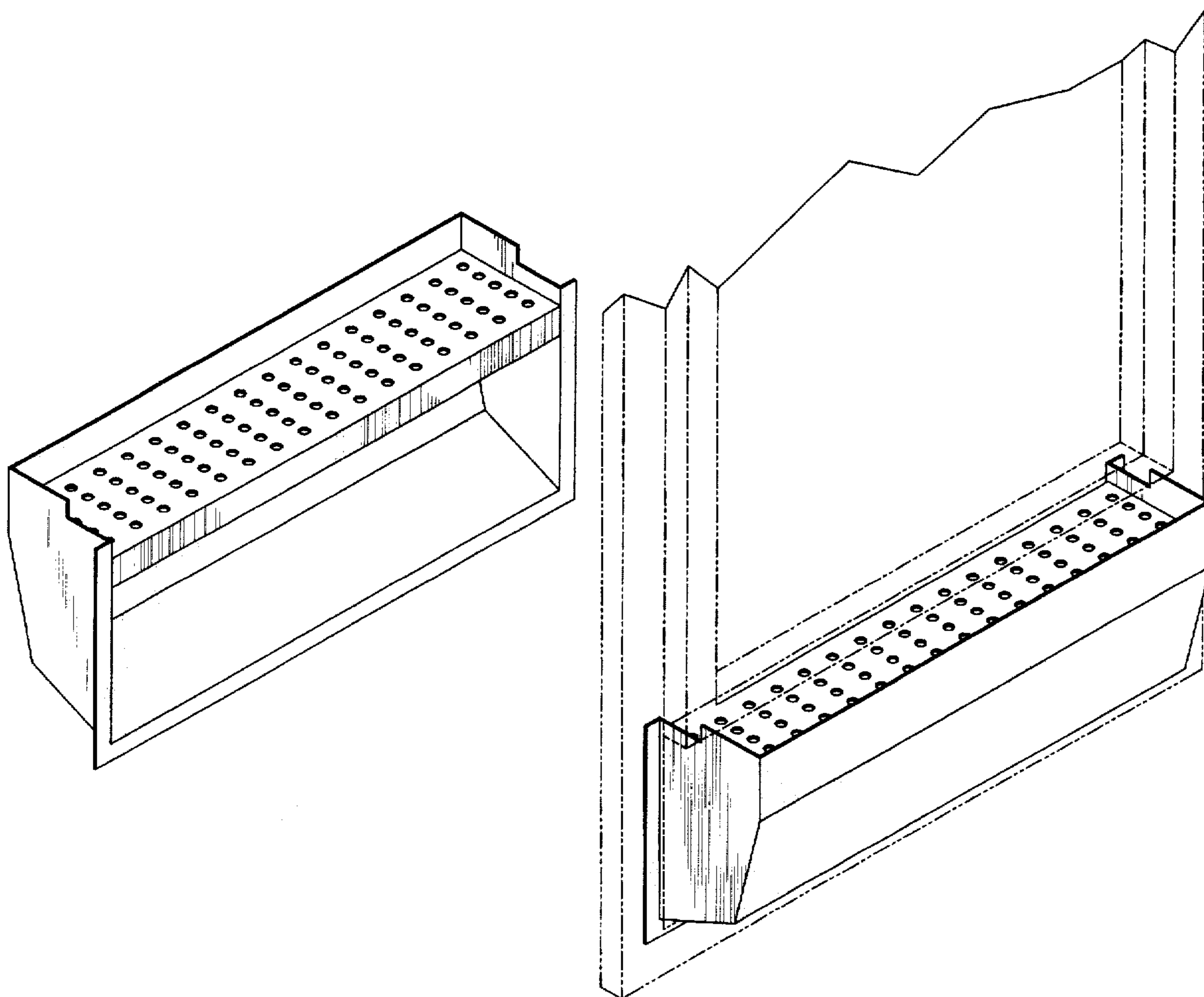
[57] **CLAIM**

The ornamental design for a combined window ventilator and rain catcher, as shown.

DESCRIPTION

FIG. 1 is a front perspective view of a combined window ventilator and rain catcher showing my new design; FIG. 2 is a front elevational view thereof; FIG. 3 is a rear elevational view thereof; FIG. 4 is a left side elevational view thereof; FIG. 5 is a right side elevational view thereof; FIG. 6 is a top view thereof; FIG. 7 is a bottom view thereof; and, FIG. 8 is a rear perspective view thereof inserted between a window and a window sill shown in phantom for illustrative purposes only, and forms no part of the claimed design.

1 Claim, 4 Drawing Sheets



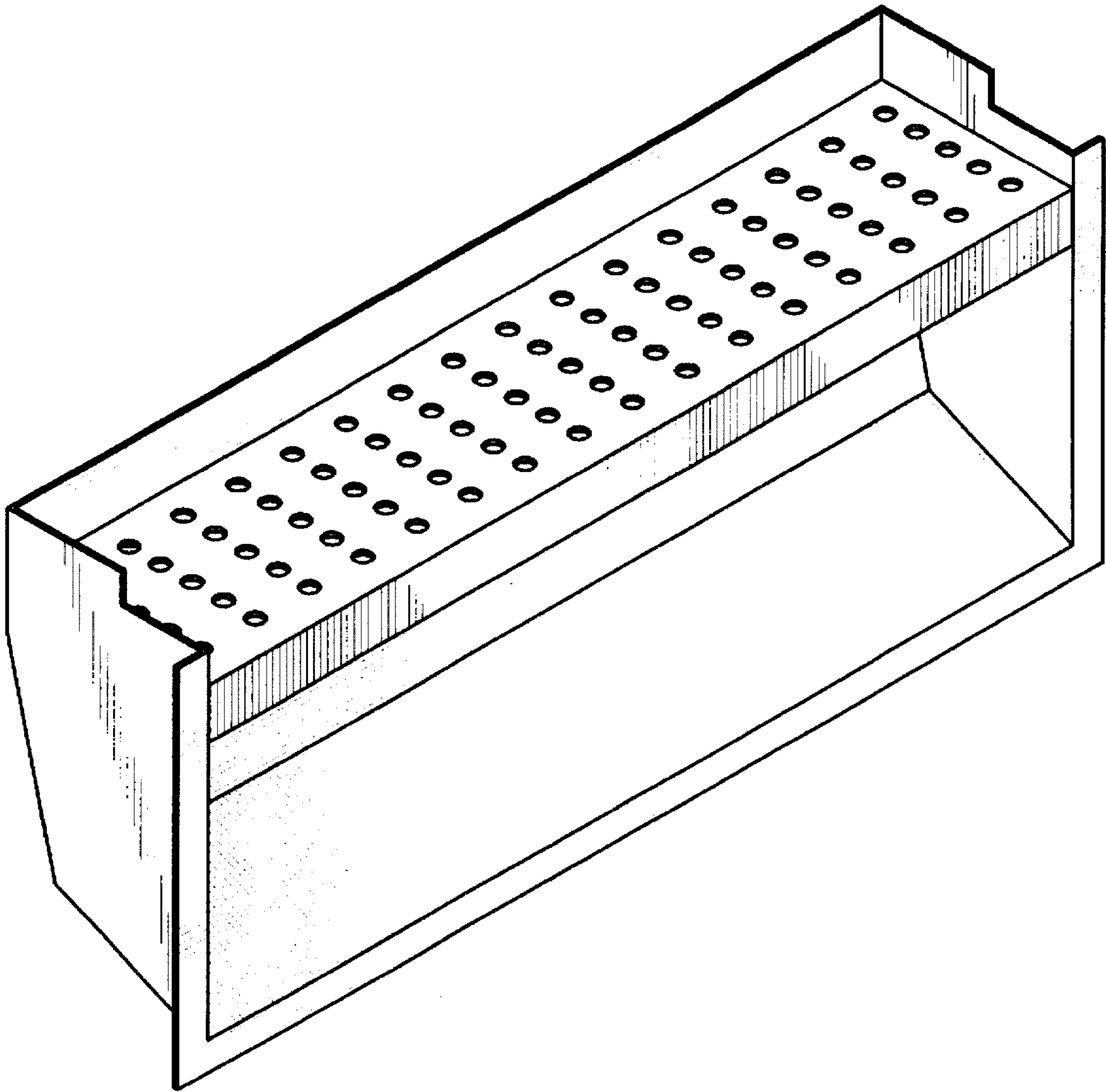


Fig. 1

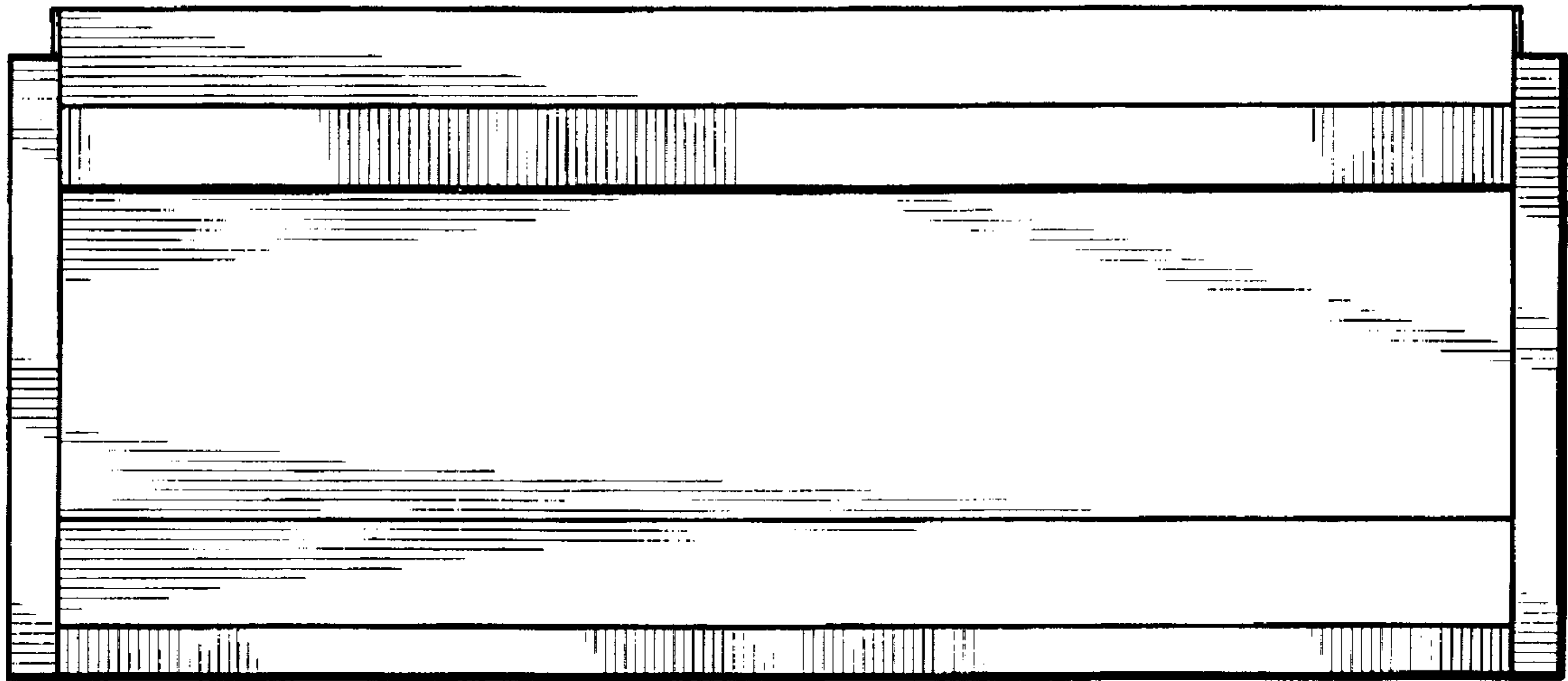


Fig. 2

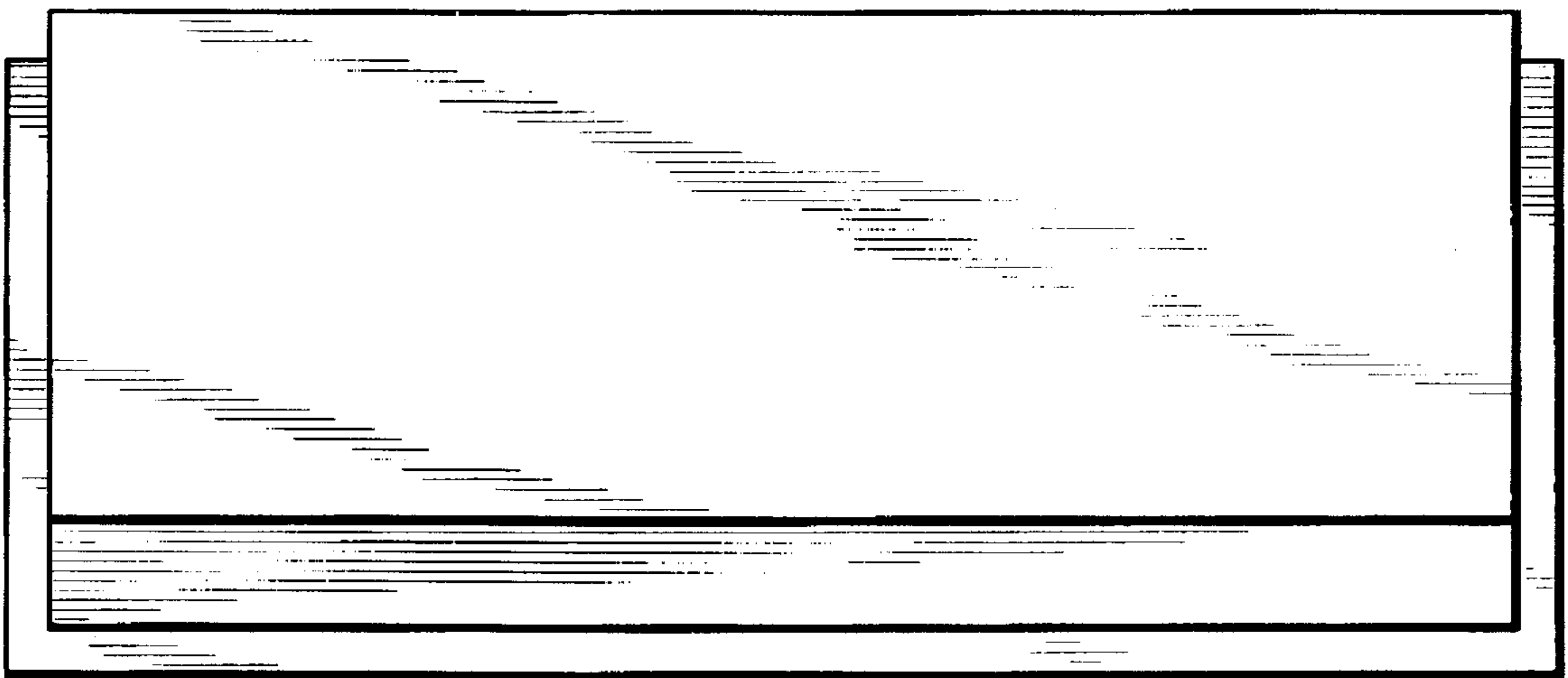


Fig. 3

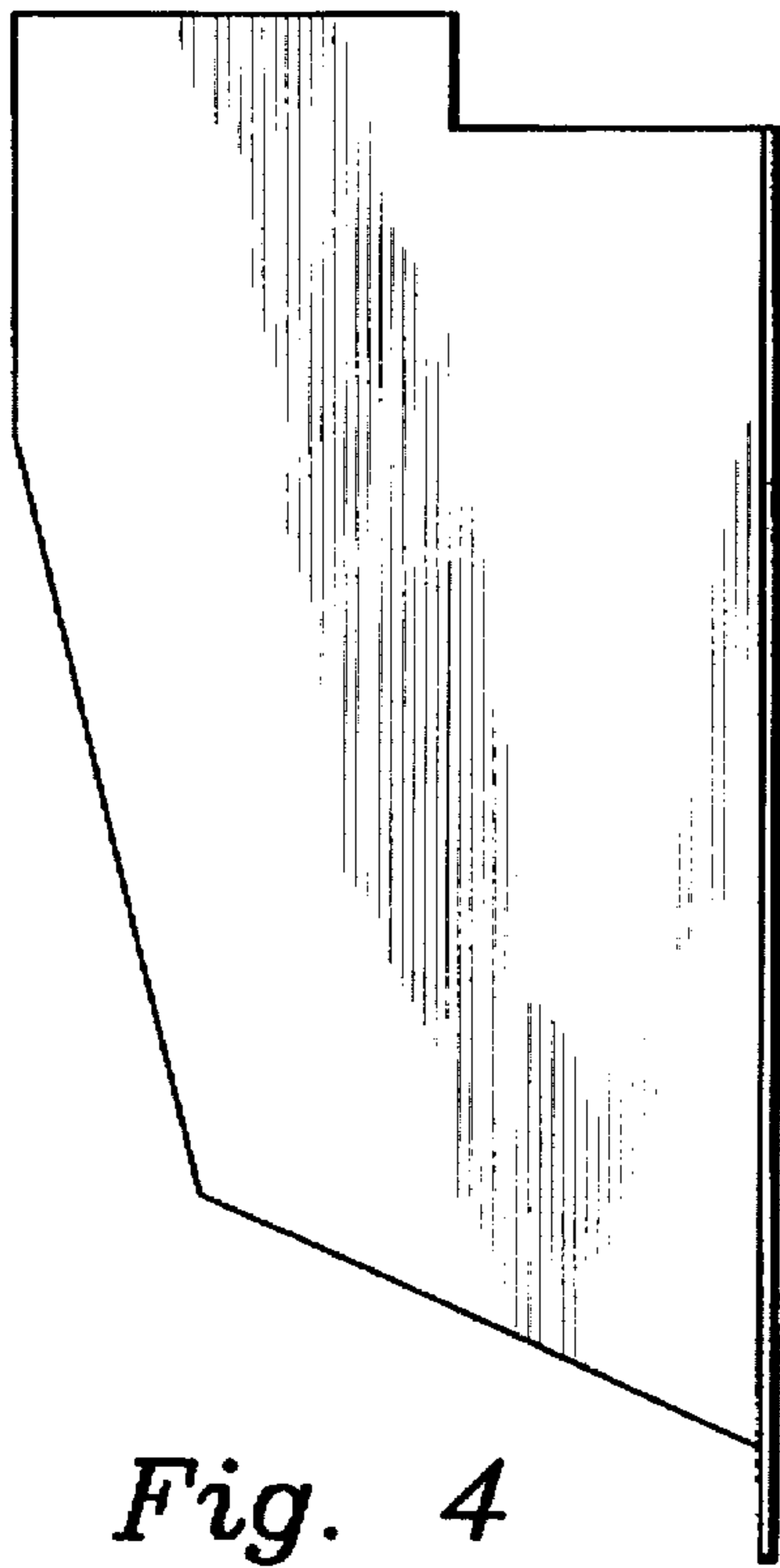


Fig. 4

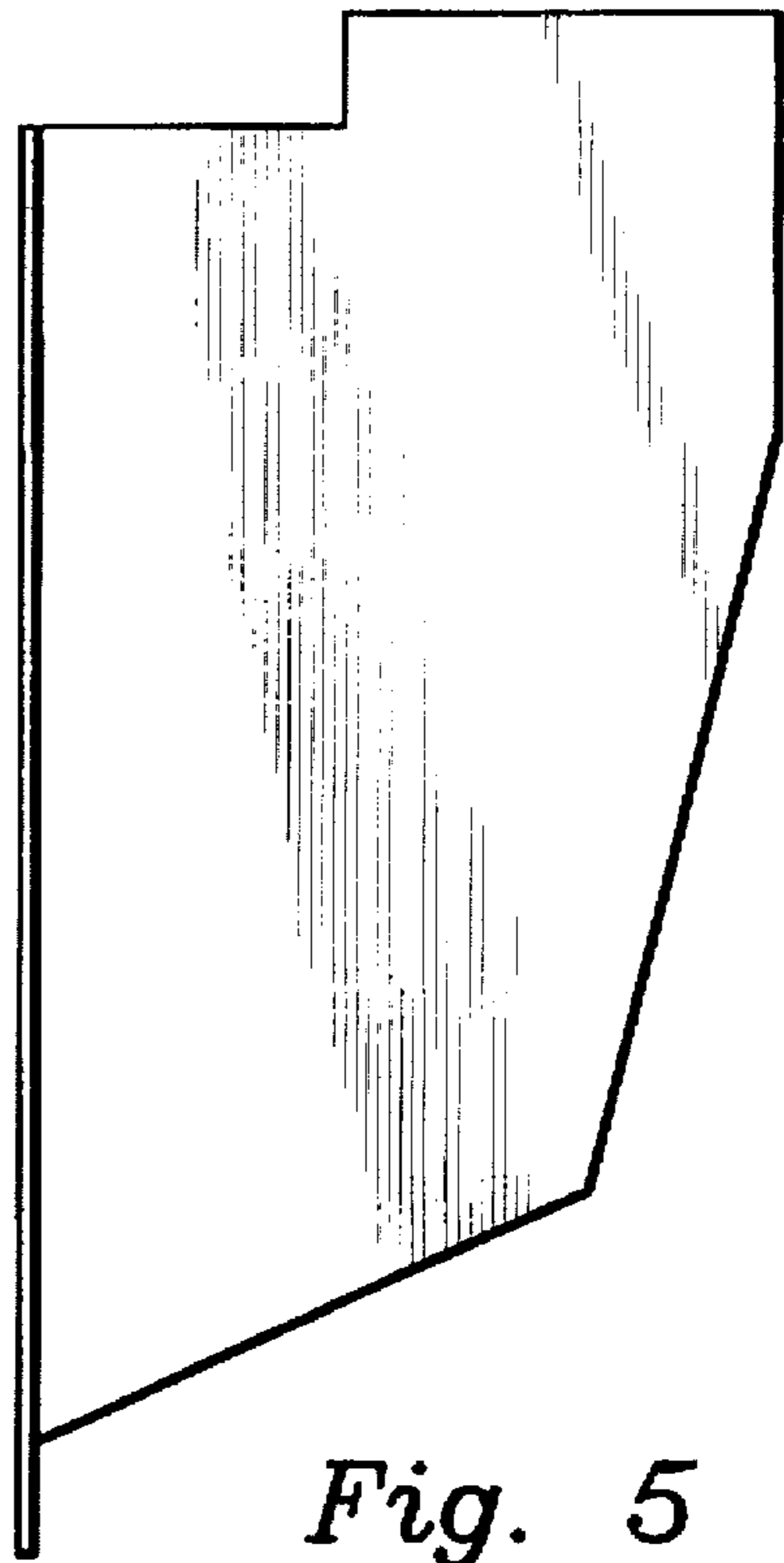


Fig. 5

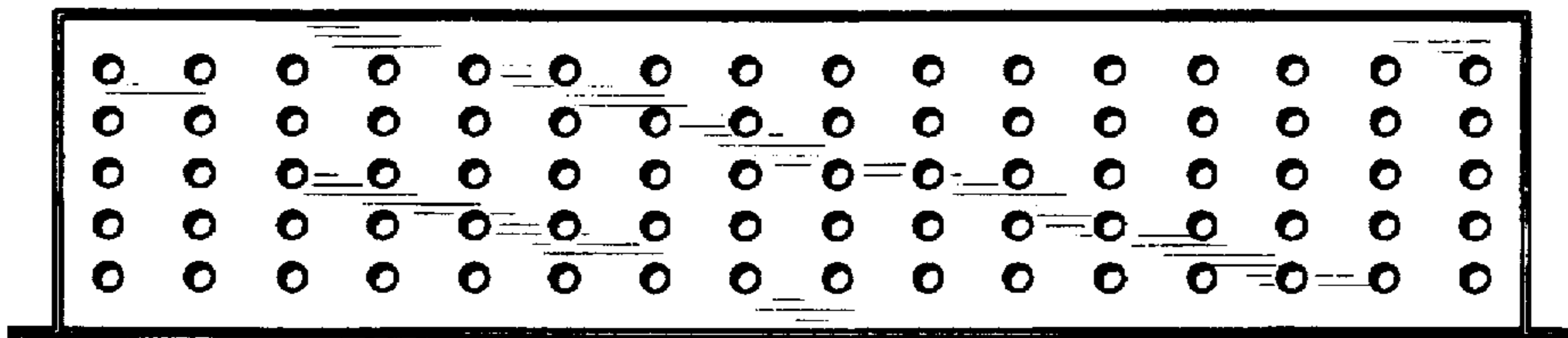


Fig. 6

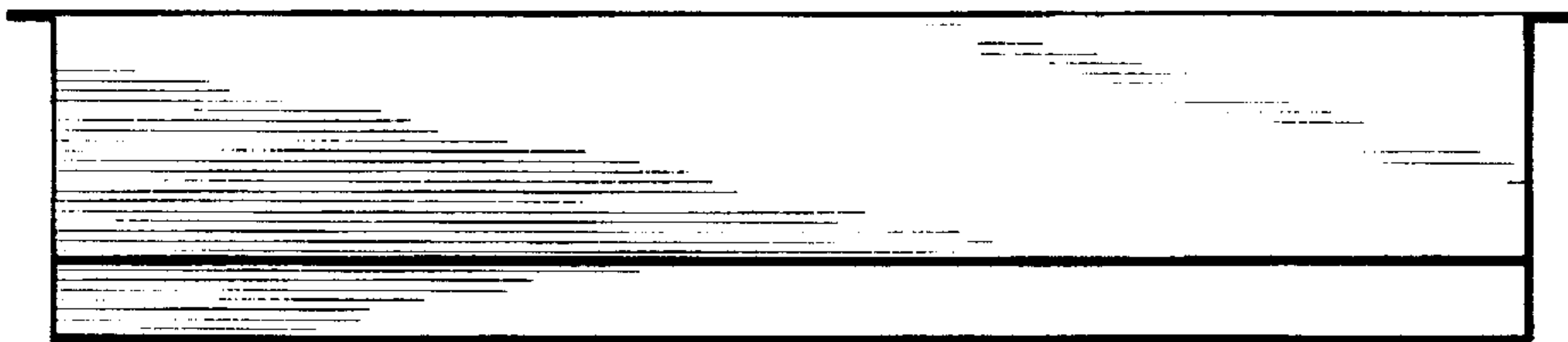


Fig. 7

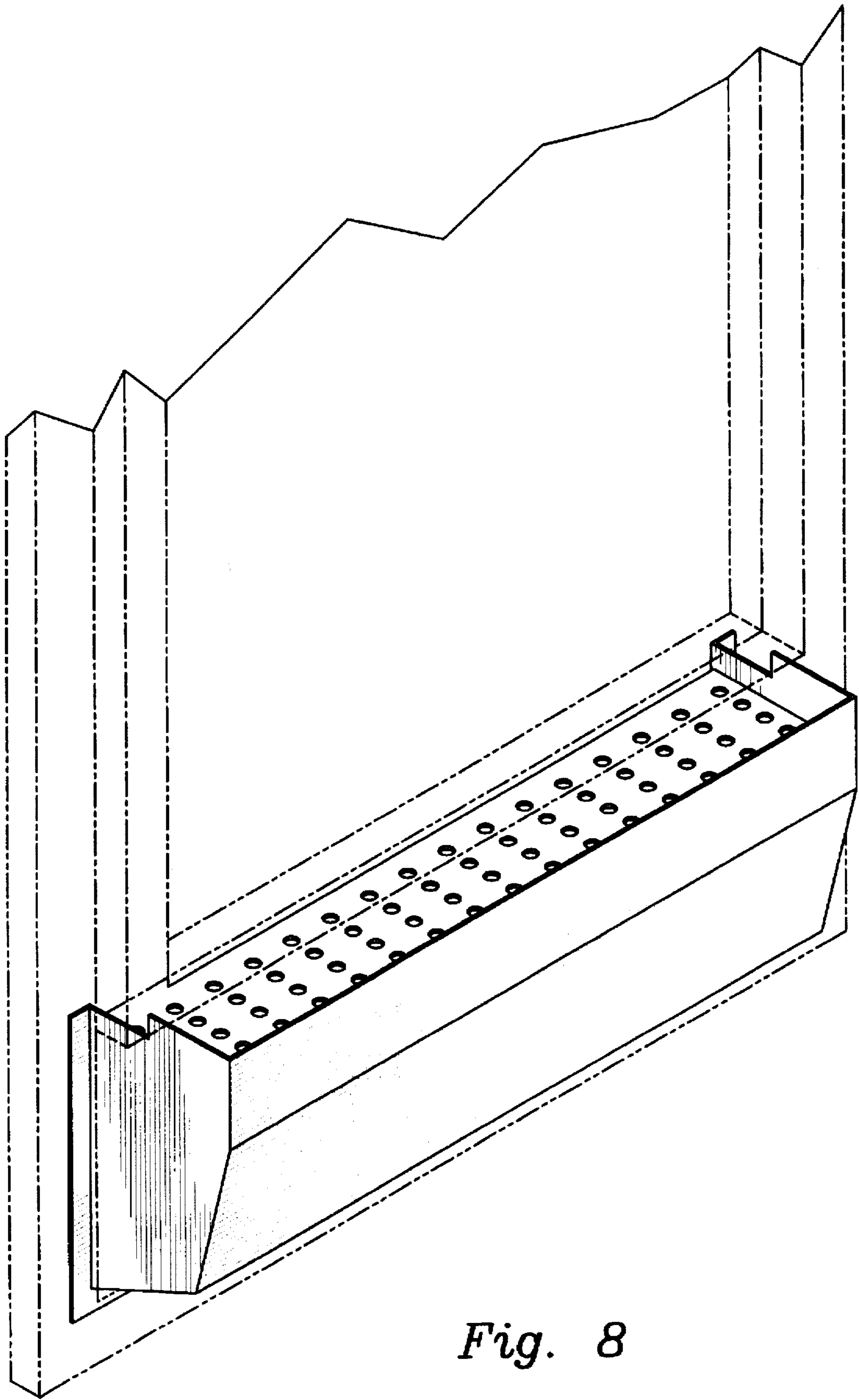


Fig. 8