

US00D384165S

**United States Patent** [19]  
**Suciu**

[11] **Patent Number: Des. 384,165**  
[45] **Date of Patent: \*\*Sep. 23, 1997**

[54] **WINDMILL**

[76] **Inventor: Emil Suciu, 66 Judith Cres., Brampton, Ontario, Canada, L6S 3J4**

[\*\*] **Term: 14 Years**

[21] **Appl. No.: 58,438**

[22] **Filed: Aug. 15, 1996**

[51] **LOC (6) Cl. .... 25-03**

[52] **U.S. Cl. .... D25/1**

[58] **Field of Search ..... D25/1; 416/197 A, 416/197 R, 176, 244 R, 245 A**

[56] **References Cited**

**U.S. PATENT DOCUMENTS**

- D. 336,762 6/1993 Miller ..... D25/1
- 4,364,709 12/1982 Tornquist ..... 416/197 A
- 5,454,694 10/1995 O'Dell ..... 416/197 A

*Primary Examiner—Doris Clark*  
*Attorney, Agent, or Firm—Barrigar & Moss*

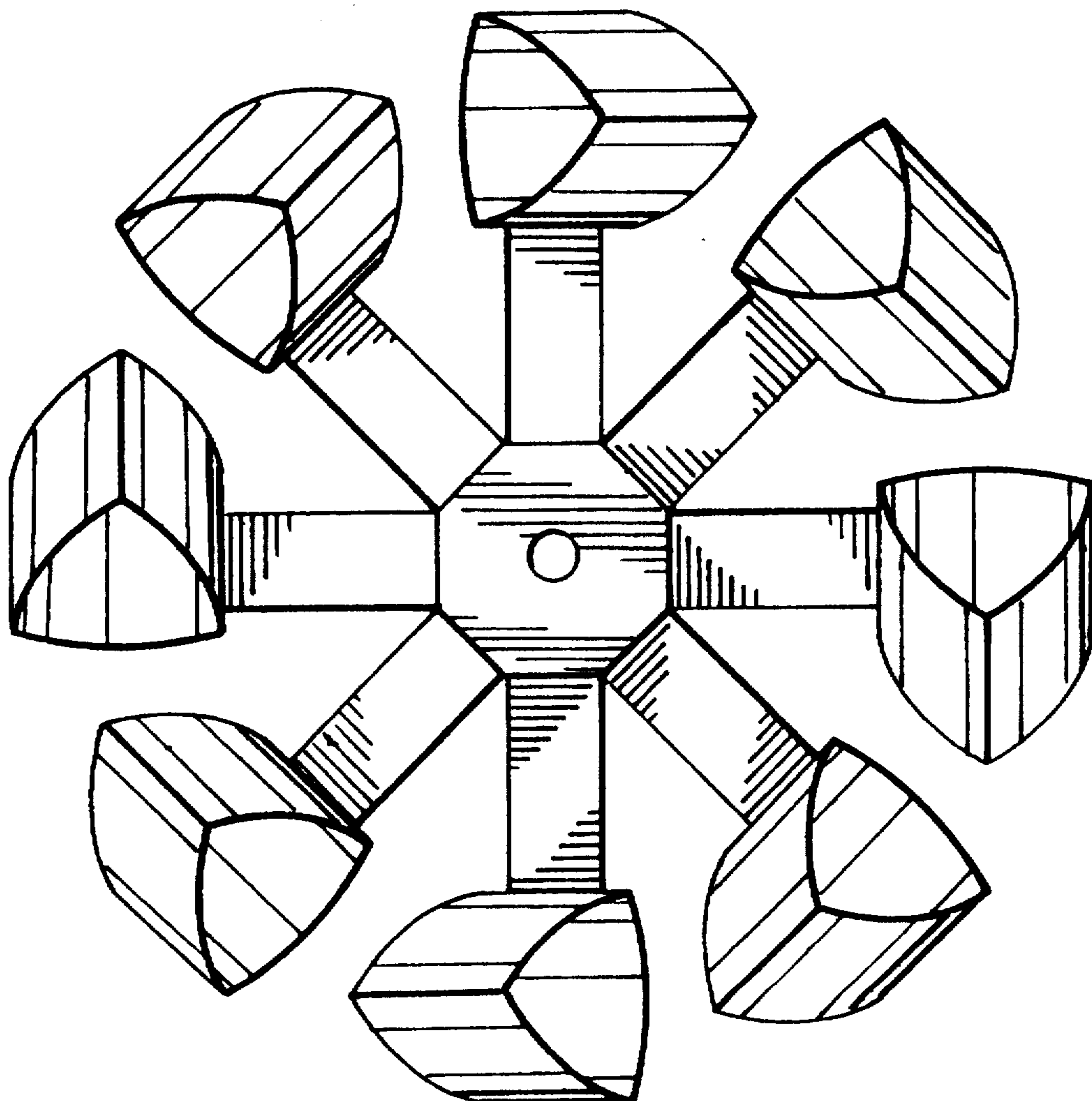
[57] **CLAIM**

The ornamental design for a windmill, as shown and described.

**DESCRIPTION**

FIG. 1 is a front view of a first embodiment of the windmill;  
 FIG. 2 is a rear view of said first embodiment of the windmill;  
 FIG. 3 is a side view of said first embodiment of the windmill, the other side views being identical;  
 FIG. 4 is a front view of a second embodiment of the windmill;  
 FIG. 5 is a rear view of said second embodiment of the windmill;  
 FIG. 6 is a side view of said second embodiment of the windmill, the other side views being identical;  
 FIG. 7 is a front view of a third embodiment of the windmill;  
 FIG. 8 is a rear view of said third embodiment of the windmill; and,  
 FIG. 9 is a side view of said third embodiment of the windmill, the other side views being identical.

**1 Claim, 4 Drawing Sheets**



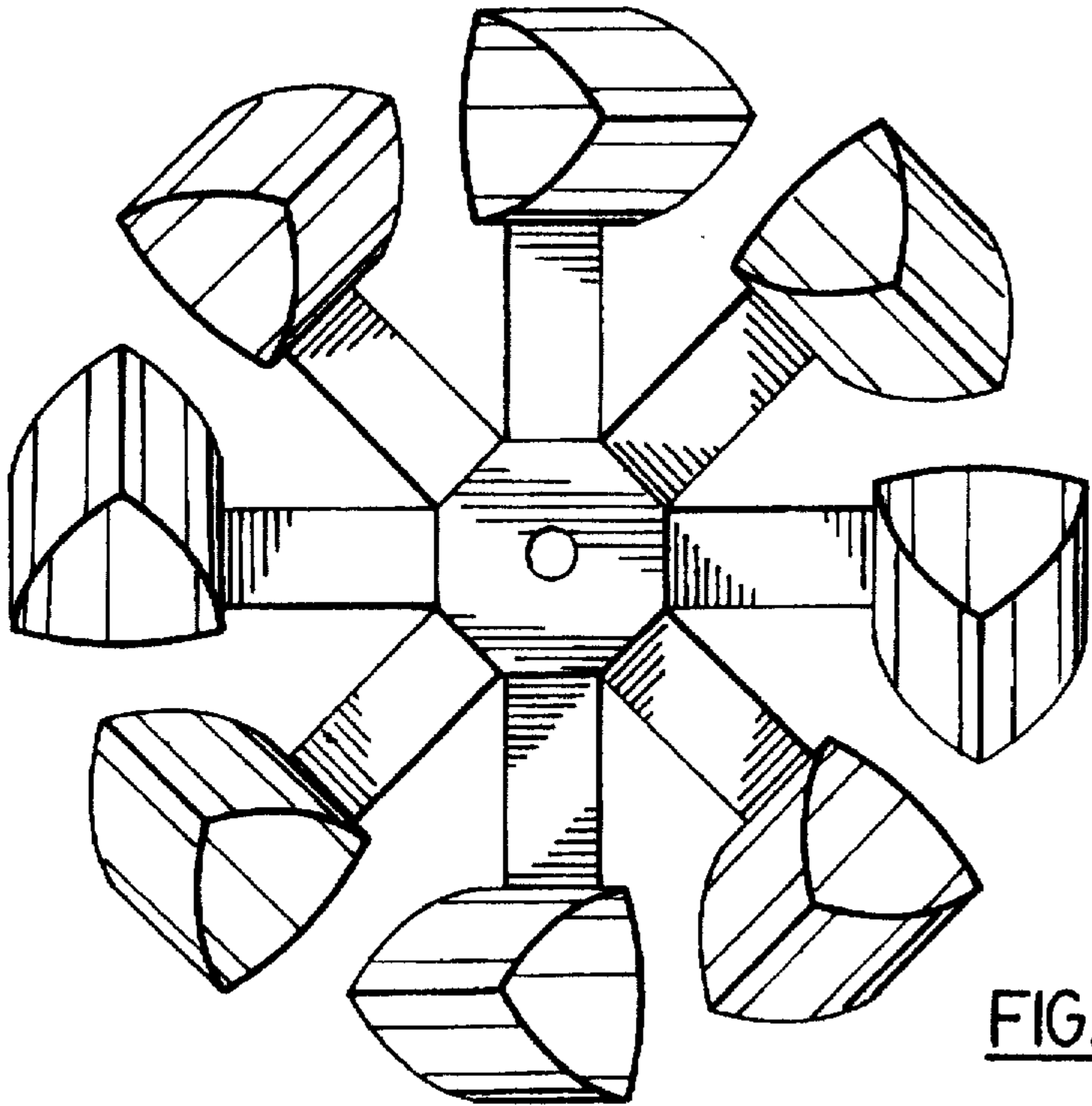


FIG. 1

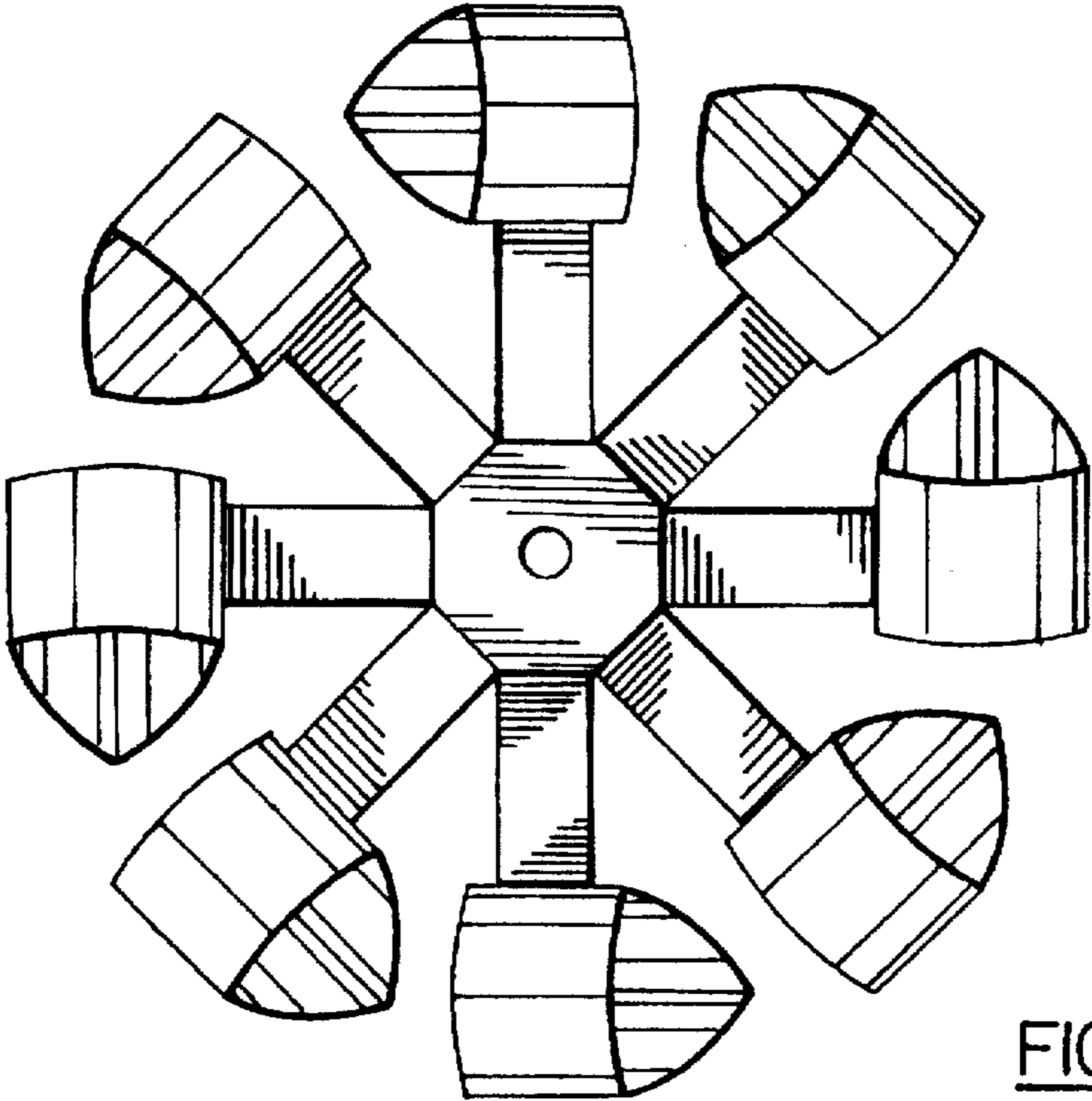


FIG. 2

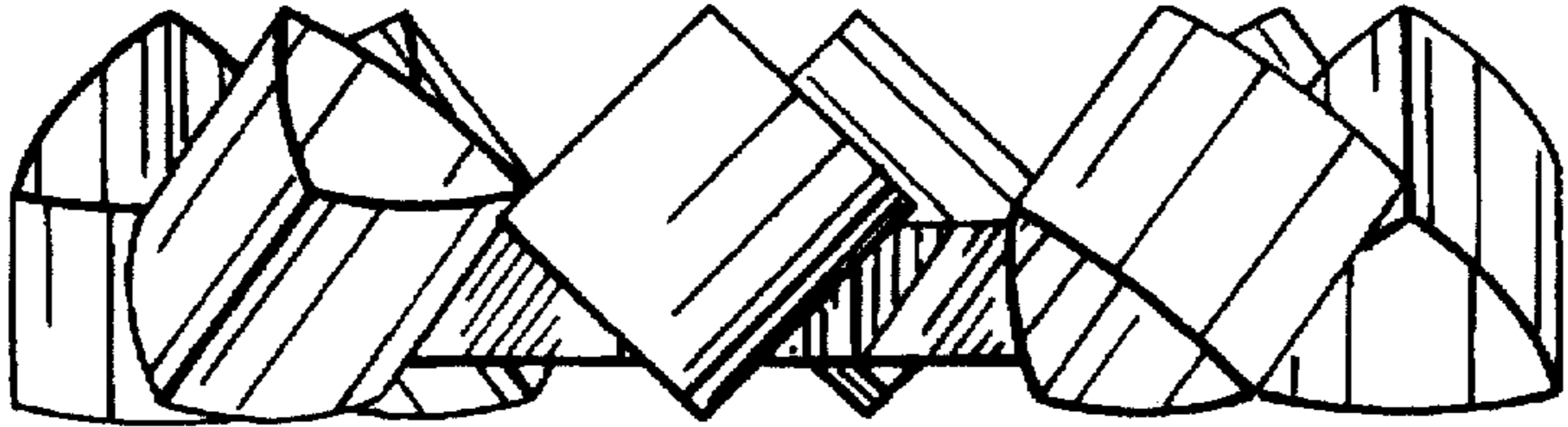


FIG. 3

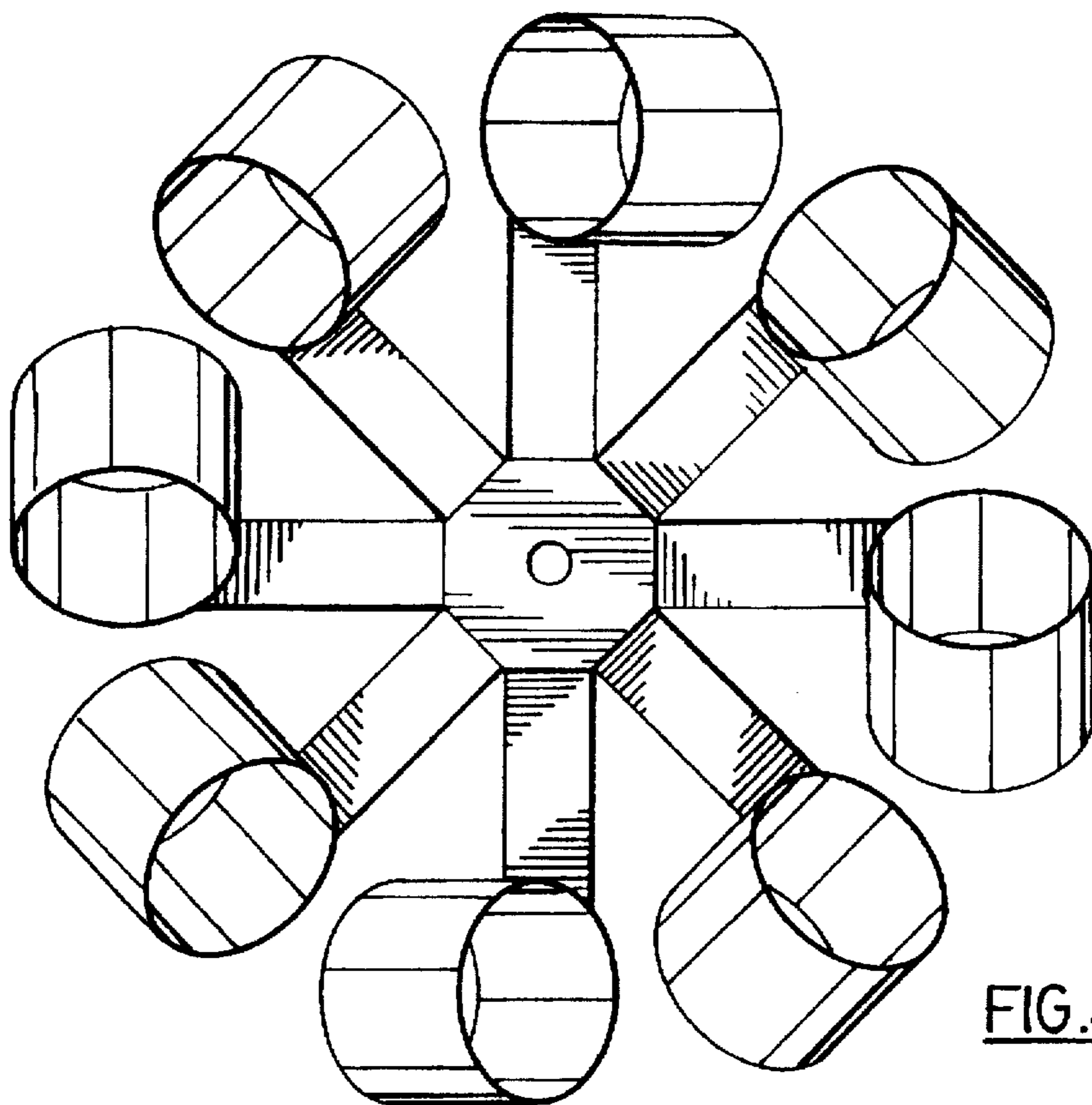


FIG. 4

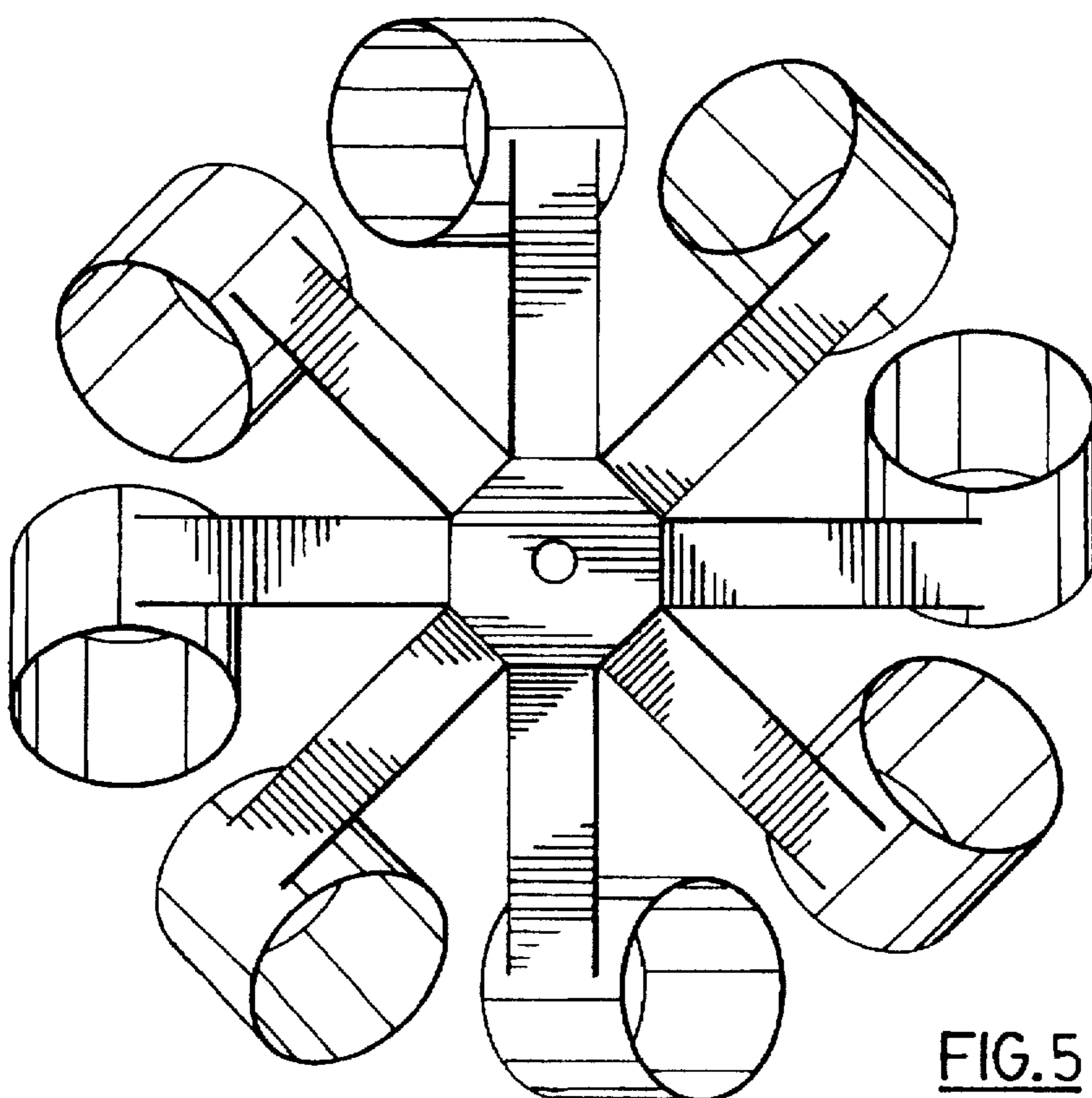


FIG. 5

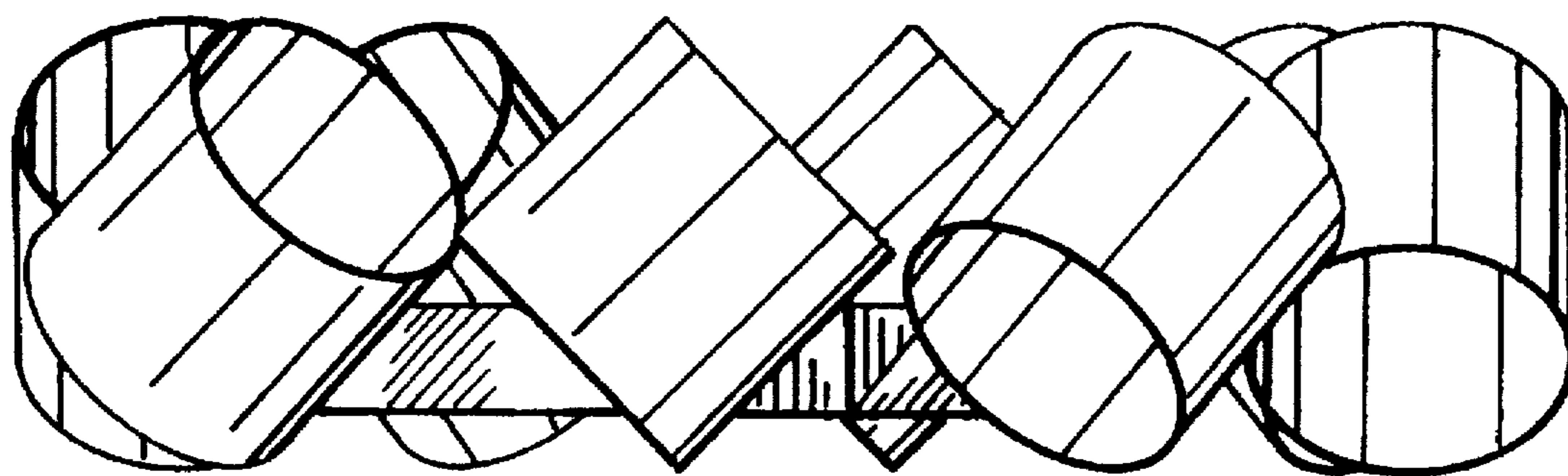


FIG. 6

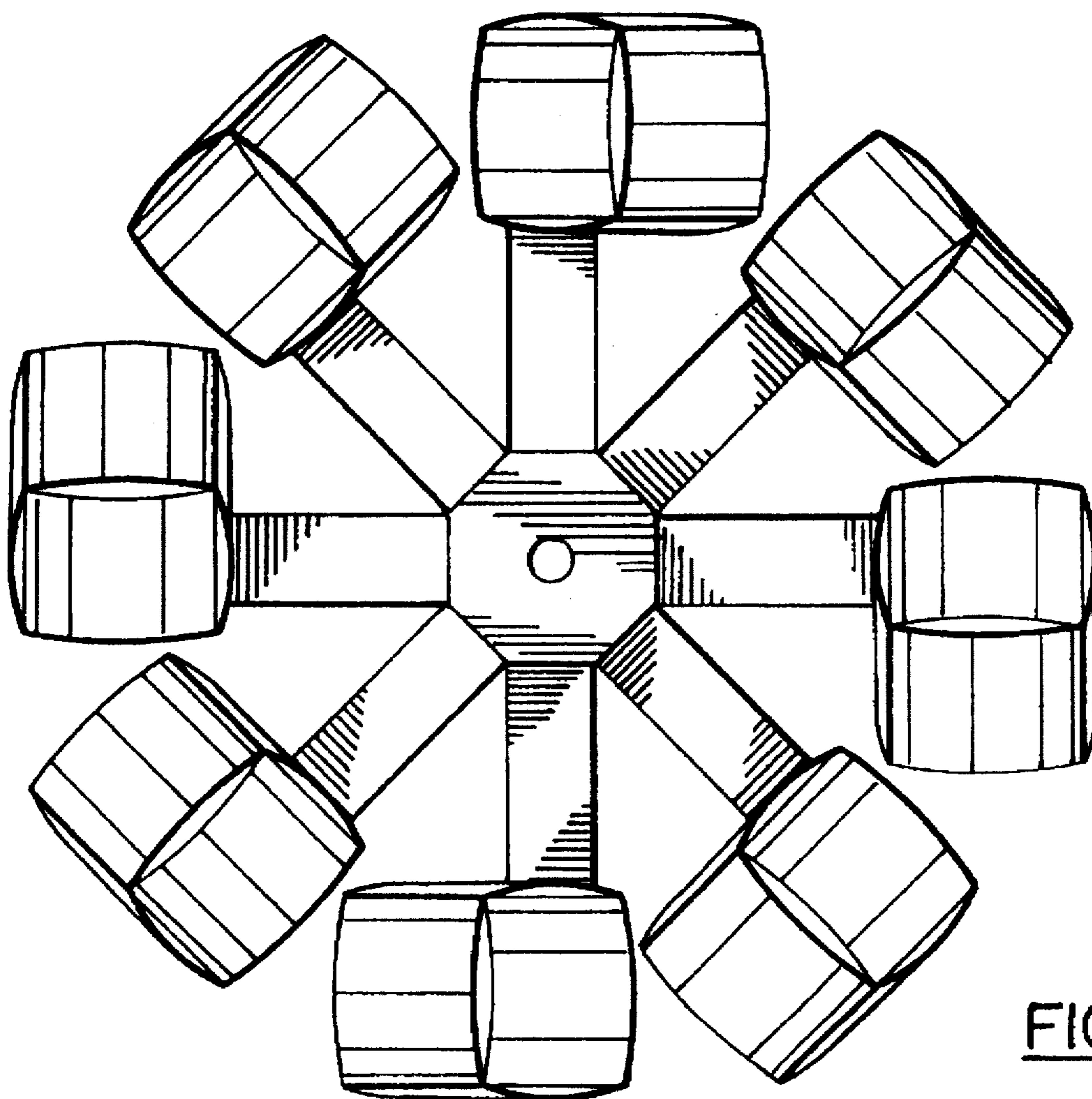


FIG. 7

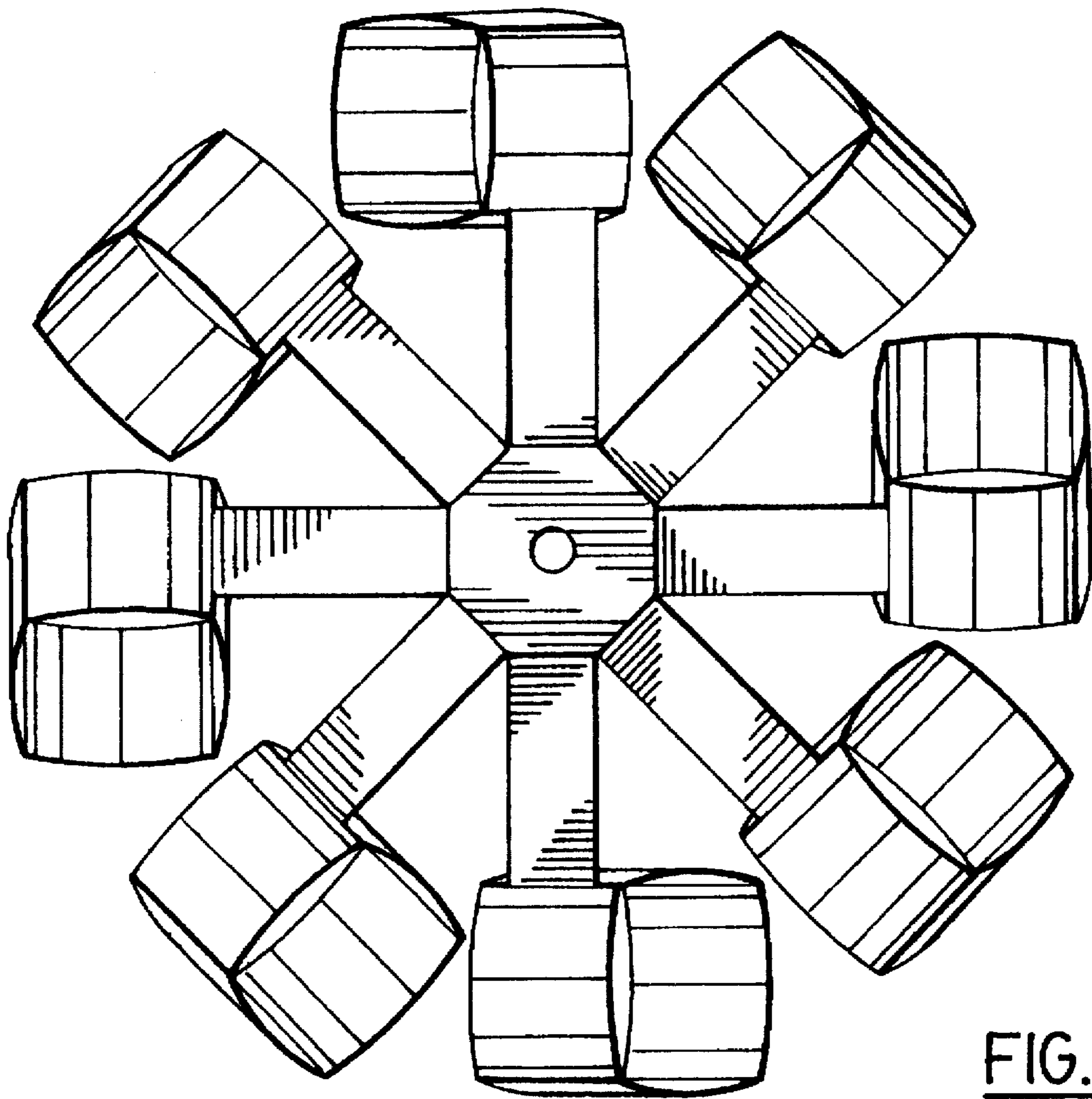


FIG. 8

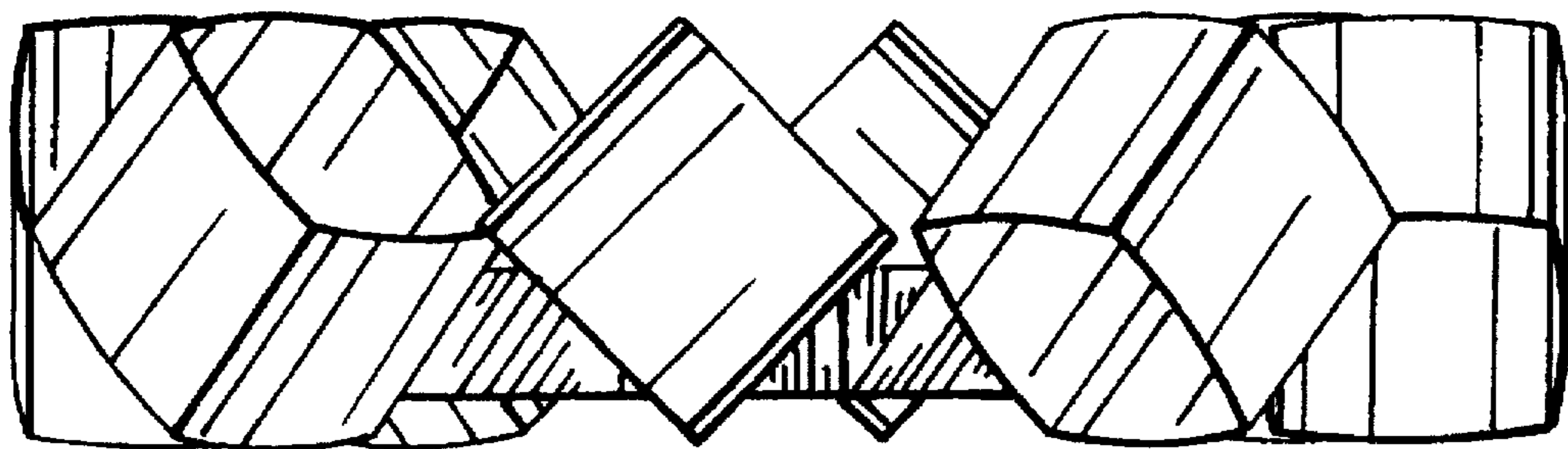


FIG. 9