



US00D384164S

# United States Patent [19]

Leiva et al.

[11] Patent Number: **Des. 384,164**

[45] Date of Patent: **\*\*Sep. 23, 1997**

[54] **TRANSPARENT ASSAY TESTER FOR BIOLOGICAL FLUIDS**

[75] Inventors: **William A. Leiva, Half Moon Bay; Ian D. Wells, Escondido, both of Calif.**

[73] Assignee: **Medix Biotech, Inc., San Carlos, Calif.**

[\*\*] Term: **14 Years**

[21] Appl. No.: **37,222**

[22] Filed: **Apr. 6, 1995**

### Related U.S. Application Data

[63] Continuation-in-part of Ser. No. 15,399, Nov. 15, 1993, abandoned, which is a continuation of Ser. No. 918,340, Jul. 21, 1992, abandoned.

[51] LOC (6) Cl. .... **24-02**

[52] U.S. Cl. .... **D24/224; D24/223; D25/225**

[58] Field of Search ..... **D24/224, 225, D24/223; 422/58, 61, 56, 68.1, 102, 104; 435/970, 906, 810, 814; 436/809, 808**

### [56] References Cited

#### U.S. PATENT DOCUMENTS

D. 324,426 3/1992 Fan et al. .... D24/226

D. 328,136	7/1992	Hayakawa .....	D24/225
4,678,640	7/1987	Hamano et al. ....	422/56
5,006,464	4/1991	Chu et al. ....	435/7.1
5,008,077	4/1991	Kheiri .....	422/56
5,049,487	9/1991	Phillips et al. ....	435/4
5,137,808	8/1992	Ullman et al. ....	435/7.9
5,187,100	2/1993	Matzinger et al. ....	436/16
5,238,652	8/1993	Sun et al. ....	422/61
5,458,852	10/1995	Buechler .....	422/102 X

*Primary Examiner*—Louis S. Zarfes

*Assistant Examiner*—I. Simmons

*Attorney, Agent, or Firm*—Townsend & Townsend & Crew

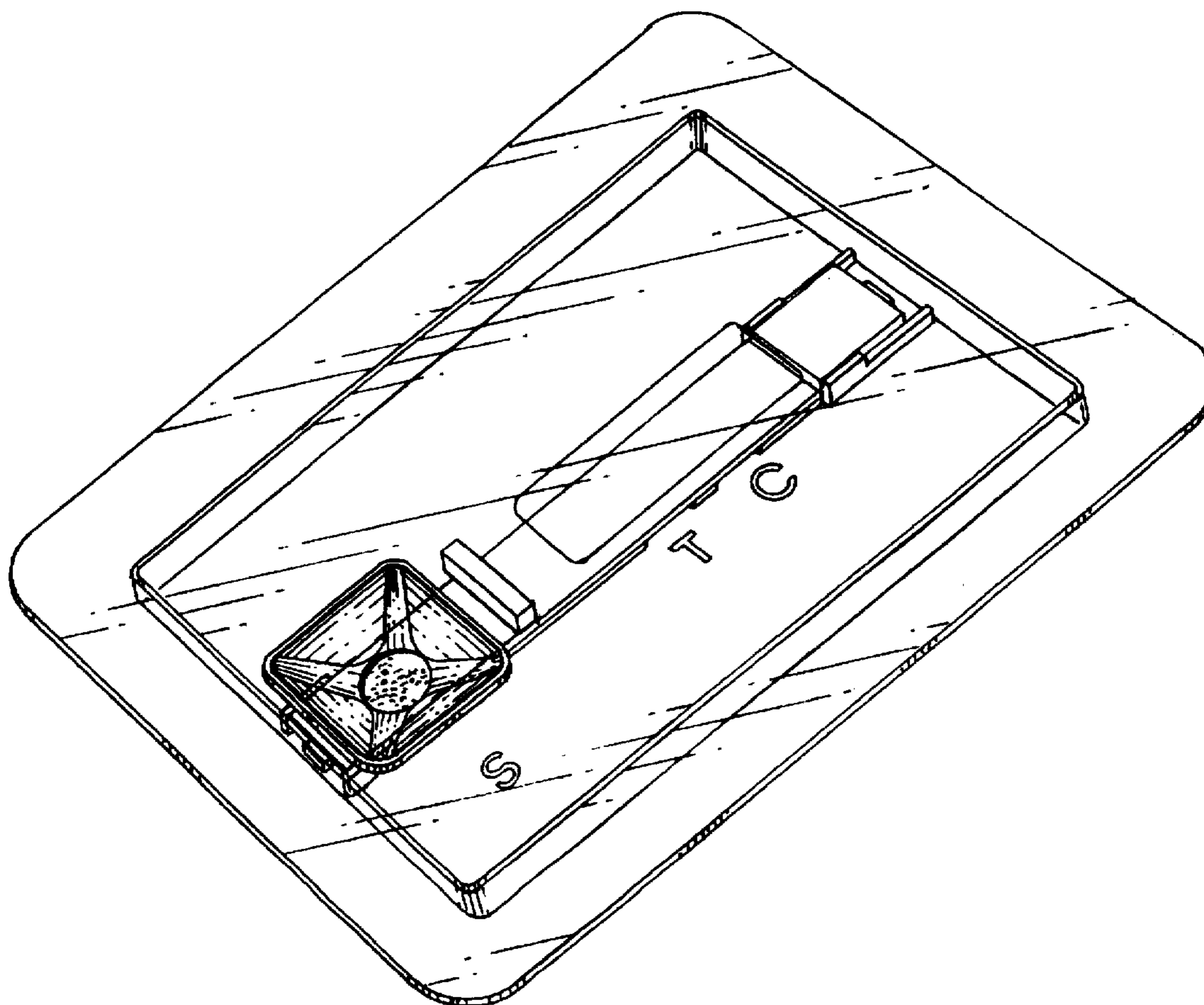
### [57] CLAIM

The ornamental design for a transparent assay tester for biological fluids, as shown and described.

### DESCRIPTION

FIG. 1 is a perspective view showing my new design; FIG. 2 is a top plan view thereof; FIG. 3 is a bottom plan view thereof; FIG. 4 is a left side elevational view thereof; FIG. 5 is right side elevational view thereof; FIG. 6 is a front side elevational view thereof; and, FIG. 7 is a rear elevational view thereof.

**1 Claim, 3 Drawing Sheets**



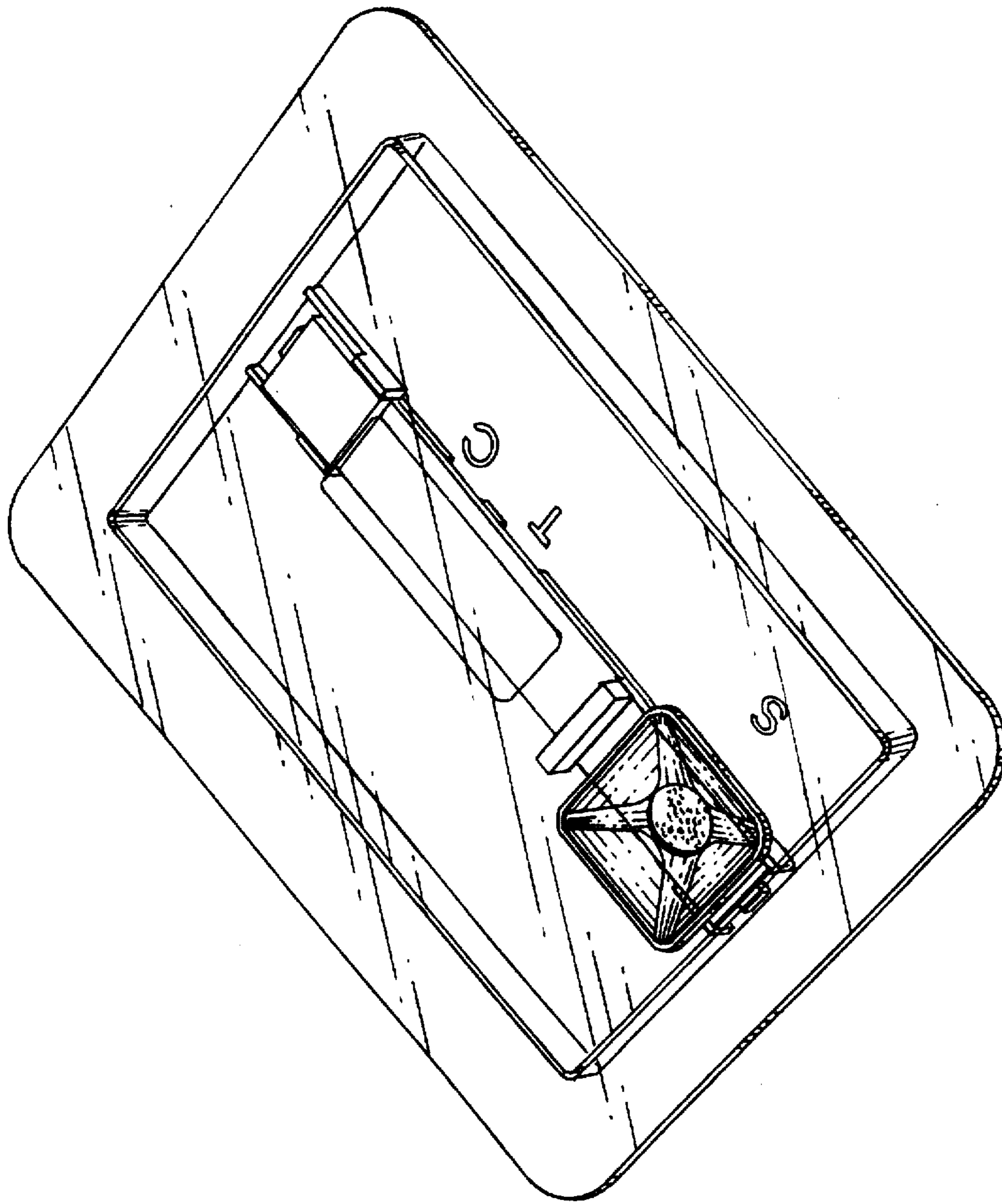


FIG. 1

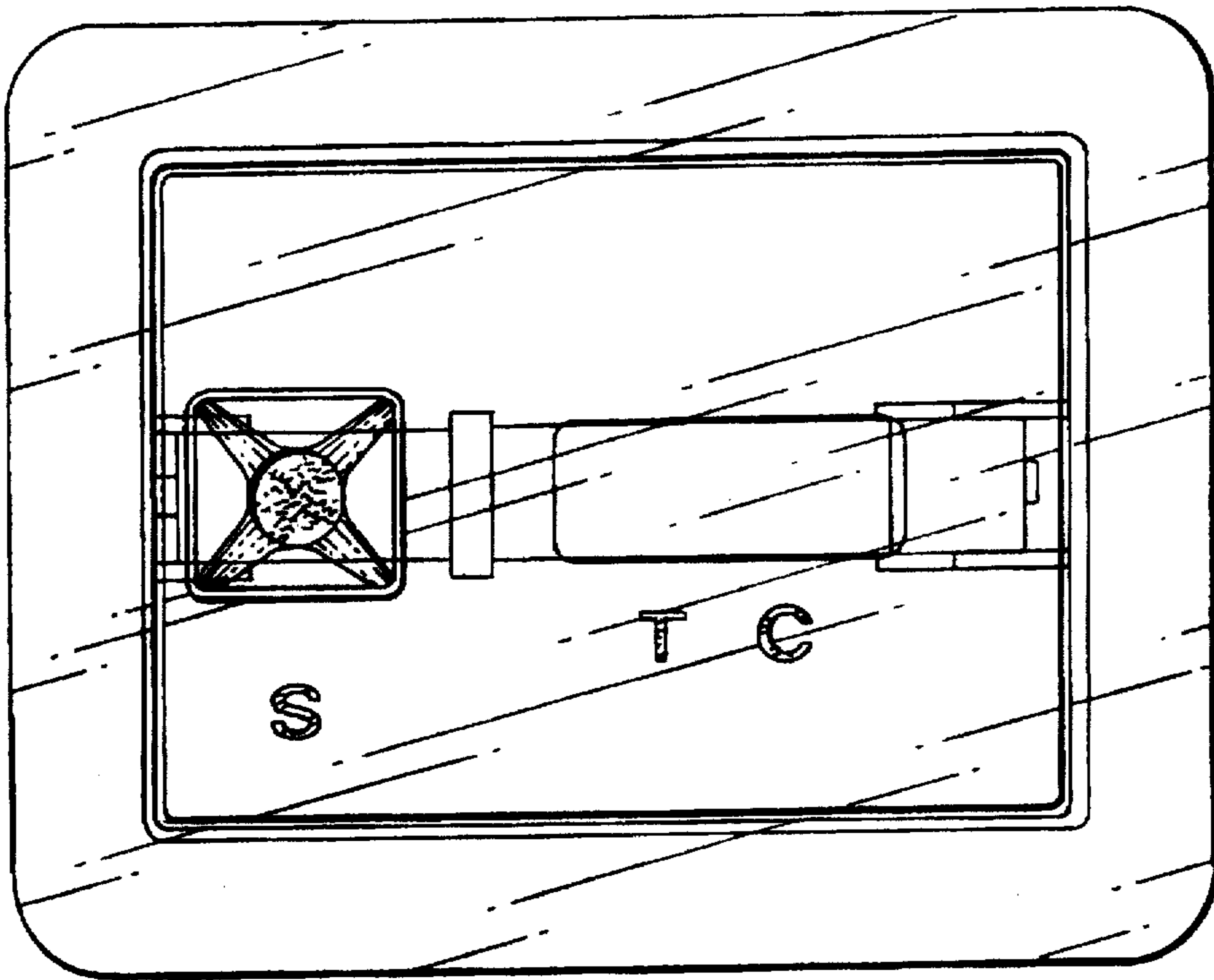


FIG. 2

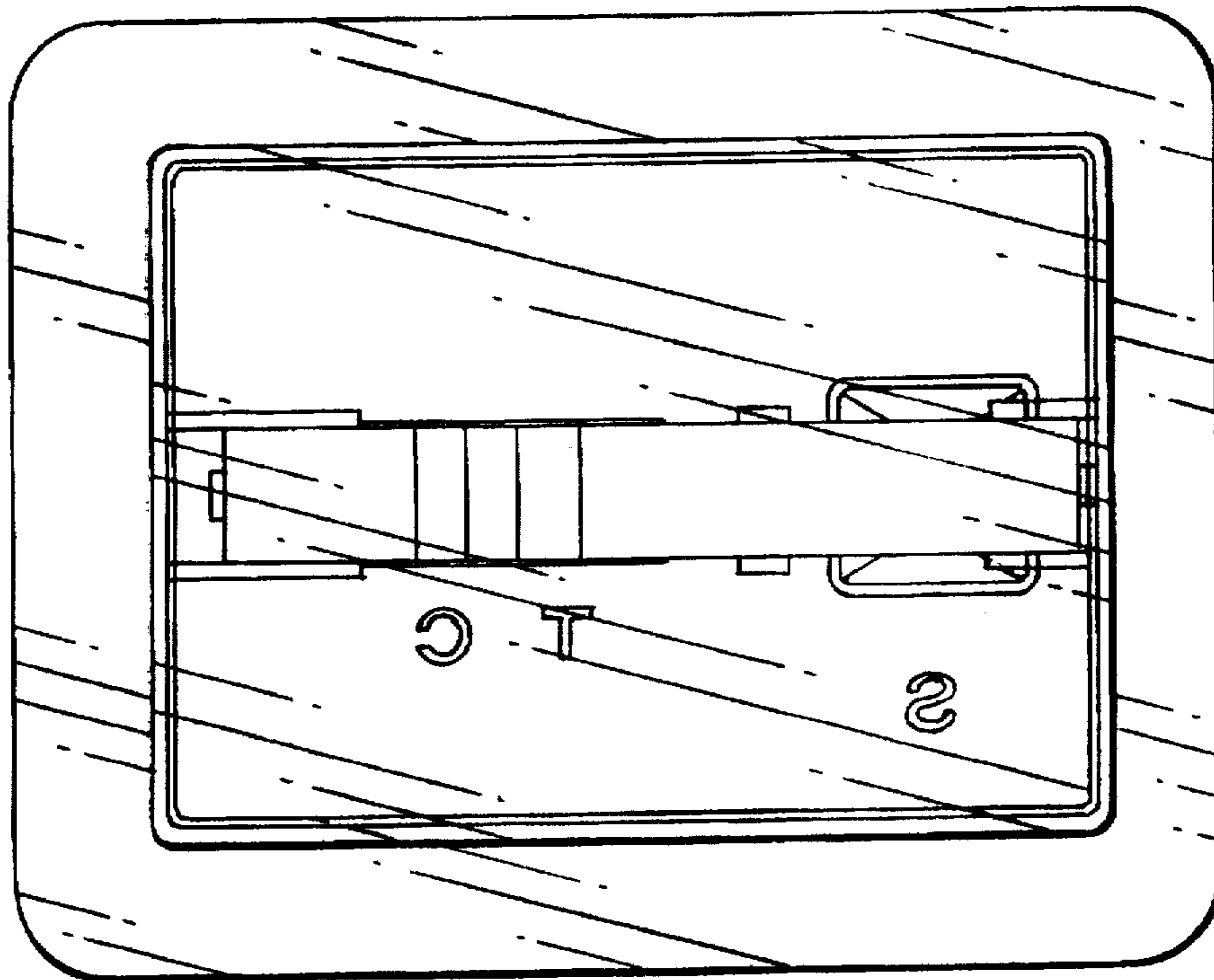


FIG. 3

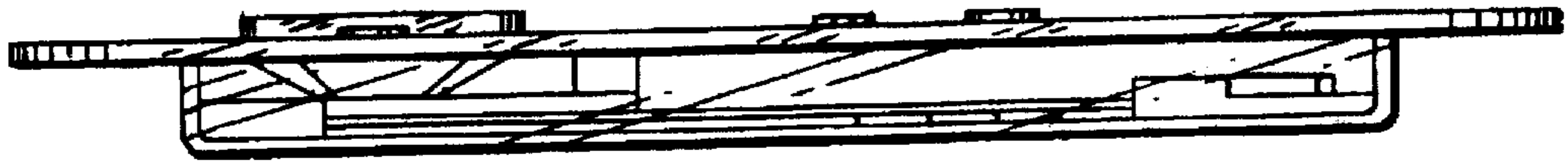


FIG 4

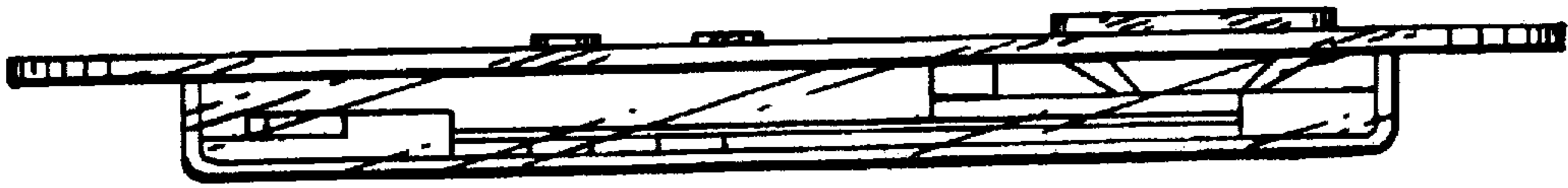


FIG 5



FIG 6

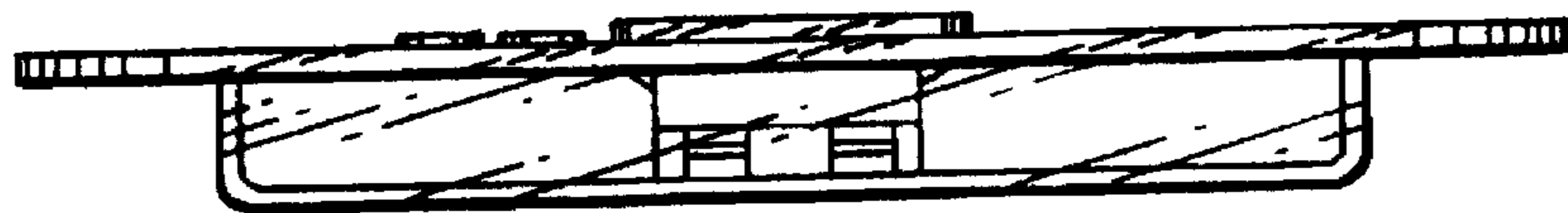


FIG 7