

US00D384161S

United States Patent [19]
Tseng

[11] **Patent Number:** **Des. 384,161**
[45] **Date of Patent:** ****Sep. 23, 1997**

[54] **MASSAGING TOOL**

2,306,424 12/1942 Betz 601/119
4,127,116 11/1978 Pannetier 601/125 X

[76] **Inventor:** **James Tseng**, No. 322, Chang Chun Road, Taoyuan City, Taiwan

Primary Examiner—Stella Reid
Attorney, Agent, or Firm—Morton J. Rosenberg; David I. Klein

[**] **Term:** **14 Years**

[21] **Appl. No.:** **59,954**

[57] **CLAIM**

[22] **Filed:** **Sep. 18, 1996**

The ornamental design for a massaging tool, as shown and described.

[51] **LOC (6) Cl.** **28-03**

DESCRIPTION

[52] **U.S. Cl.** **D24/215; D24/211; D24/214**

[58] **Field of Search** **D24/211, 213, D24/214, 215, 200; 601/118, 119, 122, 125-127, 129-131, 134-136**

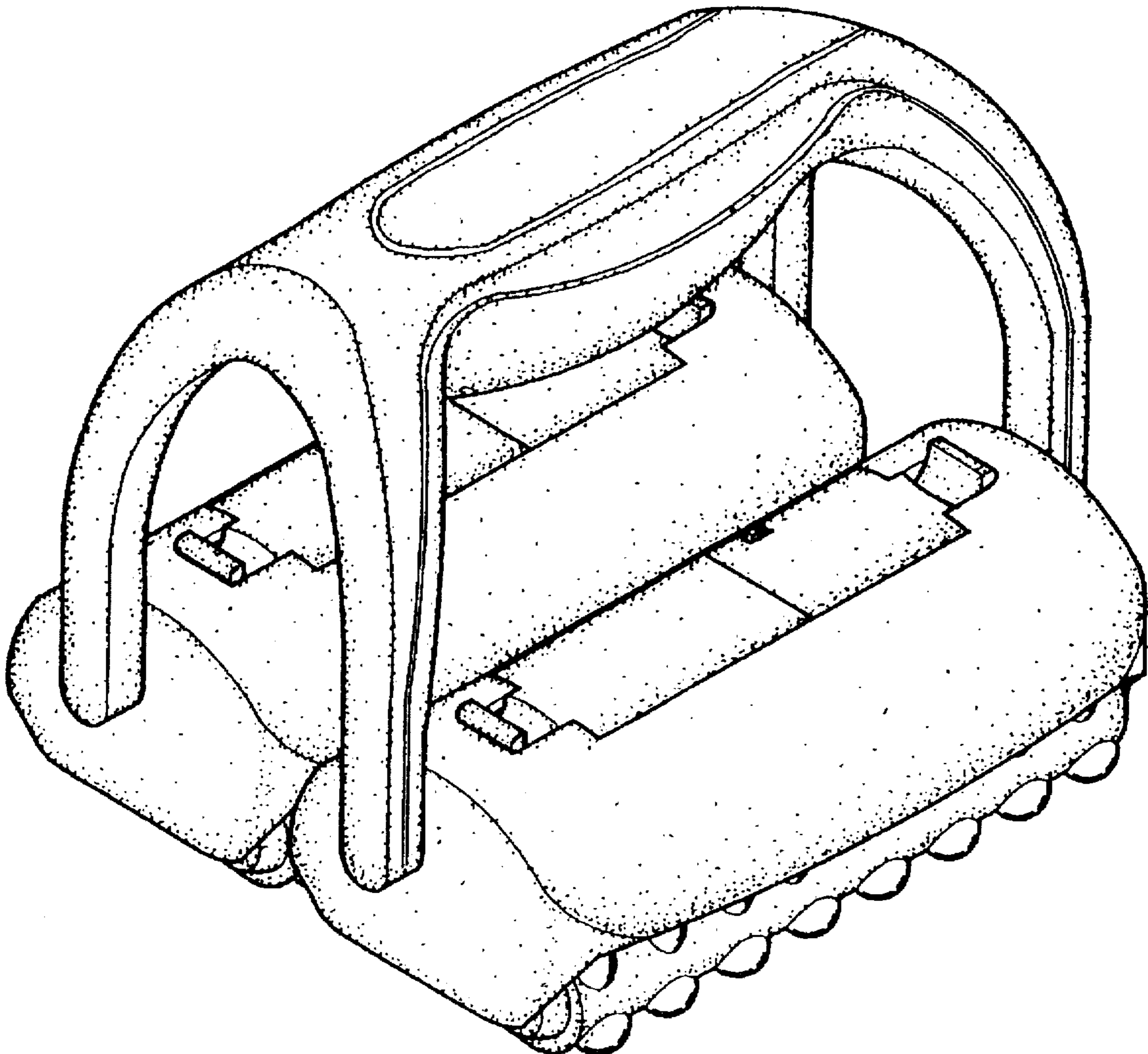
FIG. 1 is a top perspective view of a massaging tool, showing my new design;
FIG. 2 is a front elevational view thereof;
FIG. 3 is a rear elevational view thereof;
FIG. 4 is a left side elevational view thereof;
FIG. 5 is a right side elevational view thereof;
FIG. 6 is a top plan view thereof; and,
FIG. 7 is a bottom plan view thereof.

[56] **References Cited**

U.S. PATENT DOCUMENTS

D. 261,428	10/1981	Noble	D24/211
D. 285,724	9/1986	Grundler et al.	D24/211
D. 299,863	2/1989	Noble et al.	D24/211
D. 359,359	6/1995	Robertson et al.	D24/211

1 Claim, 7 Drawing Sheets



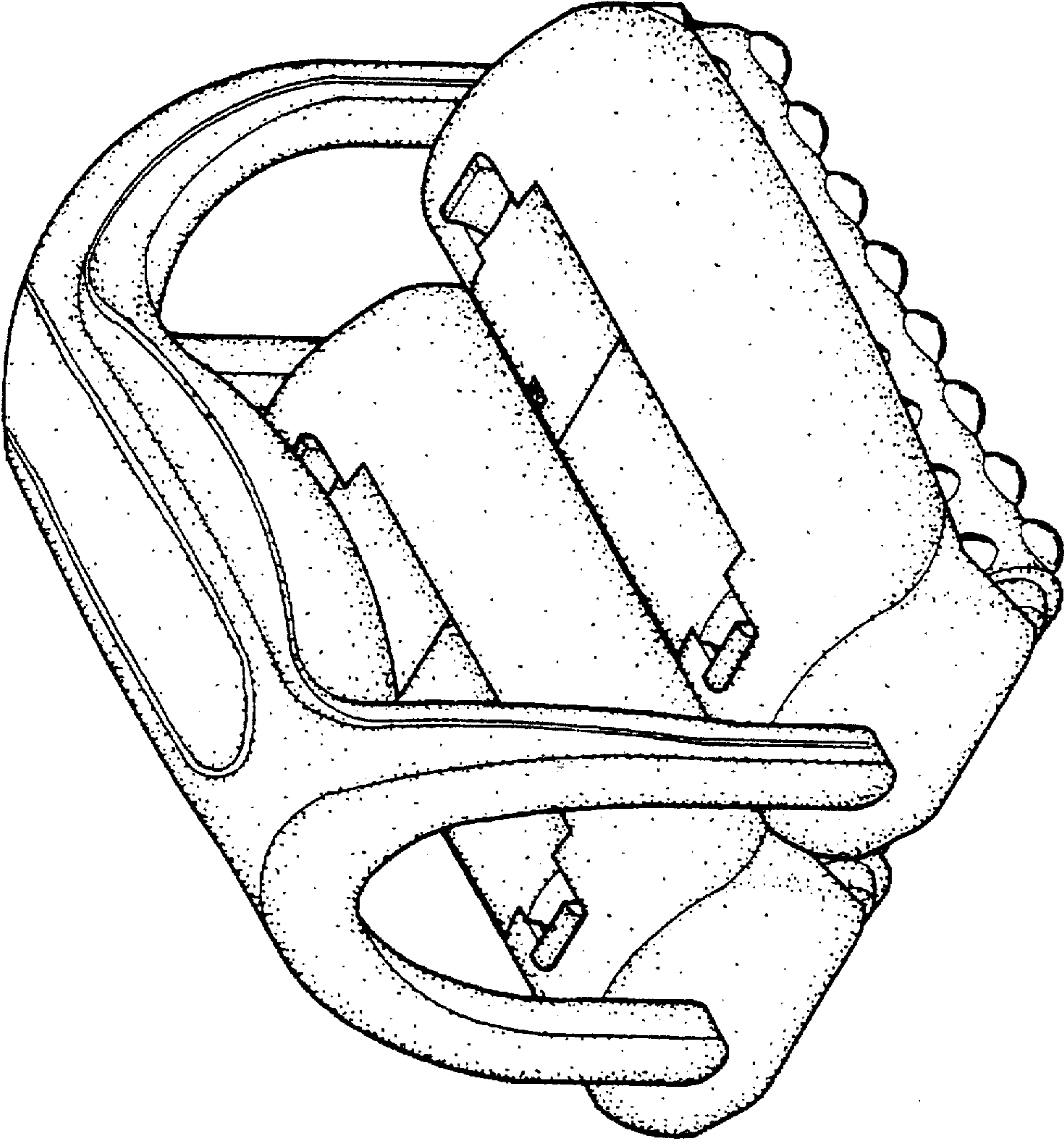


FIG. 1

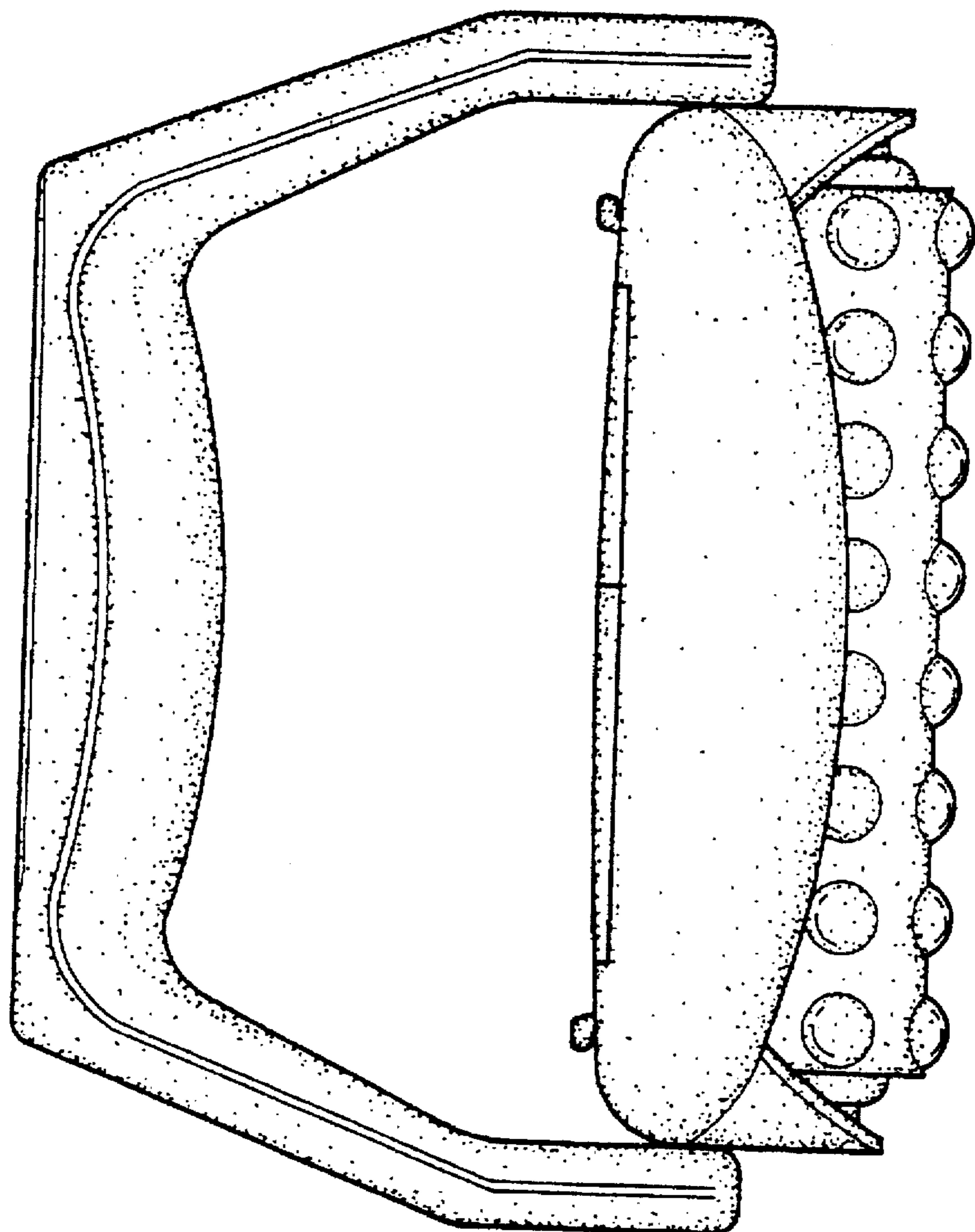


FIG. 2

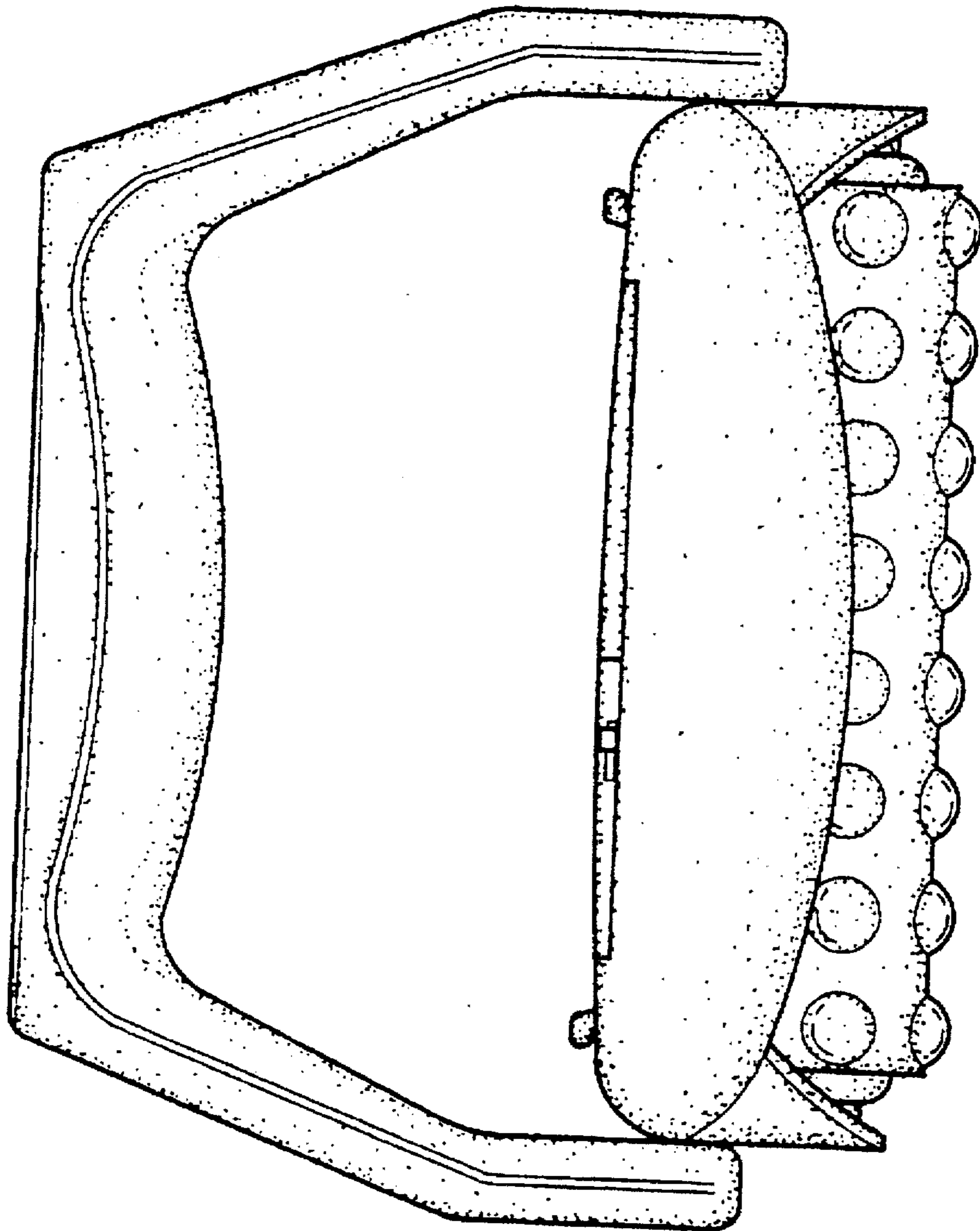


FIG. 3

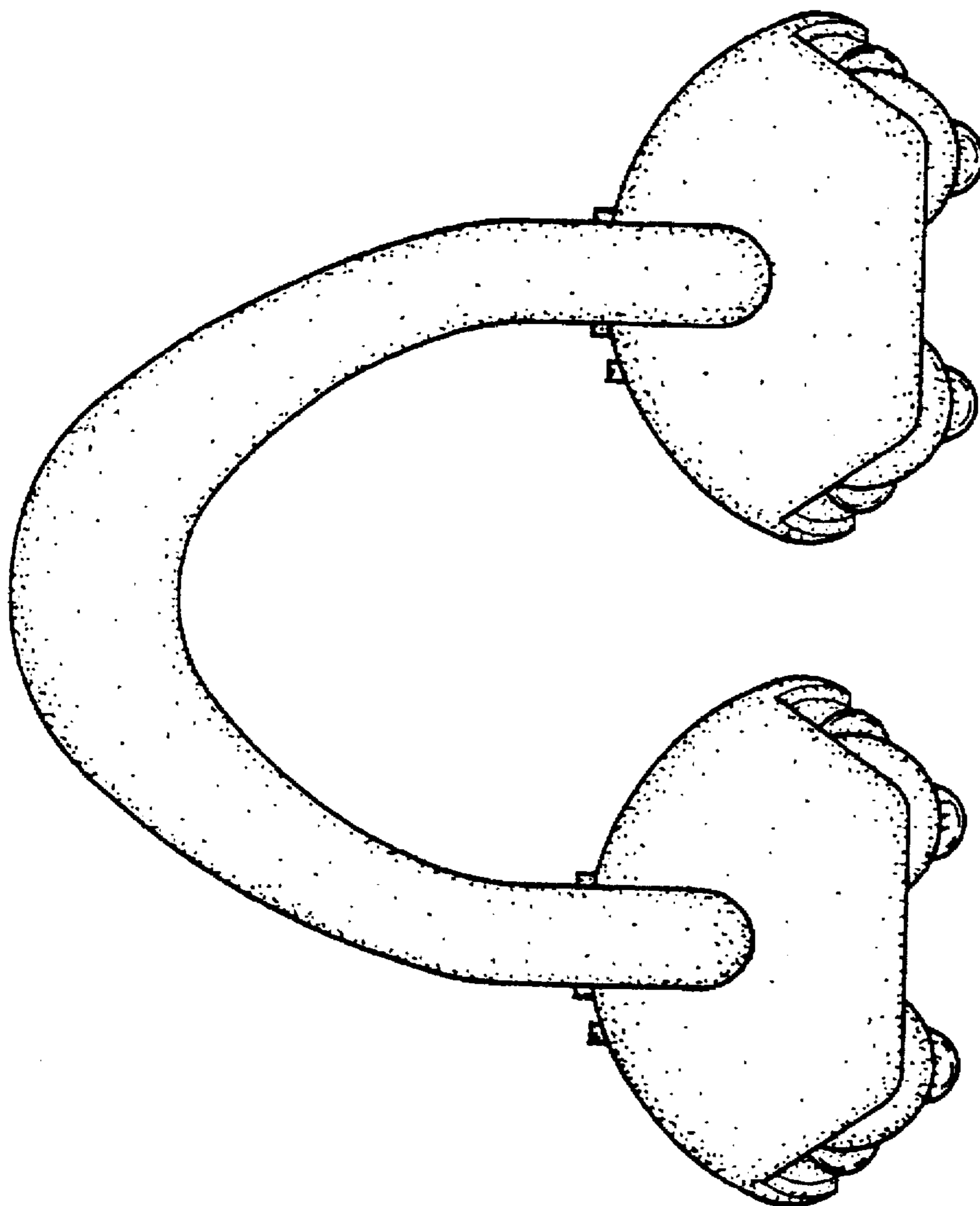


FIG. 4

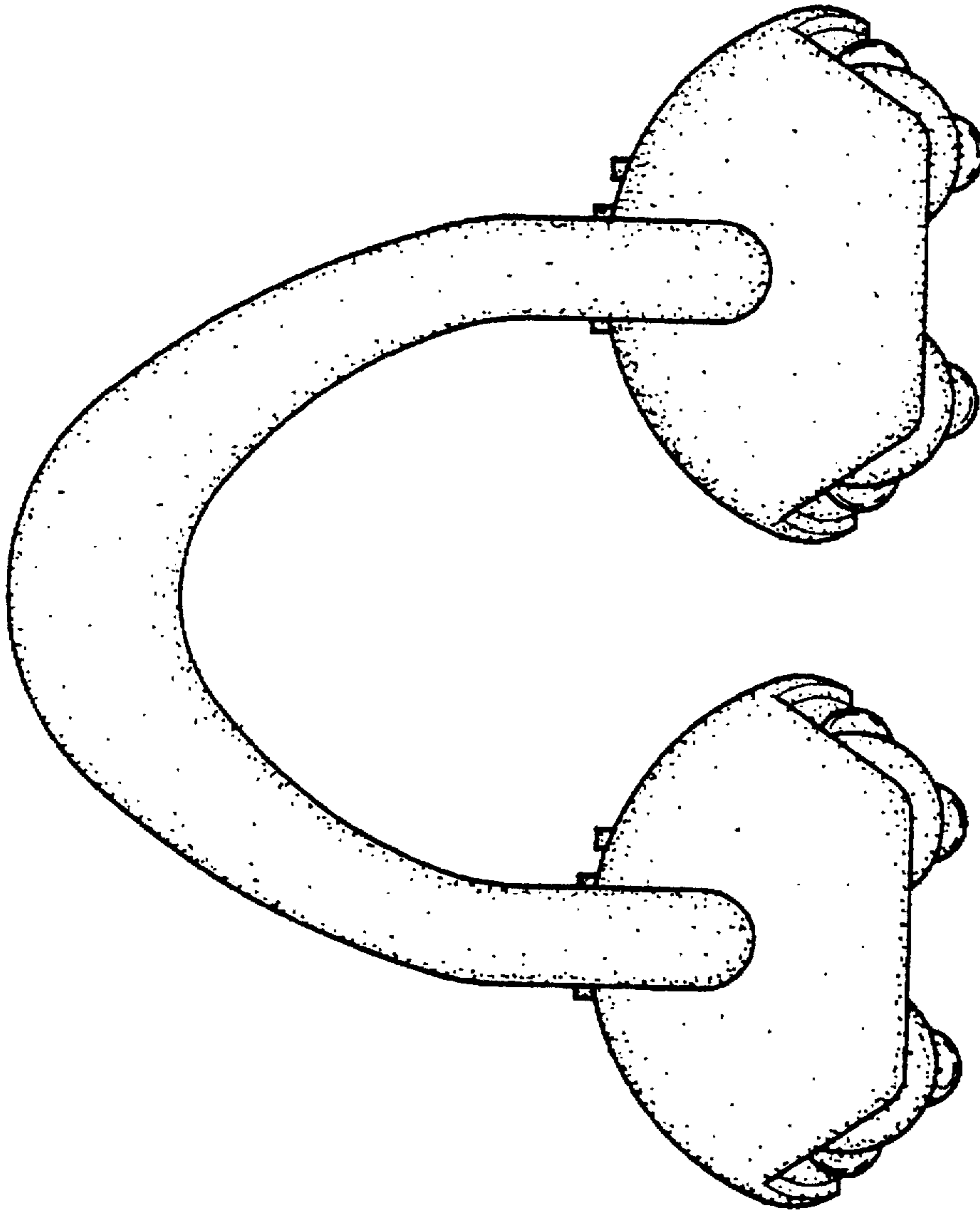


FIG. 5

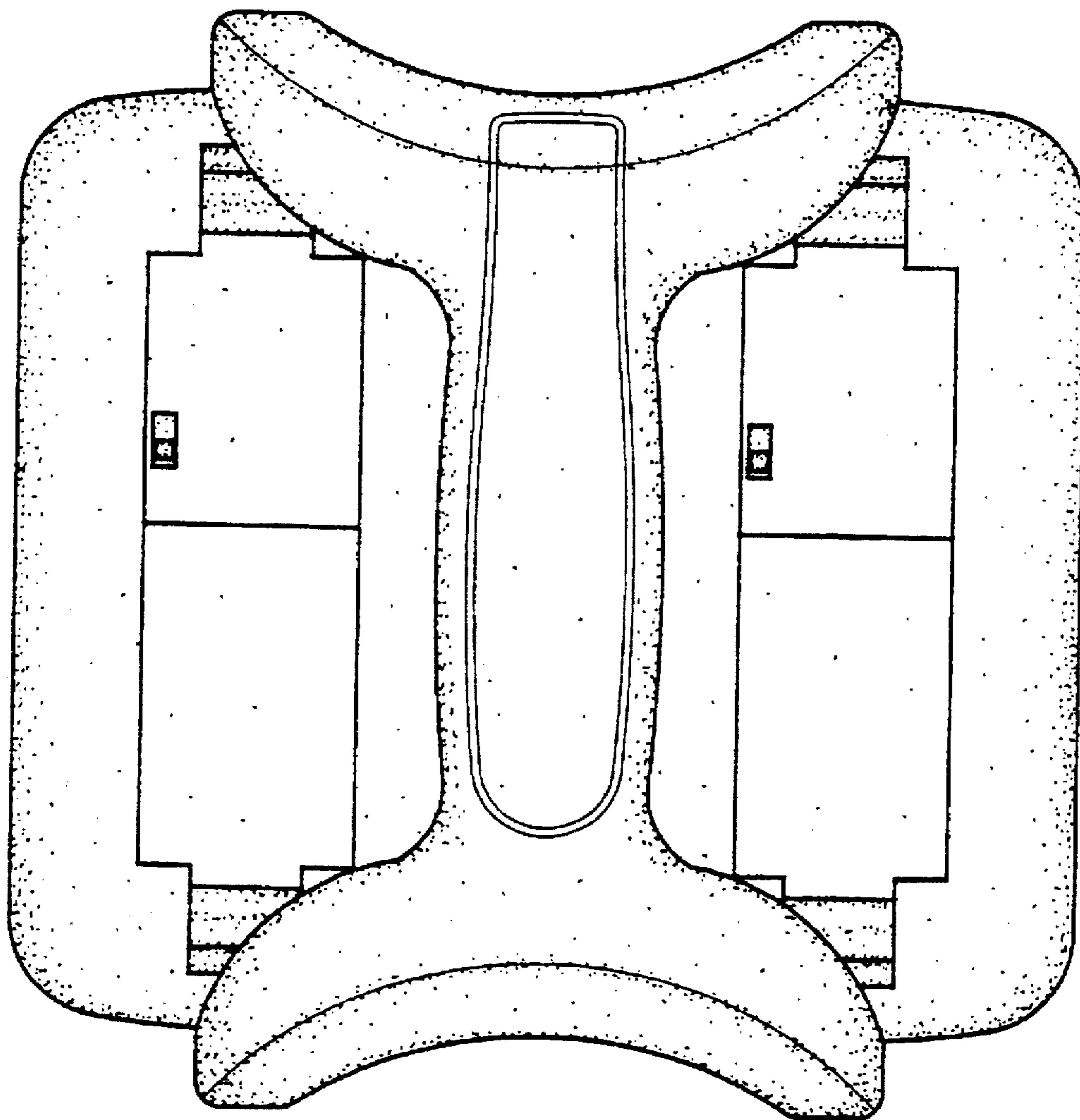


FIG. 6

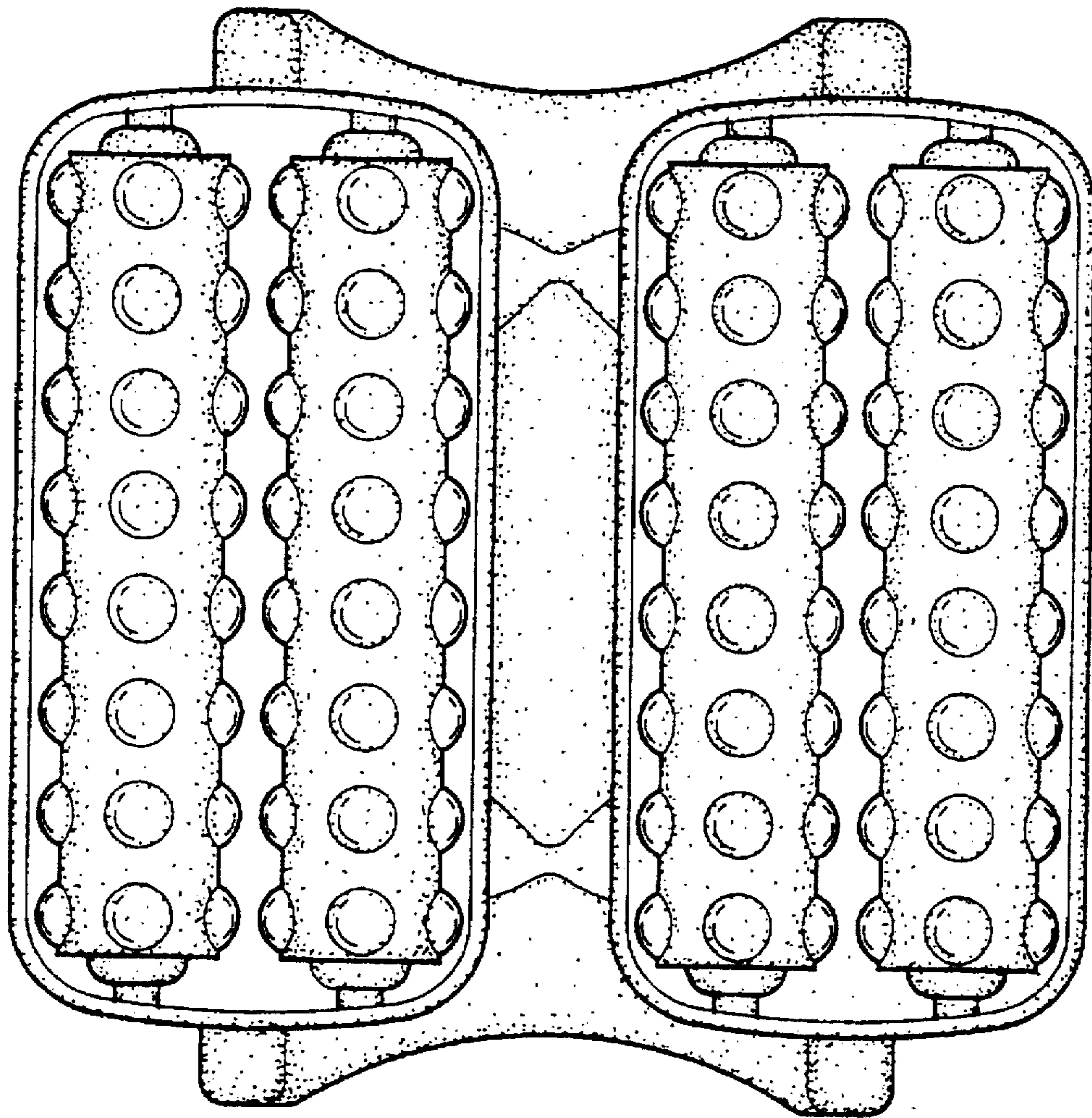


FIG. 7