



US00D384159S

United States Patent [19] Tsai

[11] Patent Number: **Des. 384,159**
[45] Date of Patent: ****Sep. 23, 1997**

[54] **AIR-MASSAGER**
[75] Inventor: **Ching-Hsiung Tsai**, Taipei, Taiwan
[73] Assignee: **Global Friendship Enterprise Co., Ltd.**, Taipei, Taiwan
[**] Term: **14 Years**
[21] Appl. No.: **52,621**
[22] Filed: **Apr. 1, 1996**
[51] LOC (6) Cl. **28-03**
[52] U.S. Cl. **D24/215; D24/200**
[58] Field of Search **D24/215, 201, D24/204, 200; 601/1, 71, 108, 124, 125, 126, 150, 149; 4/541.1, 541.6**

2,842,136 7/1958 Browner D24/200 X
3,996,929 12/1976 Mabuchi 601/124
4,098,266 7/1978 Muchisky et al. 601/71

Primary Examiner—Stella Reid
Attorney, Agent, or Firm—Bacon & Thomas

[57] CLAIM

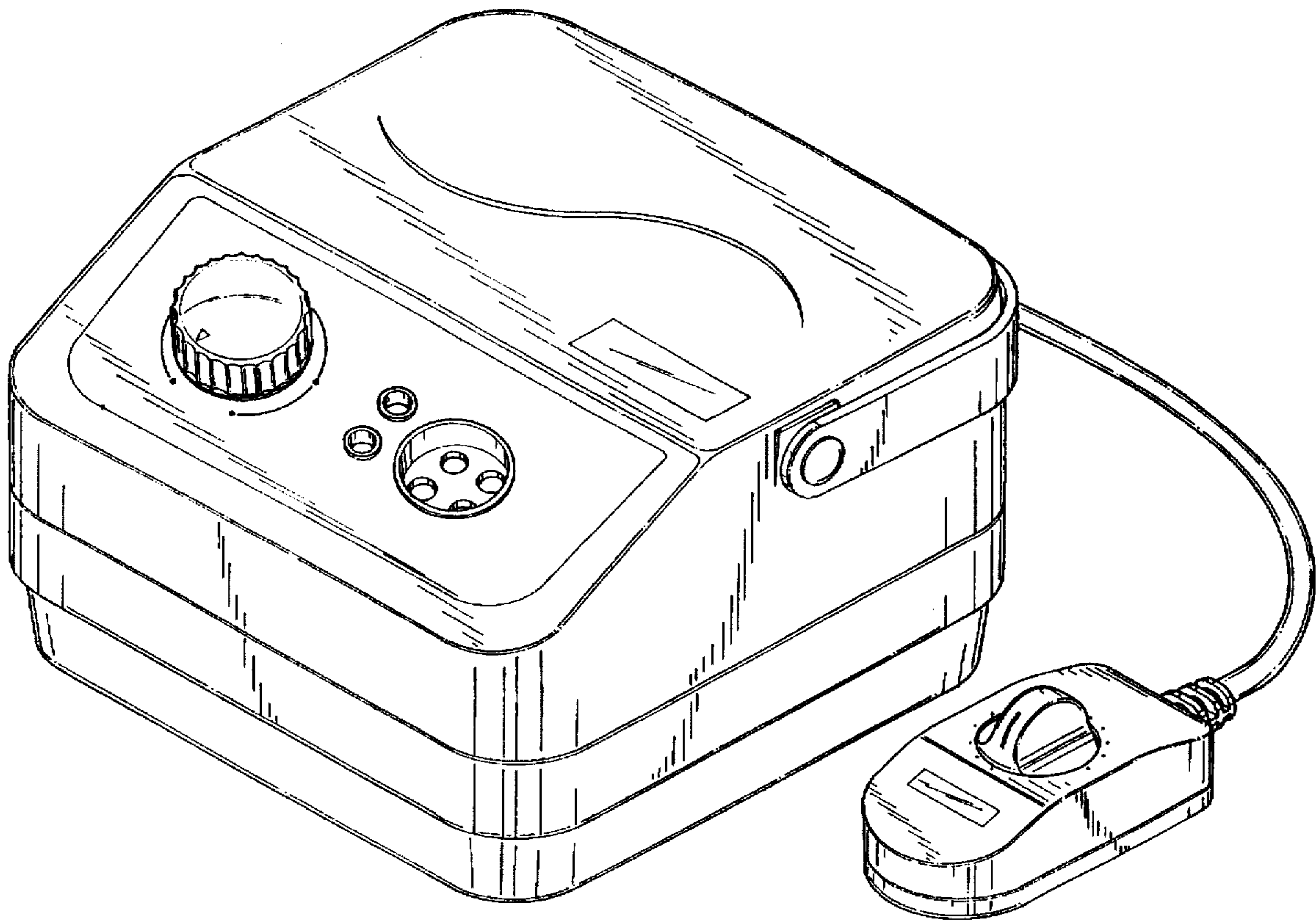
The ornamental design for the air-massager, as shown and described.

DESCRIPTION

FIG. 1 is a perspective view of an air-massager showing my new design;
FIG. 2 is a front elevational view;
FIG. 3 is a rear elevational view;
FIG. 4 is a left side elevational view;
FIG. 5 is a right side elevational view;
FIG. 6 is a top plan view; and,
FIG. 7 is a bottom plan view.

[56] **References Cited**
U.S. PATENT DOCUMENTS
D. 281,013 10/1985 Doyel D24/215

1 Claim, 7 Drawing Sheets



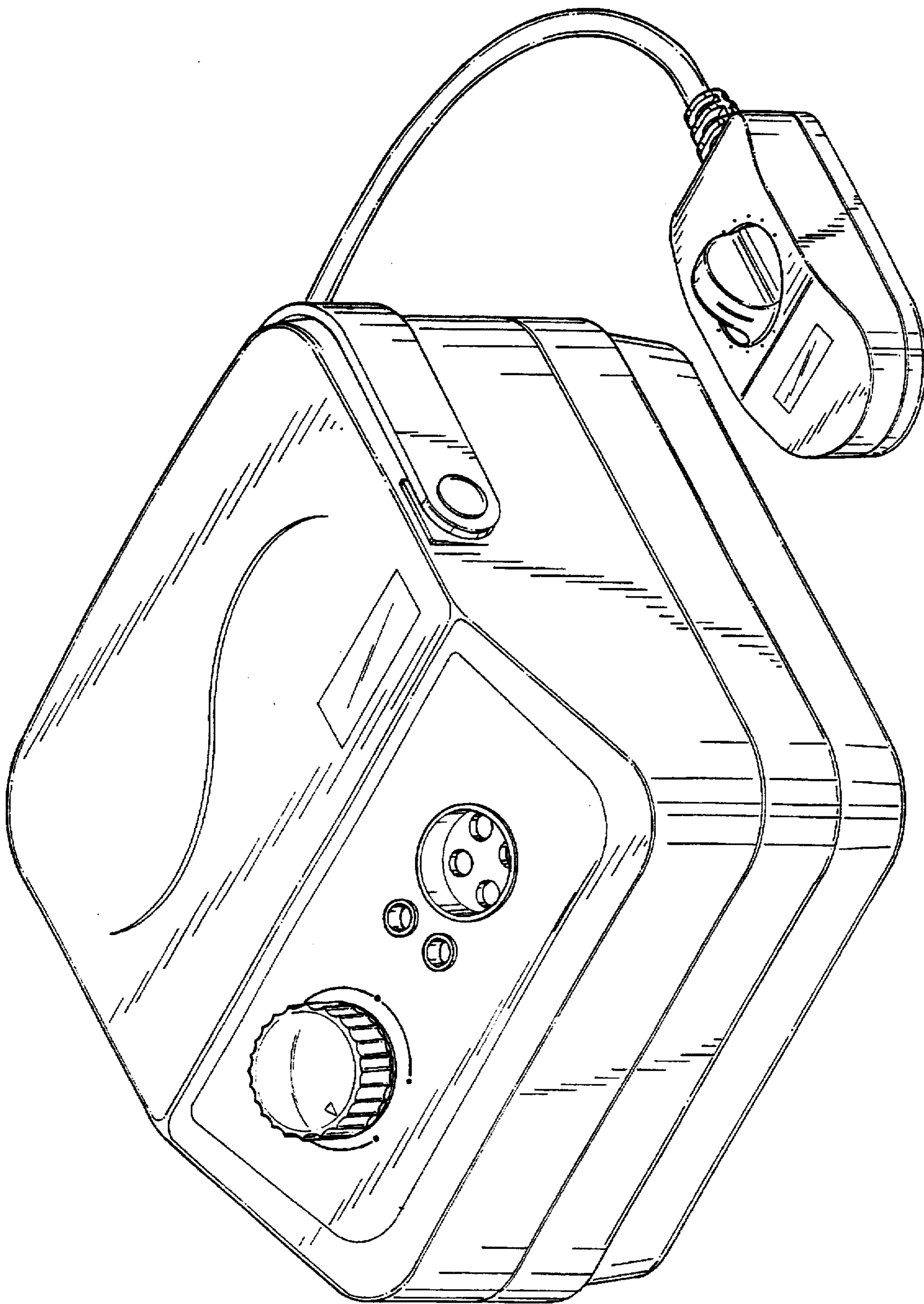


FIG. 1

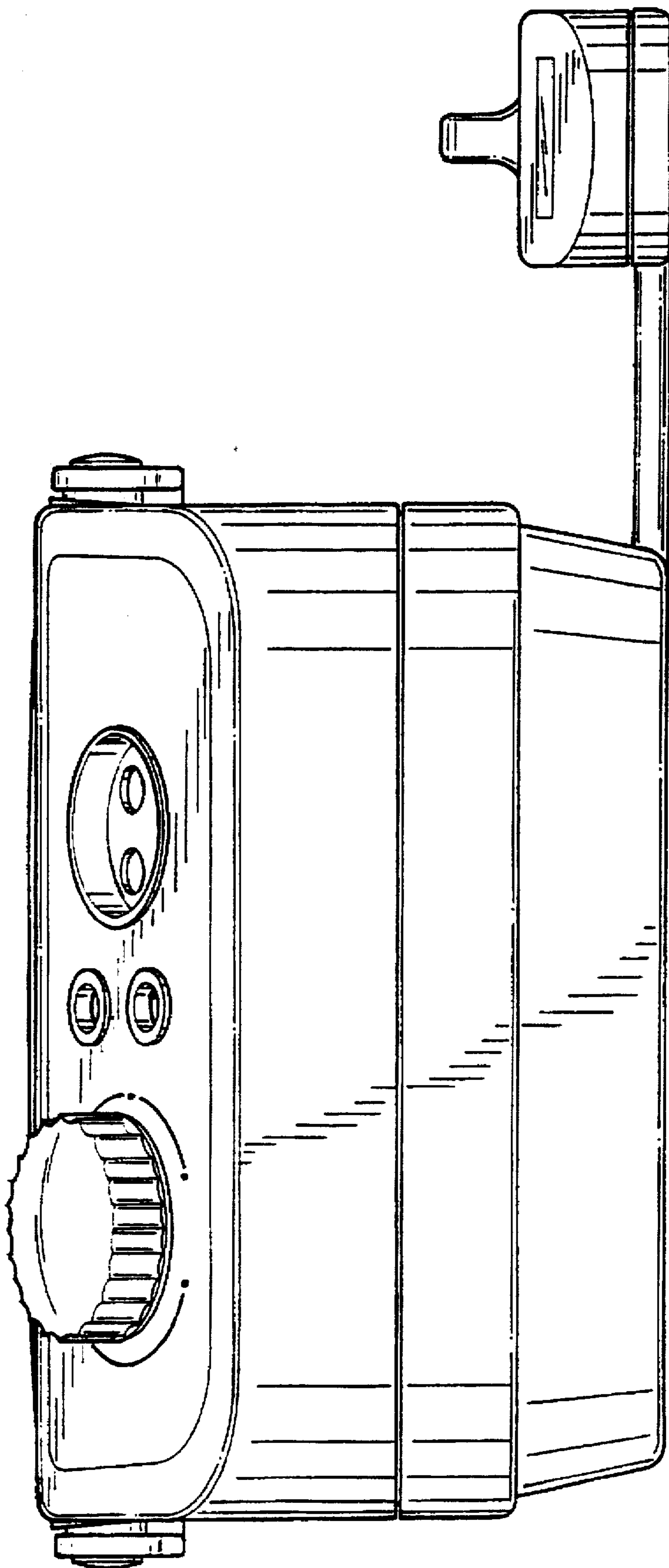


FIG. 2

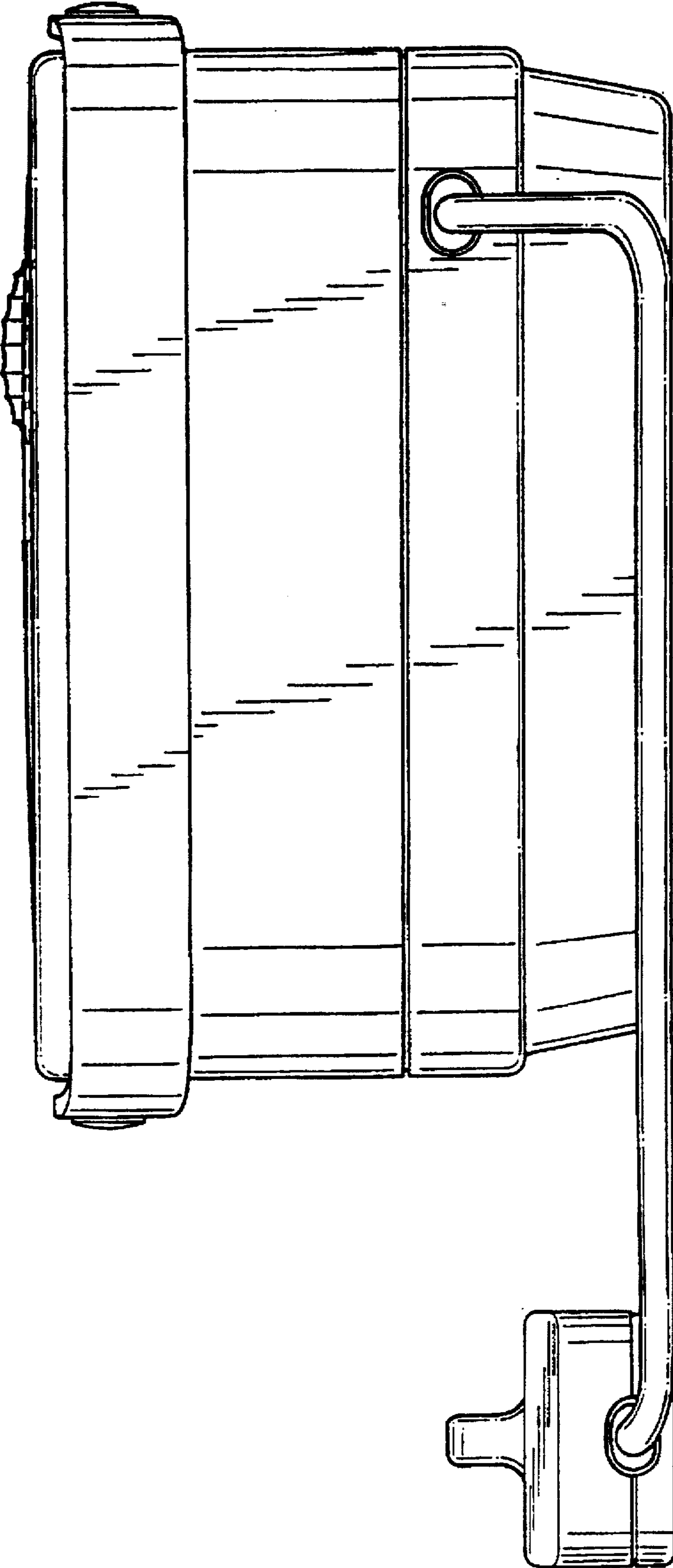


FIG. 3

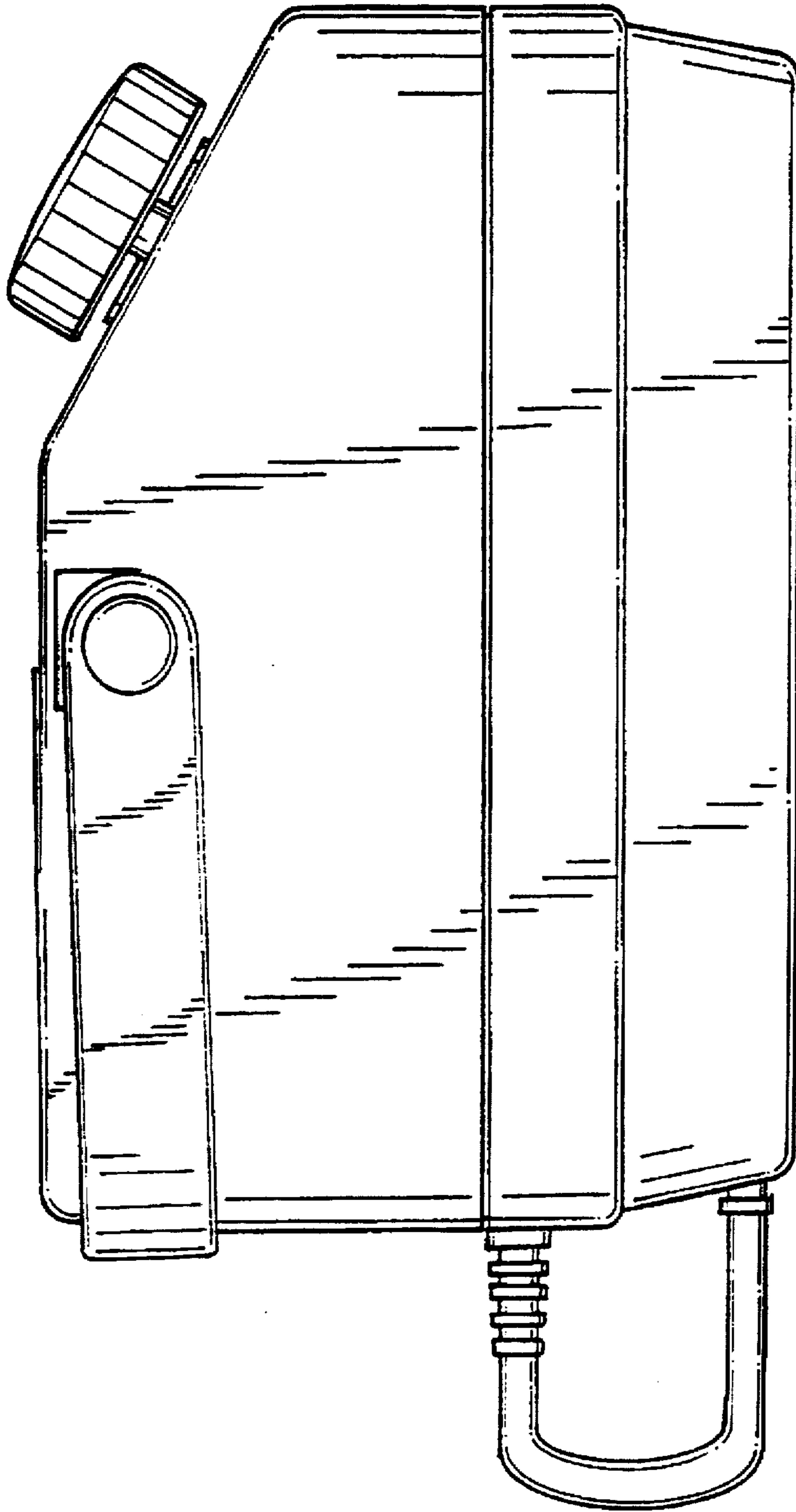


FIG. 4

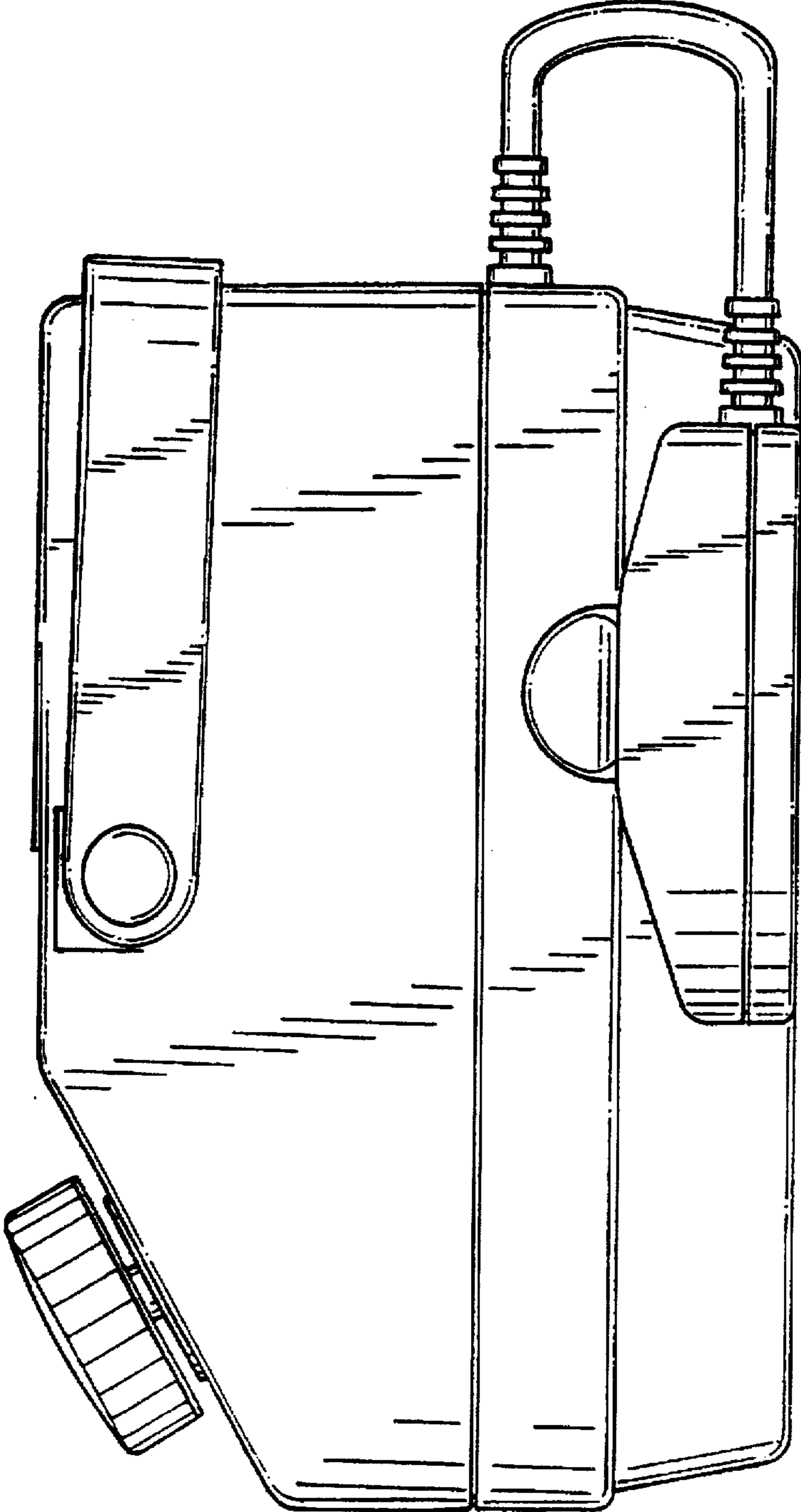


FIG. 5

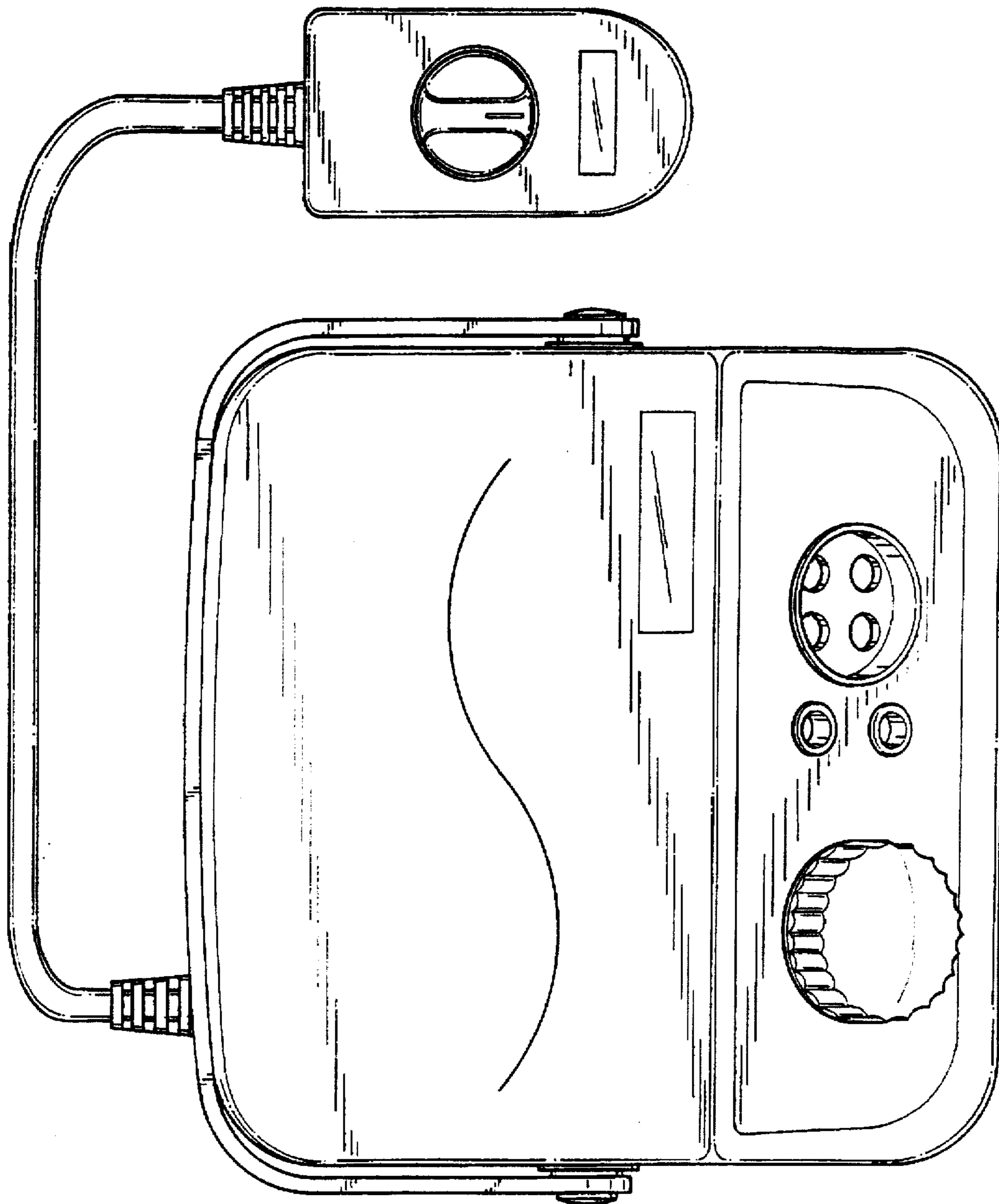


FIG. 6

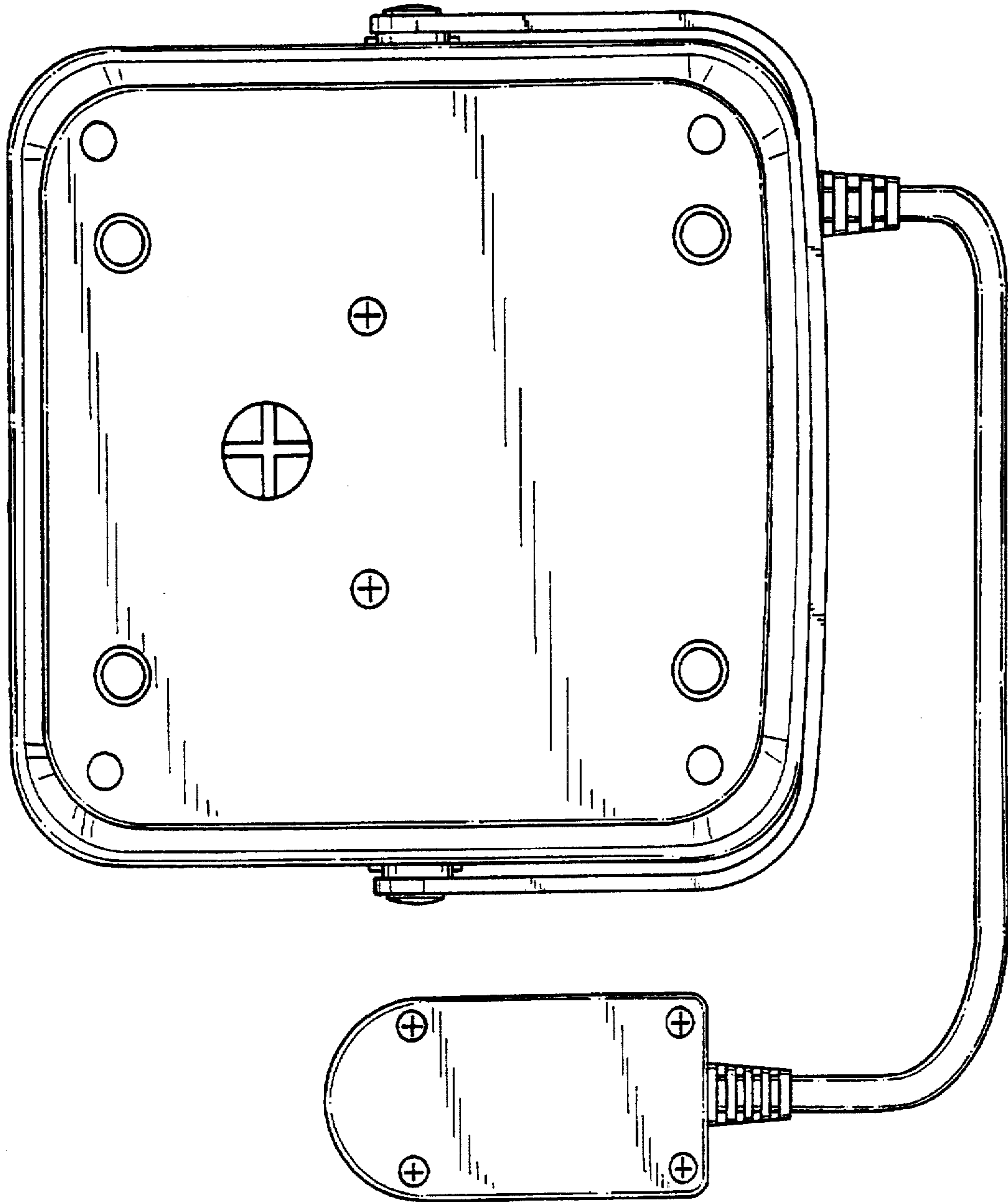


FIG. 7