



US00D384155S

United States Patent [19]

[11] Patent Number: **Des. 384,155**

Crist

[45] Date of Patent: ****Sep. 23, 1997**

[54] **COMBINED HELMET, HEAD AND CERVICAL SPINE IMMOBILIZER**

5,305,154 4/1994 Honeywell et al. 128/870 X
5,400,802 3/1995 Niemeyer et al. 128/870 X

[76] Inventor: **Frank L. Crist**, 220 Brush St.,
Portland, Mich. 48875

Primary Examiner—Stella Reid

[**] Term: **14 Years**

[57] **CLAIM**

The ornamental design for a combined helmet, head and cervical spine immobilizer, as shown and described.

[21] Appl. No.: **41,564**

DESCRIPTION

[22] Filed: **Jul. 18, 1995**

FIG. 1 is a perspective view of a combined helmet, head and cervical spine immobilizer, showing my new design; the broken line showing is for illustrative purposes only and forms no part of the claimed design;

[51] LOC (6) Cl. **24-04**

[52] U.S. Cl. **D24/191; D24/190**

[58] Field of Search D24/191, 190;
602/18, 17, 5; 128/870, 857, DIG. 23

FIG. 2 is a top plan view of a single combined helmet, head and cervical spine immobilizer;

FIG. 3 is a front elevational view thereof;

FIG. 4 is a rear elevational view thereof;

FIG. 5 is a bottom plan view thereof; and,

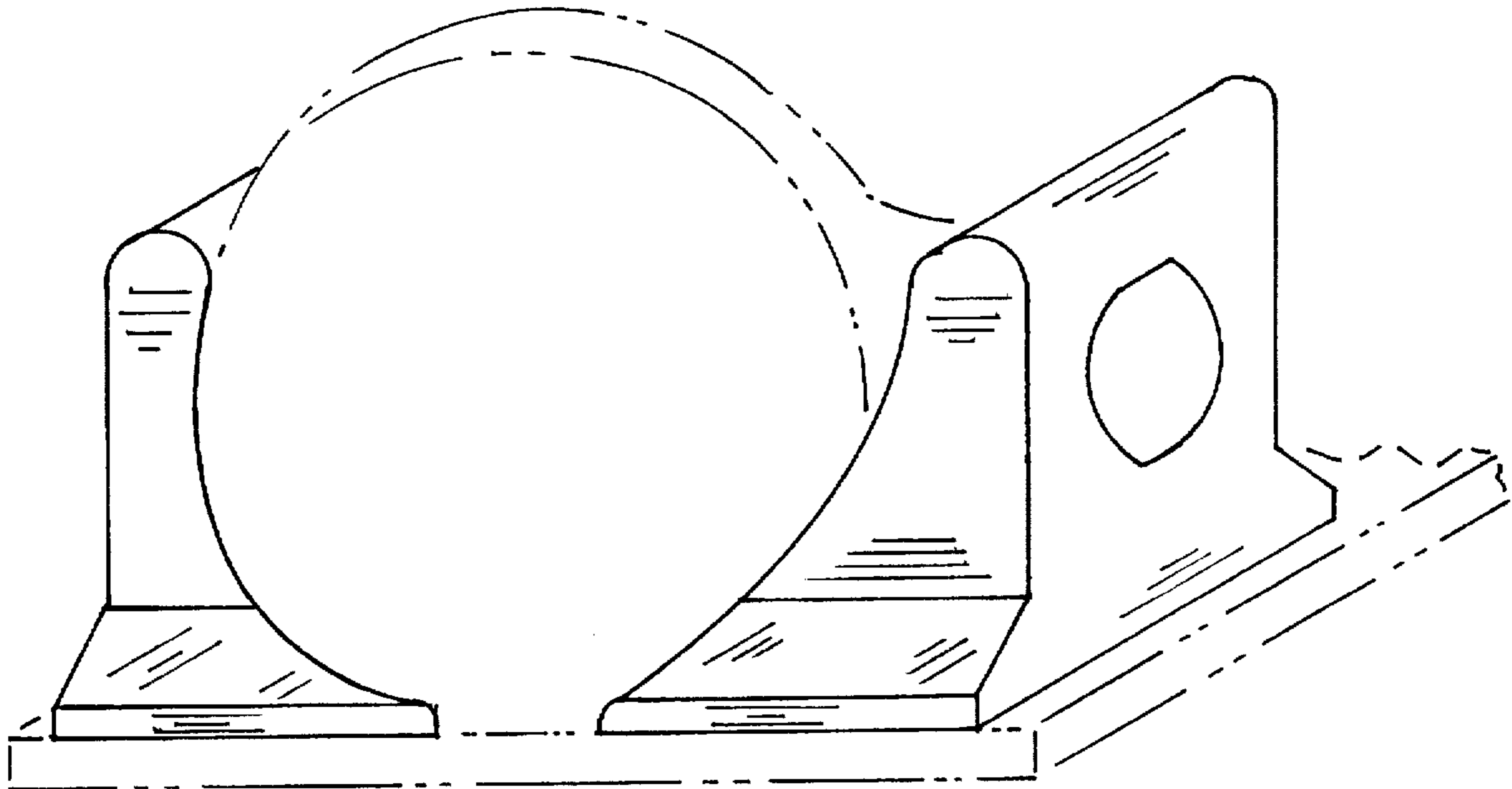
FIG. 6 is a side elevational view thereof, the opposite side elevational view being identical thereto.

[56] References Cited

U.S. PATENT DOCUMENTS

4,905,712 3/1990 Boulin et al. 128/870
4,964,418 10/1990 Wilson 128/DIG. 23
5,265,625 11/1993 Bodman 128/870 X

1 Claim, 4 Drawing Sheets



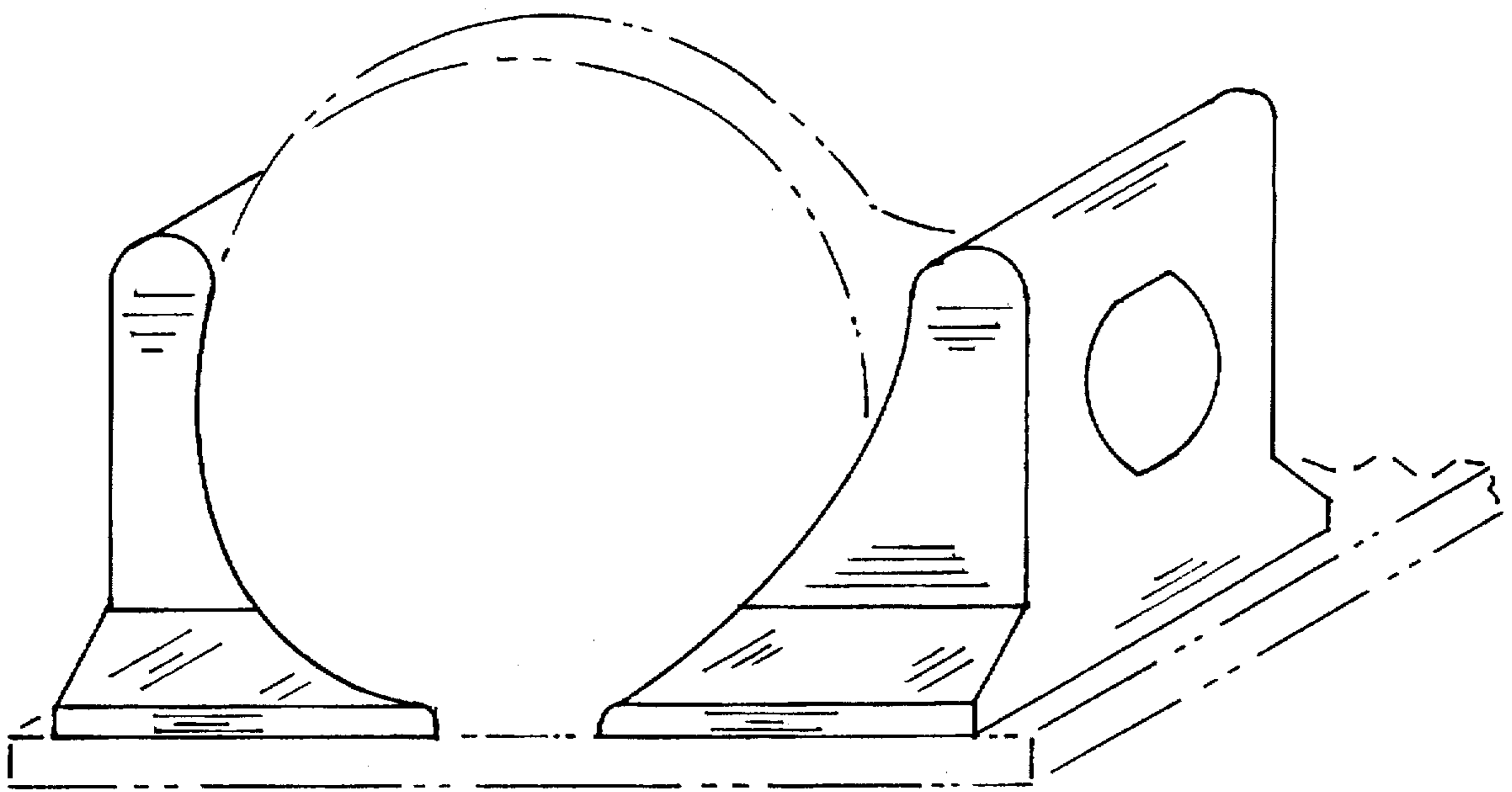


FIG 1

2 OF 4

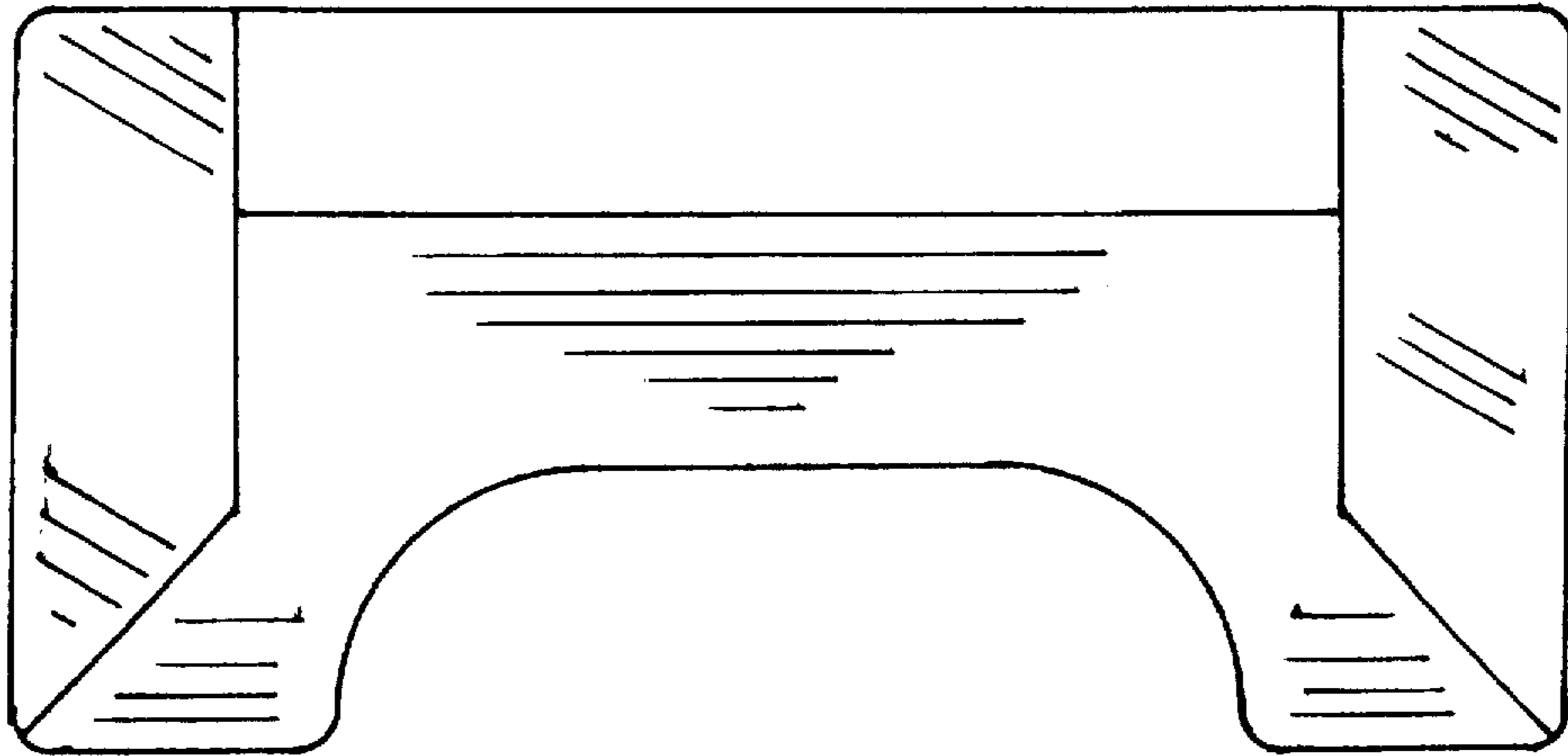


FIG 2

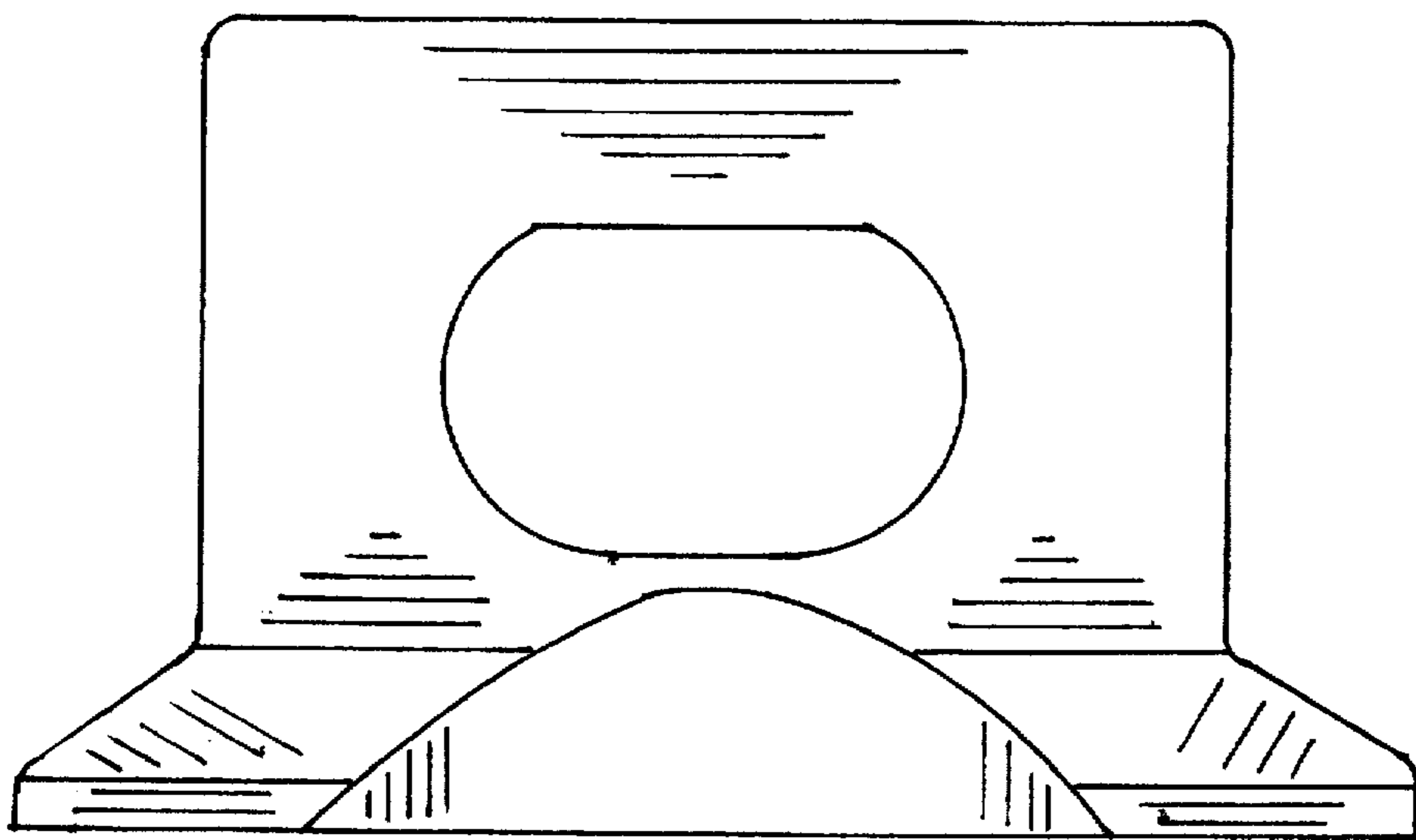


FIG 3

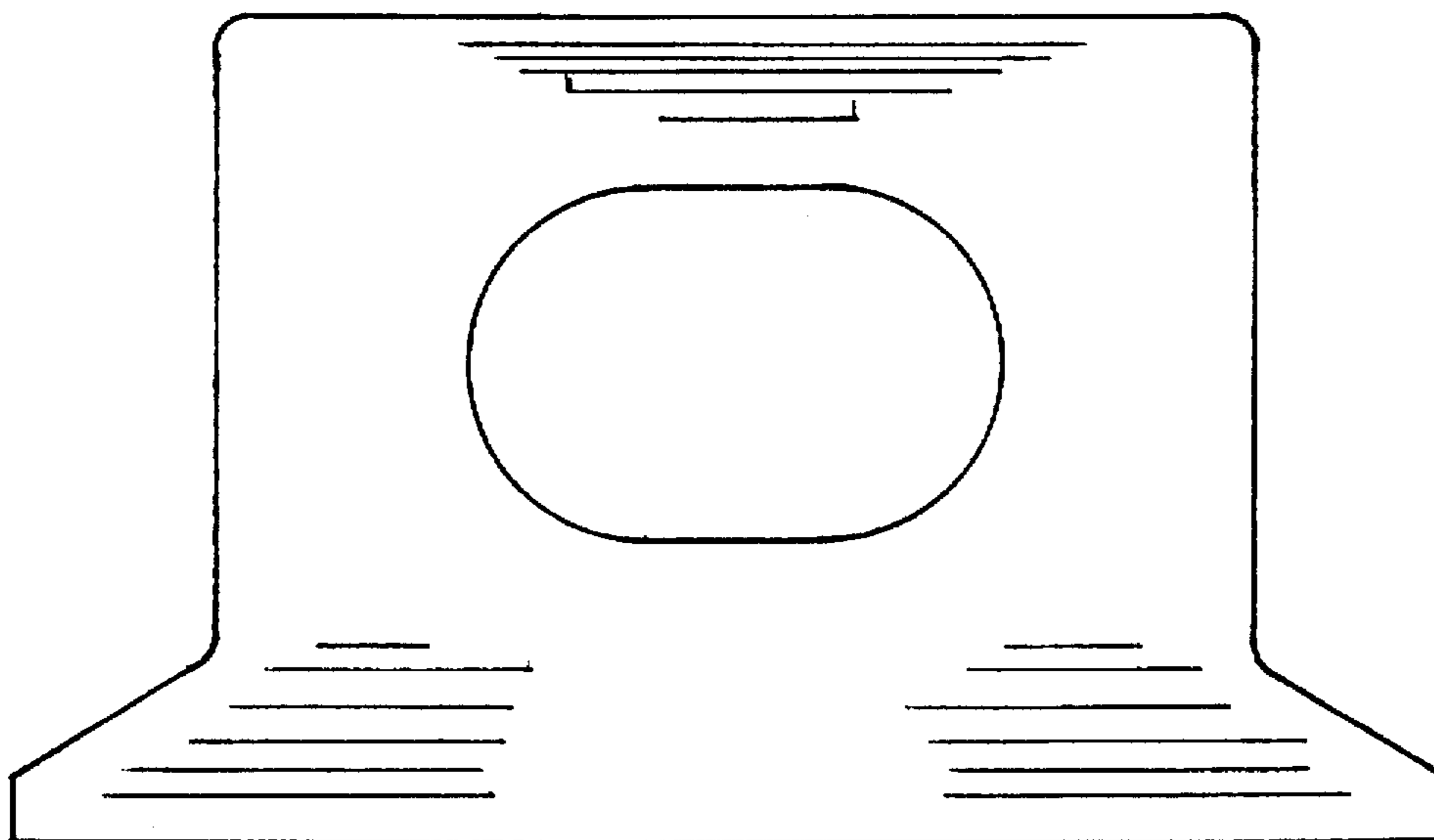


FIG 4

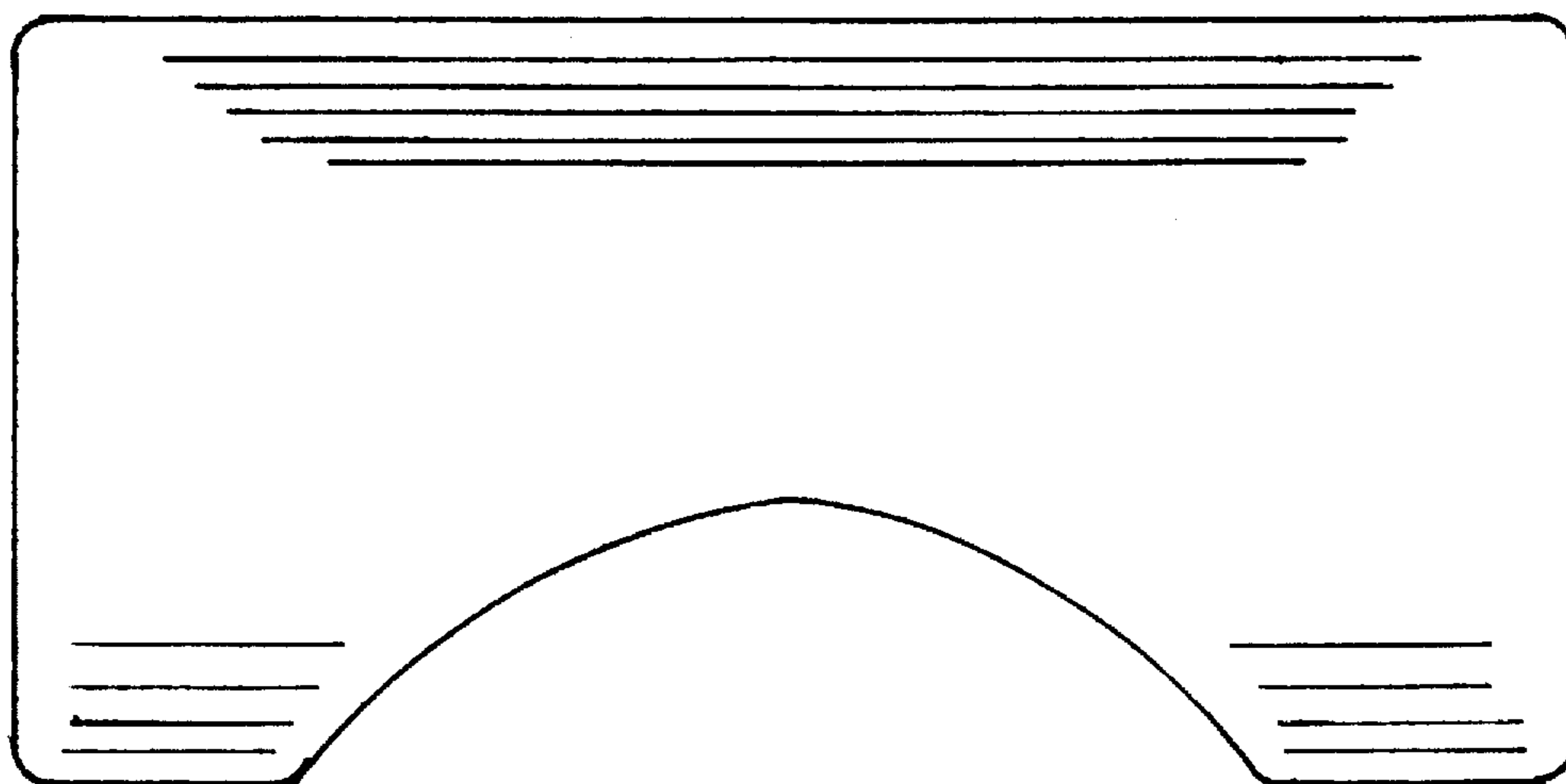


FIG 5

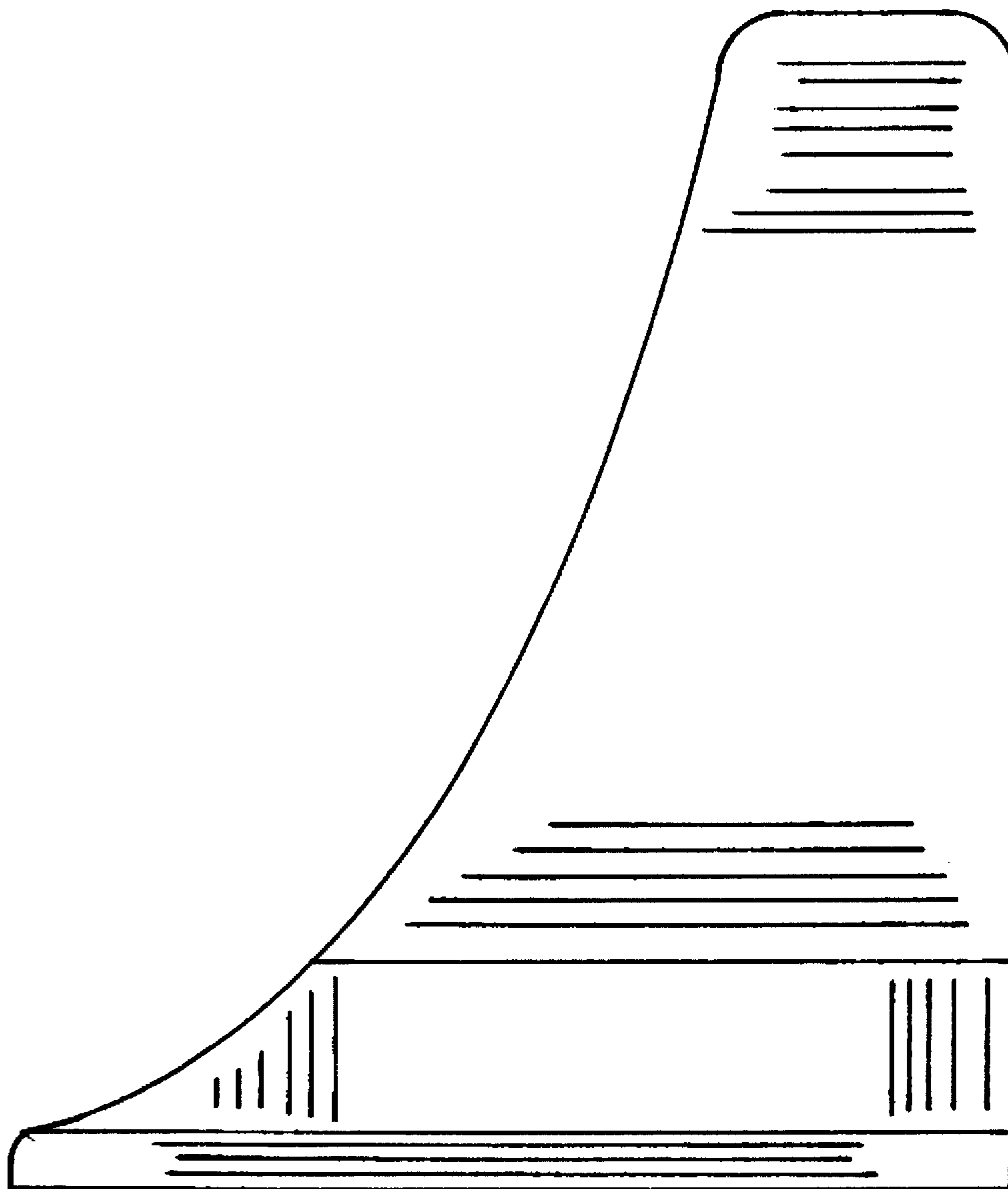


FIG 6