

US00D384154S

**United States Patent** [19]  
**Malmen et al.**

[11] **Patent Number: Des. 384,154**  
[45] **Date of Patent: \*\*Sep. 23, 1997**

[54] **DENTAL CARE UNIT**  
[75] **Inventors: Kari Malmen, Helsinki; Jan Frojzman, Soderkulla, both of Finland**  
[73] **Assignee: Planmeca Oy, Helsinki, Finland**  
[\*\*] **Term: 14 Years**

D. 347,065 5/1994 Castellini ..... D24/178  
4,114,274 9/1978 Jones ..... 433/79 X  
4,430,062 2/1984 Henrichsen et al. .... 433/28  
4,610,630 9/1986 Betush ..... 433/79

*Primary Examiner—Kay H. Chin*  
*Attorney, Agent, or Firm—Steinberg, Raskin & Davidson, P.C.*

[21] **Appl. No.: 43,905**  
[22] **Filed: Sep. 14, 1995**  
[30] **Foreign Application Priority Data**

Mar. 15, 1995 [FI] Finland ..... 194/95  
[51] **LOC (6) Cl. .... 24-01**  
[52] **U.S. Cl. .... D24/178**  
[58] **Field of Search .... D24/176-182;**  
**433/79, 28, 101, 100, 27**

[57] **CLAIM**  
The ornamental design for a dental care unit, as shown and described.

**DESCRIPTION**

FIG. 1 is a left, front perspective view of a dental care unit showing my new design;  
FIG. 2 is also a left, front perspective view thereof;  
FIG. 3 is a right side view thereof;  
FIG. 4 is a right, rear perspective view thereof;  
FIG. 5 is a bottom view thereof;  
FIG. 6 is a left, rear perspective view thereof; and,  
FIG. 7 is a right, front perspective view thereof.

[56] **References Cited**  
**U.S. PATENT DOCUMENTS**  
D. 221,765 9/1971 Johnston ..... D24/178

**1 Claim, 7 Drawing Sheets**

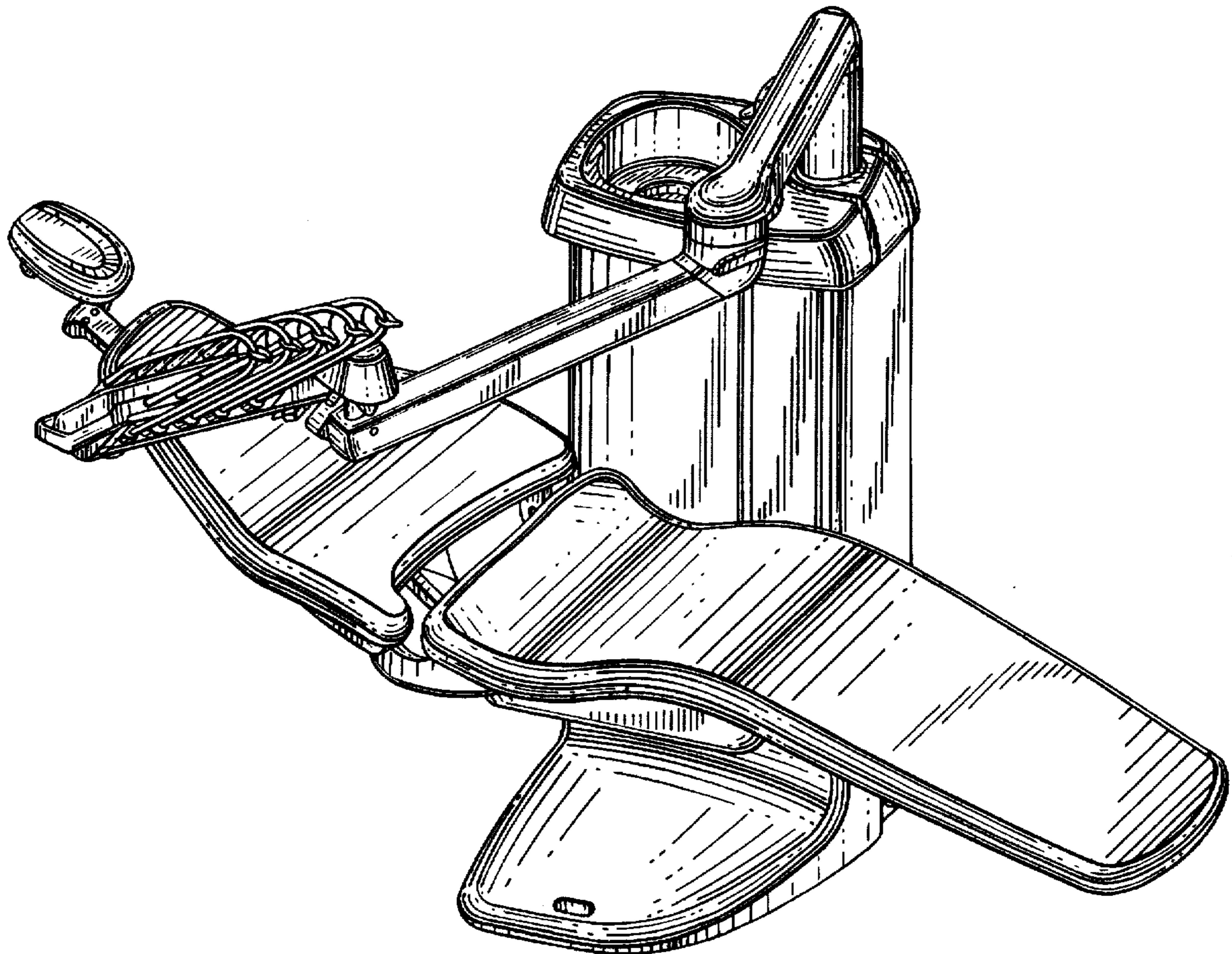
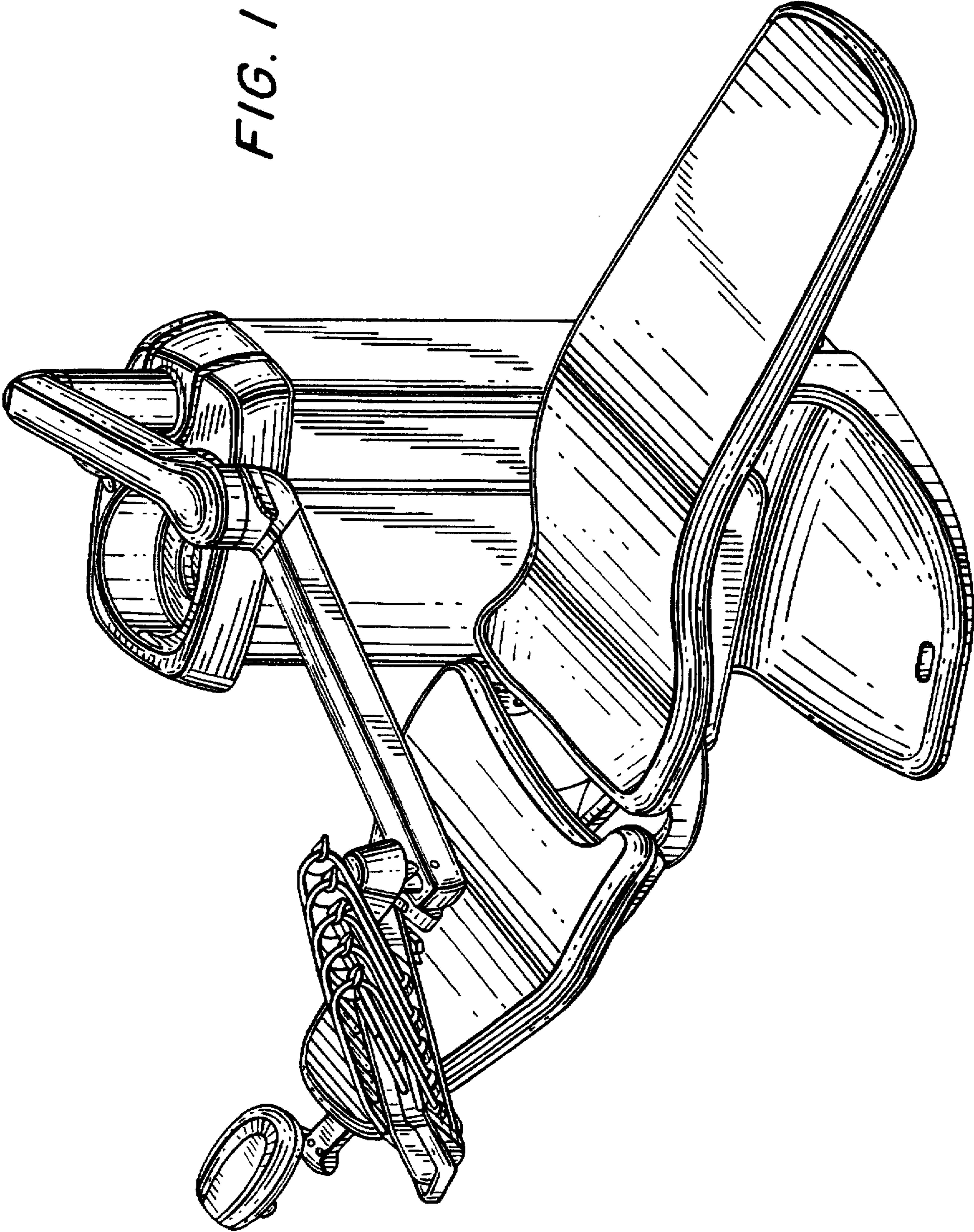


FIG. 1



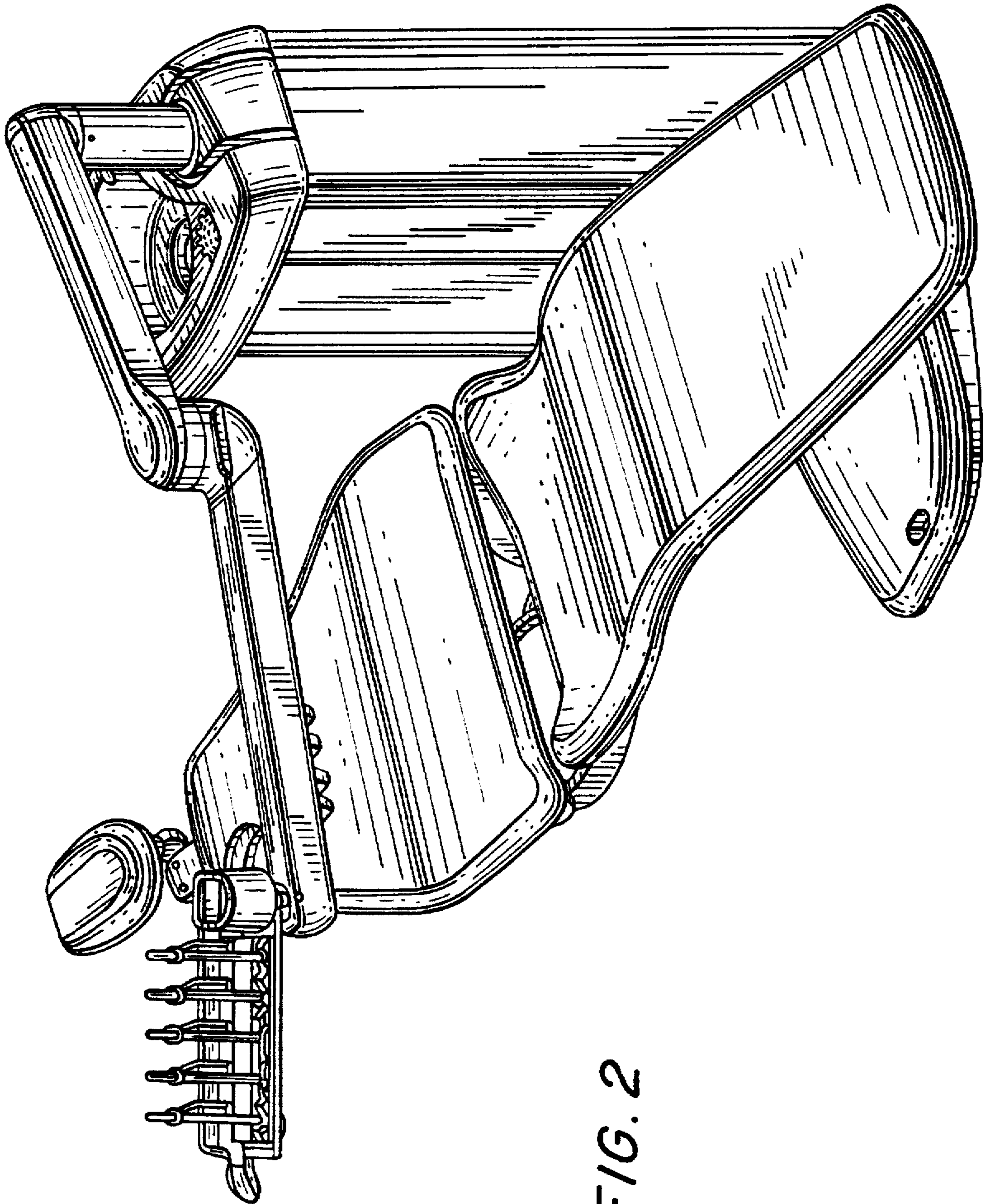


FIG. 2

FIG. 3

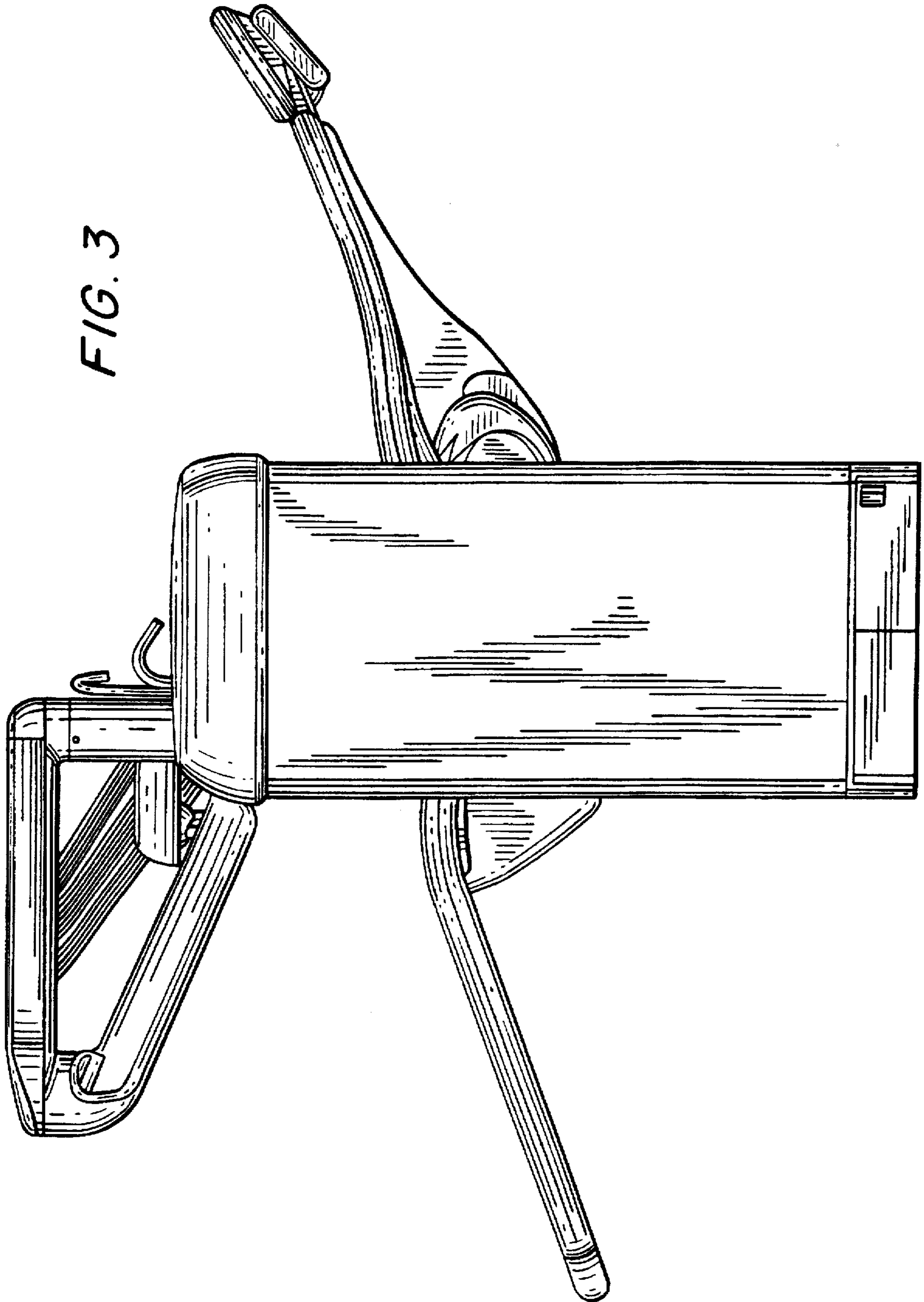
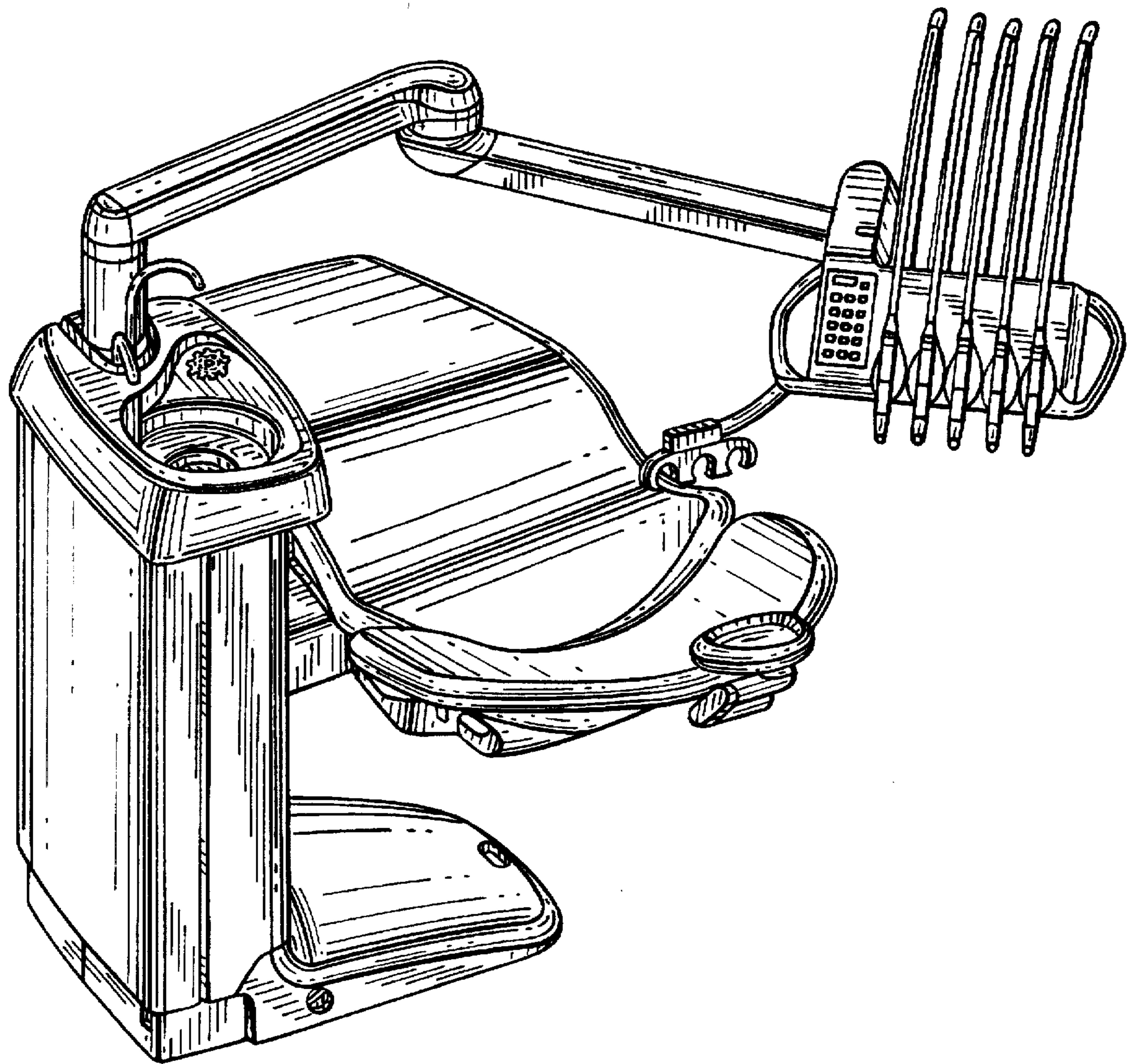


FIG. 4



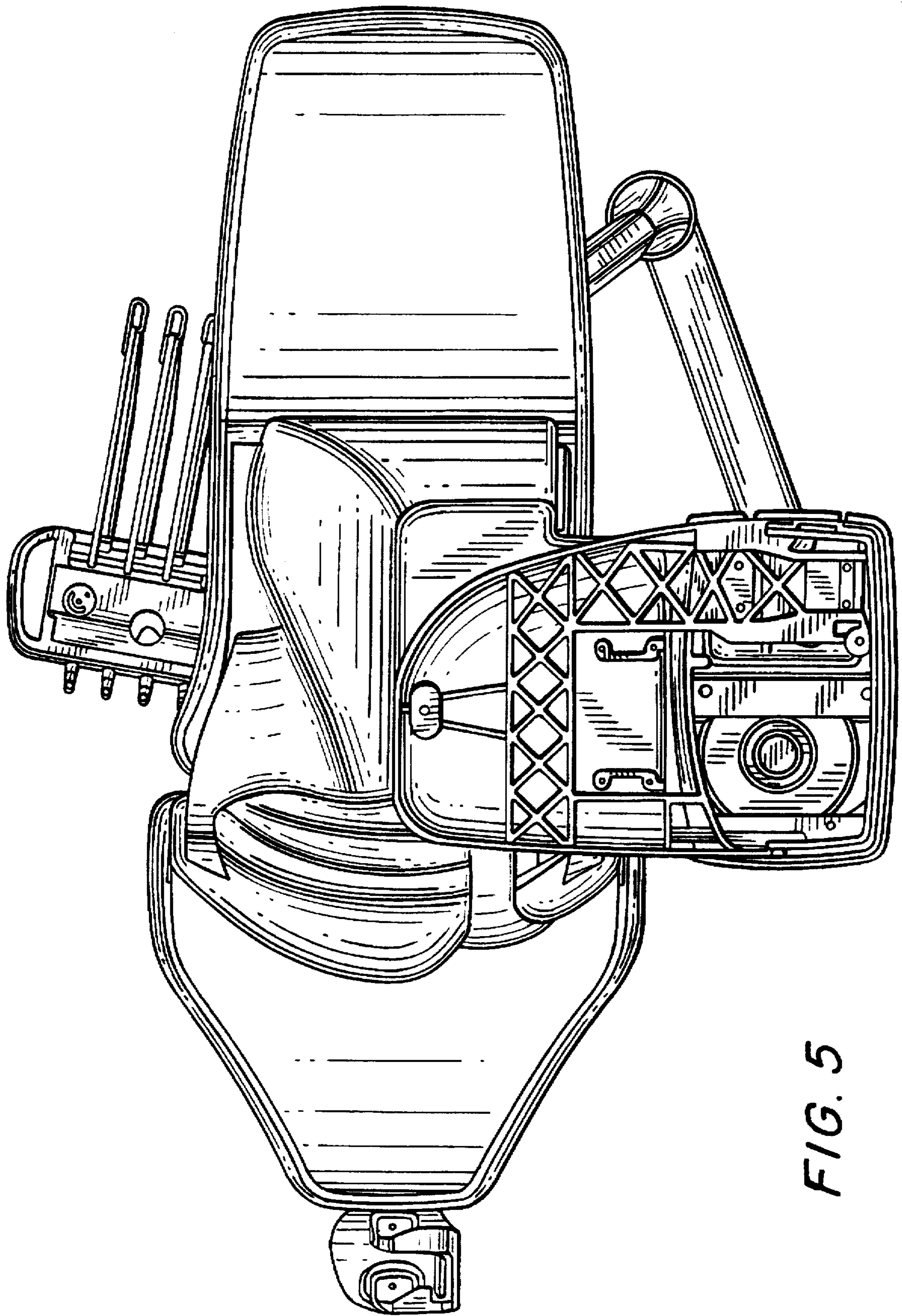


FIG. 5

FIG. 6

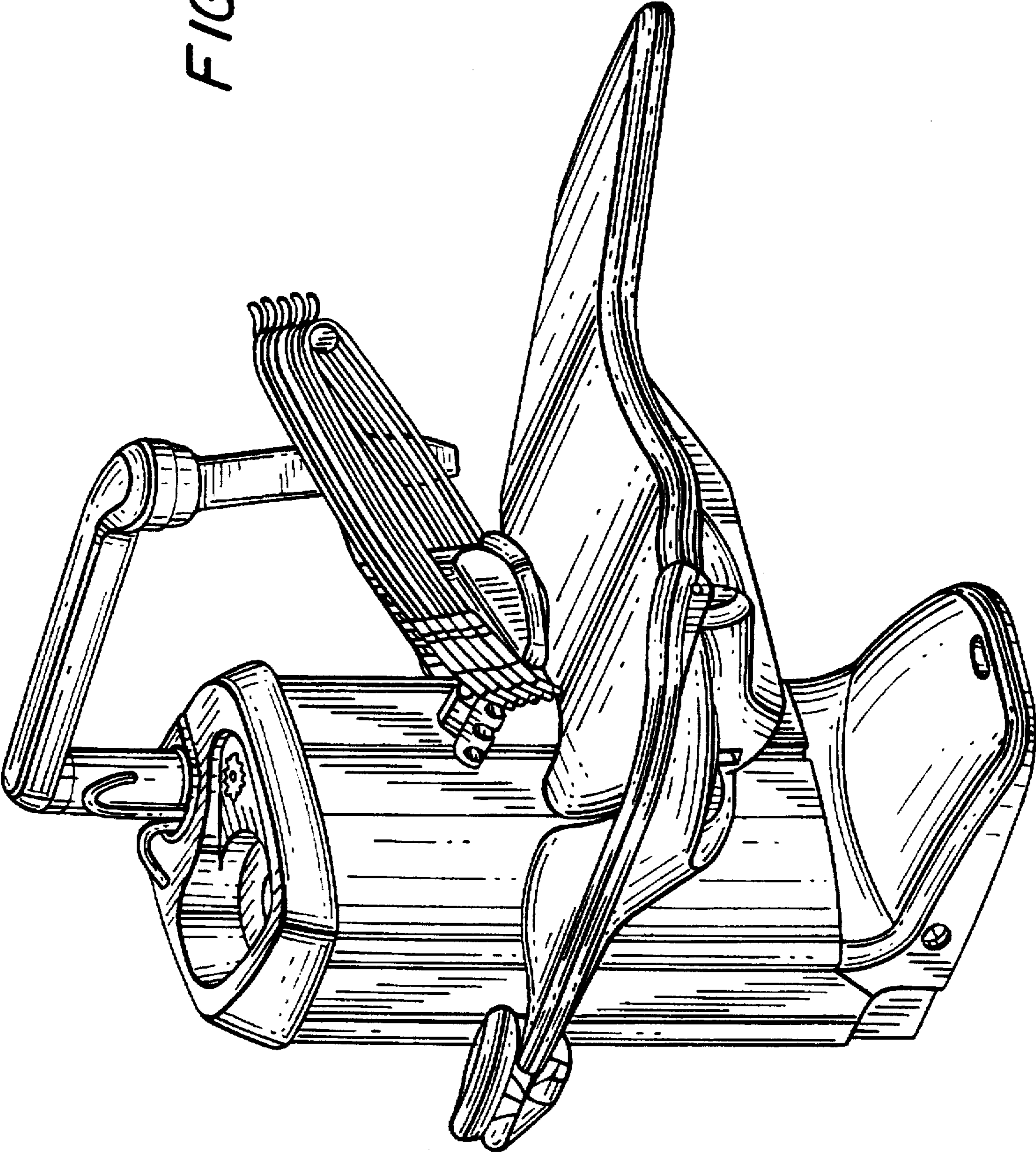


FIG. 7

