

US00D384148S

United States Patent [19]
Monson

[11] **Patent Number: Des. 384,148**
[45] **Date of Patent: **Sep. 23, 1997**

[54] **SMOKE EVACUATOR FOR AN ELECTROCAUTERY SCALPEL**
[75] **Inventor: Donald R. Monson, West St. Paul, Minn.**
[73] **Assignee: Donaldson Company, Inc., Minneapolis, Minn.**
[**] **Term: 14 Years**
[21] **Appl. No.: 51,750**
[22] **Filed: Mar. 18, 1996**

5,234,428 8/1993 Kaufman .
5,242,442 9/1993 Hirschfield .
5,244,462 9/1993 Delahuerga et al. 606/45 X
5,269,781 12/1993 Hewell, III .
5,318,565 6/1994 Kuriloff et al. .
5,413,575 5/1995 Haenggi .
5,431,650 7/1995 Cusmescu 606/45 X
5,451,222 9/1995 De Maagd et al. 606/45 X
5,460,602 10/1995 Shapira 606/39 X

Related U.S. Application Data

[62] Division of Ser. No. 29,445, Oct. 6, 1994, Pat. No. Des. 373,190.
[51] **LOC (6) Cl. 24-02**
[52] **U.S. Cl. D24/112; D24/144**
[58] **Field of Search D24/112, 144; 604/22, 46, 50, 902, 119, 26, 33, 34; 606/10-39, 49, 45, 41, 42, 37**

OTHER PUBLICATIONS

J.S. Calder et al., *Annals of the Royal College of Surgeons of England*, "Smoke Evacuation During Surgery," pp. 854-855 (1992) vol. 74,370.

Primary Examiner—Louis S. Zarfaz
Assistant Examiner—I. Simmons
Attorney, Agent, or Firm—Merchant, Gould, Smith, Edell, Welter & Schmidt, P.A.

CLAIM

The ornamental design for a smoke evacuator for an electrocautery scalpel, as shown and described.

DESCRIPTION

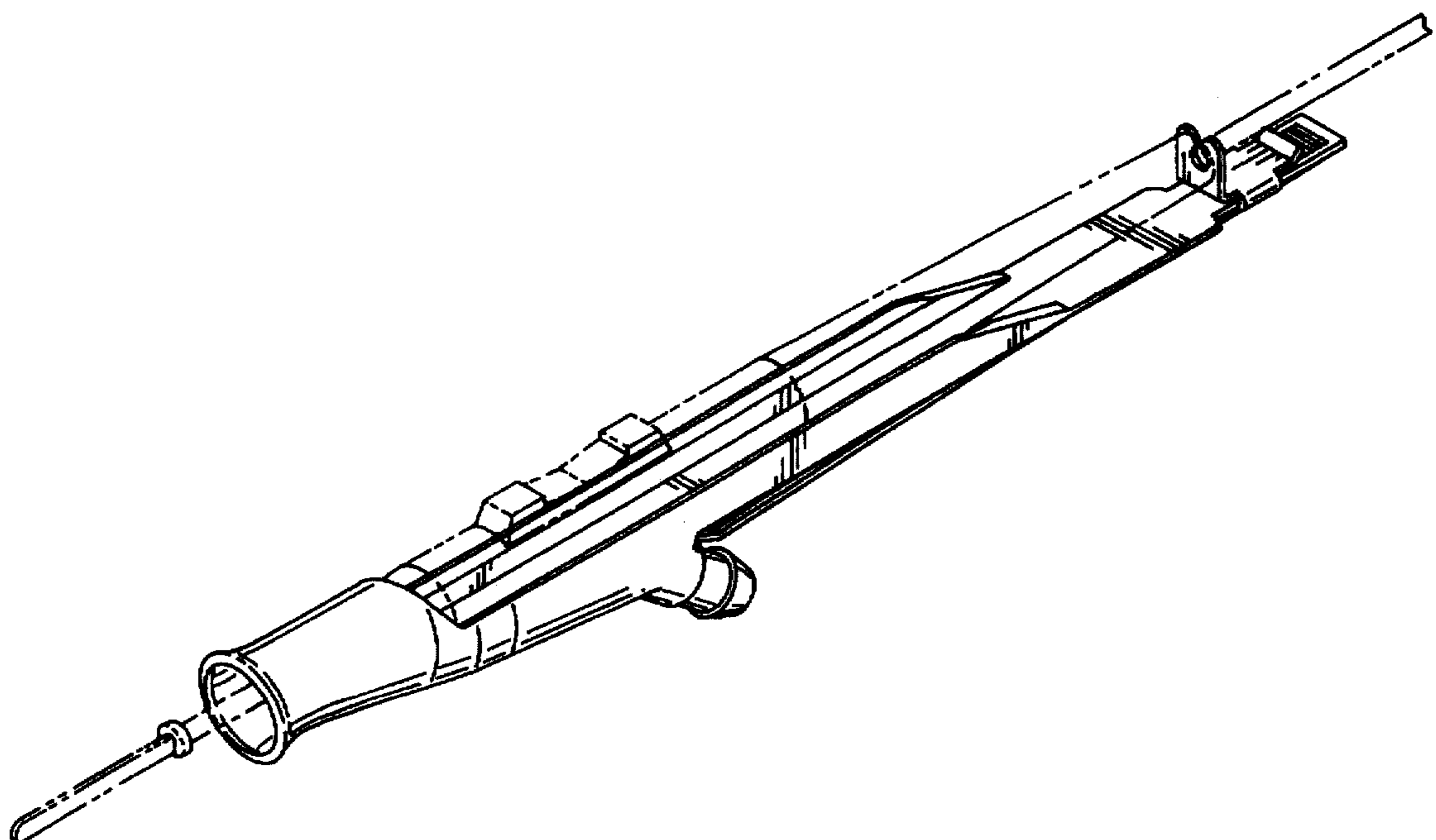
FIG. 1 is a perspective view of a smoke evacuator for an electrocautery scalpel showing my new design, the broken line showing of the electrocautery scalpel is for illustrative purposes only and forms no part of the claimed design; FIG. 2 is a side view thereof, the opposite side of that shown being a mirror image; FIG. 3 is a top view thereof; FIG. 4 is a bottom view thereof; FIG. 5 is a front view thereof; and, FIG. 6 is a back view thereof.

References Cited

U.S. PATENT DOCUMENTS

D. 330,253 10/1992 Burek .
4,719,914 1/1988 Johnson .
4,919,129 4/1990 Weber, Jr. et al. .
4,960,419 10/1990 Olsen .
5,055,100 10/1991 Fleenor .
5,071,418 12/1991 Rosenbaum .
5,085,657 2/1992 Ben-Simhon .
5,088,997 2/1992 Delahuerga et al. .
5,154,709 10/1992 Johnson .
5,192,267 3/1993 Shapira et al. .

1 Claim, 3 Drawing Sheets



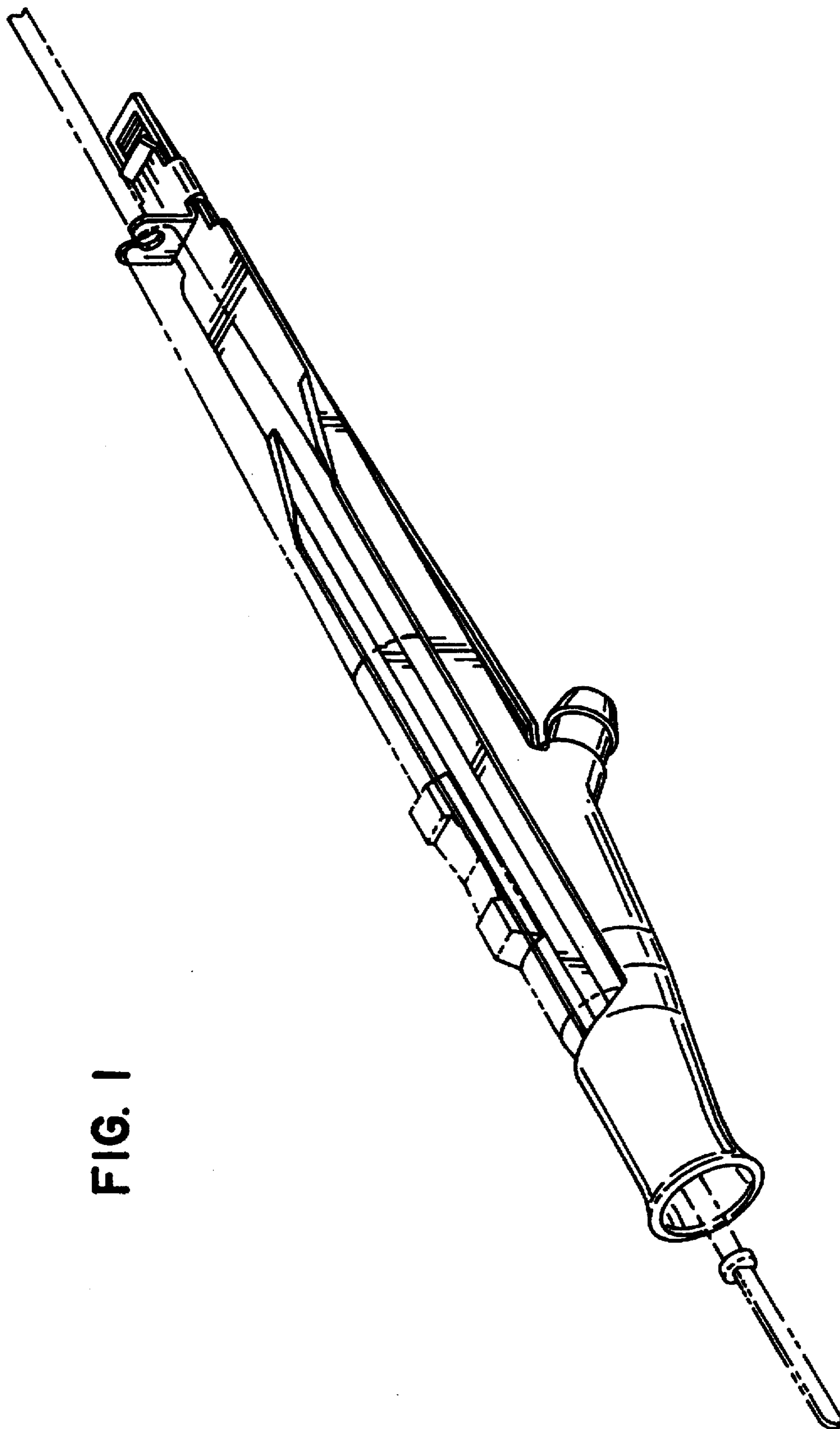


FIG. 1

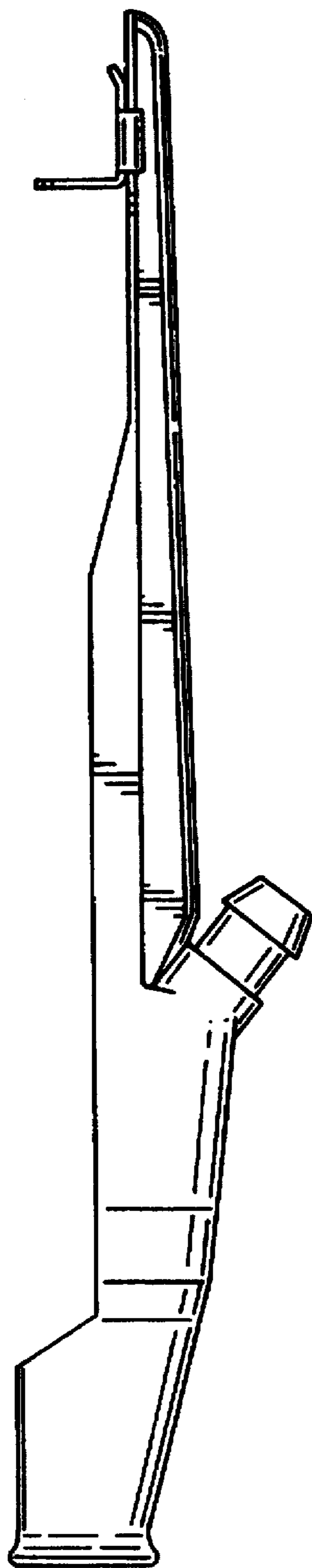


FIG. 2

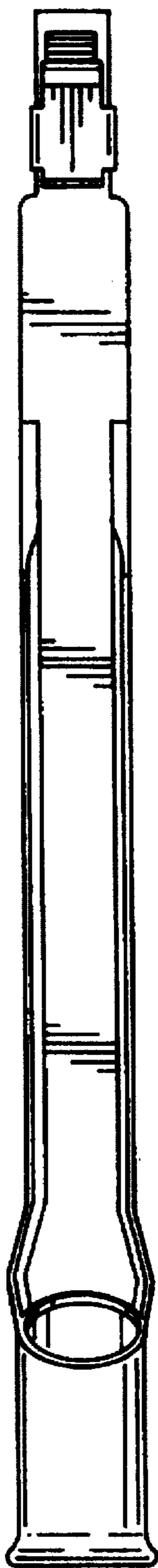


FIG. 3

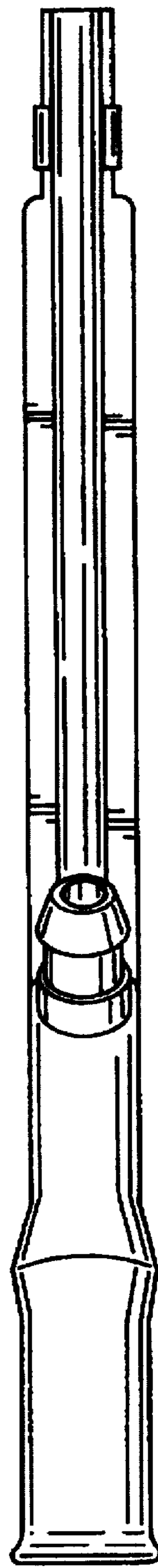


FIG. 4

FIG. 5

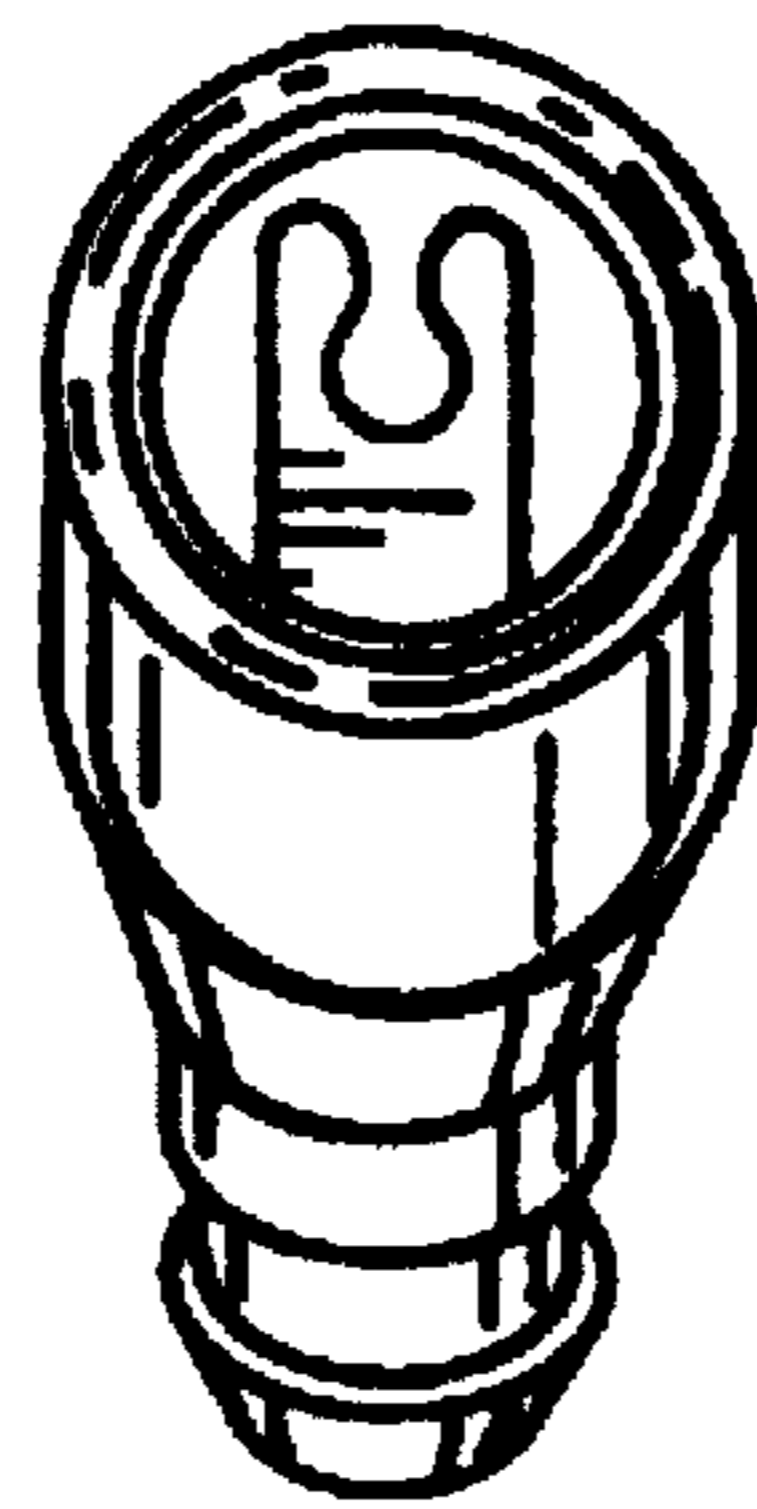


FIG. 6

