



US00D384146S

# United States Patent [19] Smith

[11] Patent Number: **Des. 384,146**  
[45] Date of Patent: **\*\*Sep. 23, 1997**

[54] **LARYNGECTOMY FILTER ASSEMBLY**

[75] Inventor: **Rory James Maxwell Smith**, North  
Yorkshire, Great Britain

[73] Assignee: **Kapitex Healthcare Limited**,  
Wetherby, United Kingdom

[\*\*] Term: **14 Years**

[21] Appl. No.: **48,161**

[22] Filed: **Dec. 21, 1995**

[30] **Foreign Application Priority Data**

Jun. 23, 1995 [GB] United Kingdom ..... 2048378

[51] LOC (6) Cl. .... **29-02**

[52] U.S. Cl. .... **D24/110; D24/110.6**

[58] Field of Search ..... D24/110, 110.5,  
D24/110.6, 162; 128/205.12, 205.29, 205.27,  
206.16, 206.29, 204.12, 204.13, 206.11,  
206.18, 201.13, 201.43

[56] **References Cited**

**U.S. PATENT DOCUMENTS**

D. 313,673 1/1991 Karcher ..... D24/110.5 X

5,022,394 6/1991 Chmielinski ..... 128/207.14  
5,042,468 8/1991 Lambert ..... 128/200.24 X  
5,195,527 3/1993 Hicks ..... D24/162 X  
5,435,306 7/1995 Stuart ..... 128/207.14 X  
5,485,837 1/1996 Solesbee et al. .... 128/207.14  
5,488,947 2/1996 Frankel ..... 128/207.14  
5,520,174 5/1996 Evans et al. .... 128/DIG. 26 X

*Primary Examiner*—Louis S. Zarfes

*Assistant Examiner*—I. Simmons

*Attorney, Agent, or Firm*—Merchant, Gould, Smith, Edell,  
Welter & Schmidt, P.A.

[57] **CLAIM**

The ornamental design for a laryngectomy filter assembly, as shown.

**DESCRIPTION**

FIG. 1 is a top plan view;  
FIG. 2 is a bottom plan view;  
FIG. 3 is a side elevational view;  
FIG. 4 is an end elevational view;  
FIG. 5 is an exploded perspective view; and,  
FIG. 6 is top perspective view.

**1 Claim, 4 Drawing Sheets**

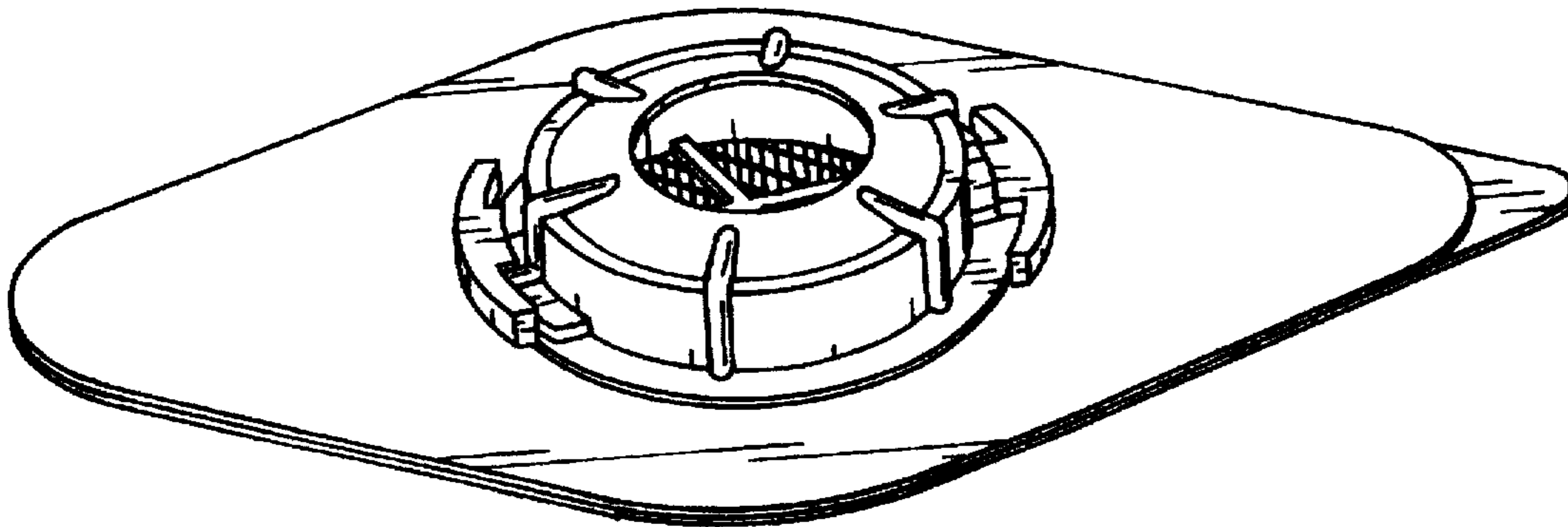


FIG. 1

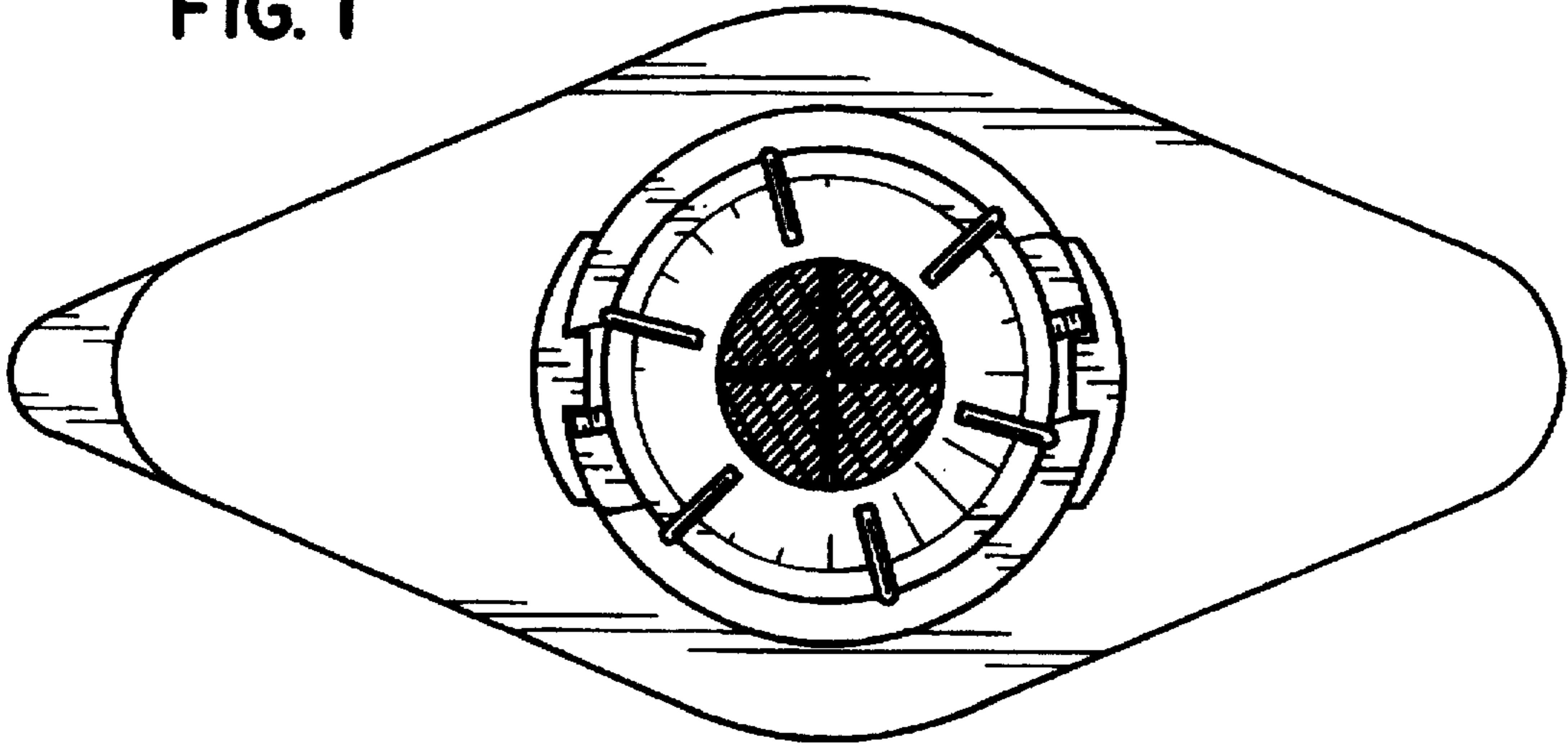
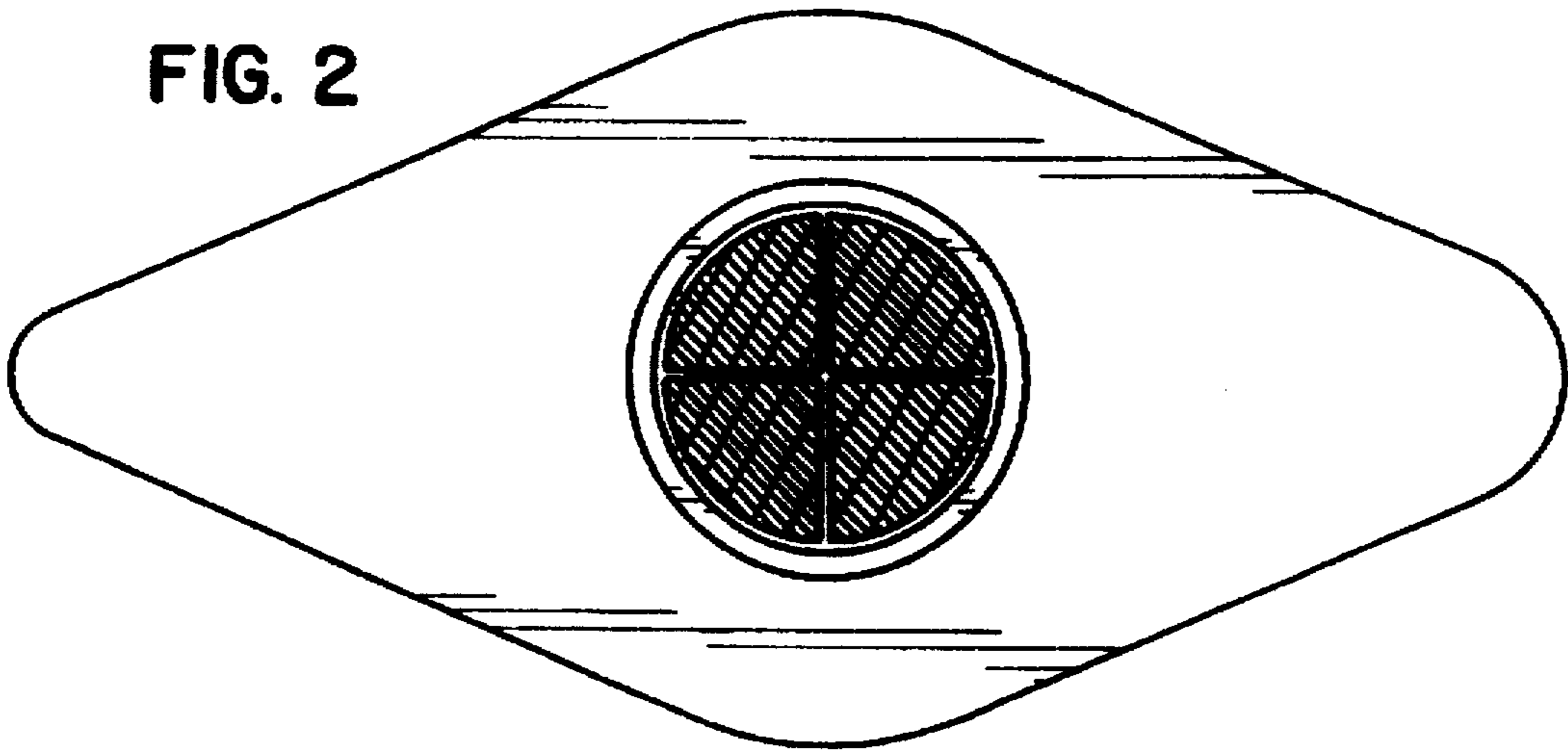
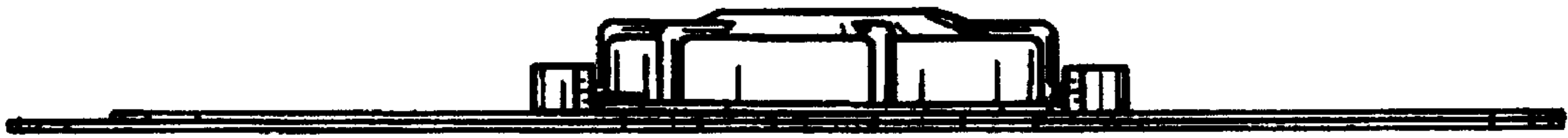


FIG. 2



**FIG. 3**



**FIG. 4**

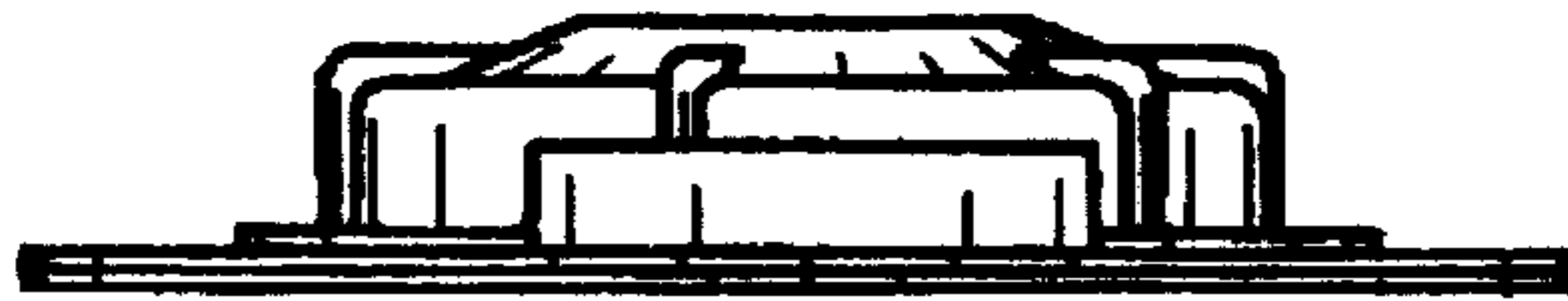


FIG. 5

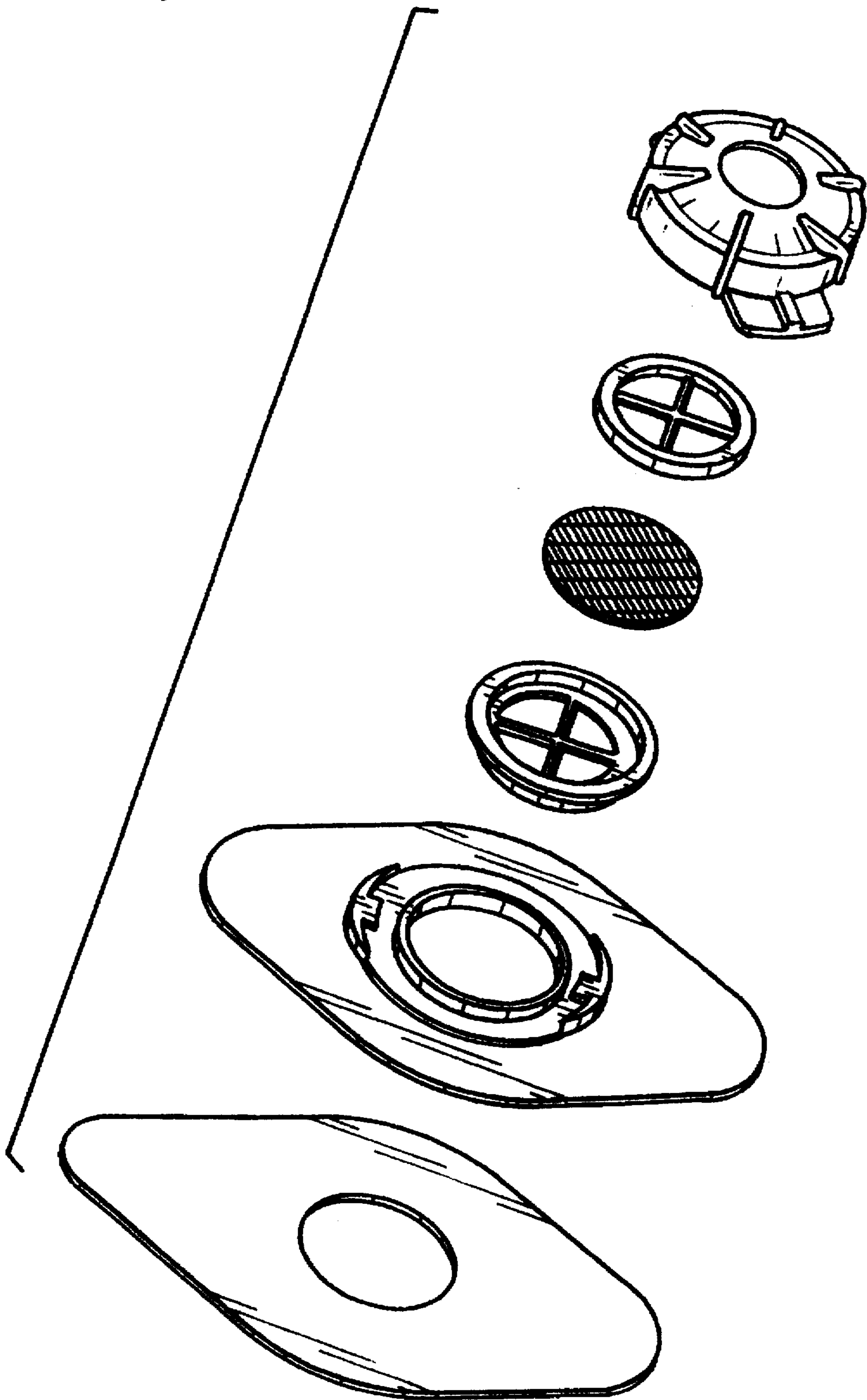


FIG. 6

