

US00D384144S

United States Patent [19]
DuBois

[11] **Patent Number: Des. 384,144**
[45] **Date of Patent: **Sep. 23, 1997**

[54] **PORTABLE FAN**
[75] **Inventor: Craig A. DuBois, Trumbull, Conn.**
[73] **Assignee: Black & Decker Inc., Newark, Del.**
[**] **Term: 14 Years**

2,710,338 6/1955 Svalgaard .
3,225,982 12/1965 Melton .
3,491,374 1/1970 Frangos .
4,687,414 8/1987 Wardy .
5,304,035 4/1994 Carter .

FOREIGN PATENT DOCUMENTS

488502 12/1952 Canada 417/411

[21] **Appl. No.: 58,058**
[22] **Filed: Aug. 7, 1996**
[51] **LOC (6) CL 23-04**
[52] **U.S. Cl. D23/370; D23/332**
[58] **Field of Search D23/382, 381,
D23/332, 328, 335, 370, 411, 412; 416/61;
417/411; D28/12, 13, 15, 18**

OTHER PUBLICATIONS

HED, Feb. 2, 1981, Hair Dryer (a), top right side of page.

Primary Examiner—Lisa Lichtenstein
Attorney, Agent, or Firm—Barry E. Deutsch

[57] **CLAIM**

The ornamental design for a portable fan, as shown.

DESCRIPTION

FIG. 1 is an elevational view taken from the front, right side, and top of a portable fan illustrating my new design; FIG. 2 is a right side elevational view thereof; FIG. 3 is a left side elevational view thereof; FIG. 4 is a top plan view thereof; FIG. 5 is a bottom plan view thereof; FIG. 6 is a front elevational view thereof; and, FIG. 7 is a rear elevational view thereof.

1 Claim, 6 Drawing Sheets

References Cited

U.S. PATENT DOCUMENTS

D. 311,783 10/1990 Howard .
D. 313,275 12/1990 Aida .
D. 327,947 7/1992 Clark D23/382
D. 349,570 8/1994 Radtfe, Jr. .
D. 365,393 12/1995 Geun .
D. 372,772 8/1996 Dubois et al. D23/382
758,305 4/1904 Fergusson .
1,504,003 8/1924 Trumbull .
2,572,889 10/1951 Strykower .

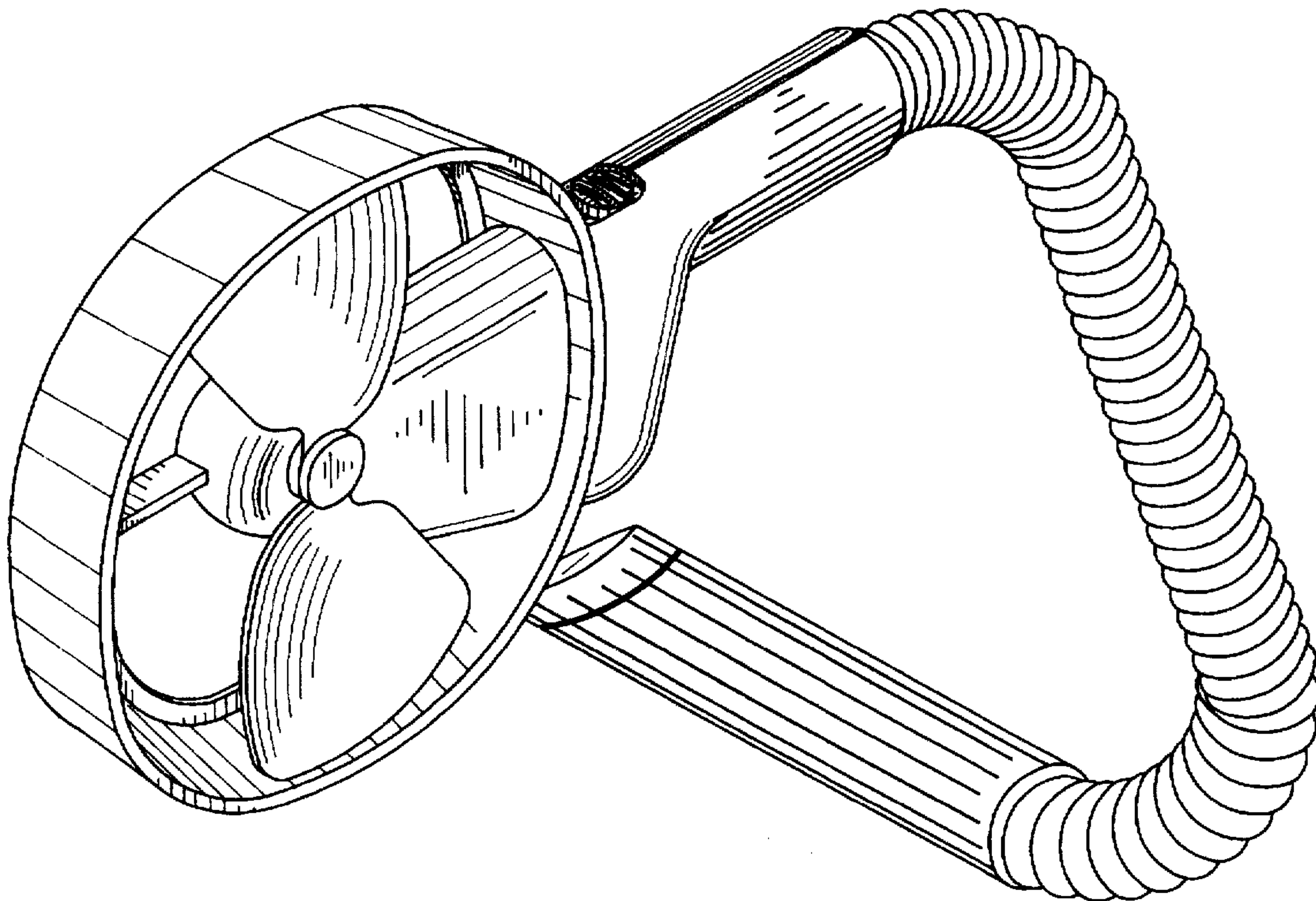
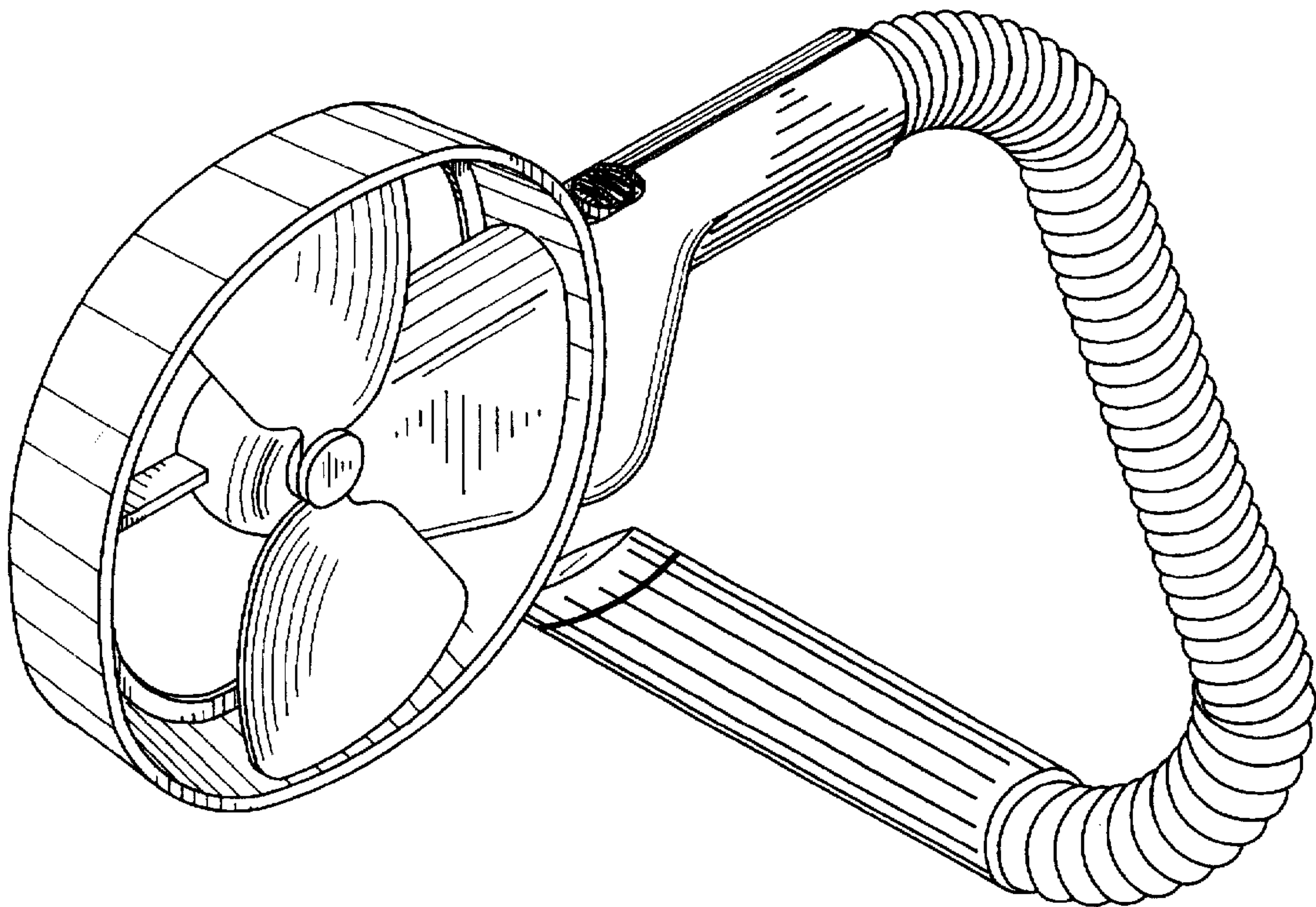


FIG. 1



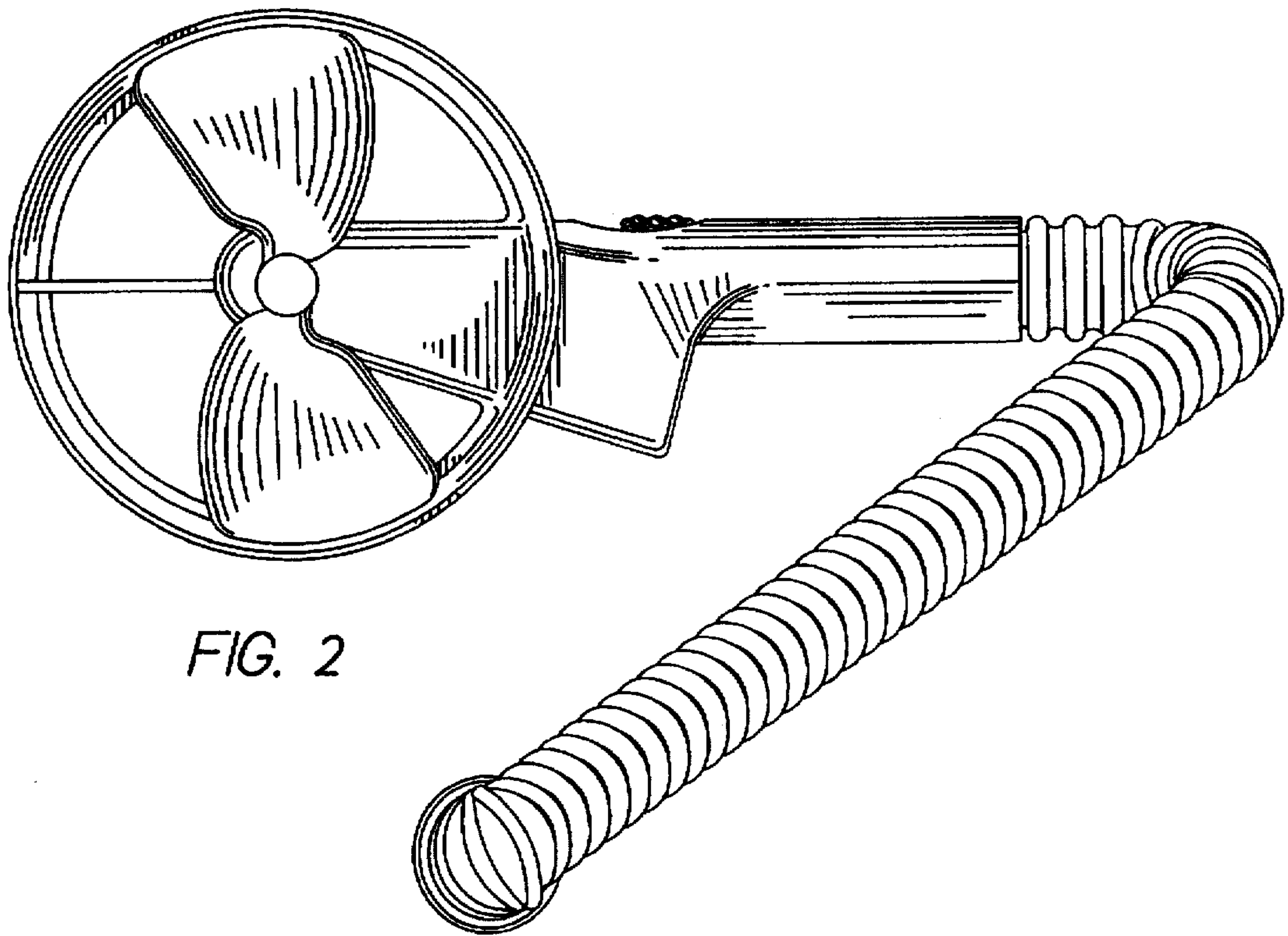


FIG. 2

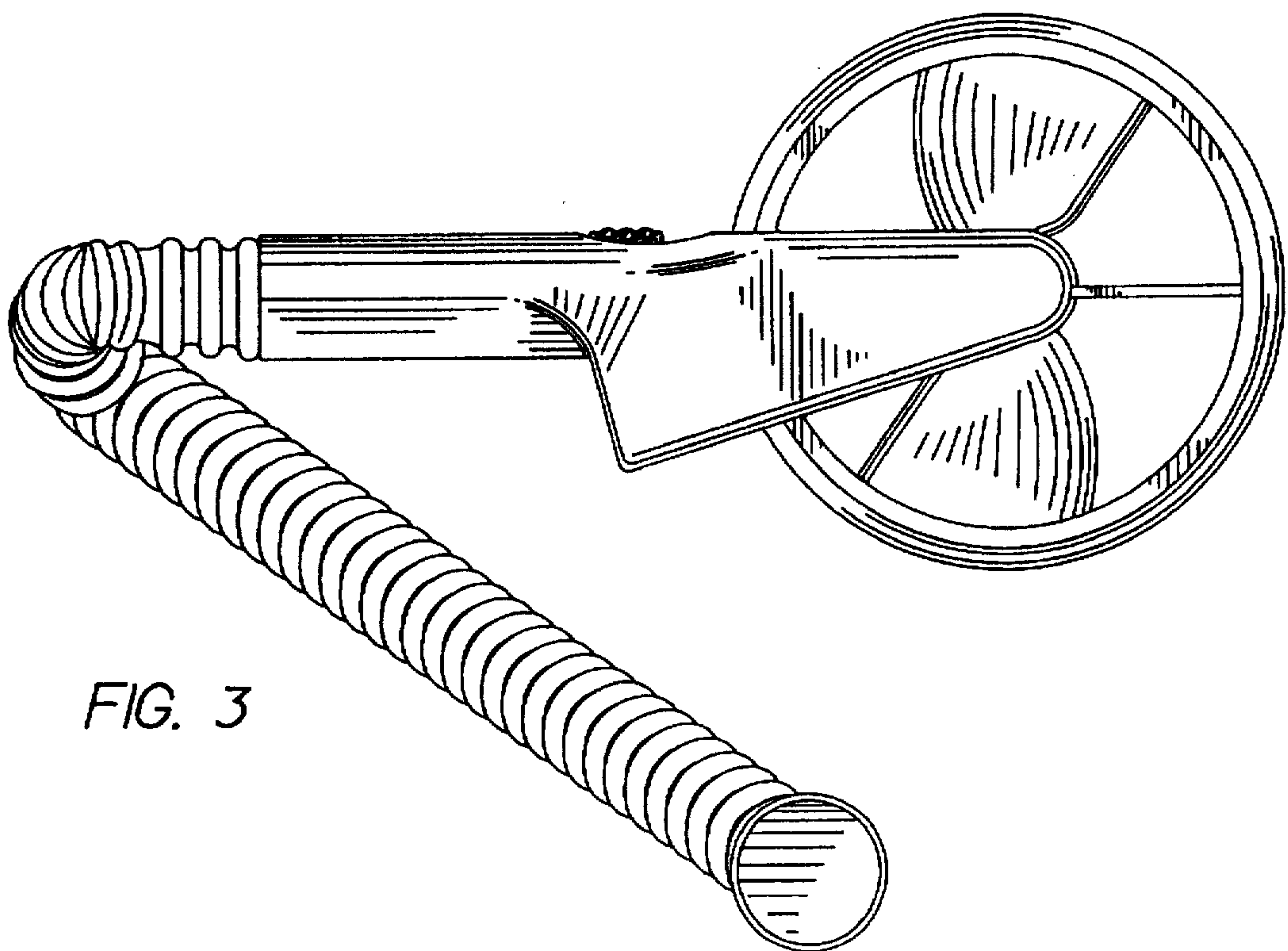


FIG. 3

FIG. 4

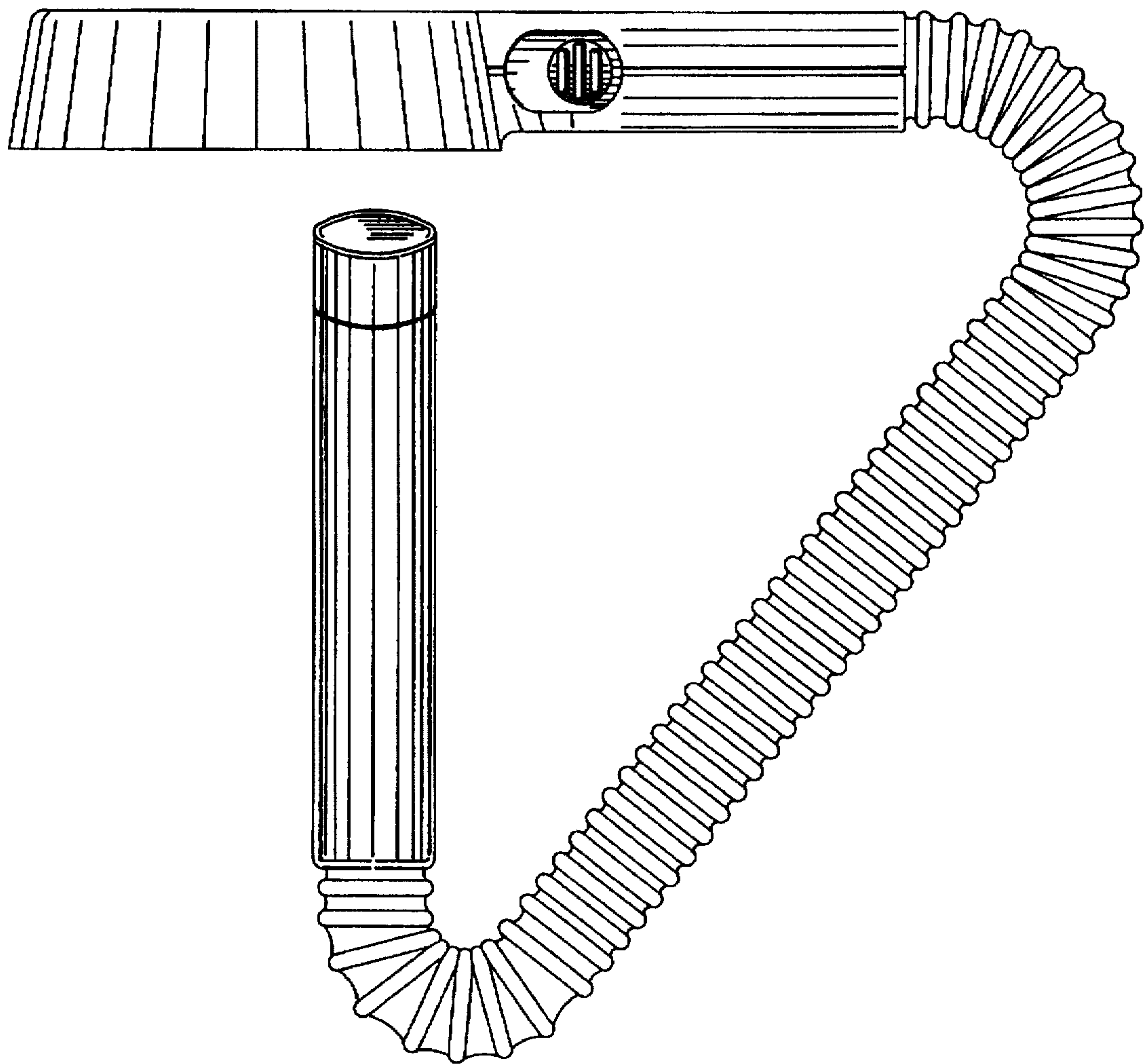
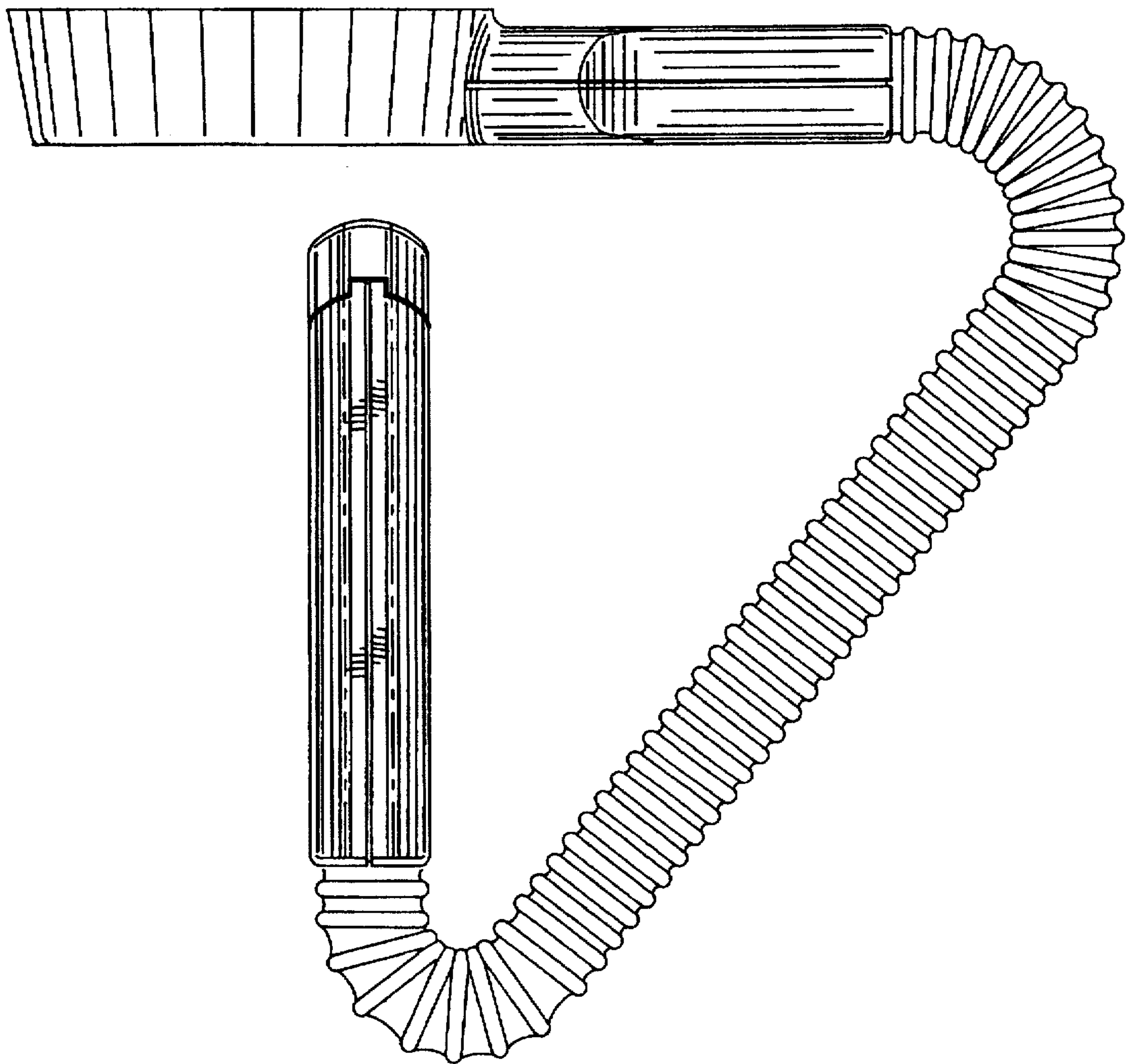


FIG. 5



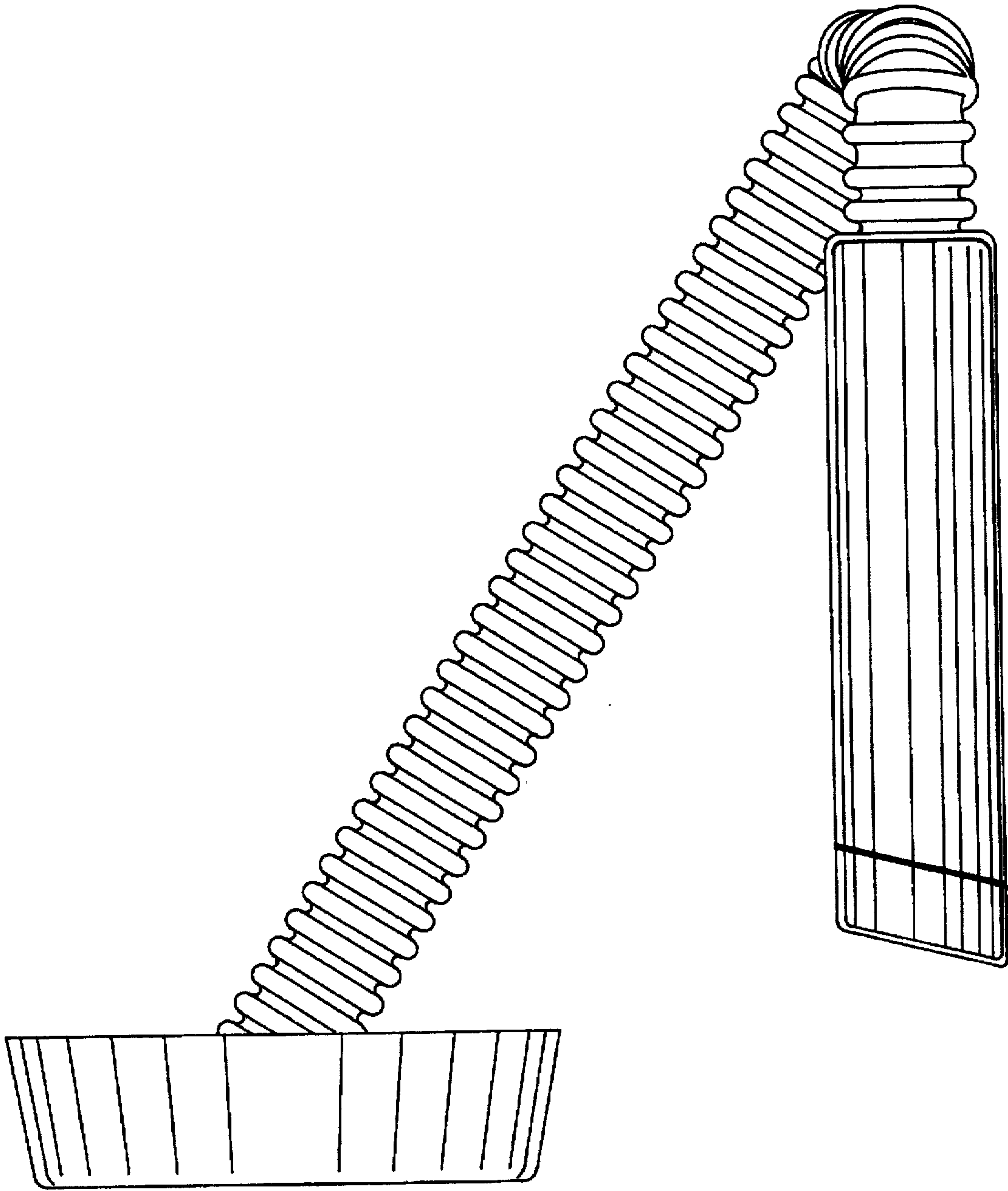


FIG. 6

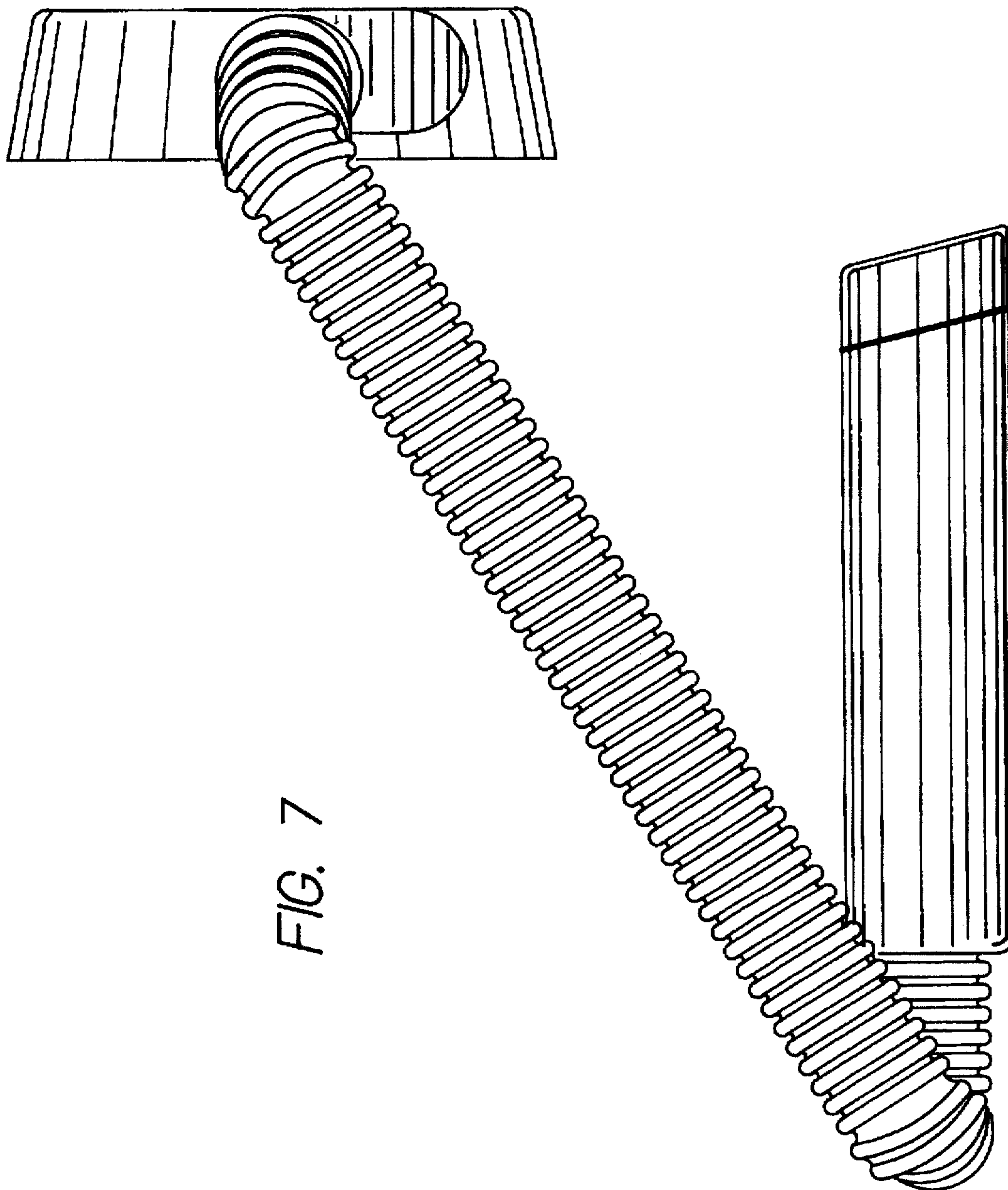


FIG. 7