



US00D384143S

United States Patent [19]
Racinelli

[11] **Patent Number: Des. 384,143**
[45] **Date of Patent: **Sep. 23, 1997**

[54] **POTPOURRI SIMMER VASE**

D. 361,632 8/1995 Ratia D26/9
3,279,118 10/1966 Allen 239/57

[75] **Inventor: Ennio V. Racinelli, Canyon Lake, Calif.**

Primary Examiner—Lisa Lichtenstein
Attorney, Agent, or Firm—Knobbe, Martens, Olson & Bear, LLP

[73] **Assignee: Endar Corporation, Temecula, Calif.**

[**] **Term: 14 Years**

[57] **CLAIM**

[21] **Appl. No.: 55,672**

The ornamental design for a potpourri simmer vase, as shown and described.

[22] **Filed: Jun. 10, 1996**

DESCRIPTION

[51] **LOC (6) Cl. 23-04**

[52] **U.S. Cl. D23/366; D7/355; D23/367**

[58] **Field of Search D23/366-369; D7/355, 366; D11/143; 126/33, 40; D26/9; 422/120, 123, 125; 239/53, 55, 211; 261/DIG. 65**

FIG. 1 is a top perspective view of the potpourri simmer vase;

FIG. 2 is a top plan view thereof, on a reduced scale;

FIG. 3 is a bottom plan view thereof, on a reduced scale;

FIG. 4 is a front elevational view thereof, on a reduced scale;

FIG. 5 is a right side elevational view thereof, on a reduced scale which is a mirror image of the left side elevational view thereof; and,

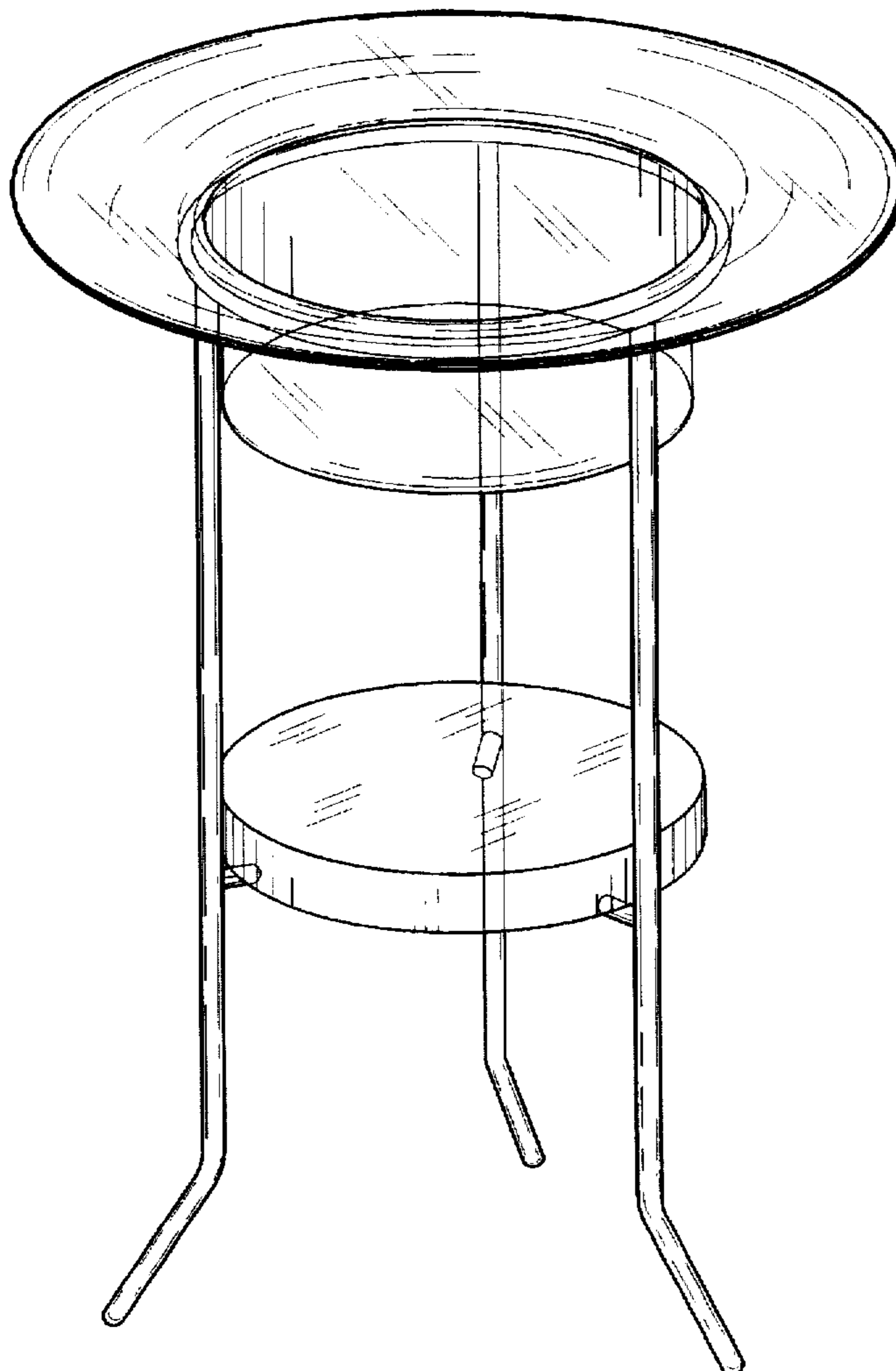
FIG. 6 is a rear elevational view thereof, on a reduced scale.

[56] **References Cited**

U.S. PATENT DOCUMENTS

D. 289,678 5/1987 Fwiatkowski D7/355
D. 300,811 4/1989 Strafella D23/367

1 Claim, 2 Drawing Sheets



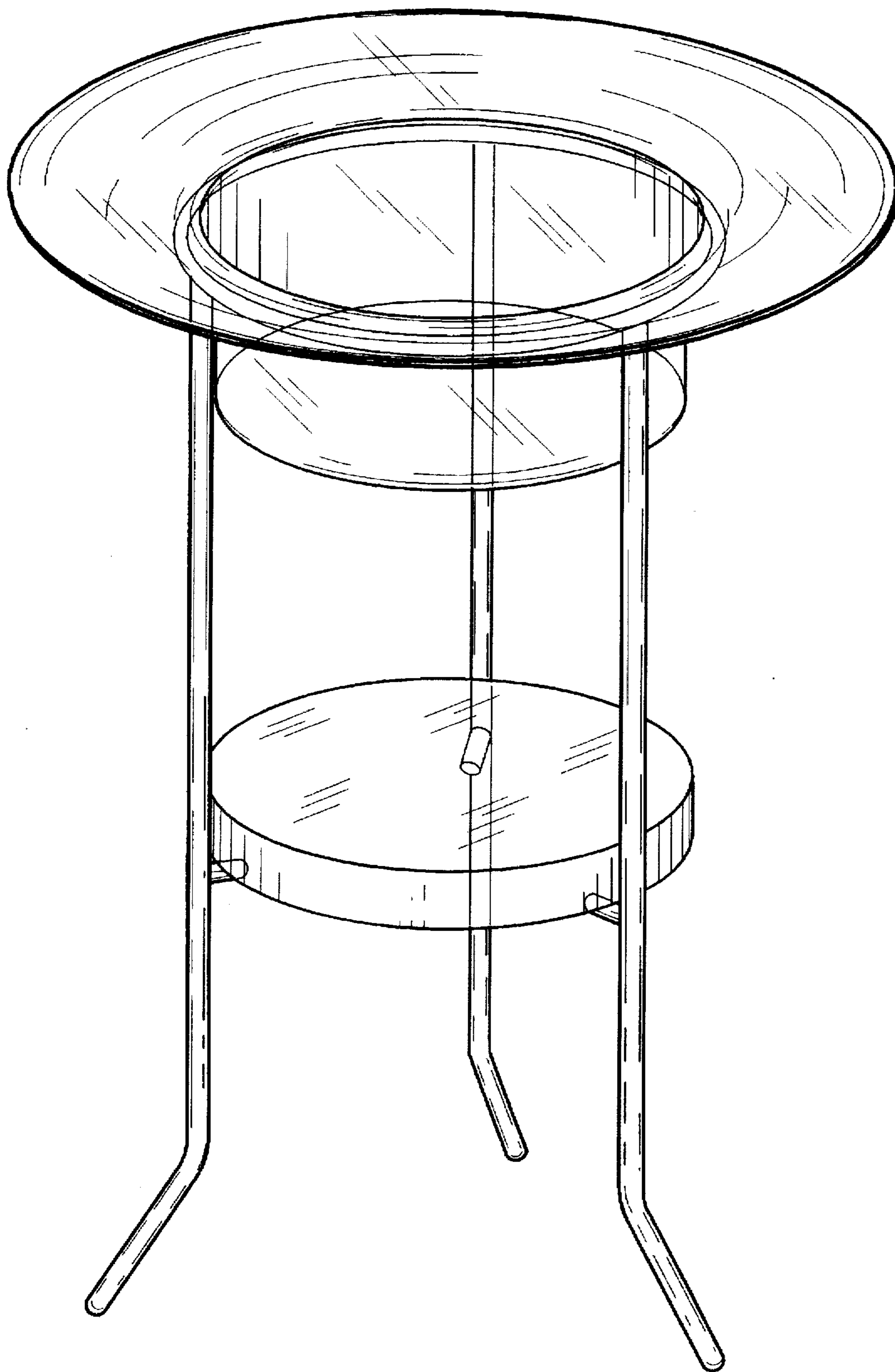


FIG. 1

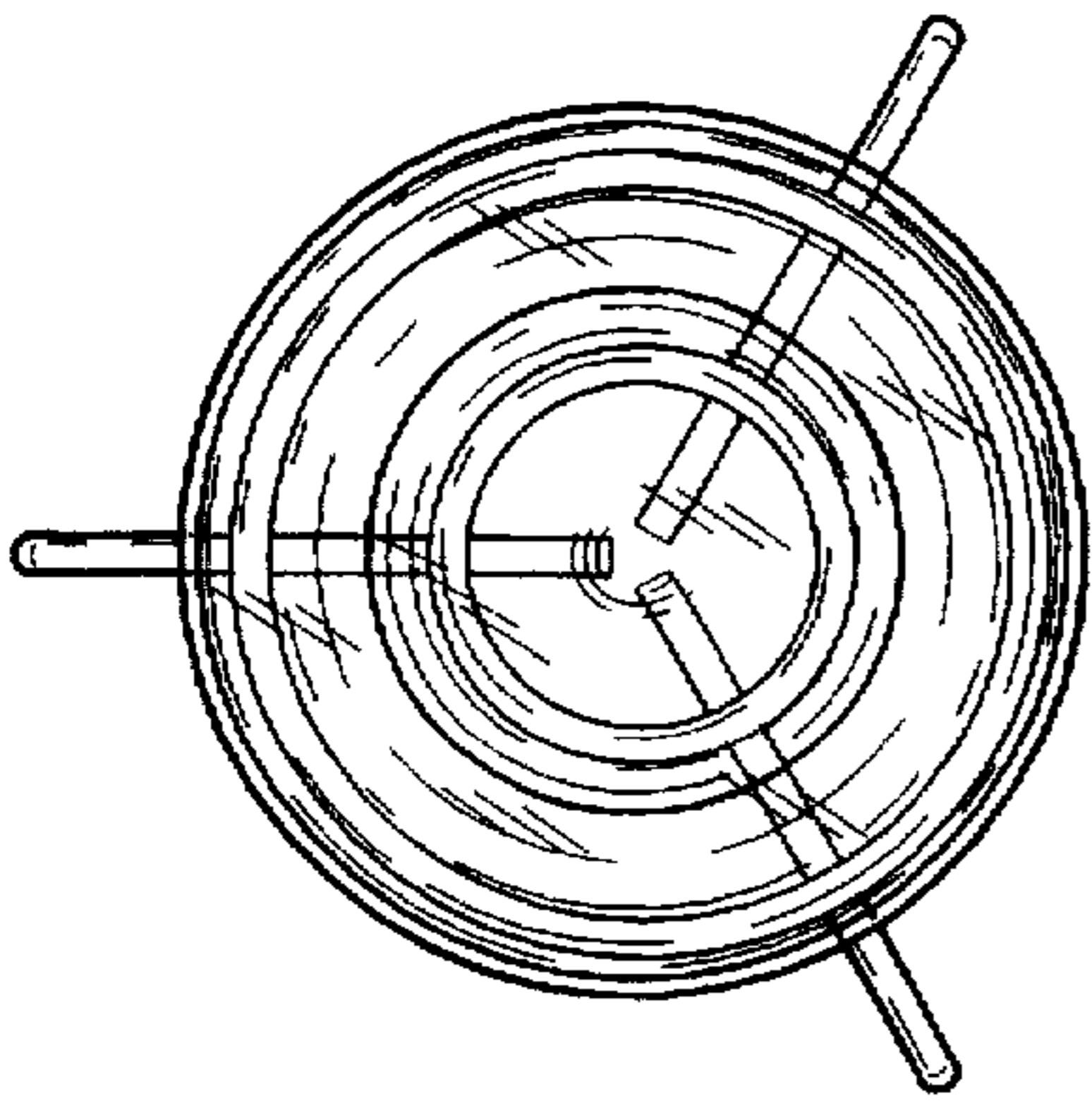


FIG. 2

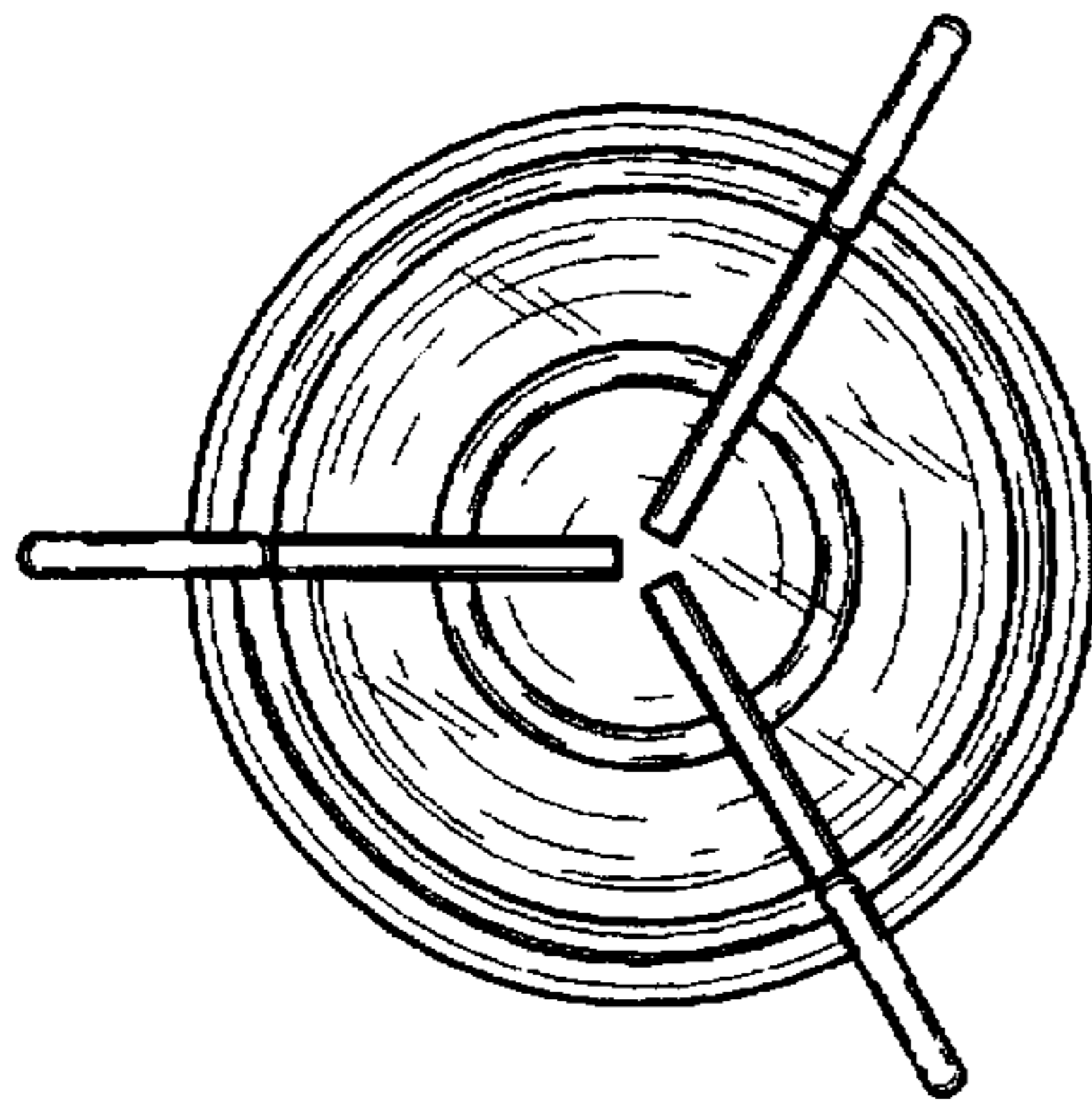


FIG. 3

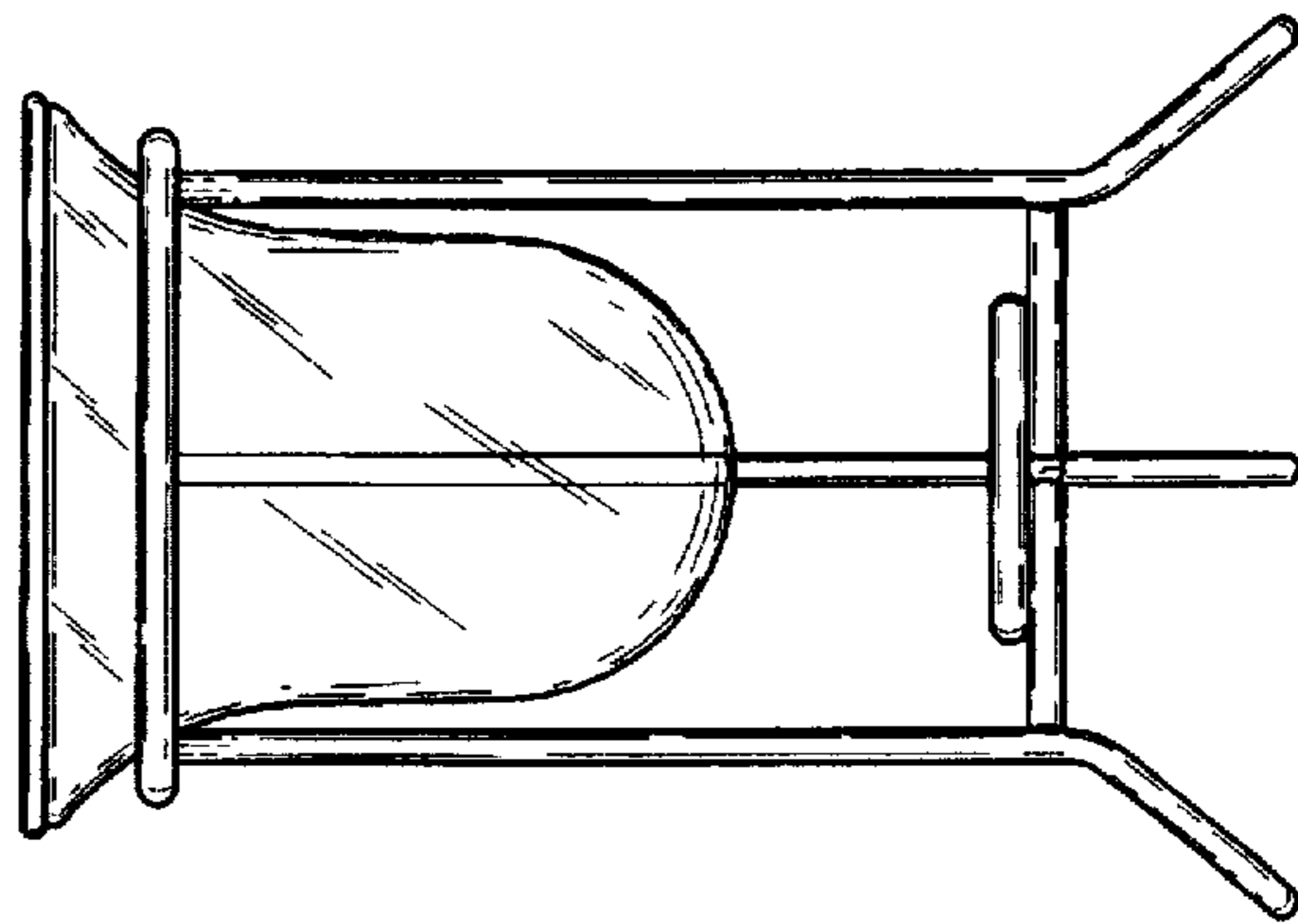


FIG. 4

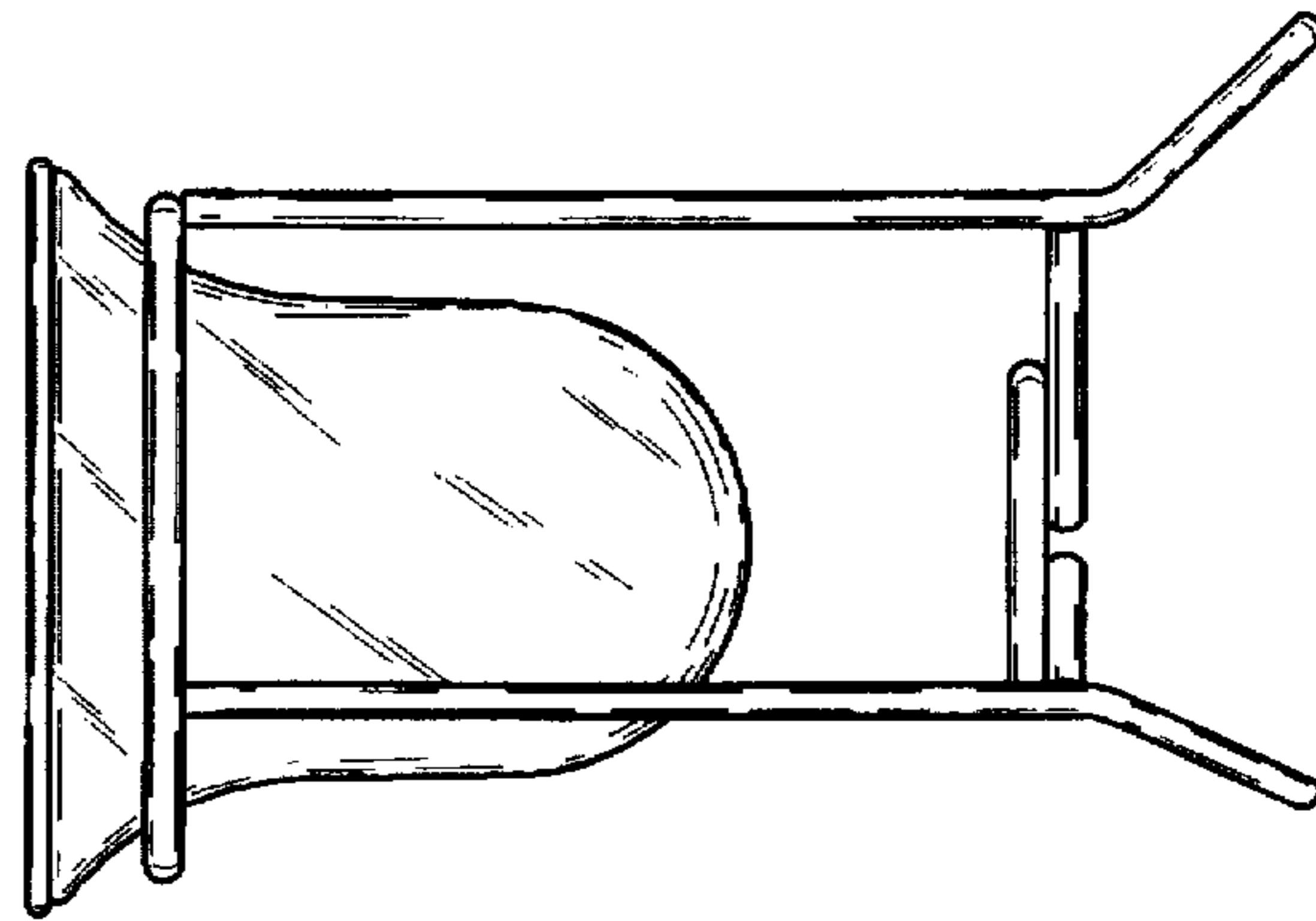


FIG. 5

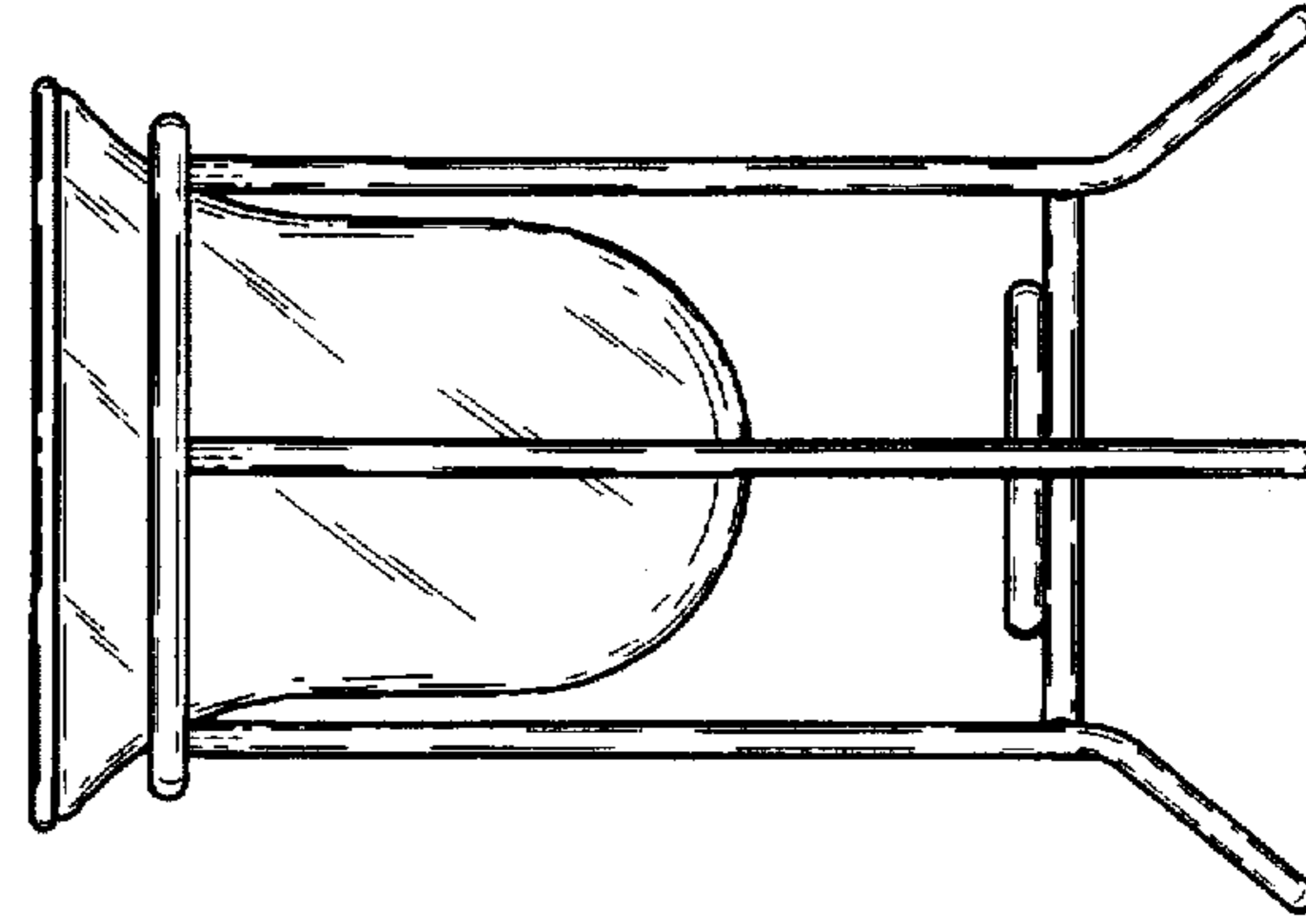


FIG. 6

UNITED STATES PATENT AND TRADEMARK OFFICE
CERTIFICATE OF CORRECTION

PATENT NO. : DES. 384143

Page 1 of 2

DATED : September 23, 1997

INVENTOR(S) : Ennio V. Racinelli

It is certified that error appears in the above-identified patent and that said Letters Patent is hereby corrected as shown below:

Drawing Sheet 2 should be replaced by the attached sheet.

Signed and Sealed this
Tenth Day of March, 1998

Attest:



BRUCE LEHMAN

Attesting Officer

Commissioner of Patents and Trademarks

