

US00D384140S

# United States Patent [19]

Jane'et al.

[11] Patent Number: Des. 384,140

[45] Date of Patent: \*\*Sep. 23, 1997

[54] HUMIDIFIER

[75] Inventors: Rodney Jane', Westboro, Mass.; Jui-Shang Wang, Taipei, Taiwan; Stanley Gresens, Homewood; Gregory Holderfield, Palatine, both of Ill.; John Longan, Shrewsbury, Mass.

[73] Assignee: Duracraft Corp., Southborough, Mass.

[\*\*] Term: 14 Years

[21] Appl. No.: 45,808

[22] Filed: Oct. 30, 1995

[51] LOC (6) Cl. .... 23-04

[52] U.S. Cl. .... D23/356; D23/358

[58] Field of Search ..... D23/356-363; 392/403-406, 394; 261/72, 107, 120, 104; 422/120, 123

D. 320,071	9/1991	Cook	.....	D23/356
D. 320,440	10/1991	Chiu	.....	D23/356
D. 321,048	10/1991	Chiu	.....	D23/356
D. 322,121	12/1991	Chiu	.....	D23/356
D. 328,342	7/1992	Pasch et al.	.....	D23/356
D. 330,074	10/1992	Wang et al.	.....	D23/356
D. 335,339	5/1993	Glucksman et al.	.....	D23/356
D. 335,340	5/1993	Marvin, Jr.	.....	D23/356
D. 335,341	5/1993	O'Grady	.....	D23/360
D. 336,511	6/1993	Chiu et al.	.....	D23/356
D. 336,761	6/1993	Chan	.....	D23/356
D. 337,634	7/1993	Copland et al.	.....	D23/356
D. 342,989	1/1994	Wallen	.....	D23/357
D. 344,790	3/1994	Glucksman et al.	.....	D23/356
D. 349,334	8/1994	O'Grady et al.	.....	D23/360
D. 357,310	4/1995	Chiu et al.	.....	D23/356
D. 358,461	5/1995	Barker et al.	.....	D23/356
D. 358,874	5/1995	Cunning	.....	D23/356
D. 359,552	6/1995	Chiu et al.	.....	D23/356

### OTHER PUBLICATIONS

1994-95 Owner's Guide for Holmes Products Corp.'s HM-2060 FP Cool Mist Humidifier.  
1994 Promotional Literature For Duracraft Corporation's Natural Cool Moisture™ Humidifier Model No. DH-836.

Primary Examiner—Lisa Lichtenstein  
Attorney, Agent, or Firm—Morgan & Finnegan

[56] References Cited

#### U.S. PATENT DOCUMENTS

D. 255,712	7/1980	Chihara	.....	D23/146
D. 279,215	6/1985	Mango et al.	.....	D23/146
D. 287,274	12/1986	Crowley et al.	.....	D23/146
D. 287,275	12/1986	Uchida	.....	D23/146
D. 287,755	1/1987	Imai et al.	.....	D23/146
D. 288,596	3/1987	Young Se	.....	D23/146
D. 288,597	3/1987	Young Se	.....	D23/146
D. 289,325	4/1987	Nishikawa	.....	D23/146
D. 290,168	6/1987	Watanabe et al.	.....	D23/146
D. 294,292	2/1988	Suzuki	.....	D23/356
D. 298,351	11/1988	Ihlenfeld et al.	.....	D23/356
D. 304,366	10/1989	Meyers	.....	D23/356
D. 305,358	1/1990	Martinez	.....	D23/356
D. 305,562	1/1990	Martinez	.....	D23/356
D. 306,063	2/1990	Chiu et al.	.....	D23/356
D. 307,653	5/1990	Weirsman et al.	.....	D32/1
D. 308,413	6/1990	Wong	.....	D23/356
D. 309,009	7/1990	Herritz	.....	D23/362
D. 309,656	7/1990	Lee	.....	D23/356
D. 316,598	4/1991	Morooka	.....	D23/356

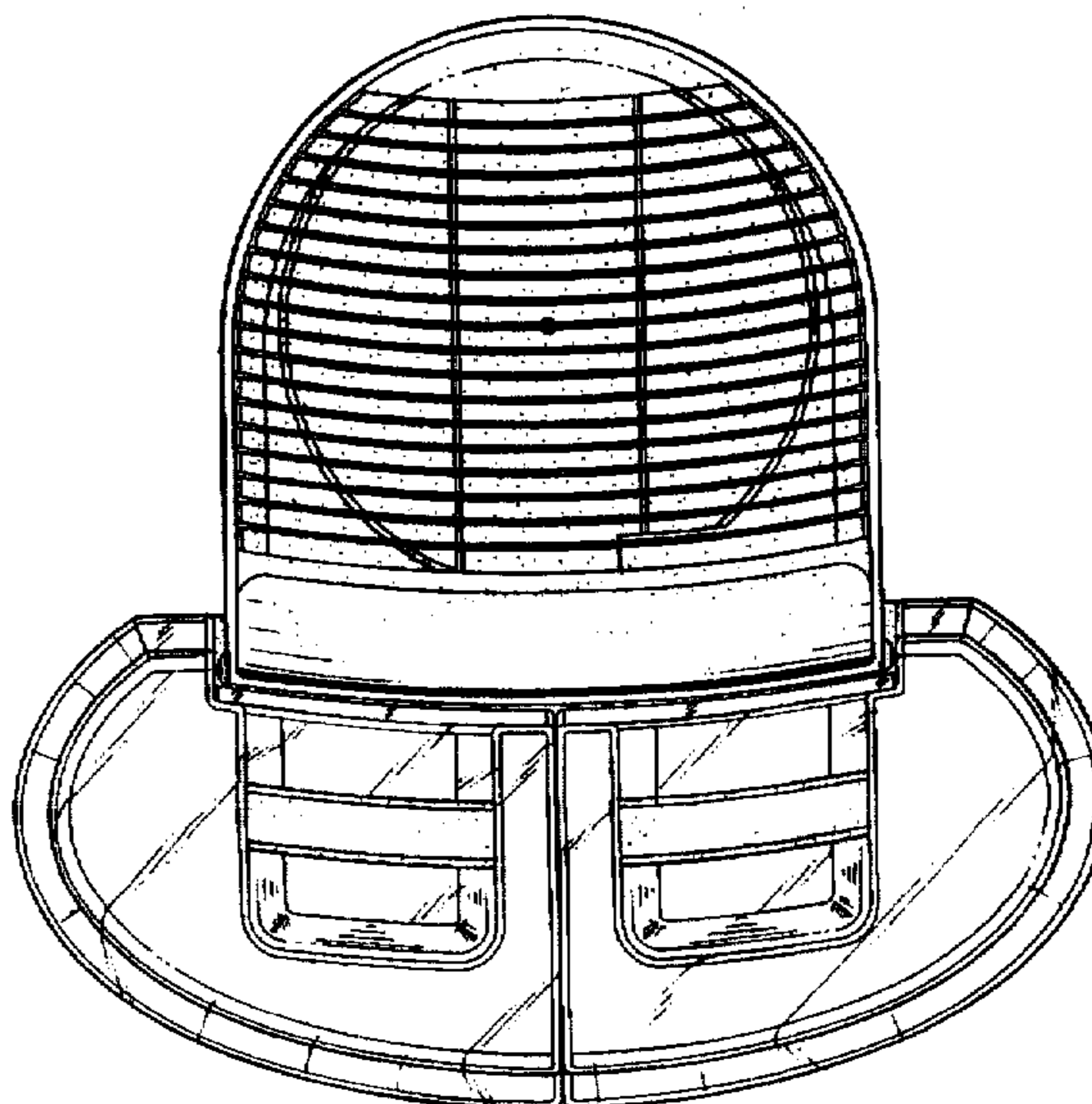
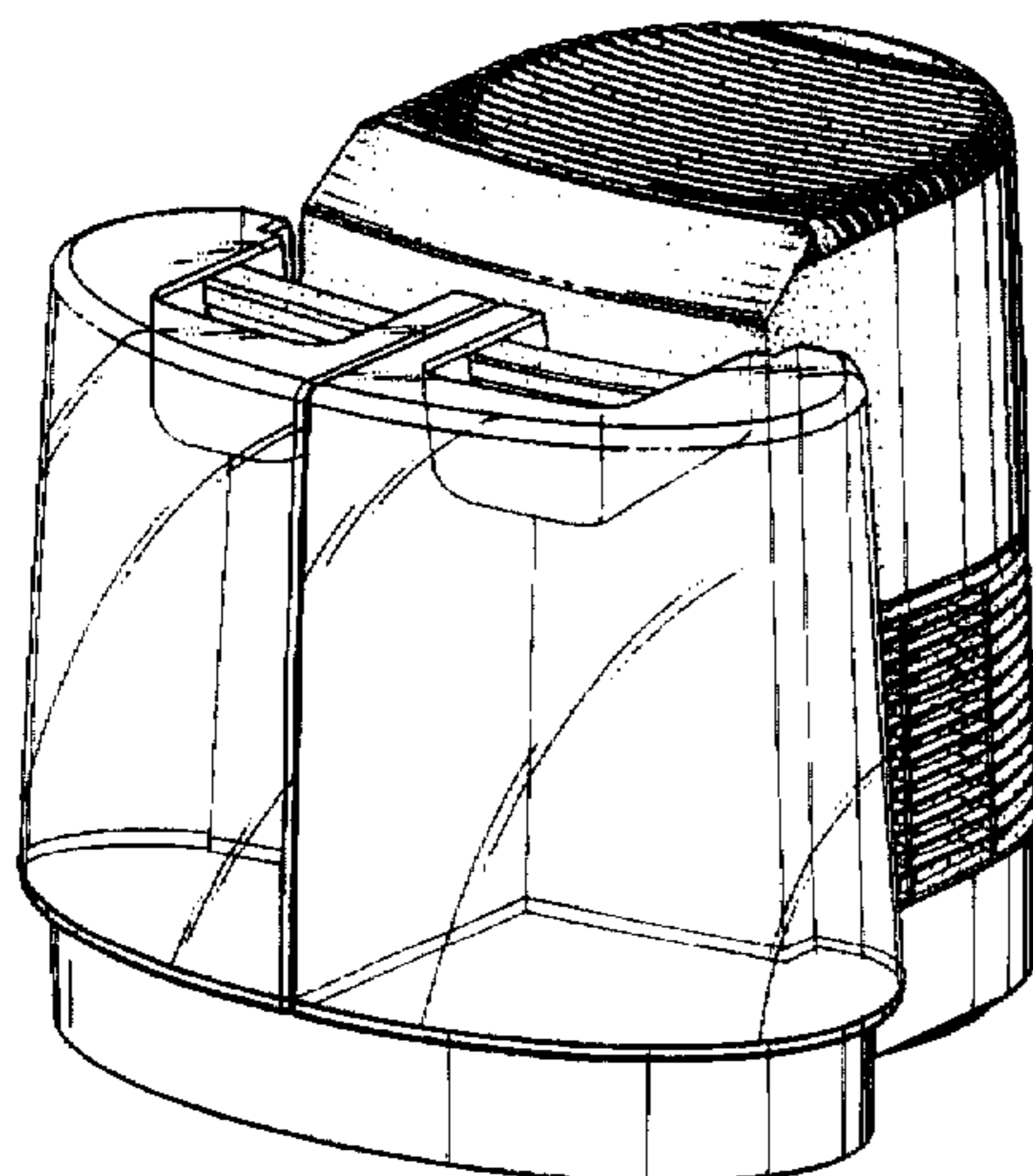
[57] CLAIM

The ornamental design for a humidifier, as shown and described.

### DESCRIPTION

FIG. 1 is a perspective view of the design for a humidifier in accordance with the present invention;  
FIG. 2 is a top plan view thereof;  
FIG. 3 is a right side elevational view thereof; the left side being a mirror image of that shown;  
FIG. 4 is a front elevational view thereof;  
FIG. 5 is a rear elevational view thereof; and,  
FIG. 6 is a bottom plan view thereof

1 Claim, 6 Drawing Sheets



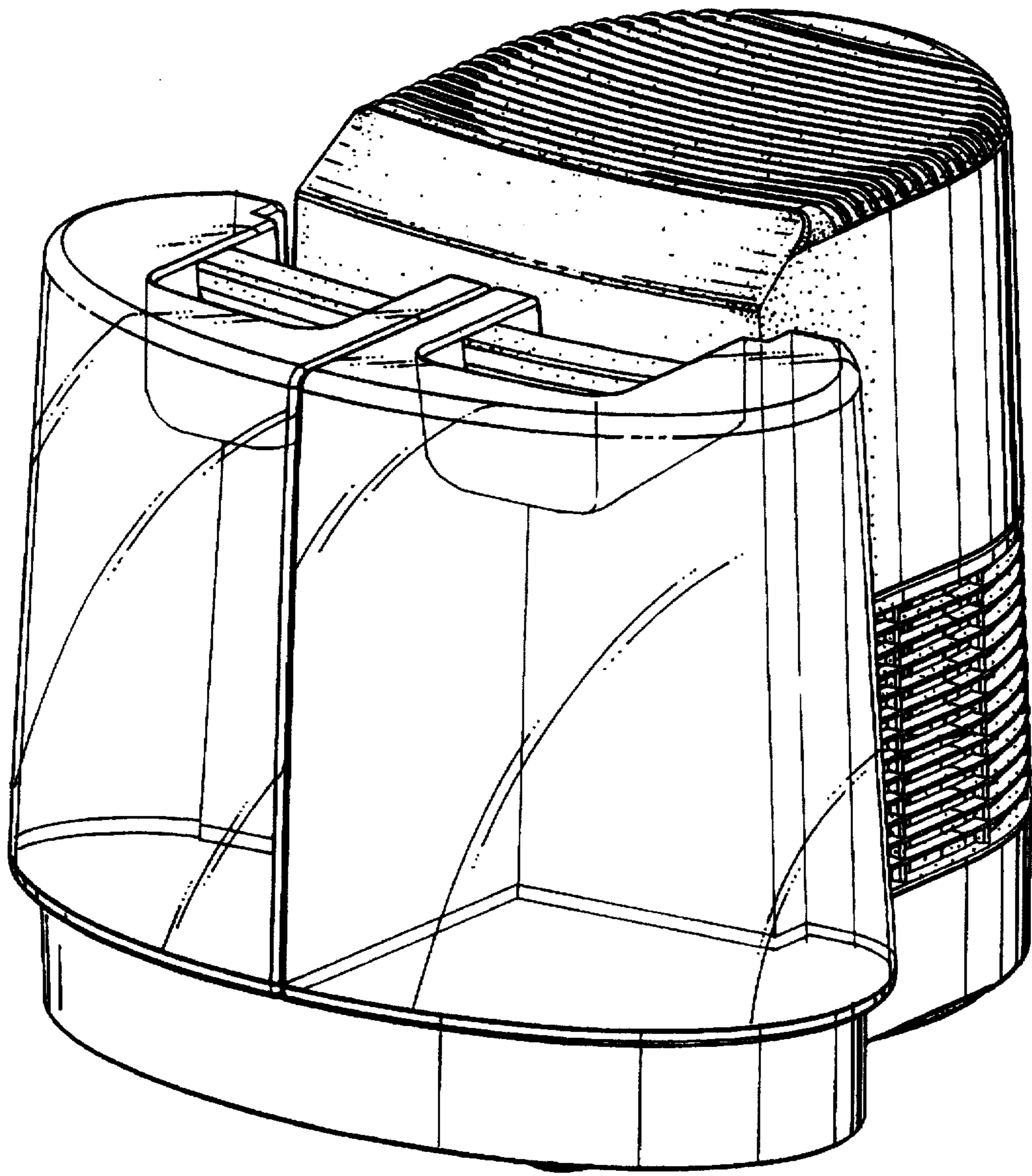


FIG. 1

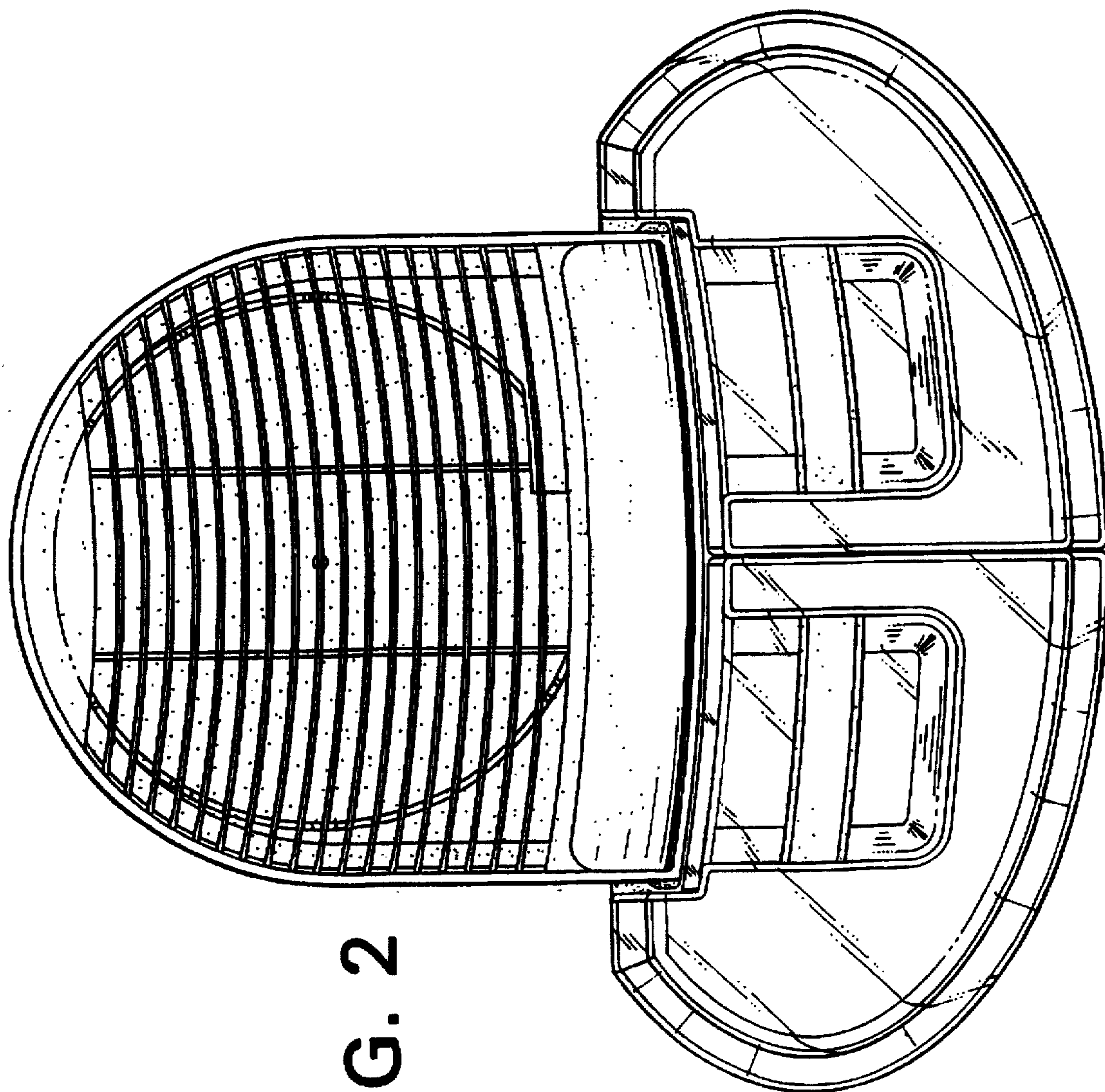


FIG. 2

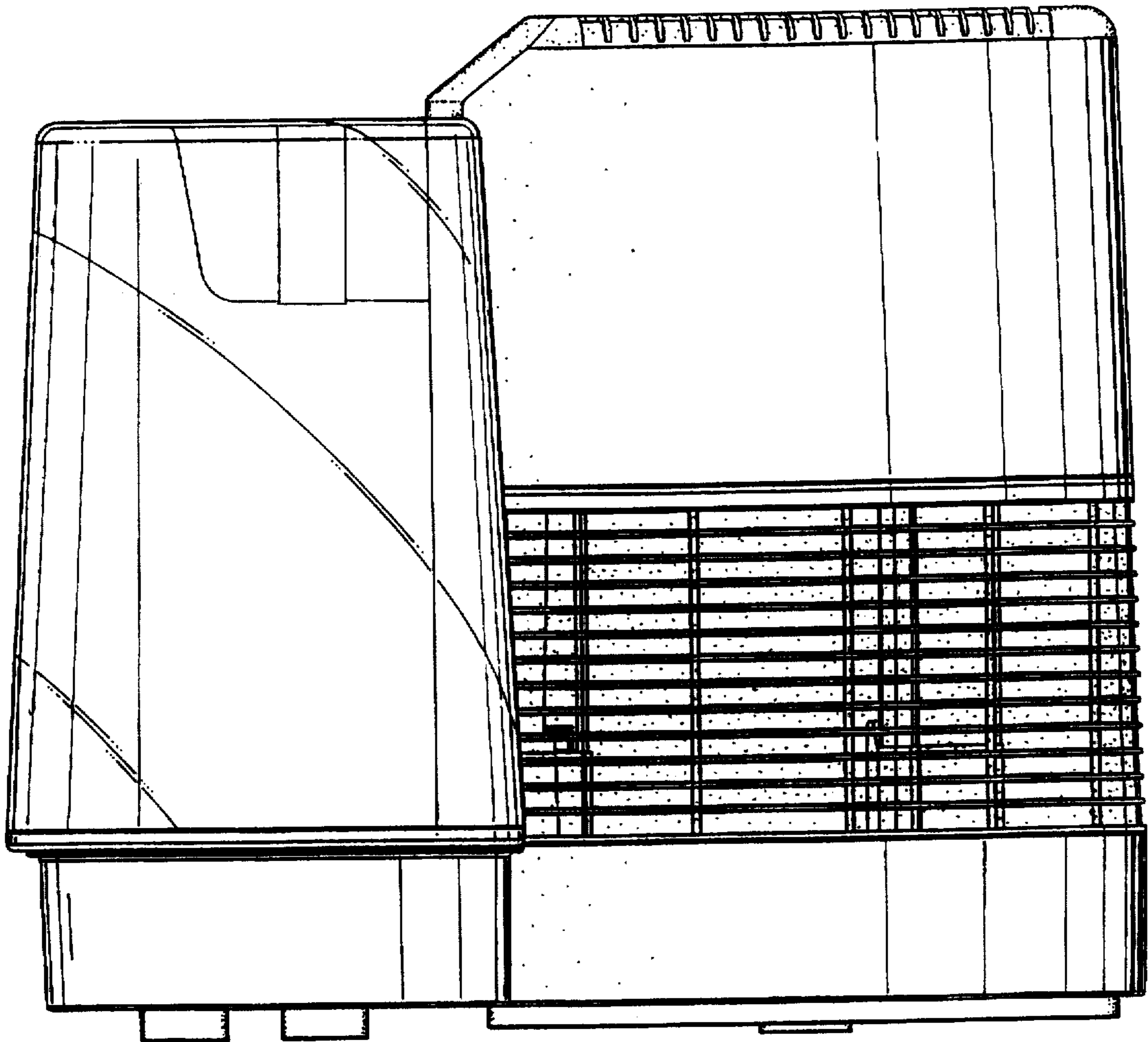


FIG. 3

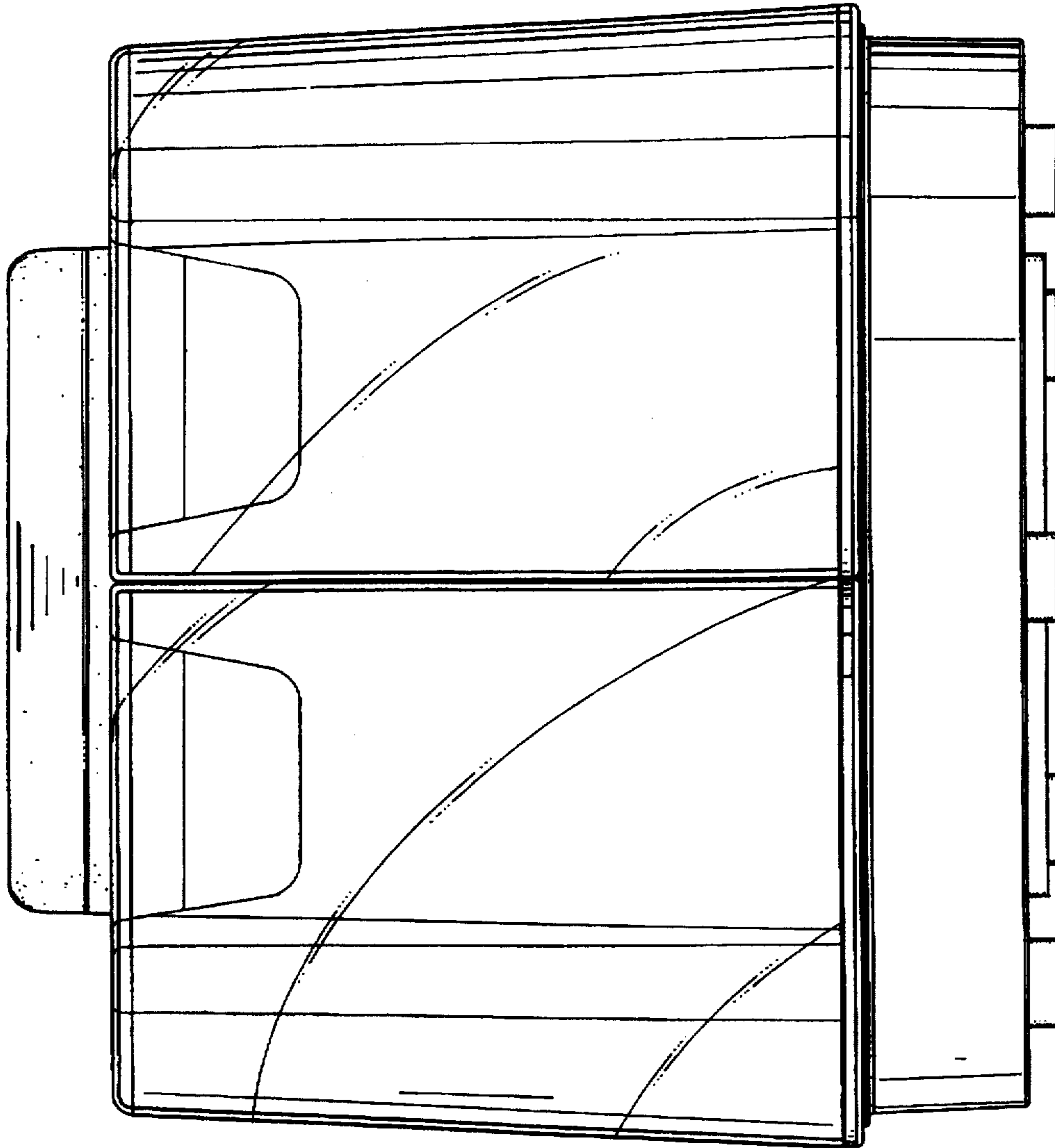


FIG. 4

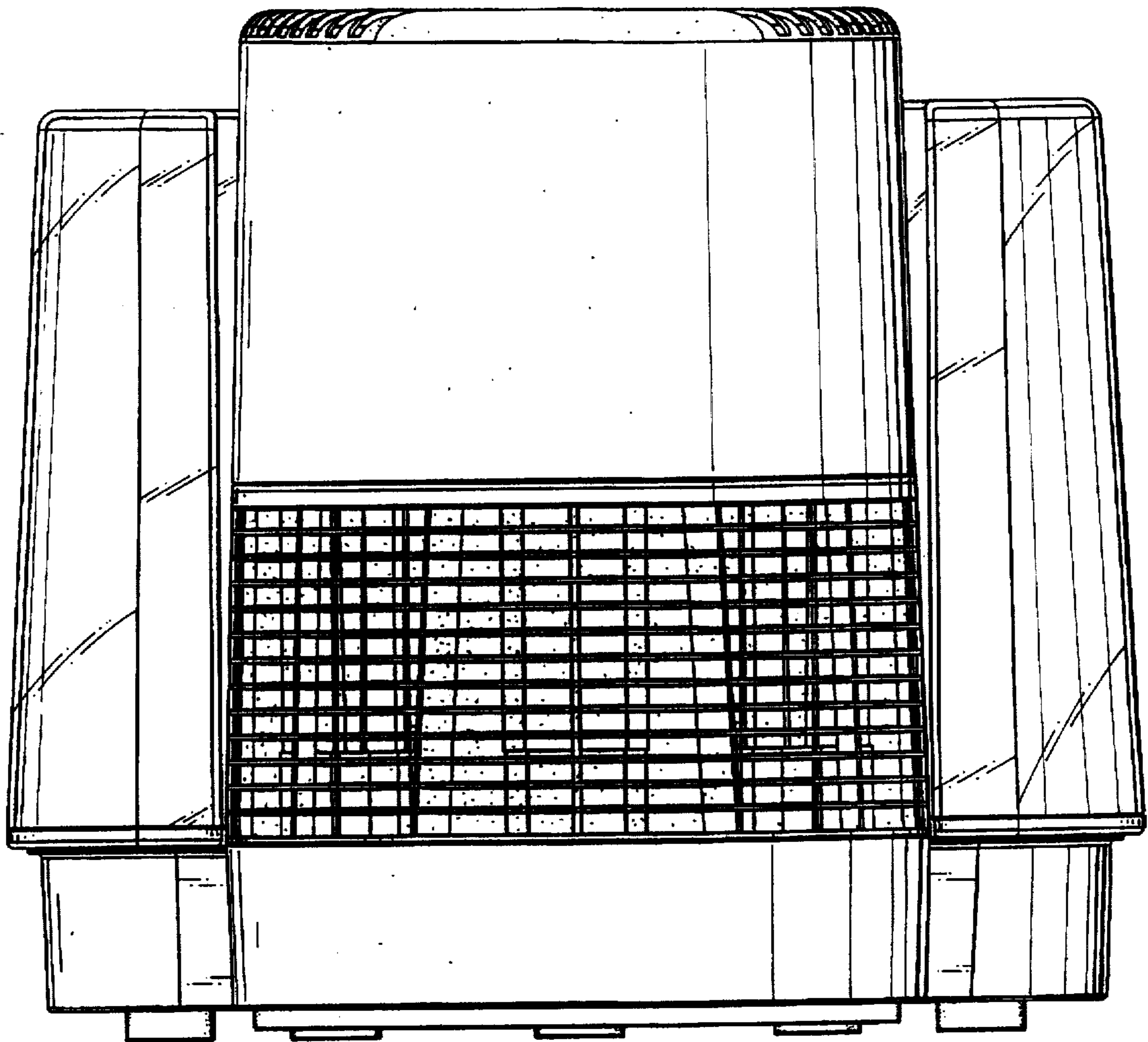


FIG. 5

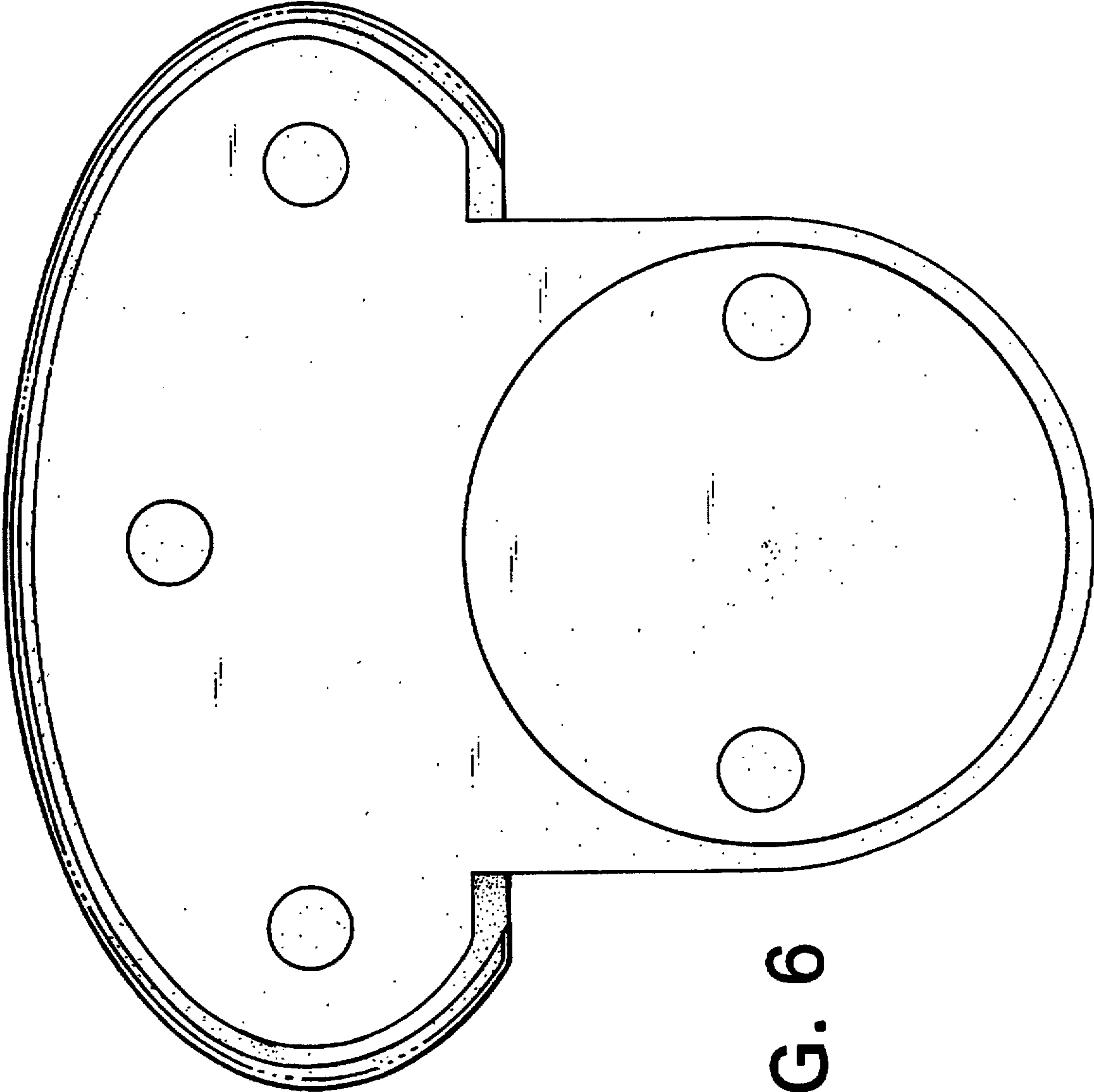


FIG. 6