



US00D384138S

United States Patent [19]

[11] Patent Number: **Des. 384,138**

Jowett

[45] Date of Patent: ****Sep. 23, 1997**

[54] **TOILET SEAT LIFTER**

262335	7/1913	Germany	4/246.4
326246	9/1920	Germany	4/246.3
658023	10/1951	United Kingdom	4/246.1

[76] Inventor: **Rayner A. Jowett**, Box 117, General Delivery, Shilo, MB, Canada, R0A 2A0

[**] Term: **14 Years**

Primary Examiner—Louis S. Zarfes
Assistant Examiner—Eric Watterson
Attorney, Agent, or Firm—Harold H. Dutton, Jr.; Diane F. Liebman

[21] Appl. No.: **48,046**

[22] Filed: **Dec. 19, 1995**

[57] **CLAIM**

[51] LOC (6) Cl. **23-02**

[52] U.S. Cl. **D23/311**

[58] Field of Search D23/309-311,
D23/295-303; 4/233-239, 246.1-246.5,
253

The ornamental design for a toilet seat lifter, as shown and described.

DESCRIPTION

[56] **References Cited**

U.S. PATENT DOCUMENTS

D. 338,711	8/1993	Bishop	D23/311
D. 341,415	11/1993	Miller	D23/311
D. 341,416	11/1993	Blair	D23/311
1,863,682	6/1932	Alberts	4/246.3
2,155,548	4/1939	Hompesch	4/246.3
2,705,330	4/1955	Kundsen	4/246.1
2,776,440	1/1957	Miller	4/246.3
2,849,728	9/1958	Gyllenberg	4/246.2
5,014,367	5/1991	Gamblin	4/246.2
5,029,347	7/1991	Lin	4/246.2
5,323,496	6/1994	Blair	4/246.3
5,404,595	4/1995	Carmel	4/246.1

FIG. 1 is perspective view of a toilet seat lifter showing my new design with the foot lever of the petal portion in the up position;
 FIG. 2 is a top view of the seat-engaging portion thereof;
 FIG. 3 is a bottom view thereof;
 FIG. 4 is a front view thereof;
 FIG. 5 is a rear view thereof;
 FIG. 6 is a right side view thereof;
 FIG. 7 is a left side view thereof;
 FIG. 8 is a top view of the pedal portion thereof, with the foot lever shown in the down position;
 FIG. 9 is a bottom view thereof;
 FIG. 10 is a left side view thereof; The right side is a mirror image of the left side;
 FIG. 11 is a front view thereof; and,
 FIG. 12 is a rear view thereof.

FOREIGN PATENT DOCUMENTS

1377147	9/1964	France	4/246.4
---------	--------	--------	---------

The broken lines showing the toilet seat are for illustrative purposes only and form no part of the claimed design.

1 Claim, 6 Drawing Sheets

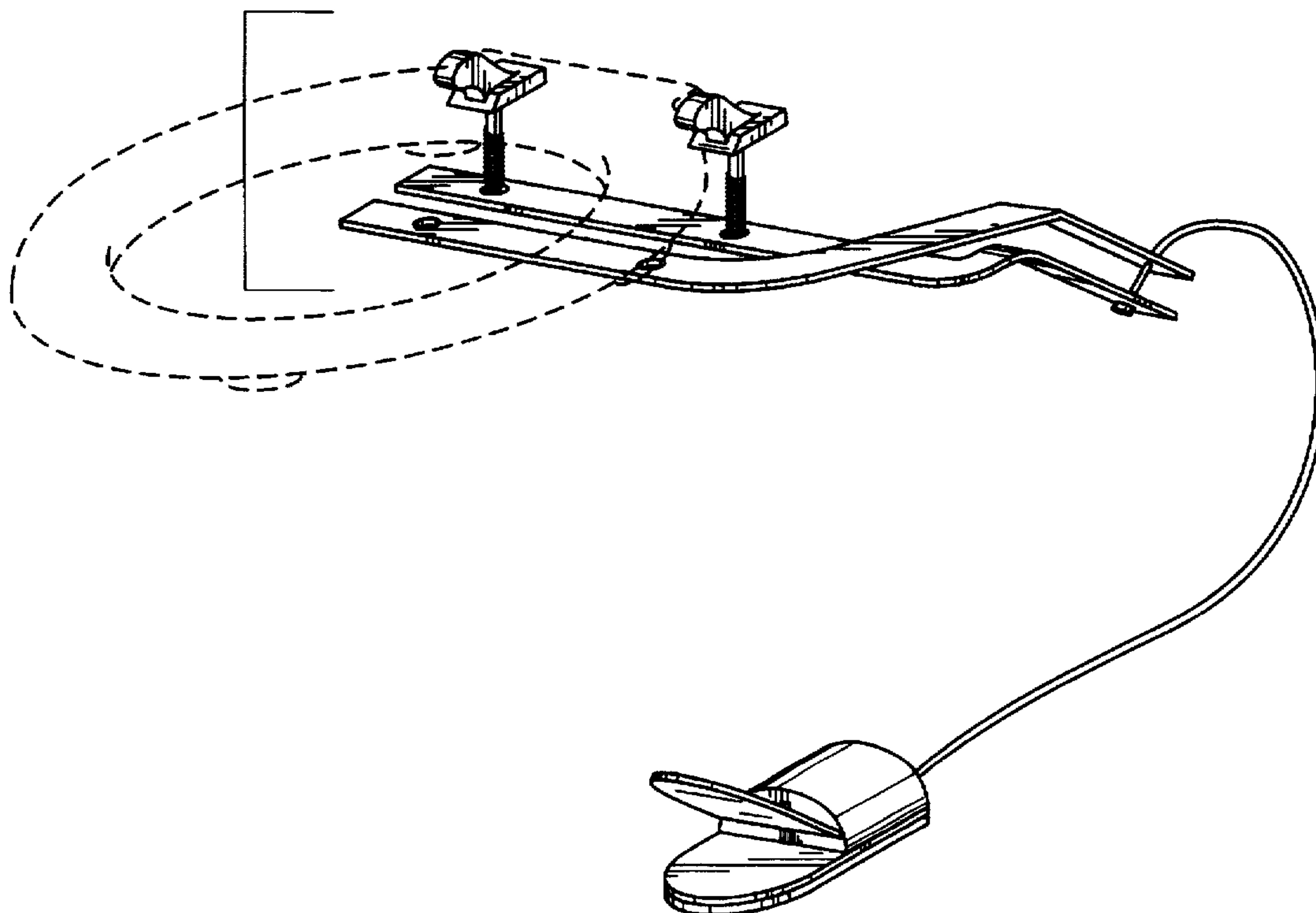


FIG. 1

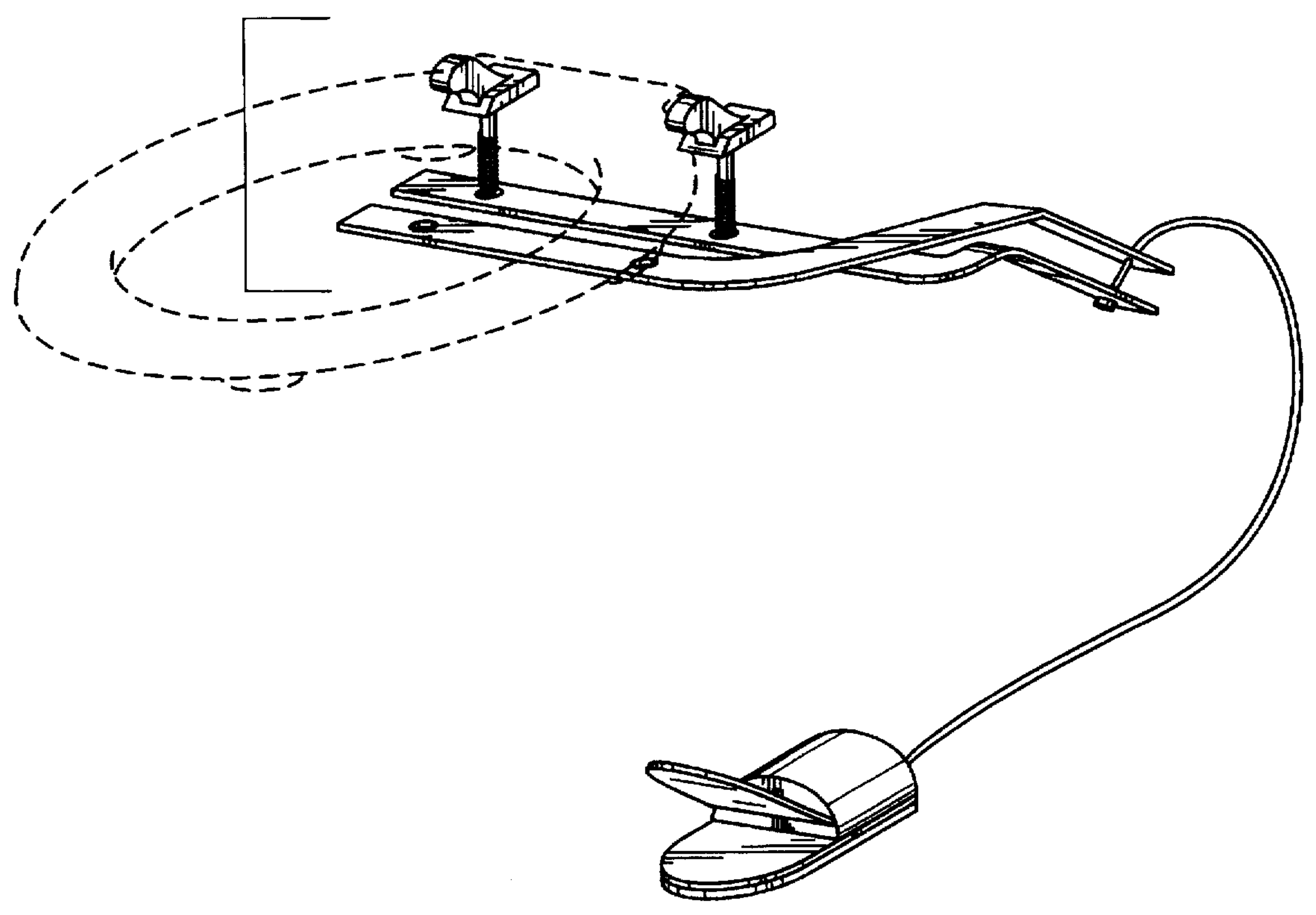


FIG. 2

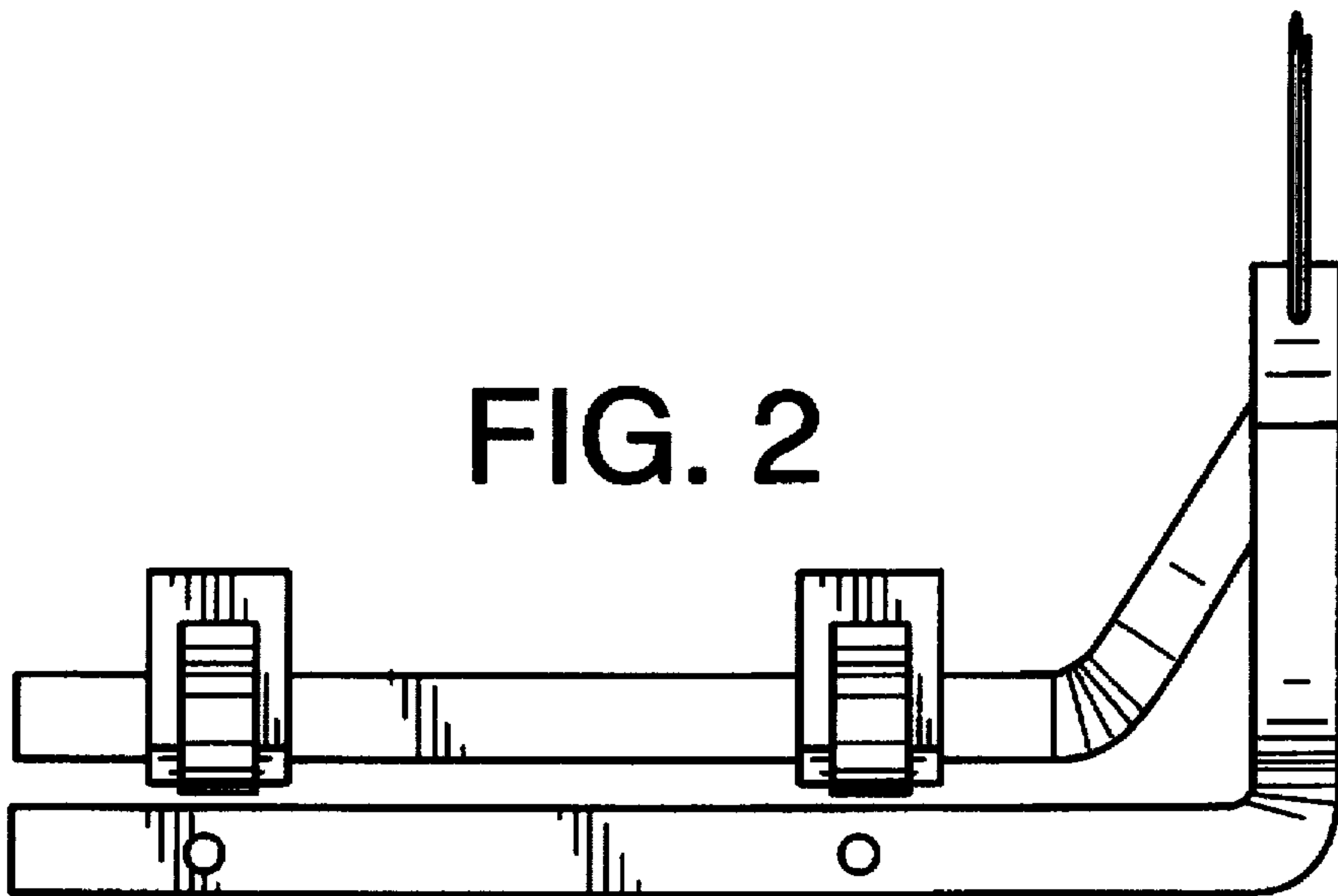
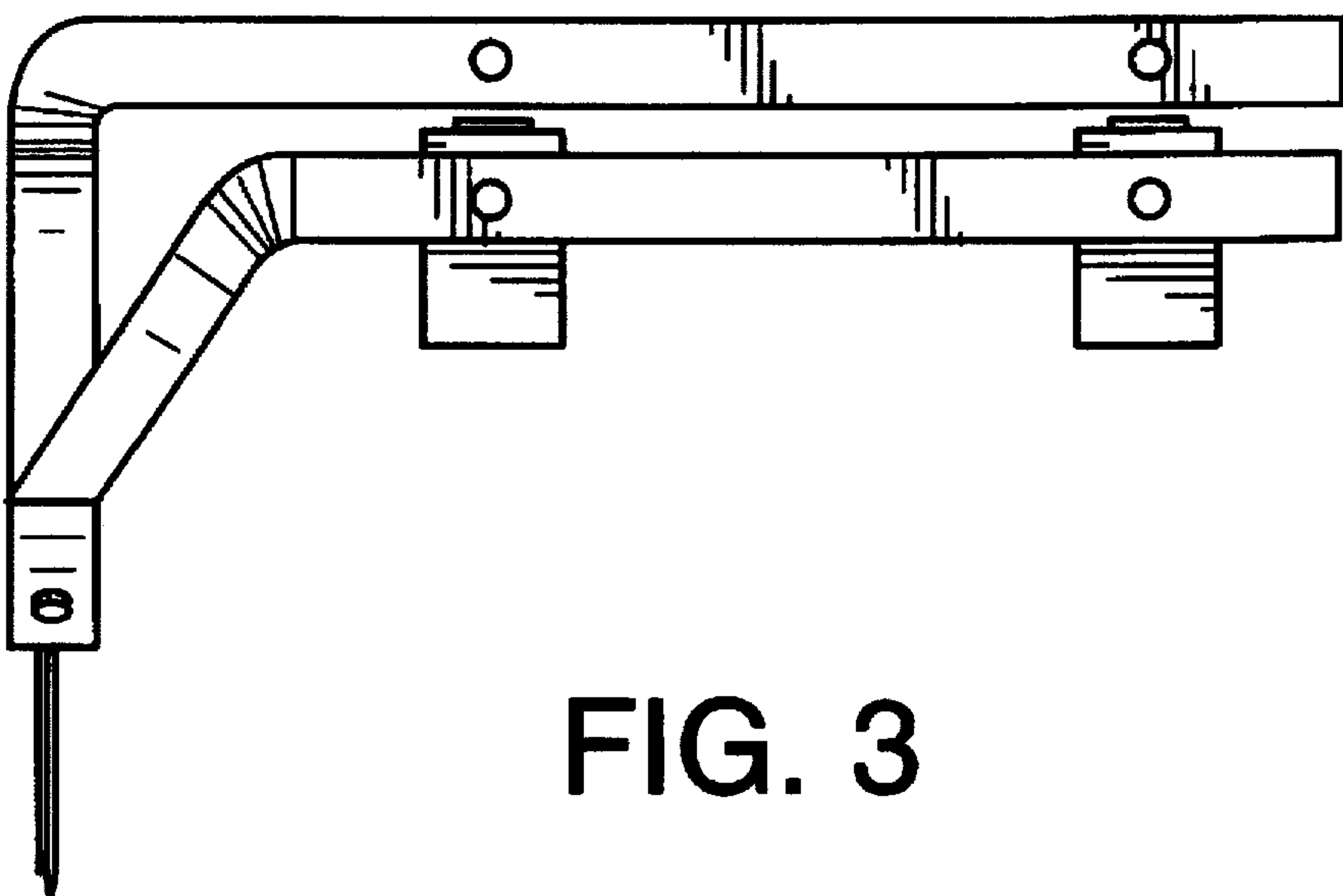


FIG. 3



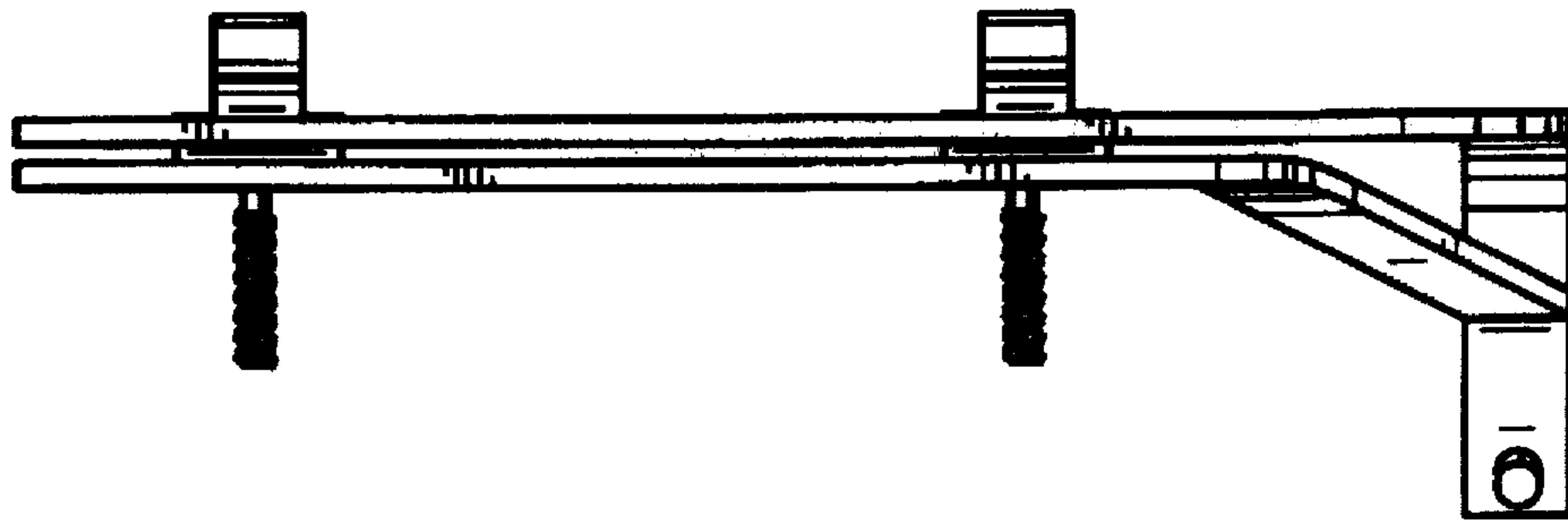


FIG. 4

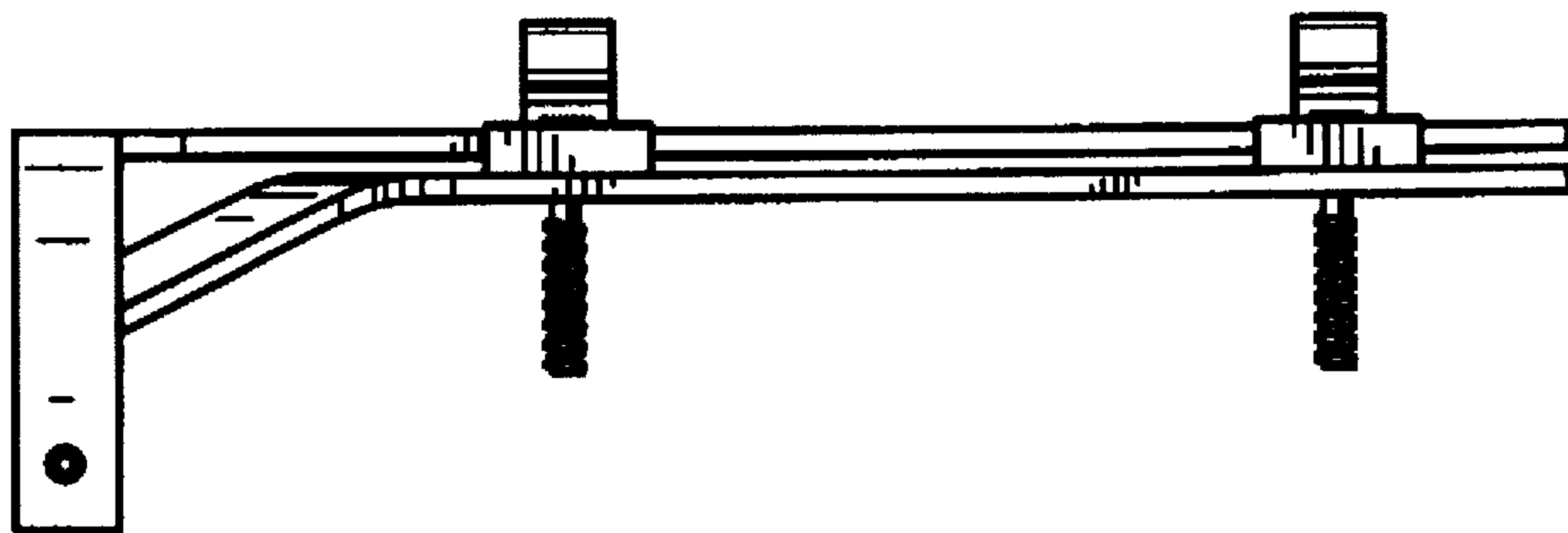


FIG. 5

FIG. 6

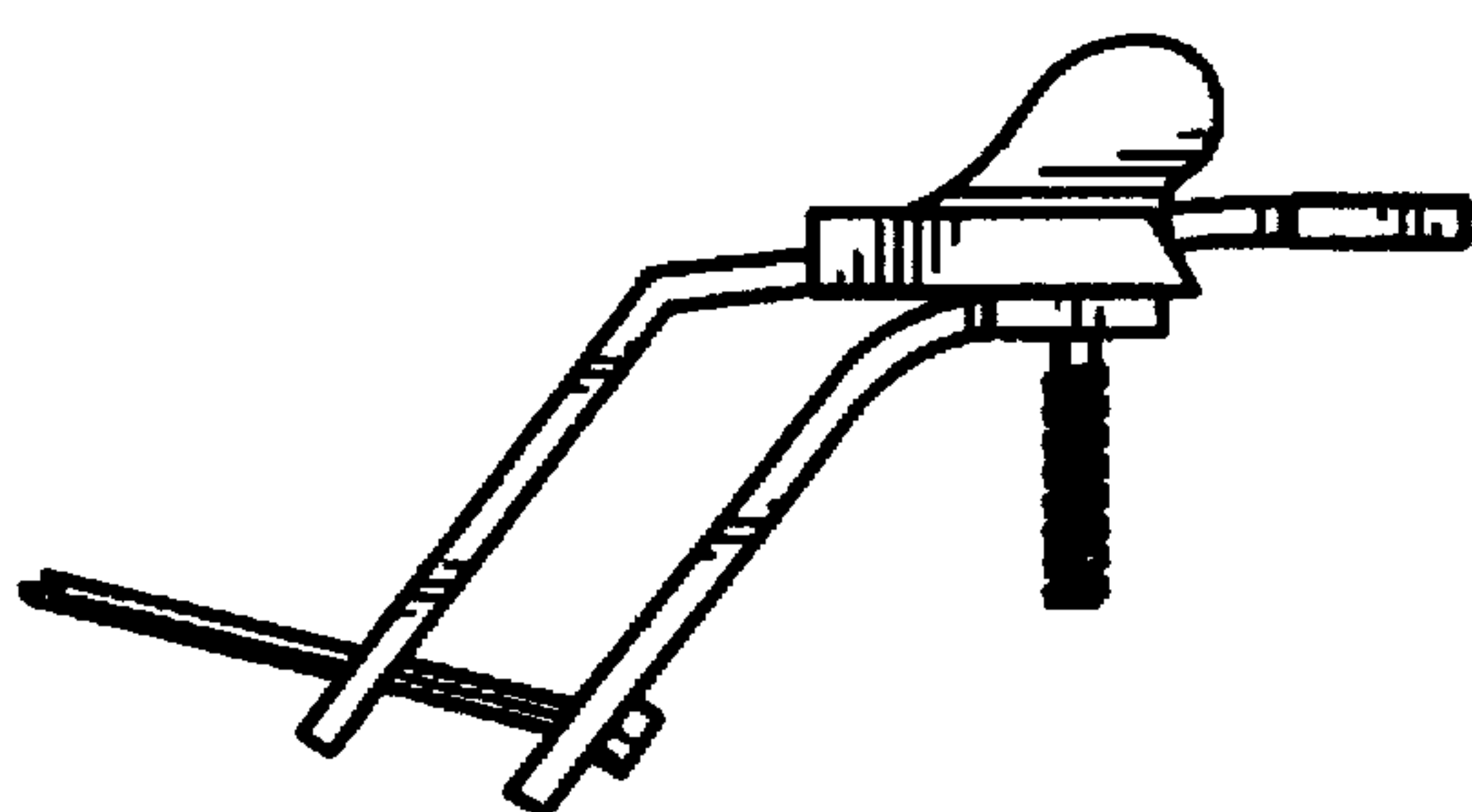
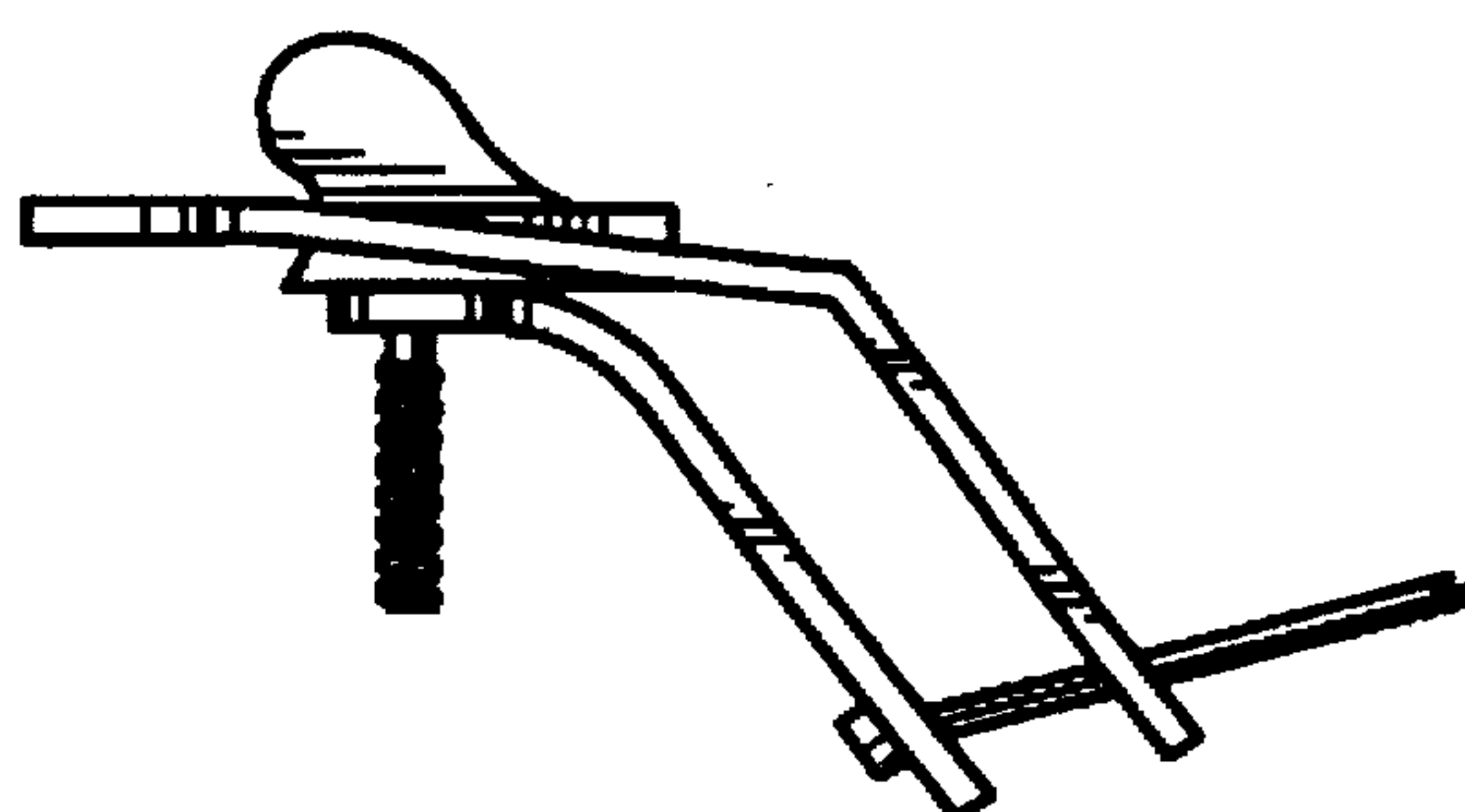


FIG. 7

FIG. 8

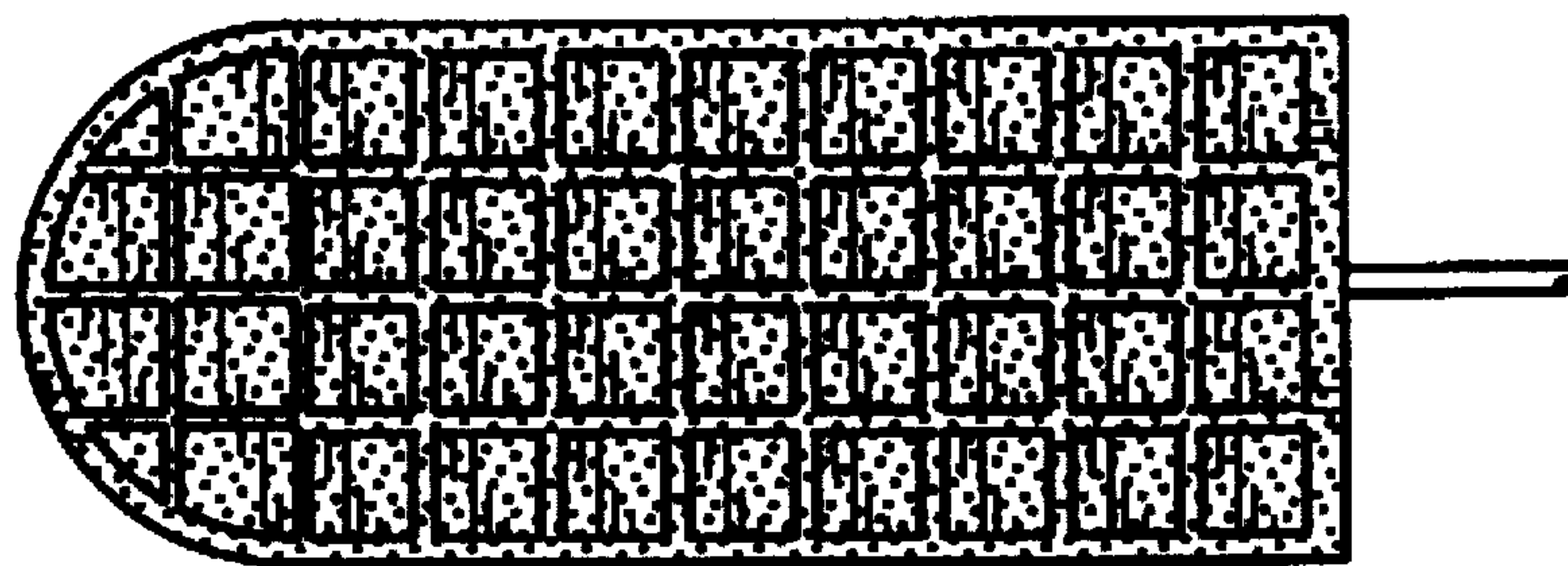
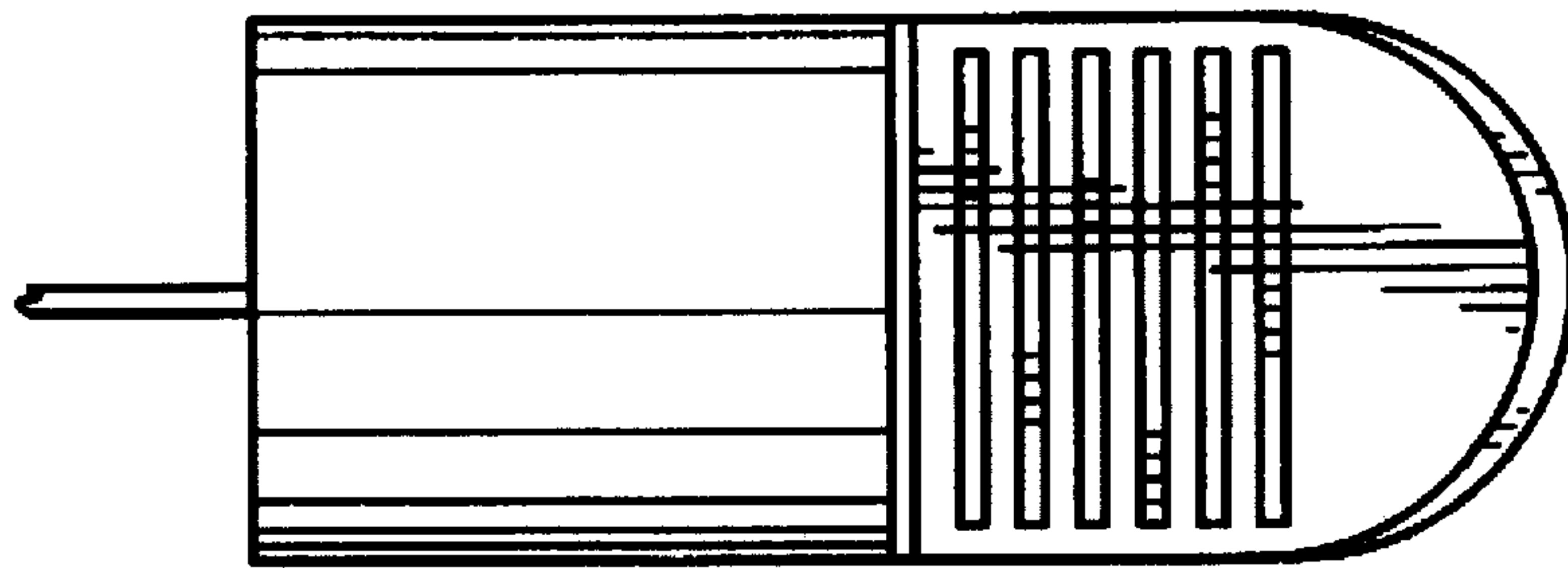


FIG. 9

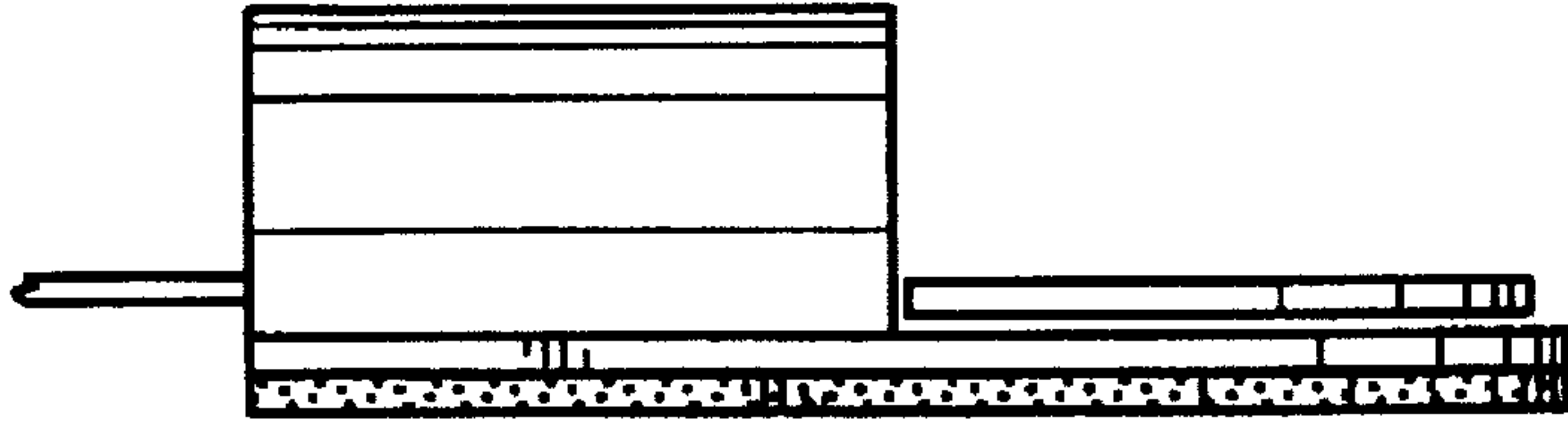


FIG. 10

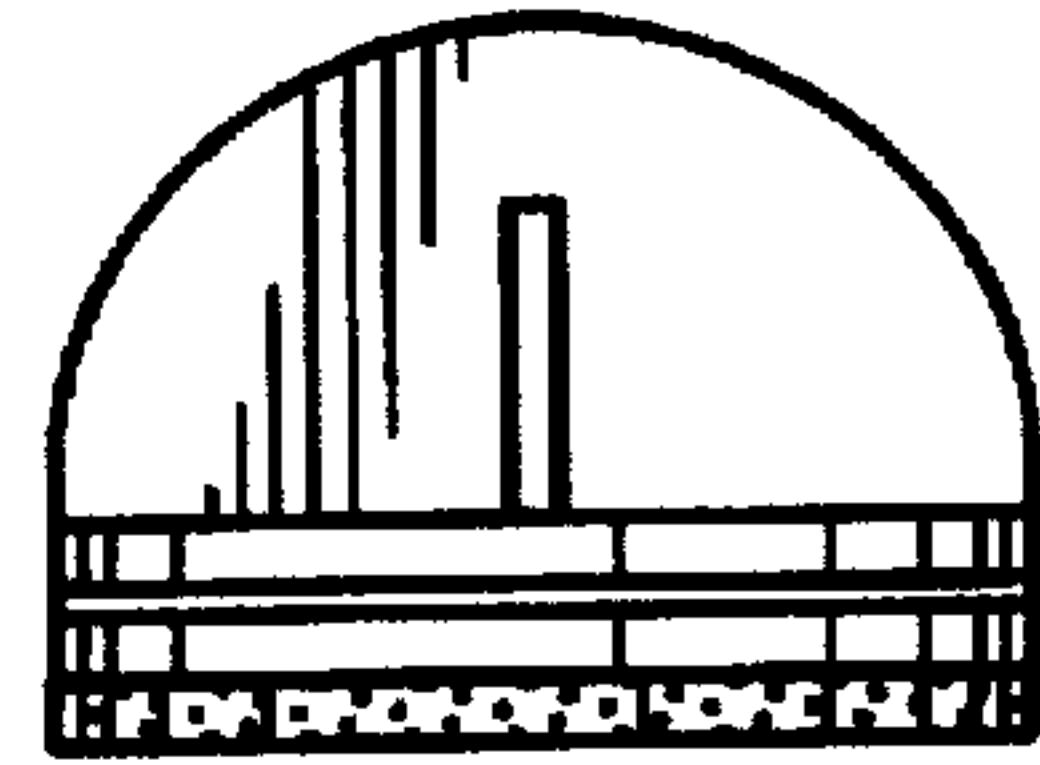


FIG. 11

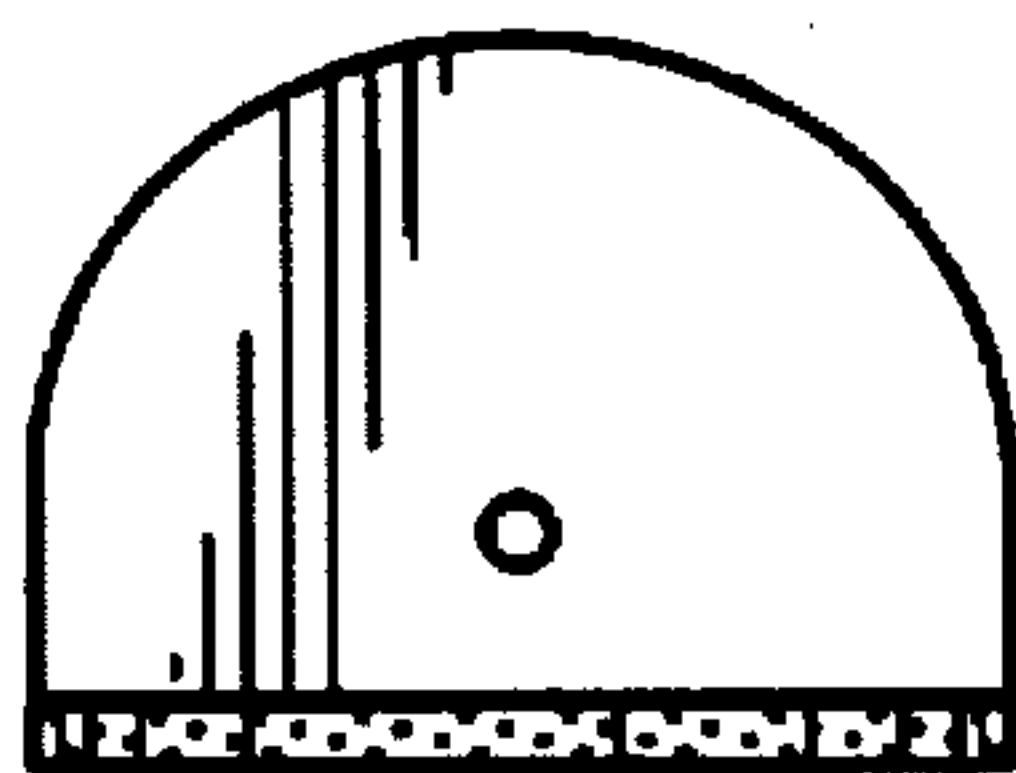


FIG. 12