

US00D384136S

United States Patent [19]

[11] Patent Number: Des. 384,136

Kawamura et al.

[45] Date of Patent: **Sep. 23, 1997

[54] WATER CLOSET

[75] Inventors: **Seijiro Kawamura; Minoru Tani; Hisayasu Sakai**, all of Kitakyushu, Japan

[73] Assignee: **Toto Ltd.**, Fukuoka-ken, Japan

[**] Term: **14 Years**

[21] Appl. No.: **41,752**

[22] Filed: **Jul. 24, 1995**

[51] LOC (6) Cl. **23-02**

[52] U.S. Cl. **D23/301**

[58] Field of Search D23/295, 298, D23/299, 300, 301; 4/353, 421, 424, 428, 430

[56] References Cited

U.S. PATENT DOCUMENTS

D. 275,514	9/1984	Enthoven	D23/301
D. 275,598	9/1984	Stairs, Jr.	D23/301
D. 310,407	9/1990	Stairs, Jr.	D23/301
D. 345,597	3/1994	Kohler, Jr. et al.	D23/301
D. 352,996	11/1994	Sim	D23/301

Primary Examiner—Stella Reid
Assistant Examiner—Eric Watterson
Attorney, Agent, or Firm—Finnegan, Henderson, Farabow, Garrett & Dunner, L.L.P.

[57] CLAIM

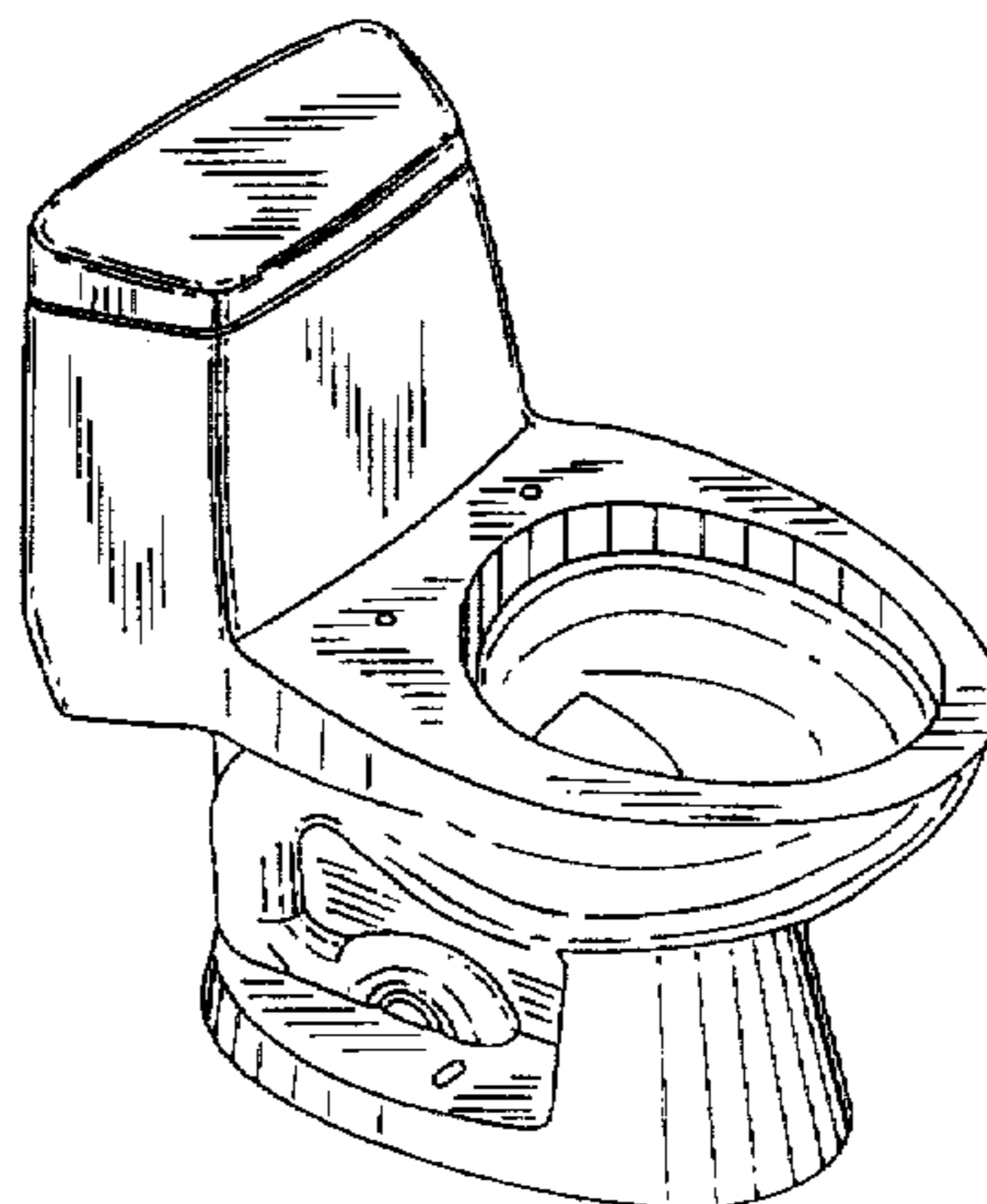
The ornamental design for a water closet, as shown and described.

DESCRIPTION

FIG. 1 is a front elevational view of a water closet embodying our design;
FIG. 2 is a top plan view thereof;
FIG. 3 is a rear elevational view thereof;
FIG. 4 is a bottom plan view thereof;
FIG. 5 is a left elevational view thereof;
FIG. 6 is a right elevational view thereof;
FIG. 7 is a cross-sectional view thereof taken along line 7—7 in FIG. 1;

FIG. 8 is a right front perspective view thereof;
FIG. 9 is a left rear perspective view thereof;
FIG. 10 is a front elevational view of a second embodiment thereof;
FIG. 11 is a top plan view of the second embodiment;
FIG. 12 is a rear elevational view of the second embodiment;
FIG. 13 is a bottom plan view of the second embodiment;
FIG. 14 is a left elevational view of the second embodiment;
FIG. 15 is a right elevational view of the second embodiment;
FIG. 16 is a cross-sectional view of the second embodiment taken long line 16—16 of FIG. 10;
FIG. 17 is a right front perspective view of the second embodiment;
FIG. 18 is a left rear perspective view of the second embodiment;
FIG. 19 is a front elevational view of a third embodiment thereof;
FIG. 20 is a top plan view of the third embodiment;
FIG. 21 is a rear elevational view of the third embodiment;
FIG. 22 is a bottom plan view of the third embodiment;
FIG. 23 is a left elevational view of the third embodiment;
FIG. 24 is a right elevational view of the third embodiment;
FIG. 25 is a cross-sectional view of the third embodiment taken along line 25—25 in FIG. 19;
FIG. 26 is a right front perspective view of the third embodiment;
FIG. 27 is a left rear perspective view of the third embodiment;
FIG. 28 is a front elevation view of a fourth embodiment thereof;
FIG. 29 is a top plan view of the fourth embodiment;
FIG. 30 is a rear elevational view of the fourth embodiment;
FIG. 31 is a bottom plan view of the fourth embodiment;
FIG. 32 is a left elevational view of the fourth embodiment;
FIG. 33 is a right elevational view of the fourth embodiment;
FIG. 34 is a cross-sectional view of the fourth embodiment taken long line 34—34 of FIG. 28;
FIG. 35 is a right front perspective view of the fourth embodiment; and,
FIG. 36 is a left rear perspective view of the fourth embodiment.

1 Claim, 20 Drawing Sheets



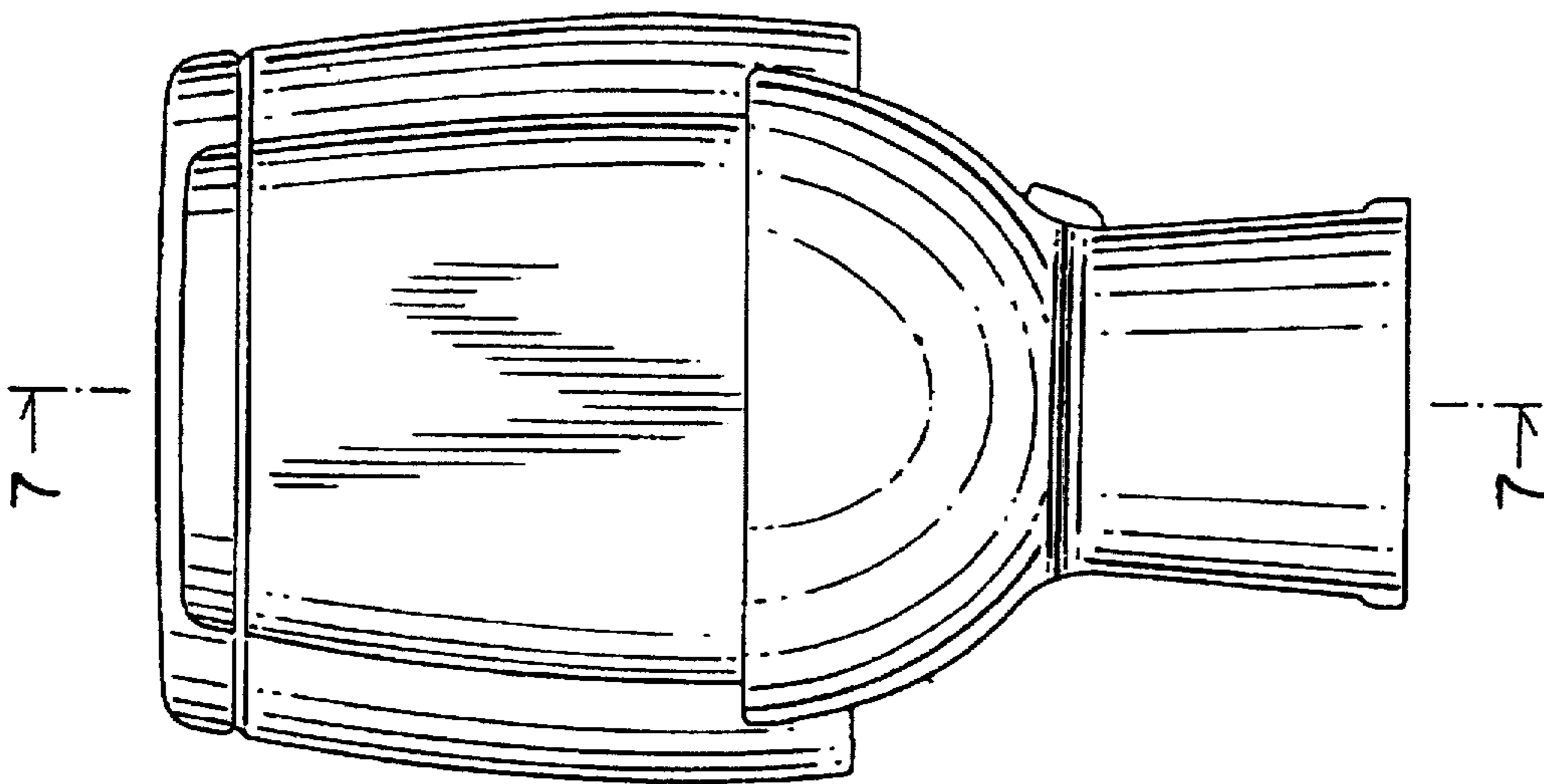


Figure 1

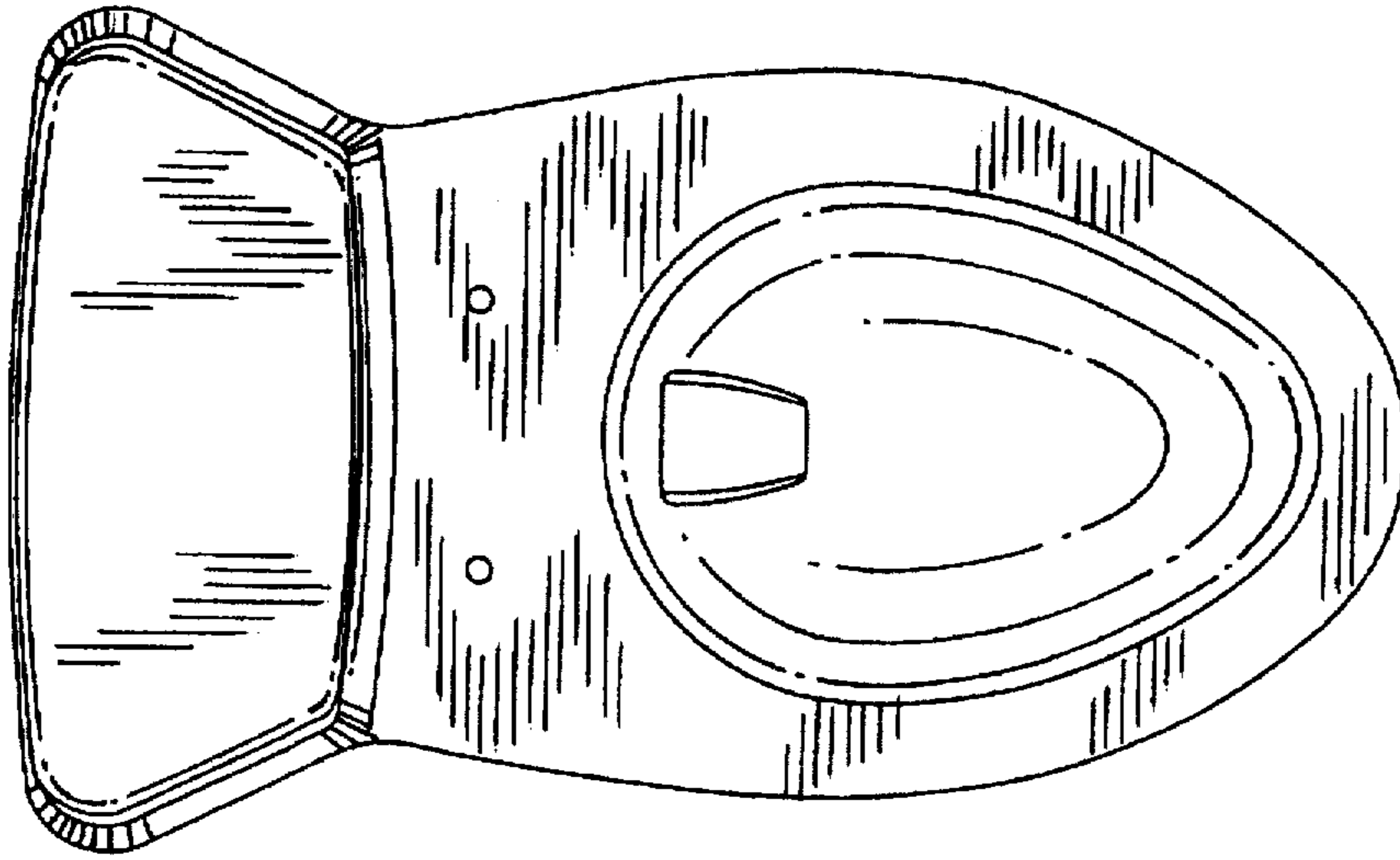


Figure 2

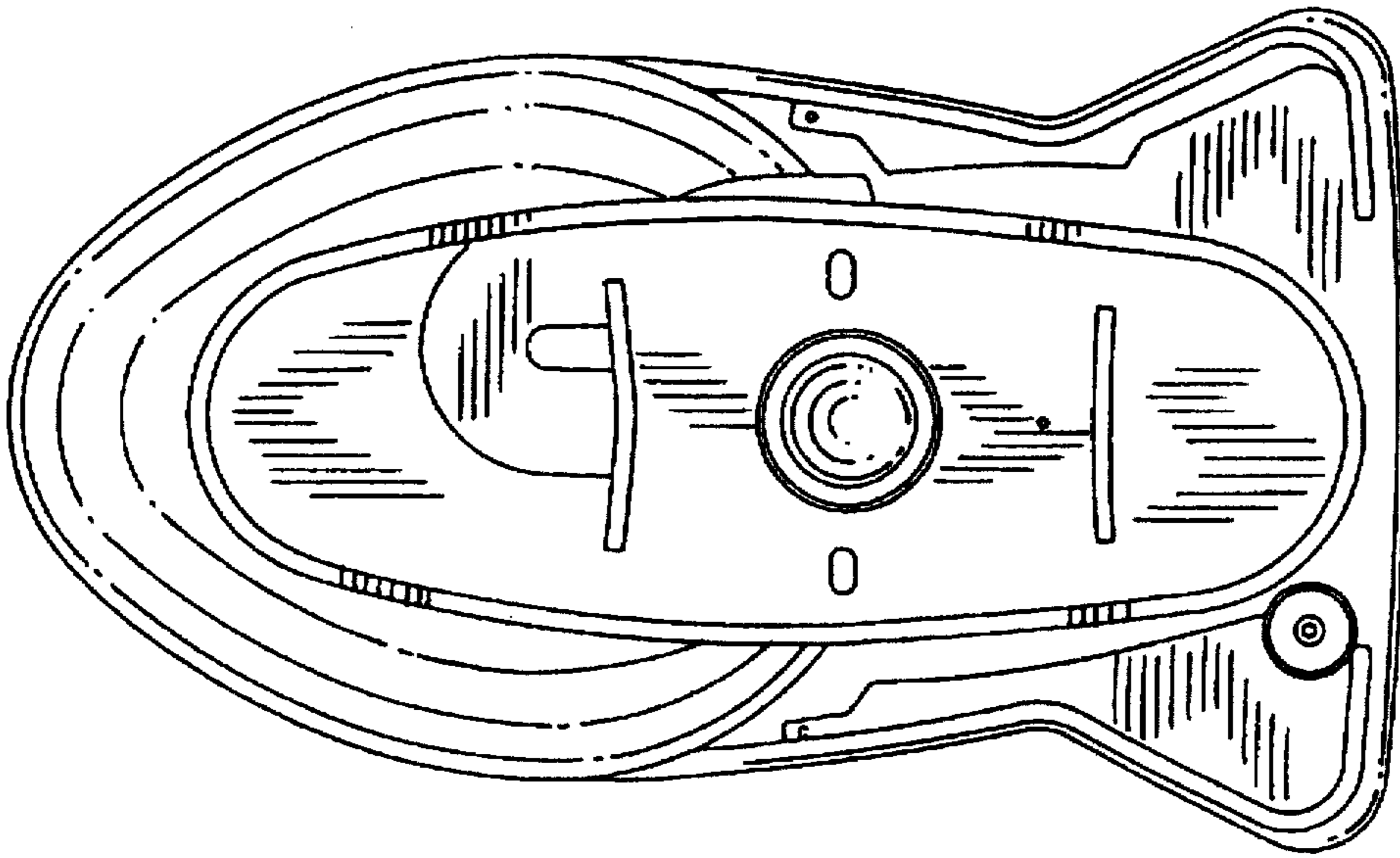


Figure 4

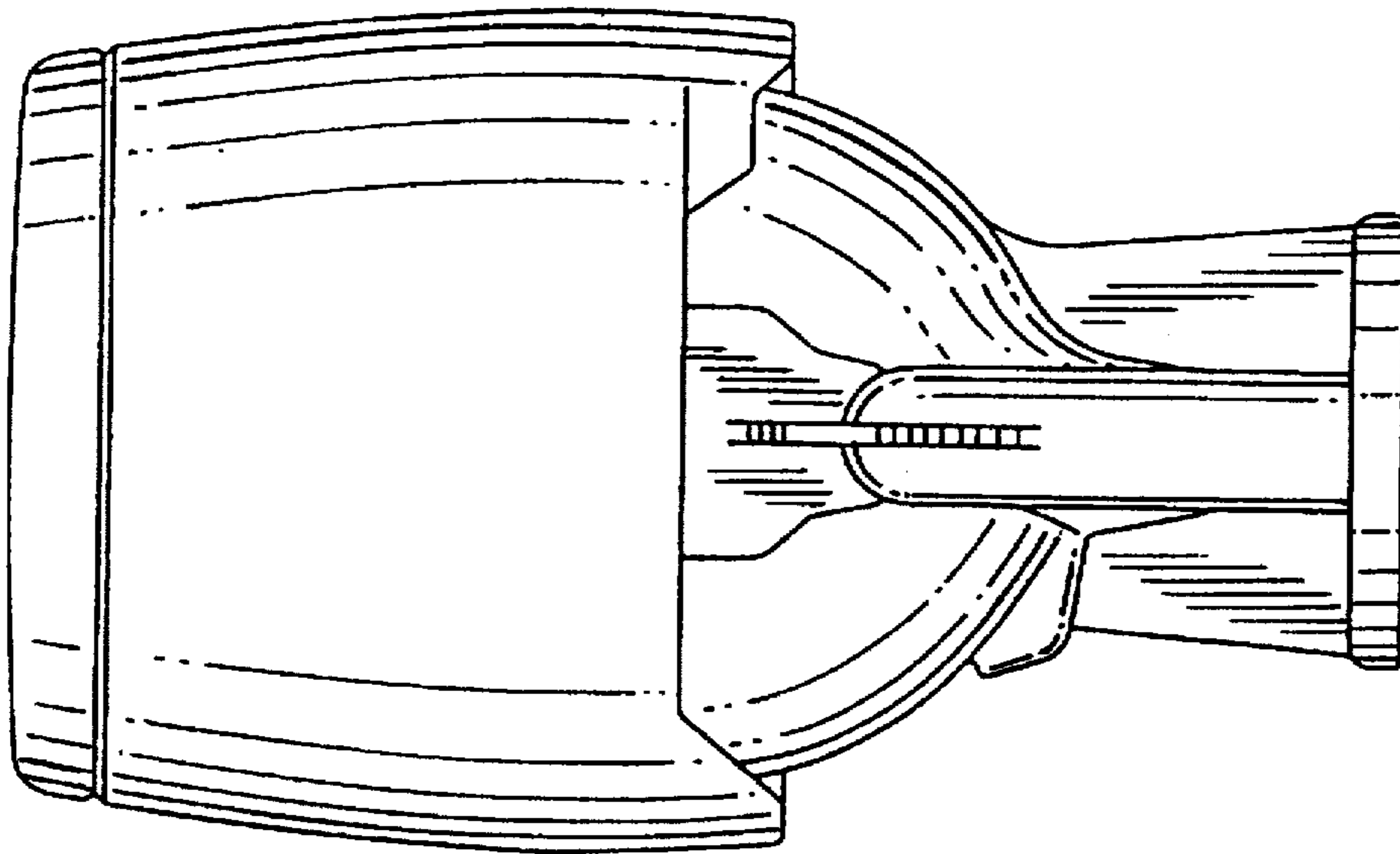


Figure 3

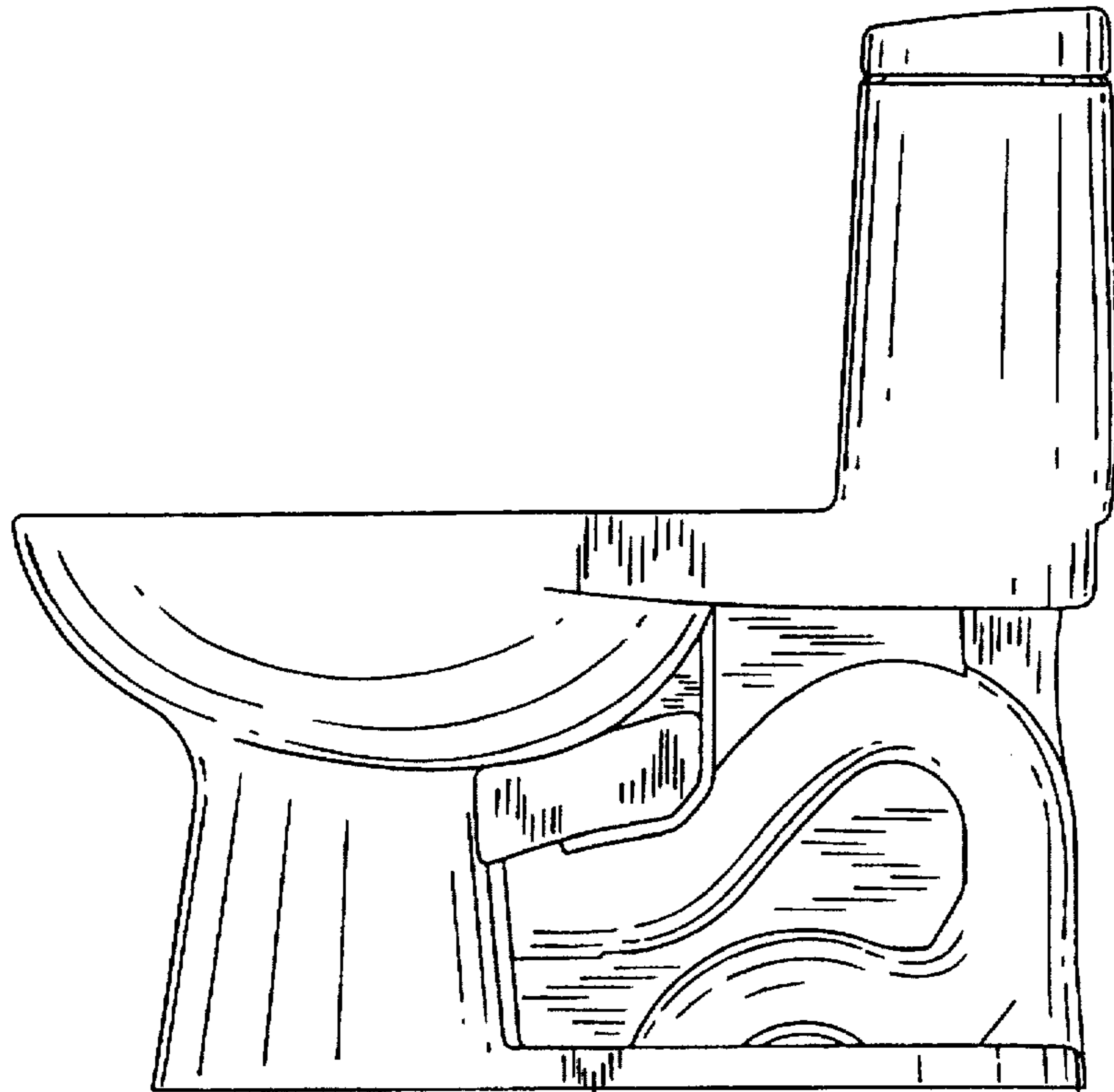


Figure 5

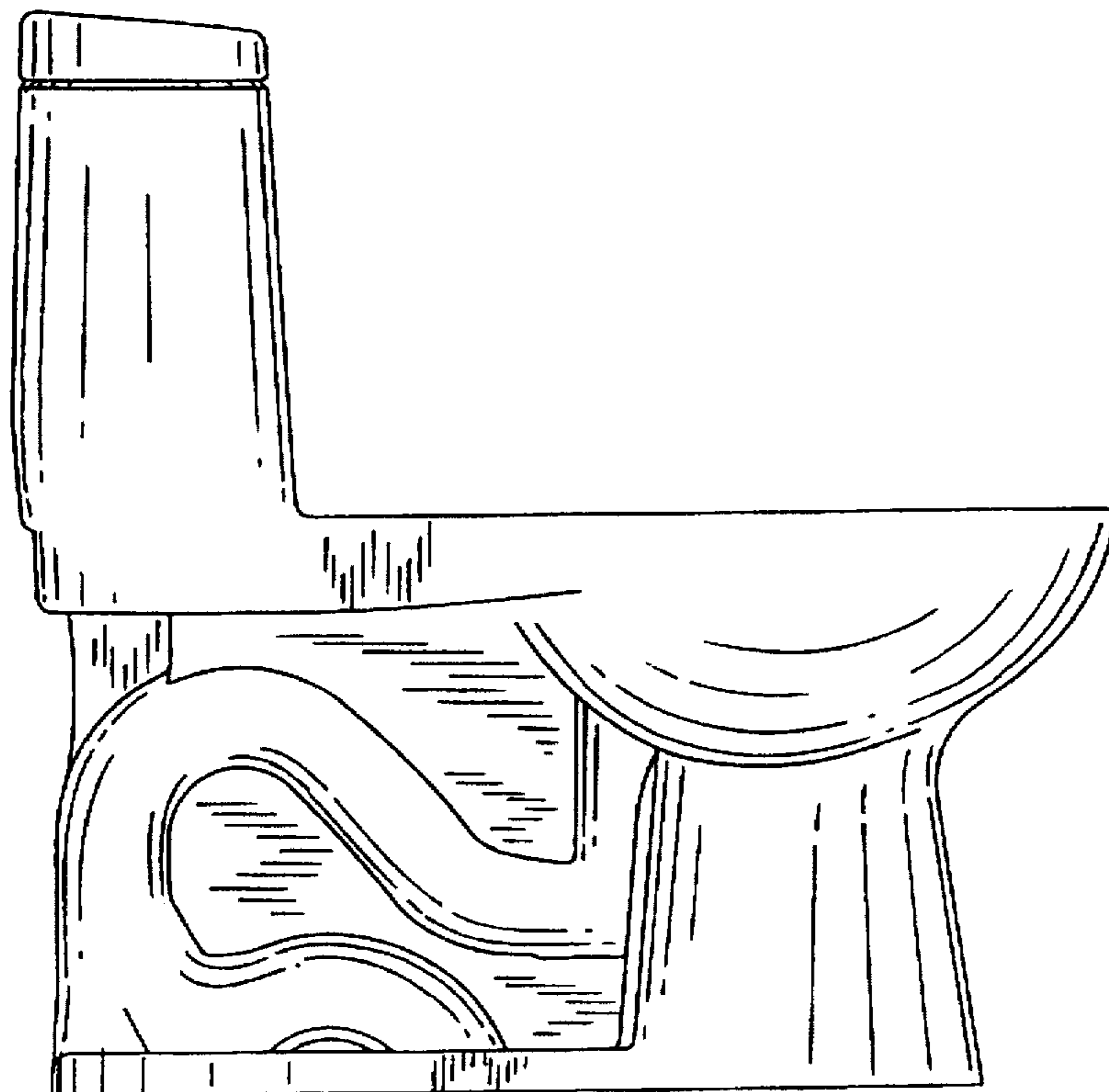


Figure 6

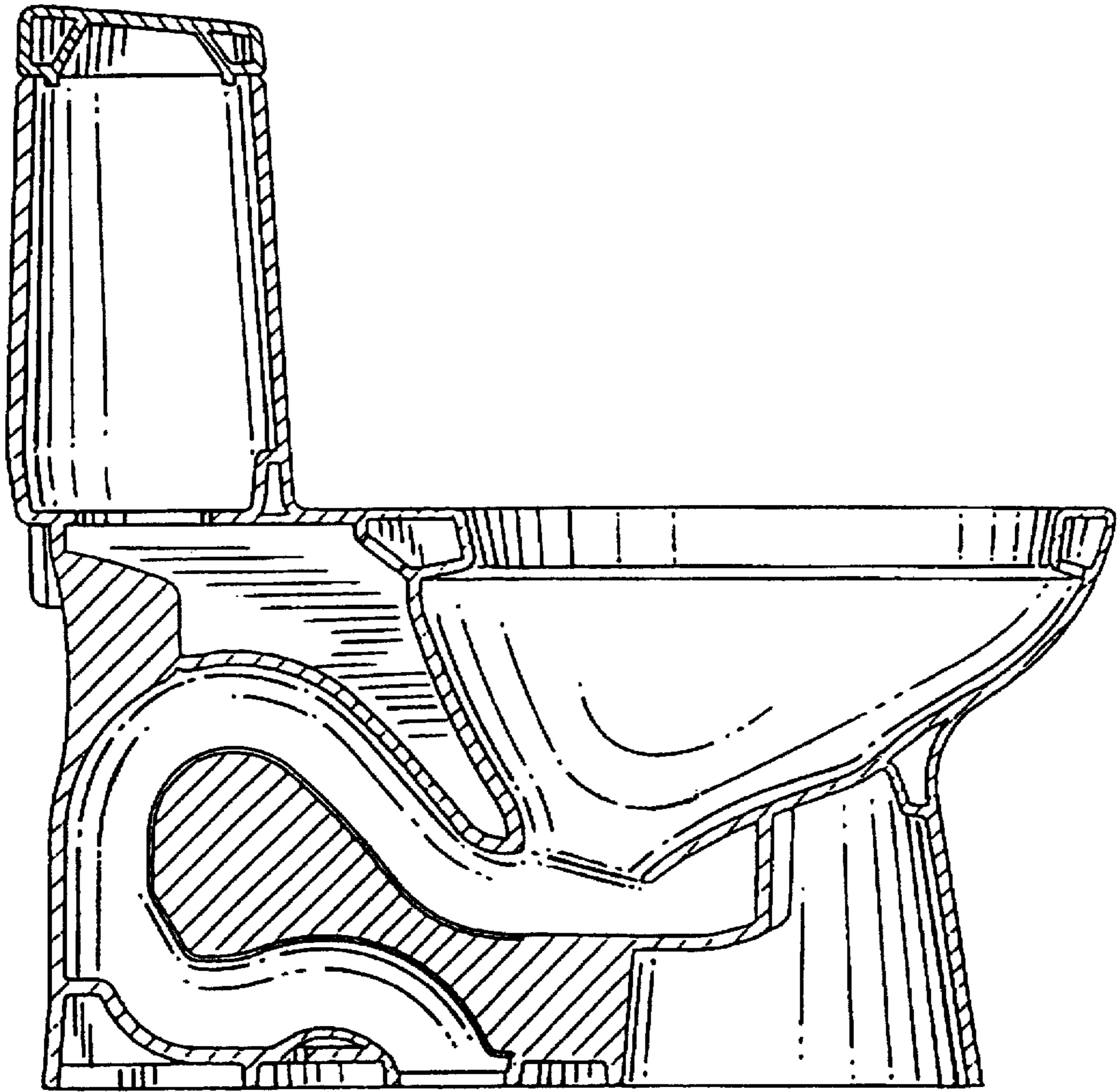


Figure 7

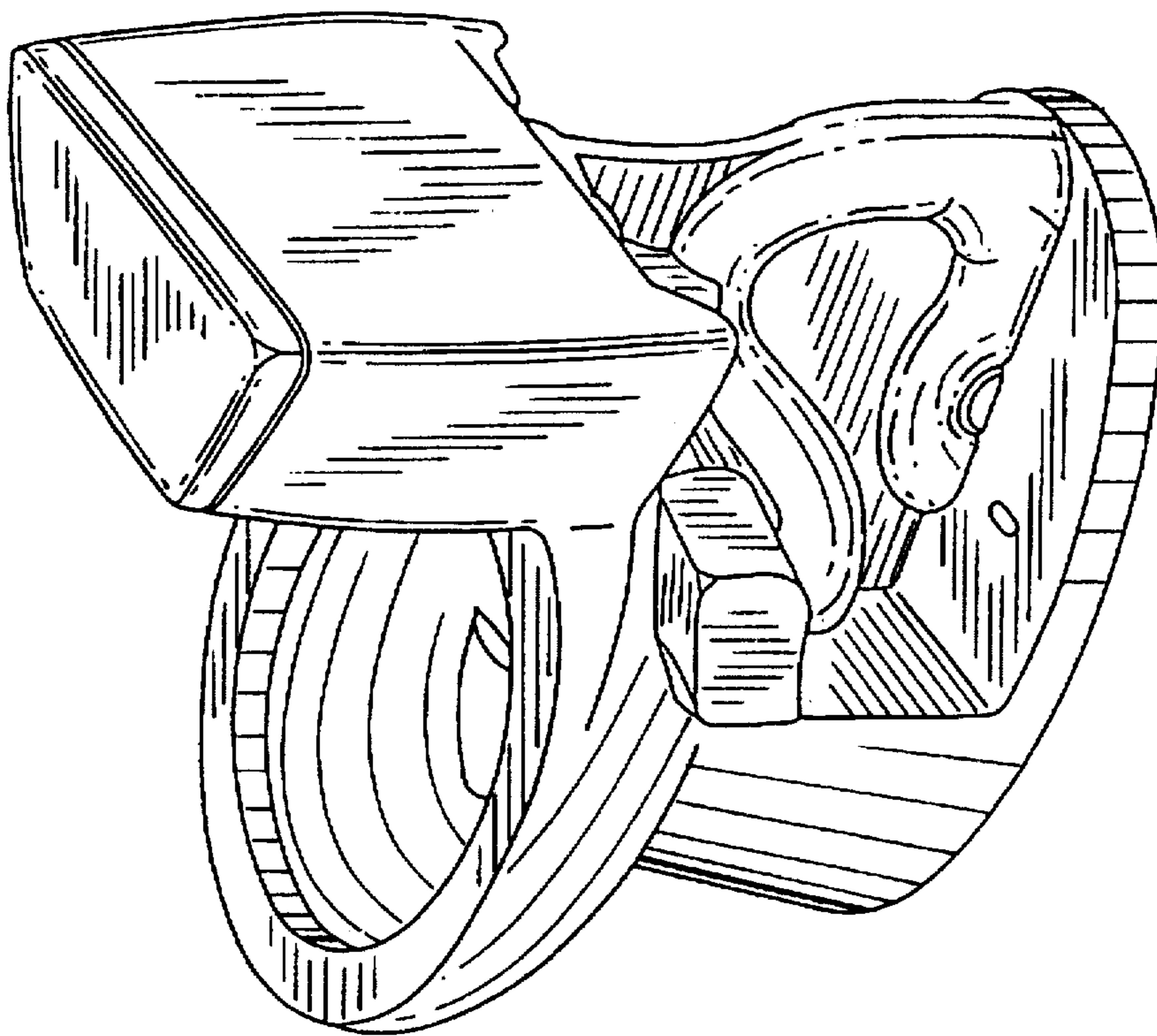


Figure 9

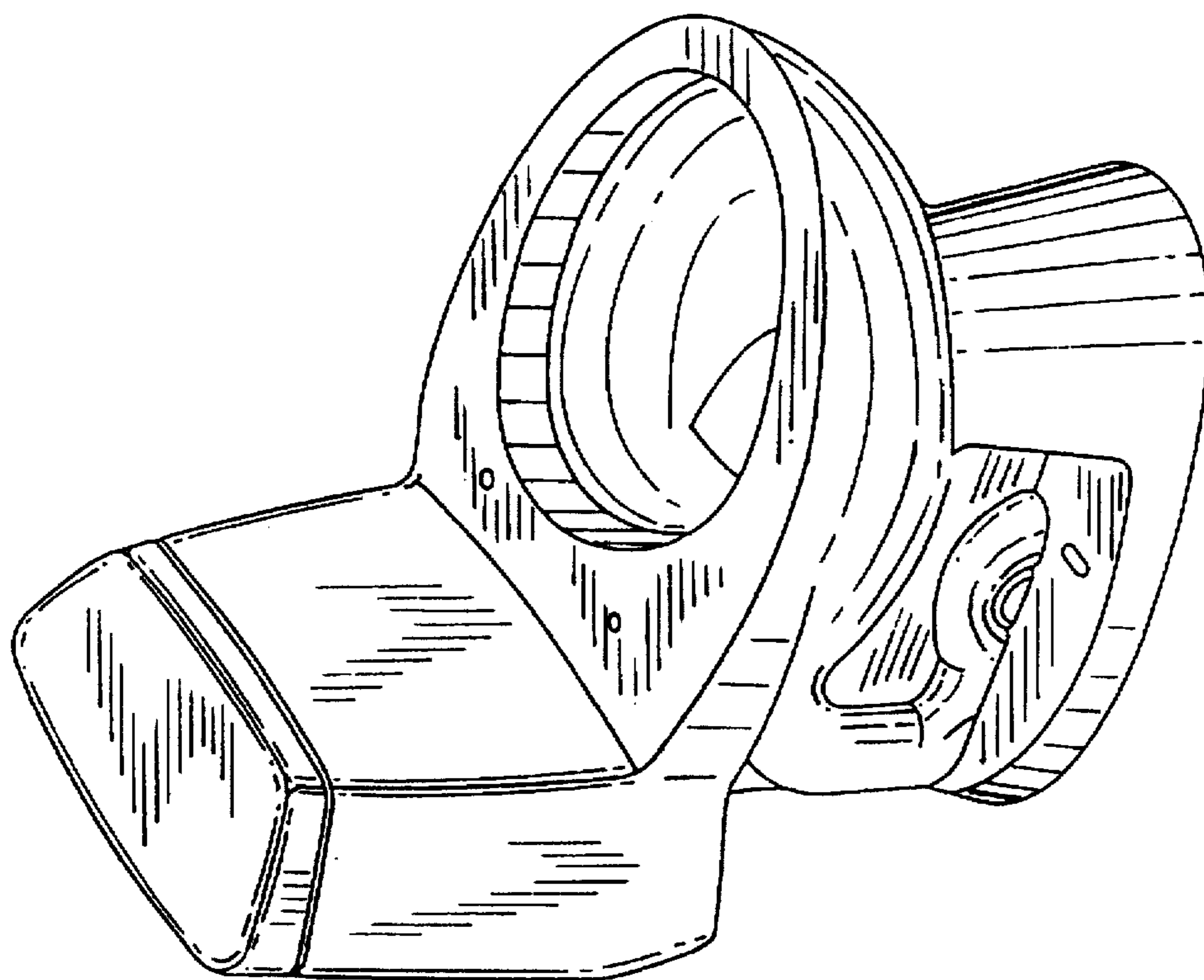


Figure 8

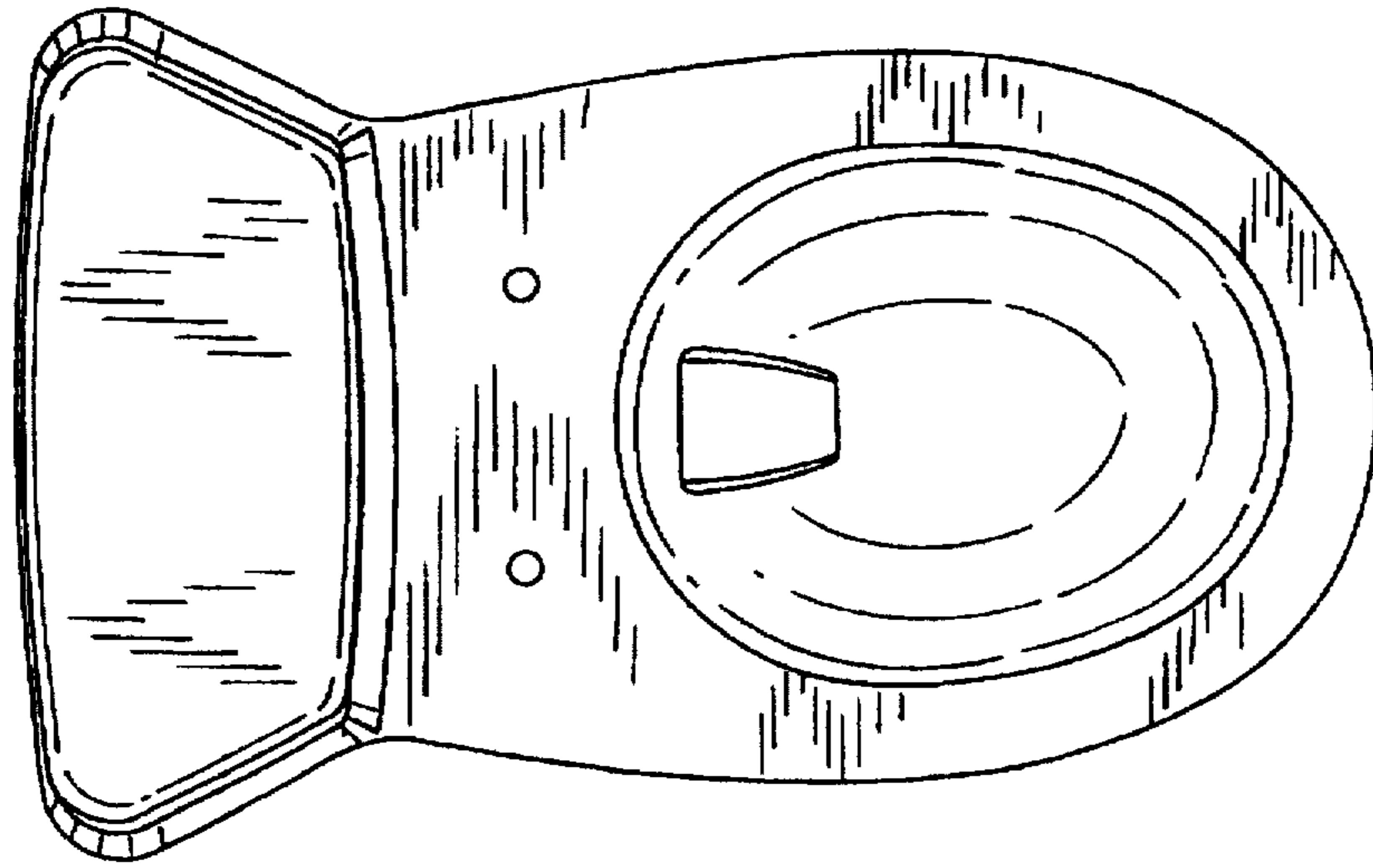


Figure 11

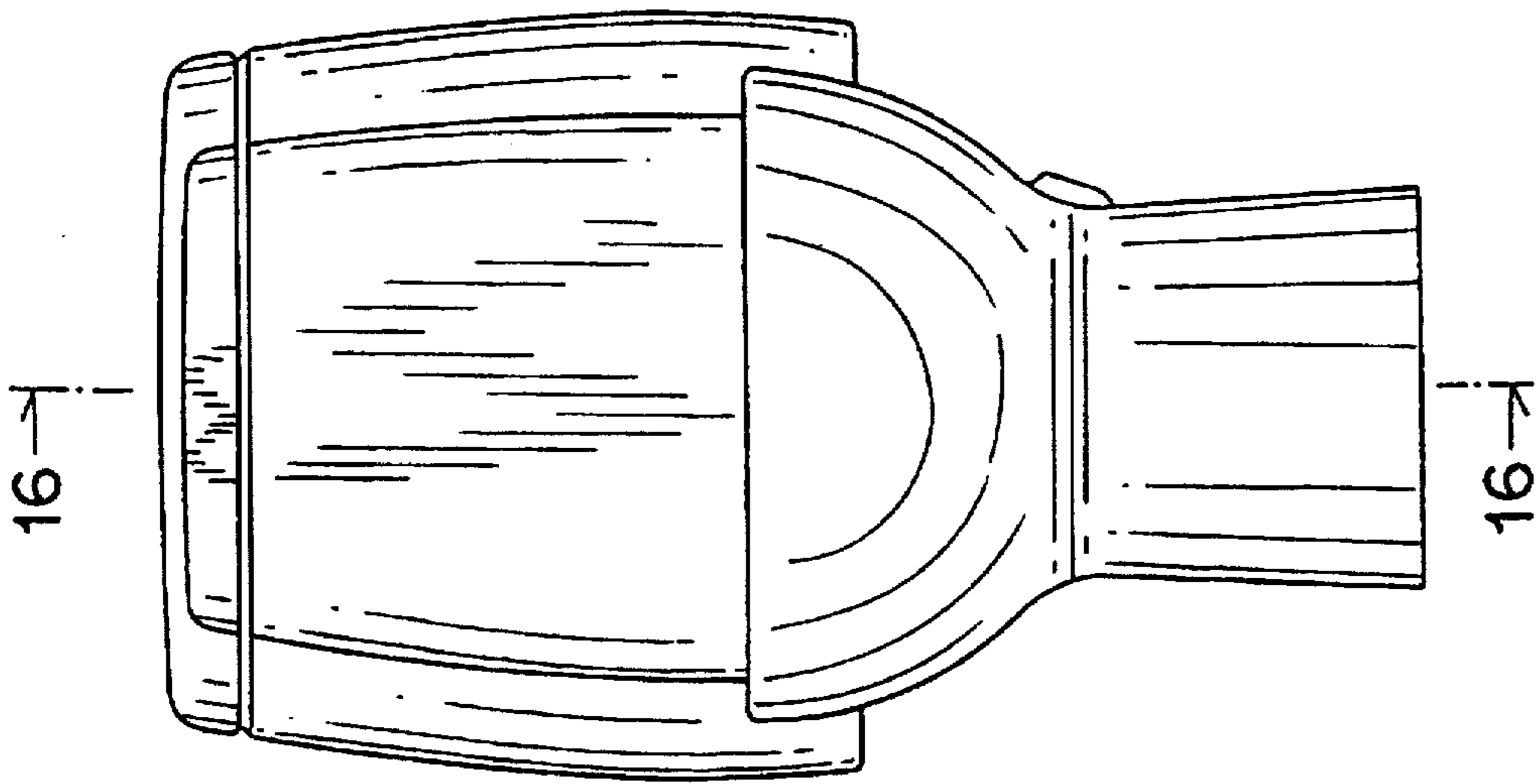


Figure 10

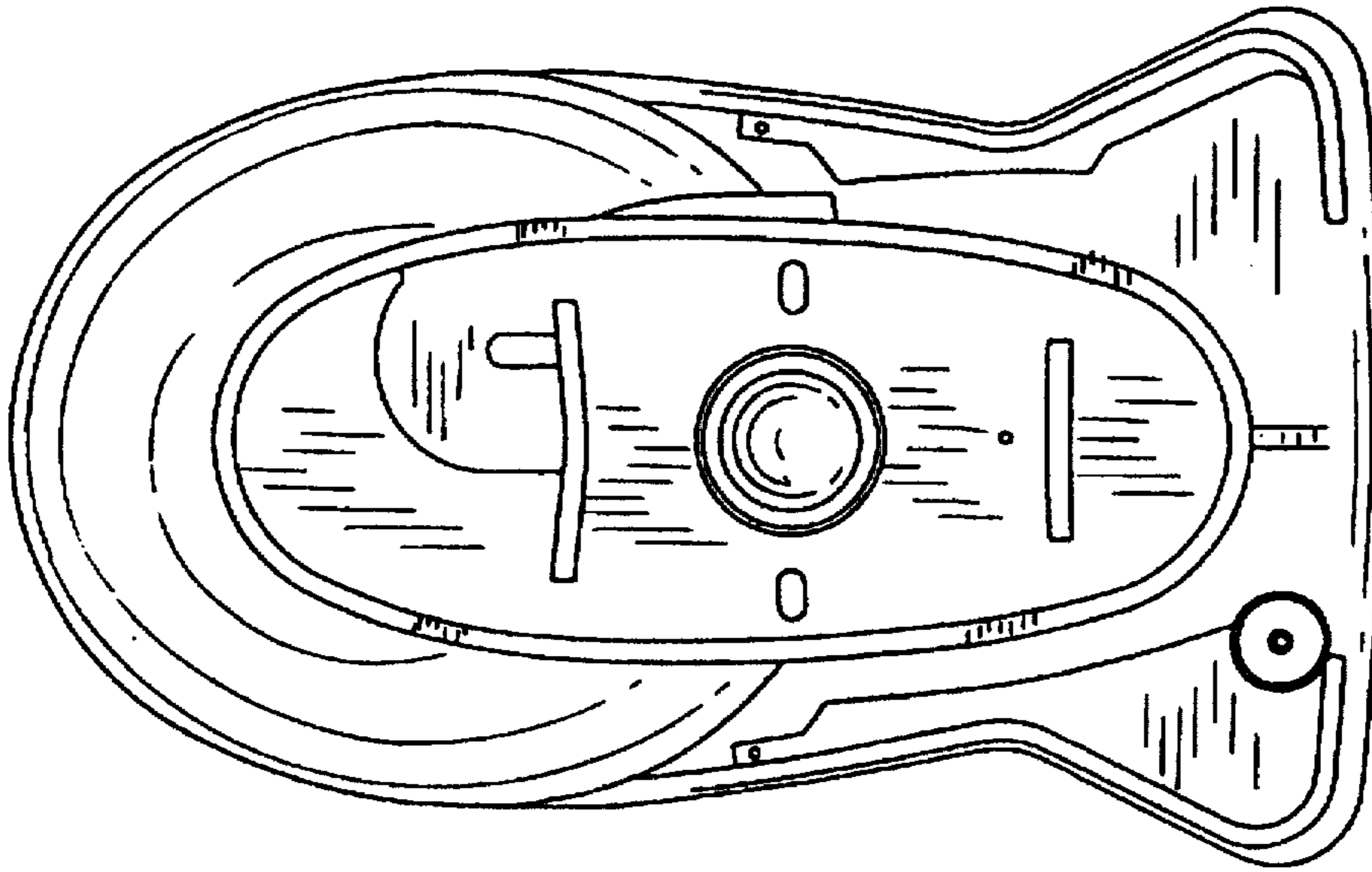


Figure 12

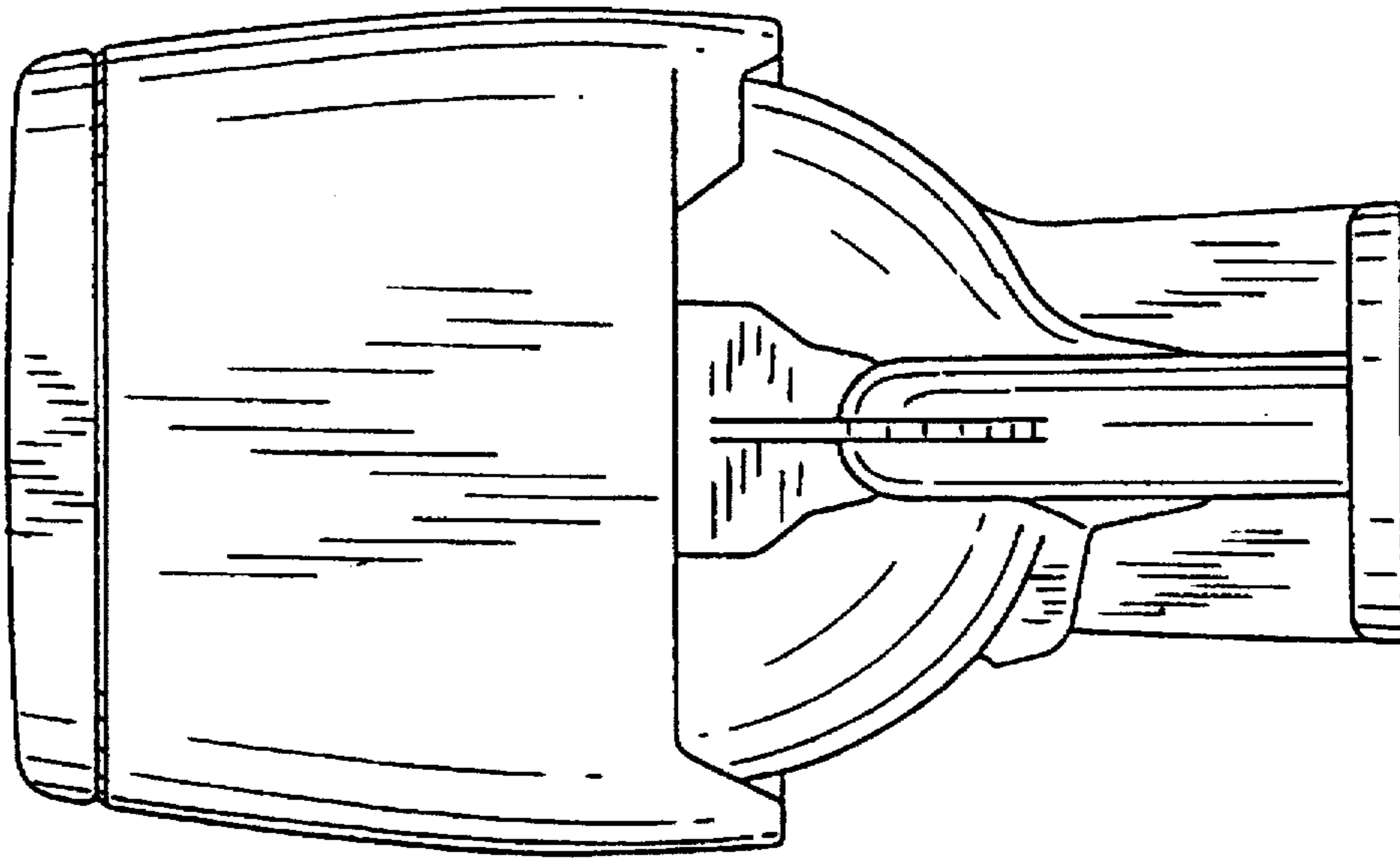


Figure 13

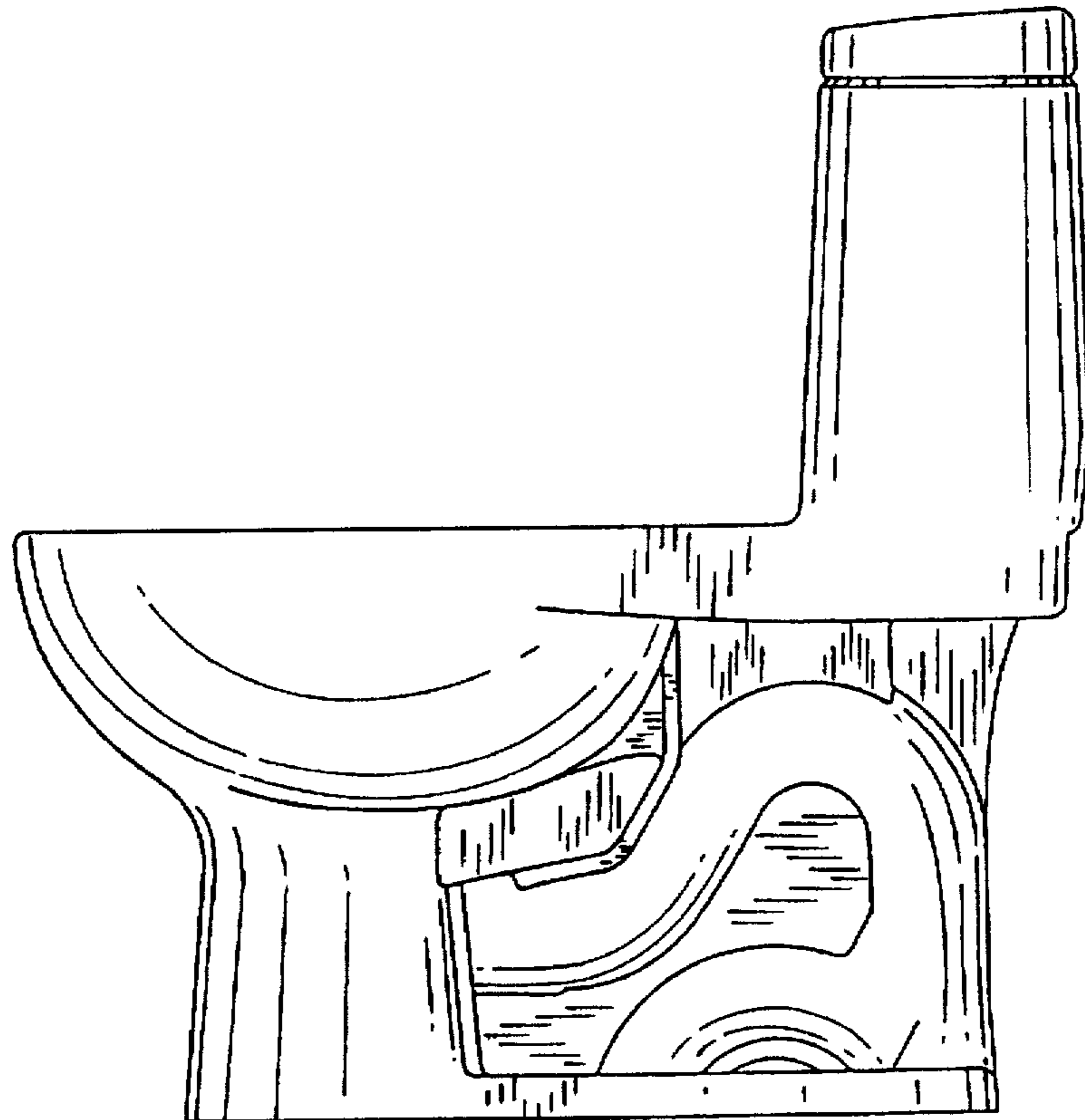


Figure 14

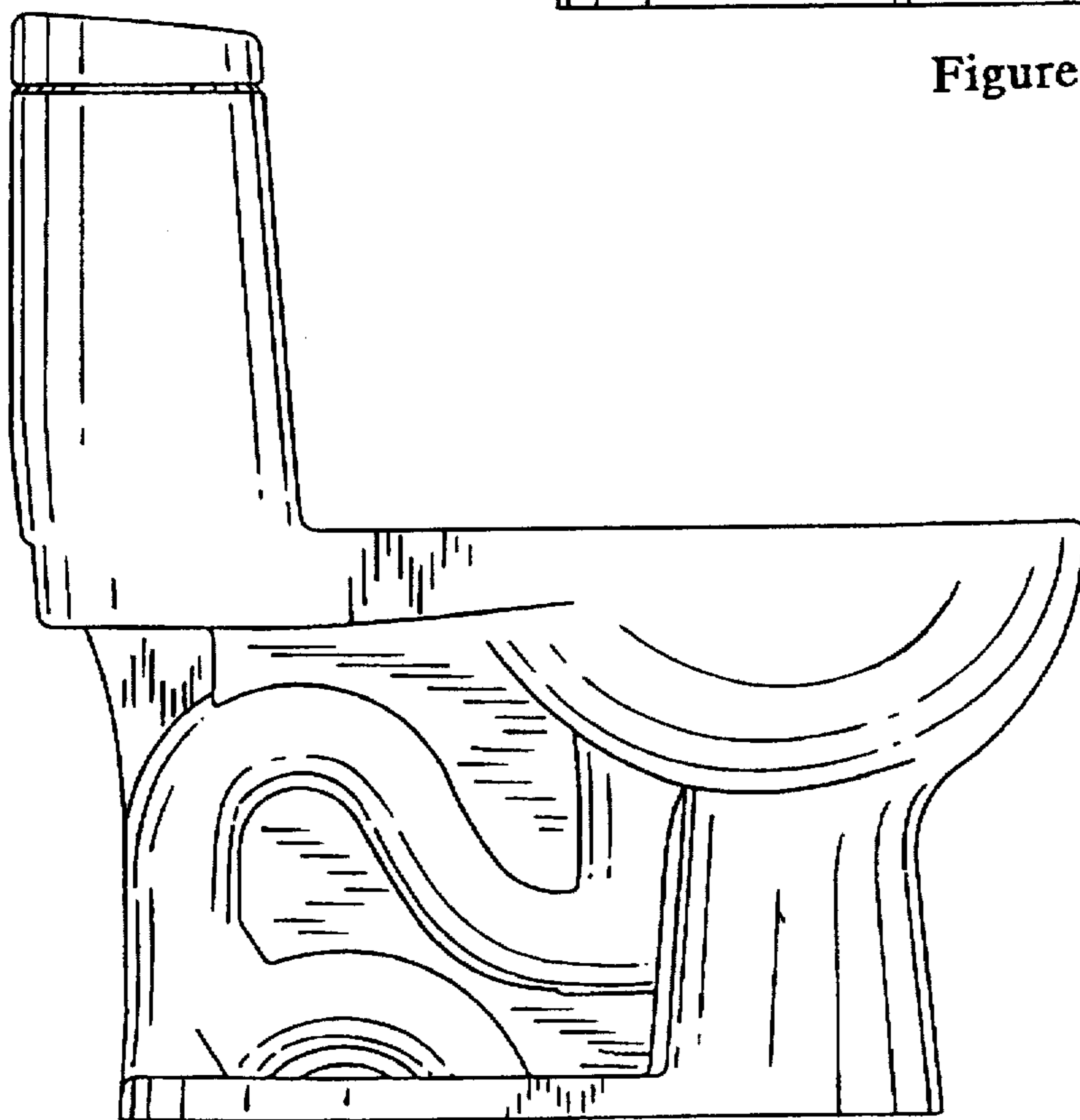


Figure 15

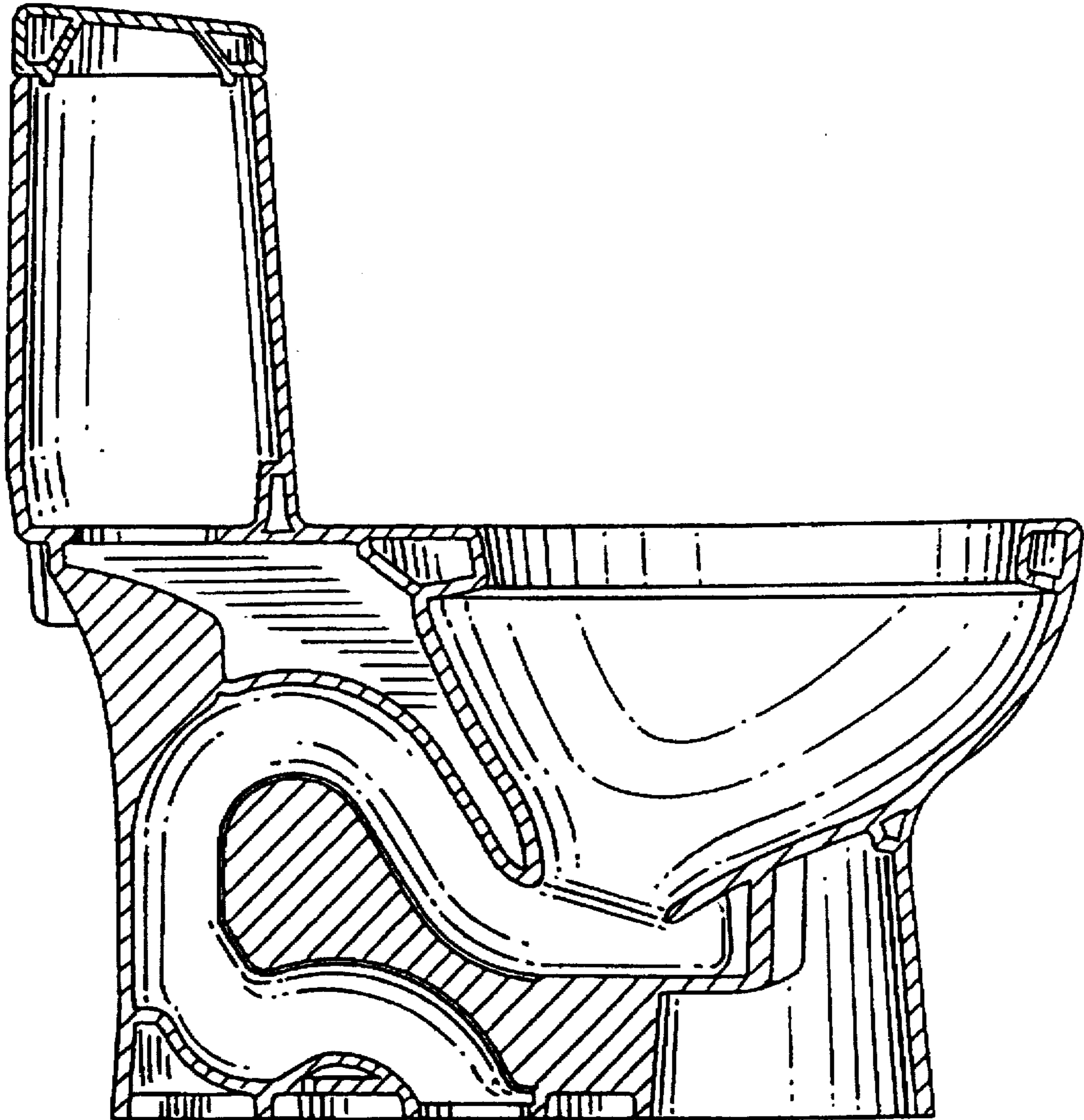


FIGURE 16

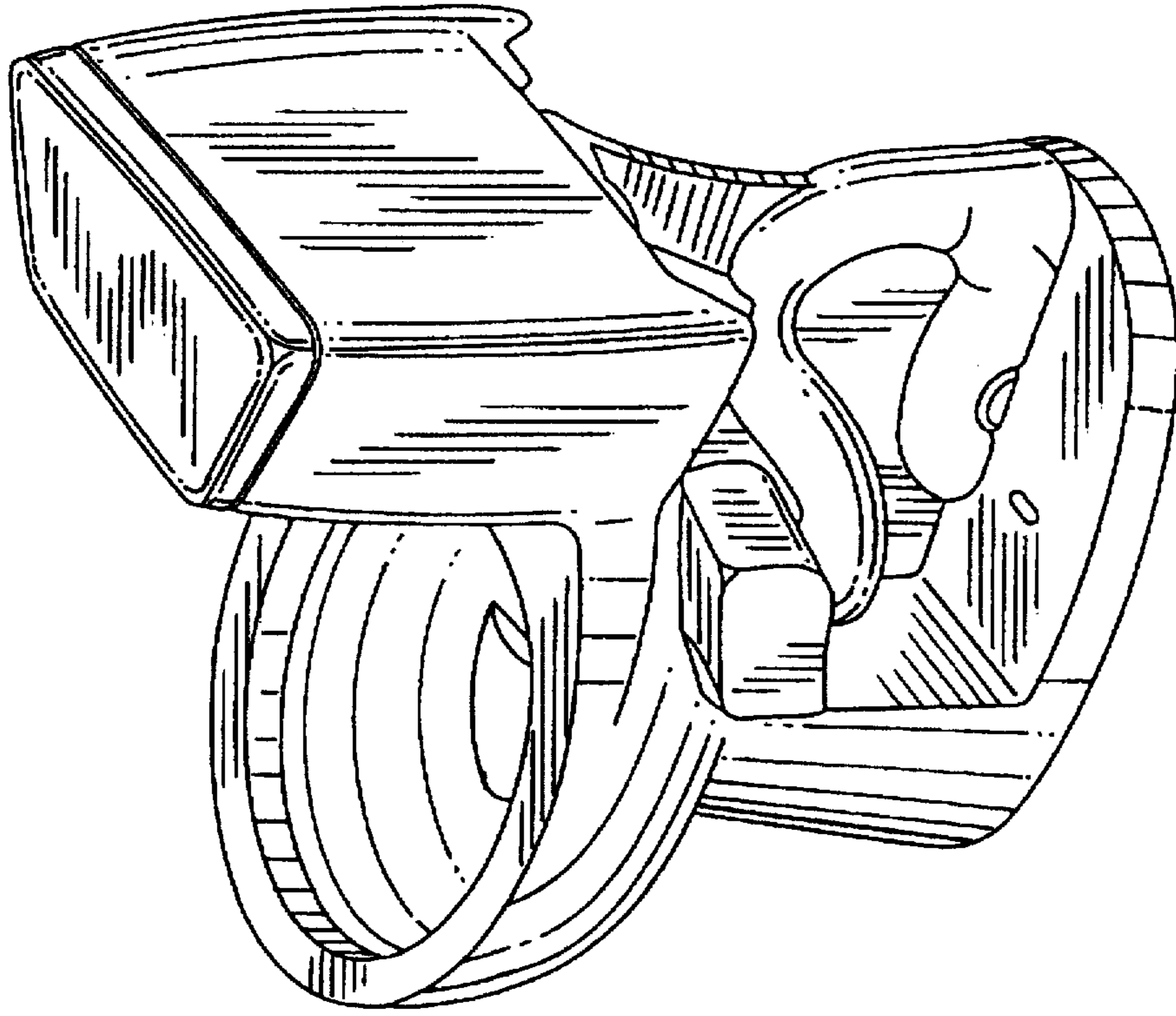


FIGURE 18

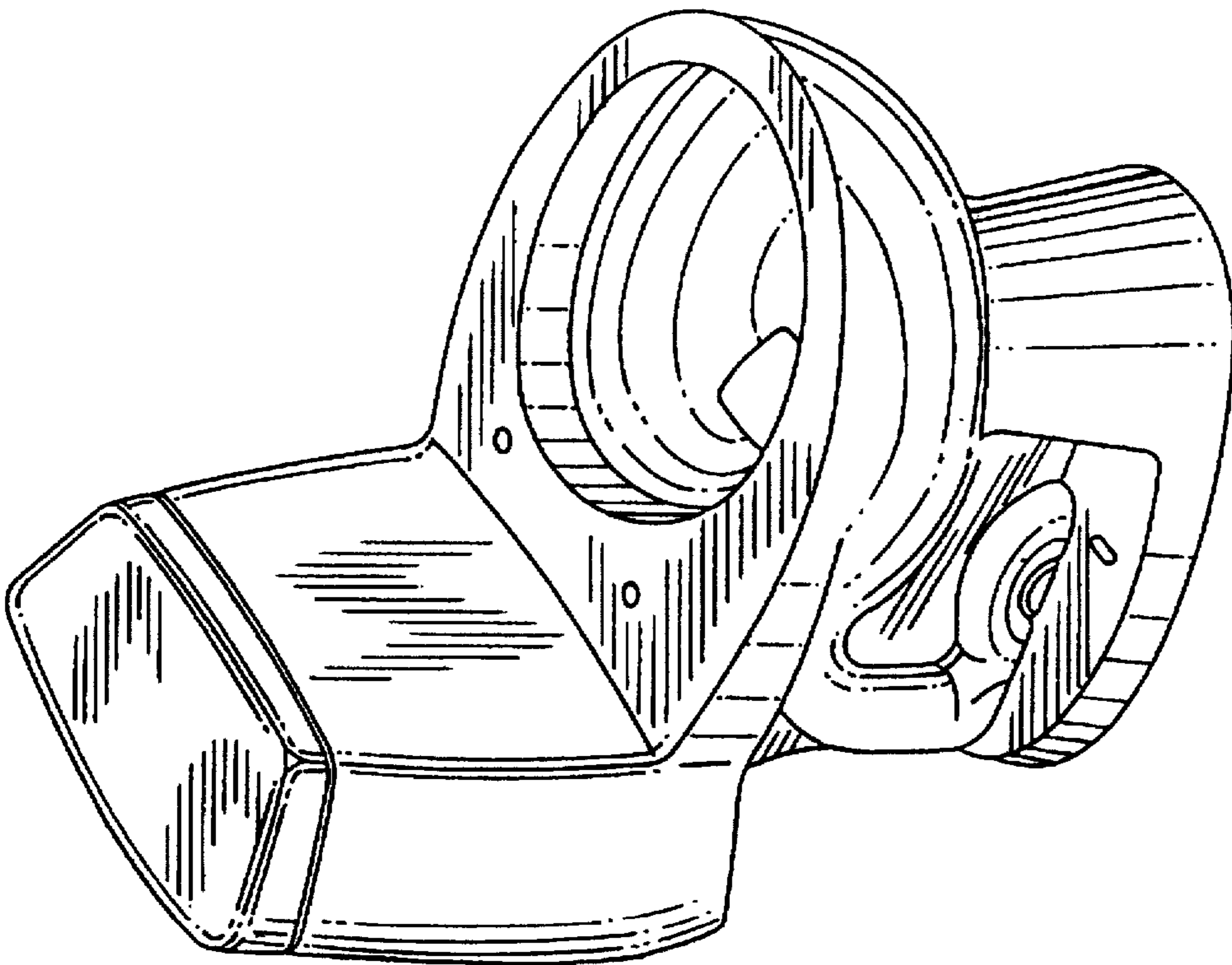


FIGURE 17

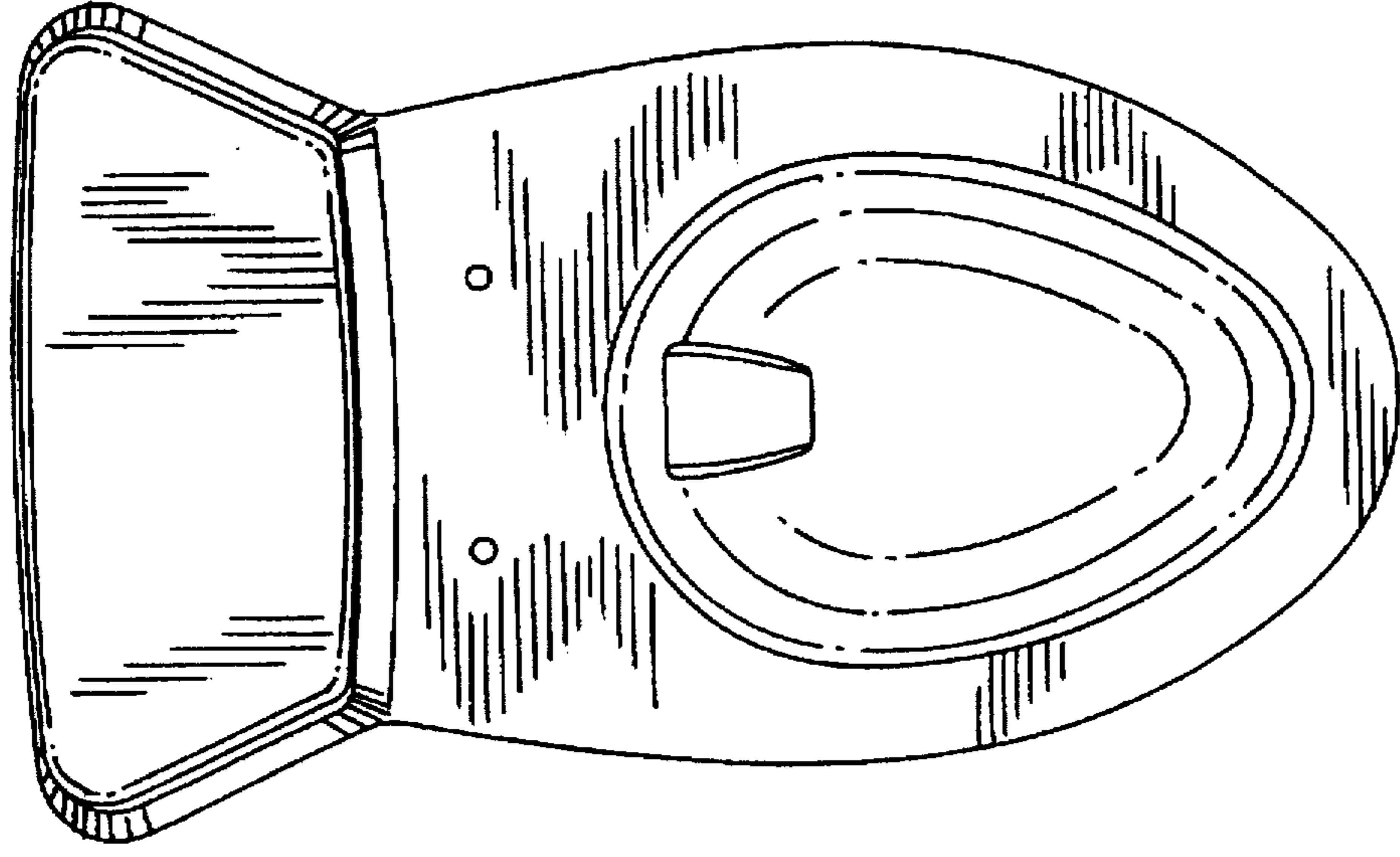


FIGURE 20

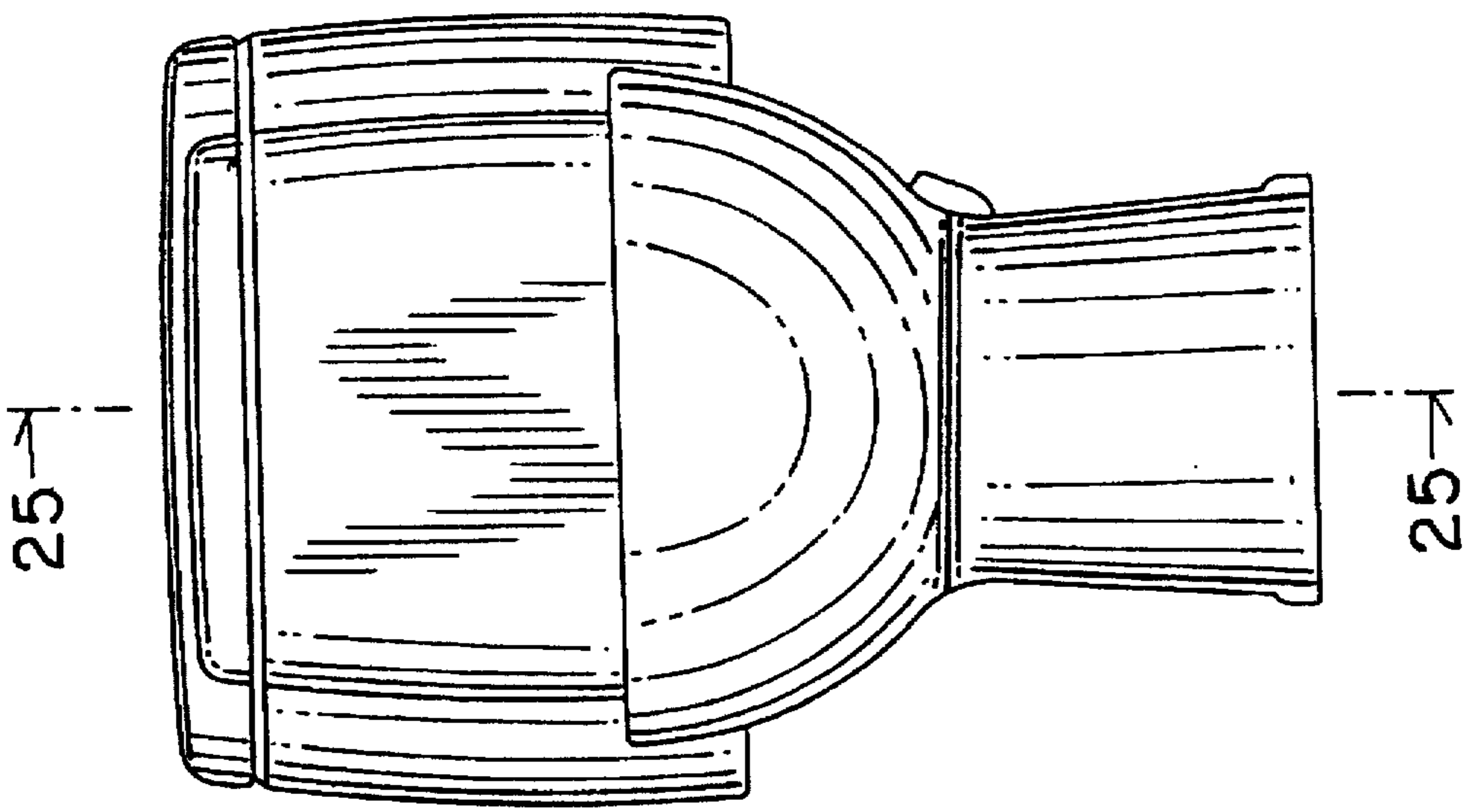


FIGURE 19

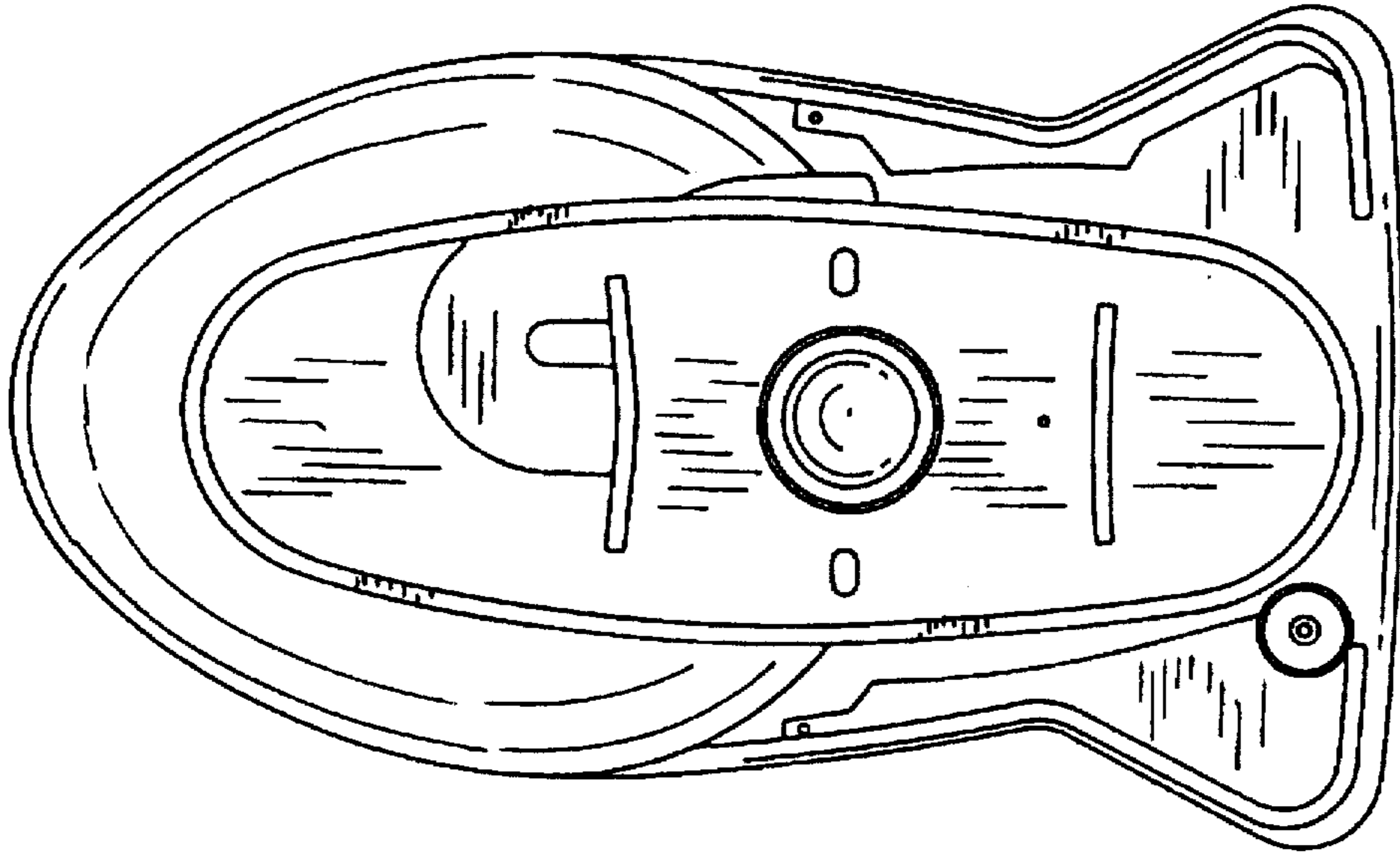


FIGURE 22

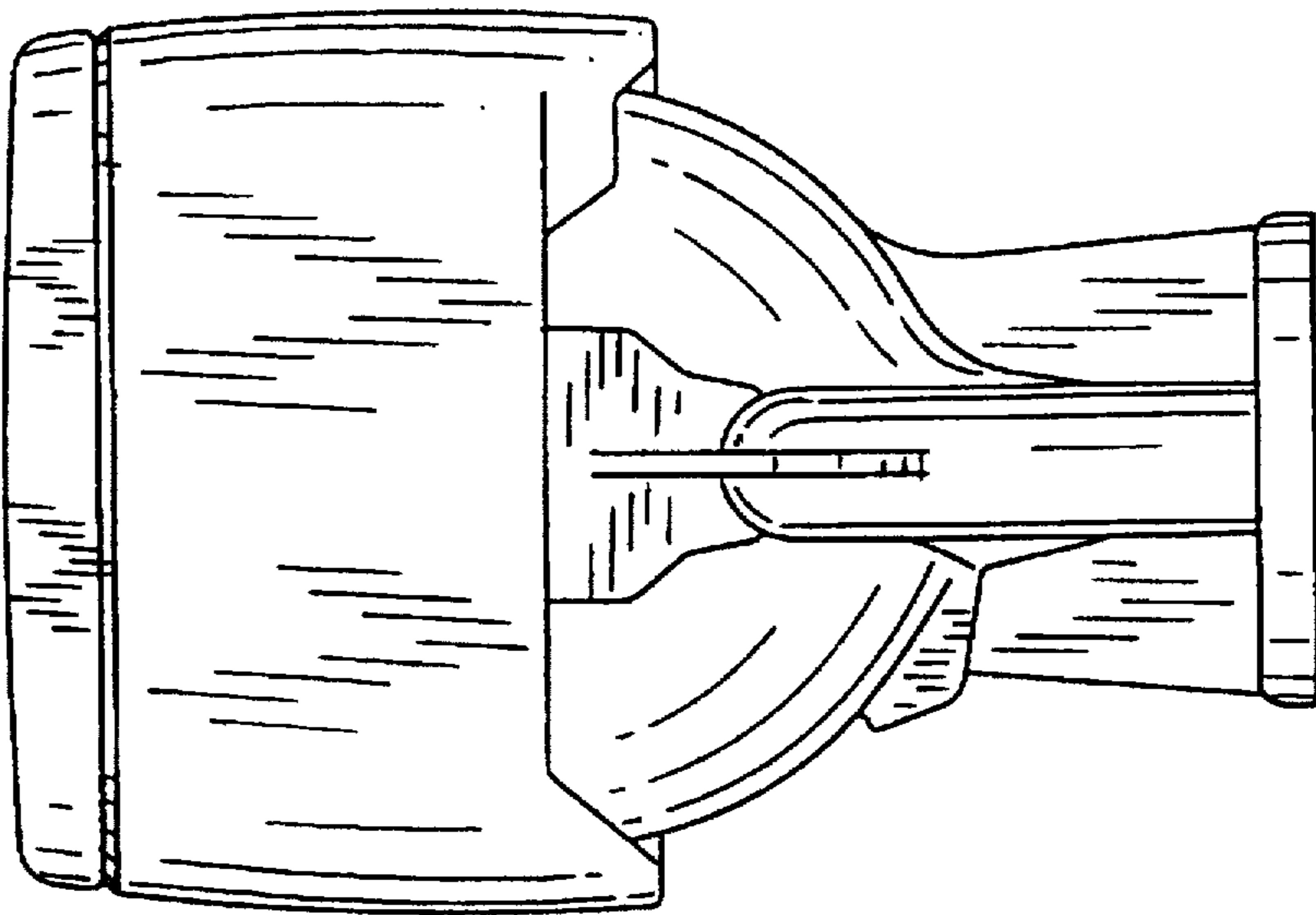


FIGURE 21

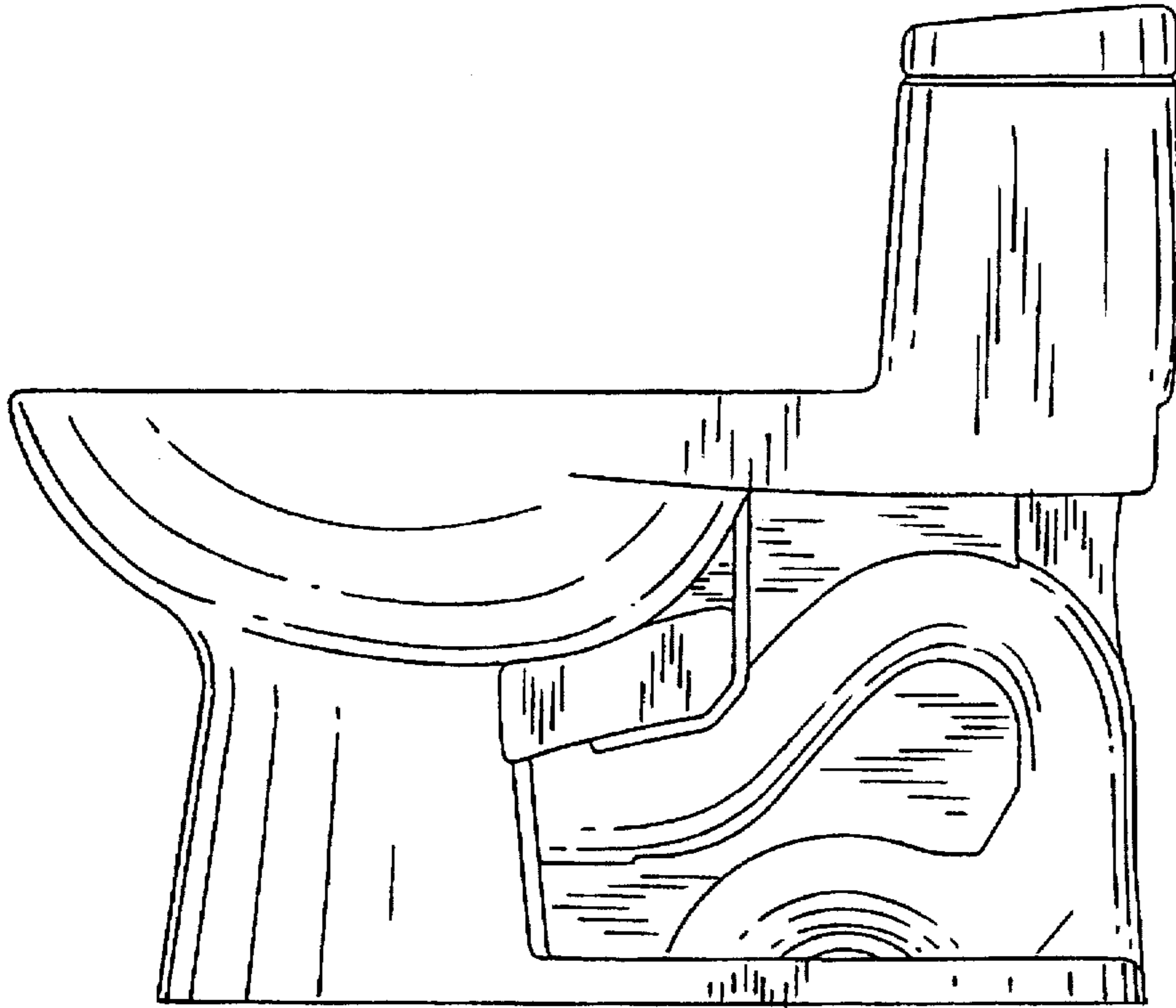


FIGURE 23

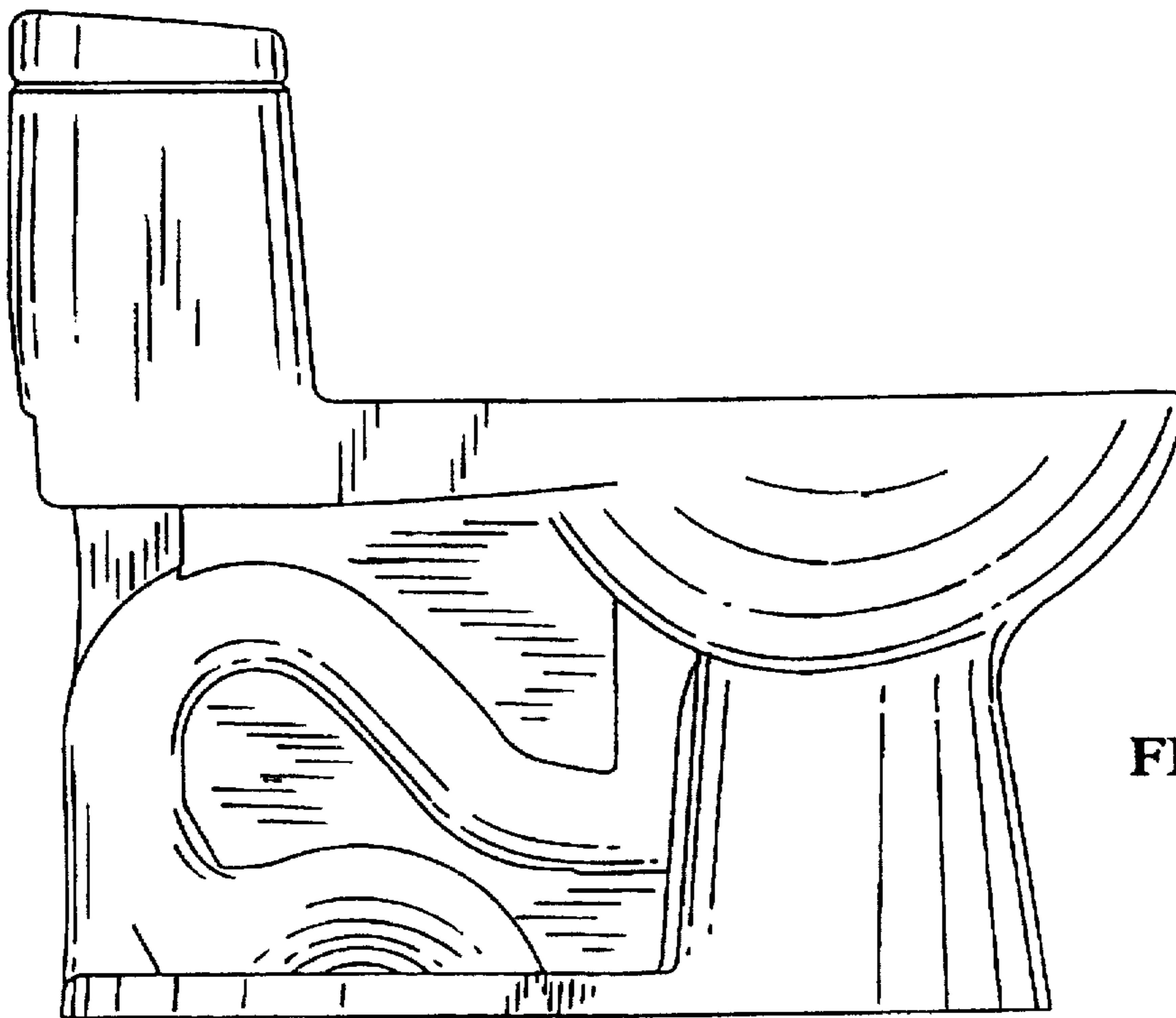


FIGURE 24

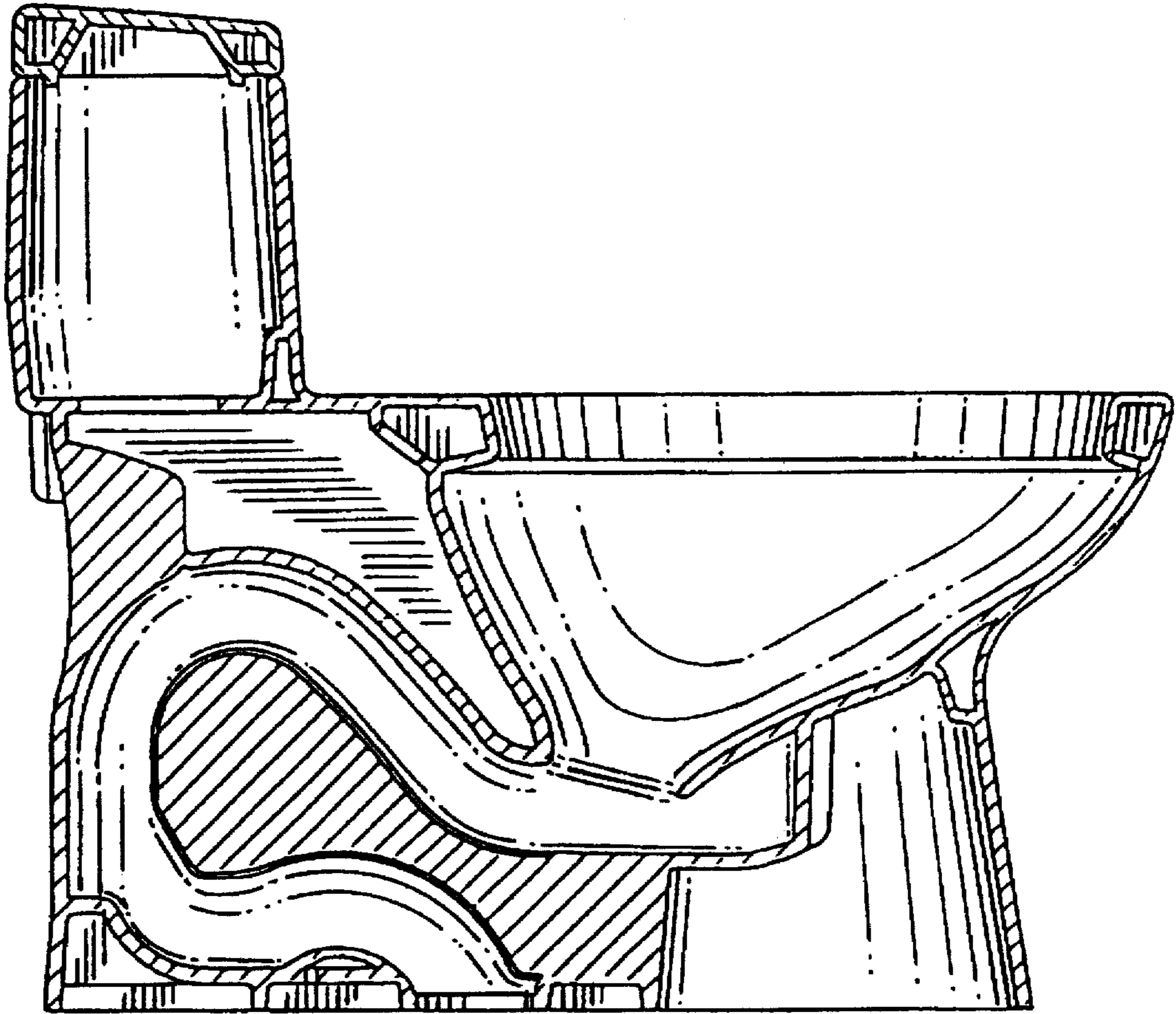


FIGURE 25

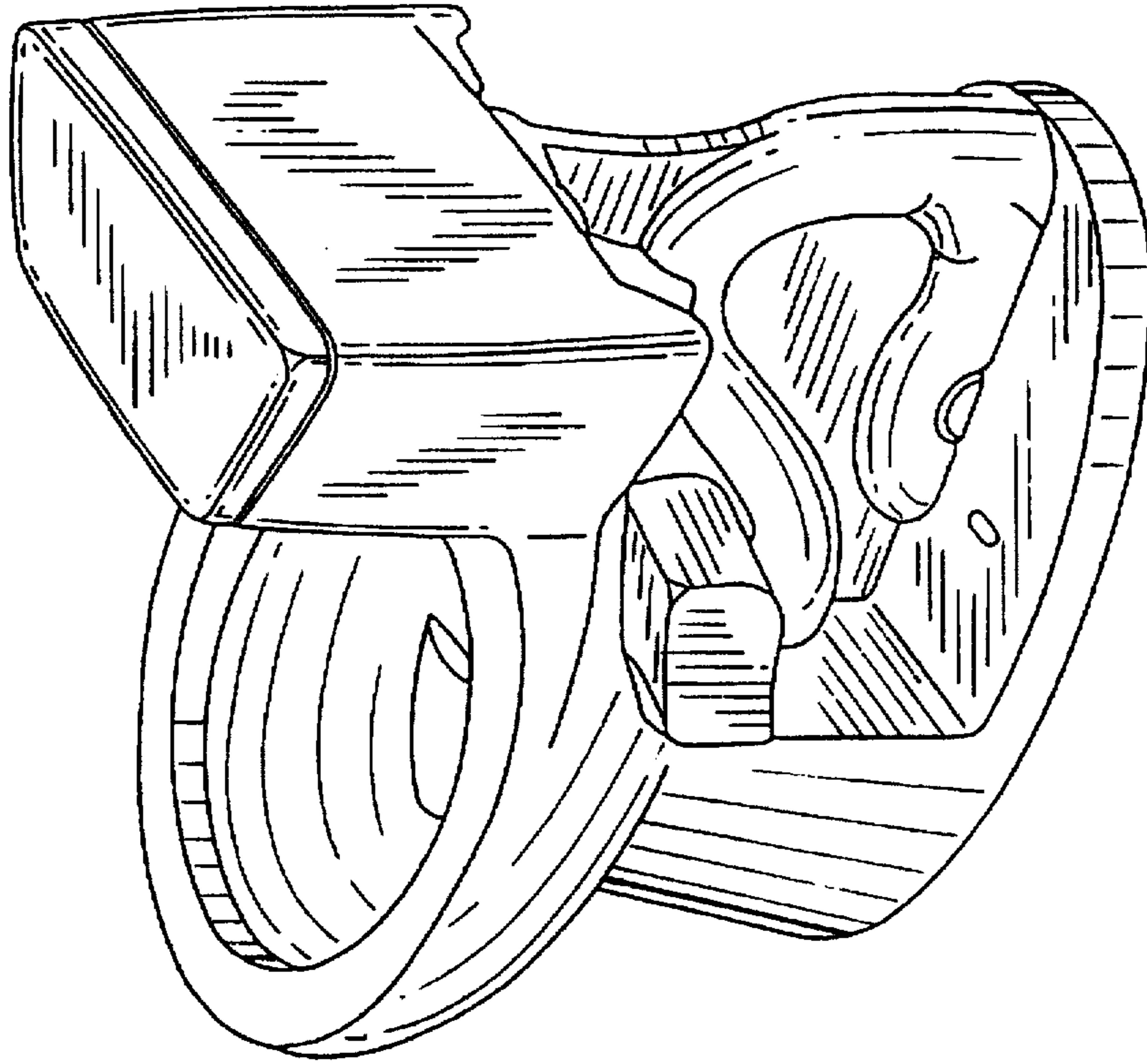


FIGURE 27

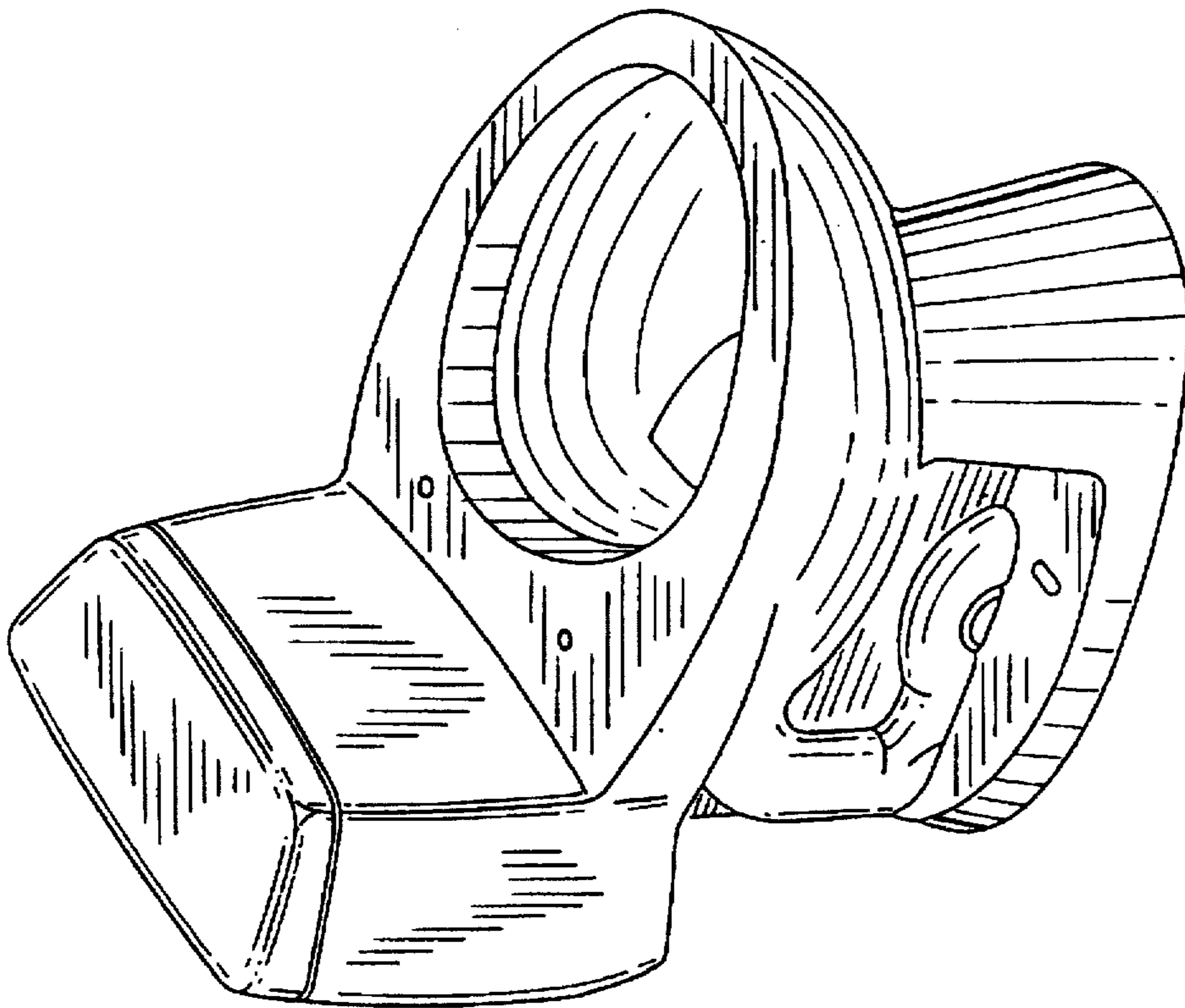


FIGURE 26

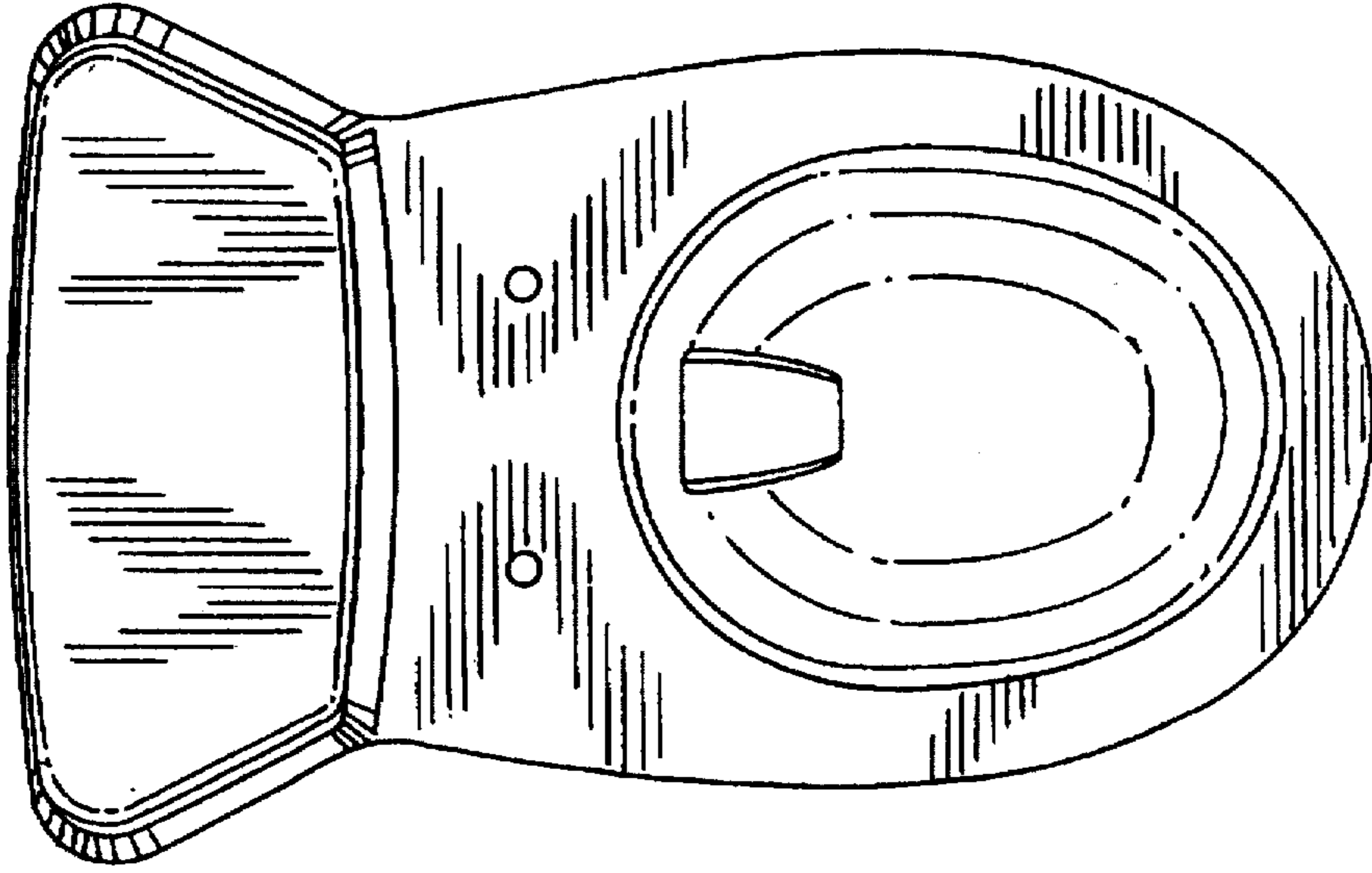


FIGURE 29

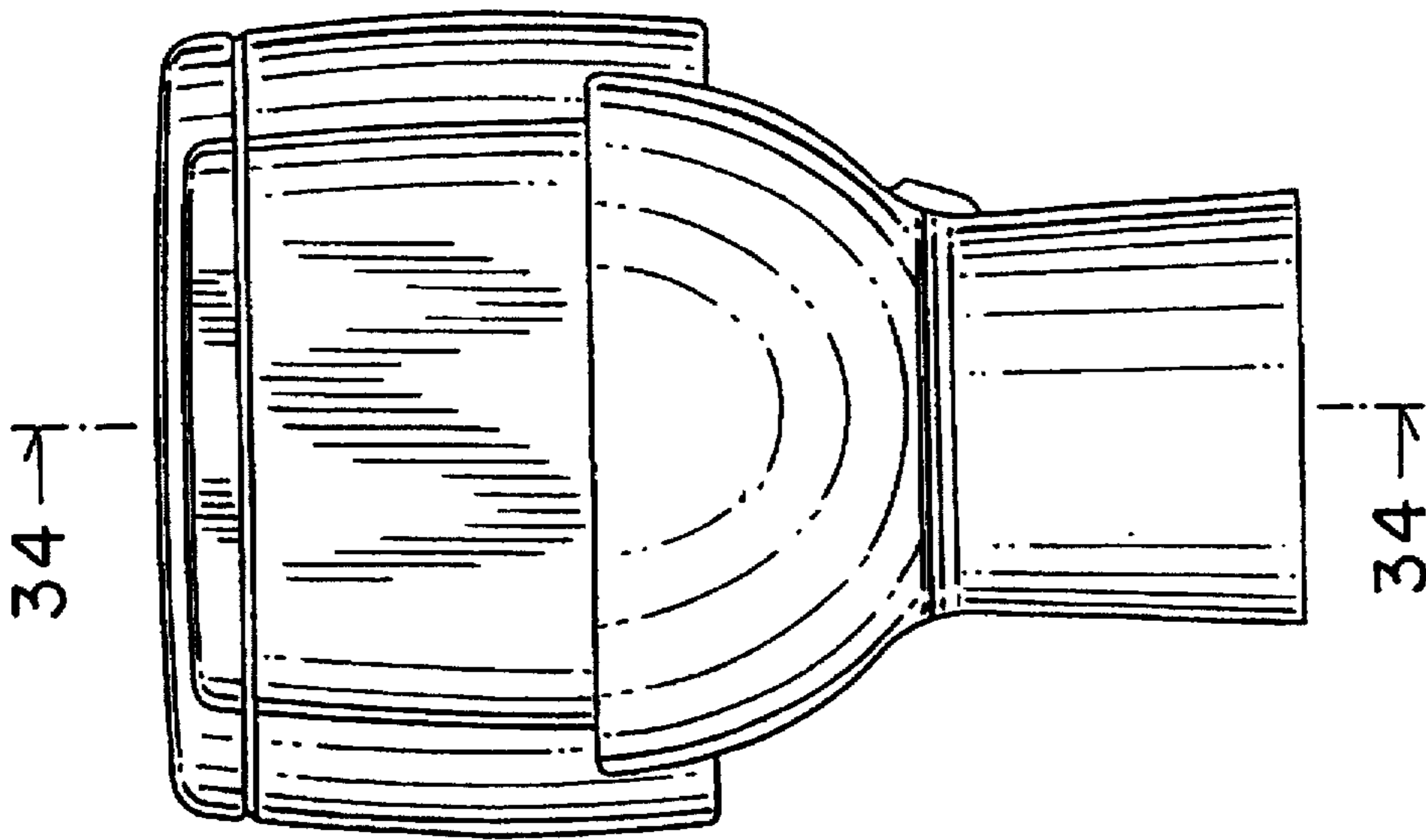


FIGURE 28

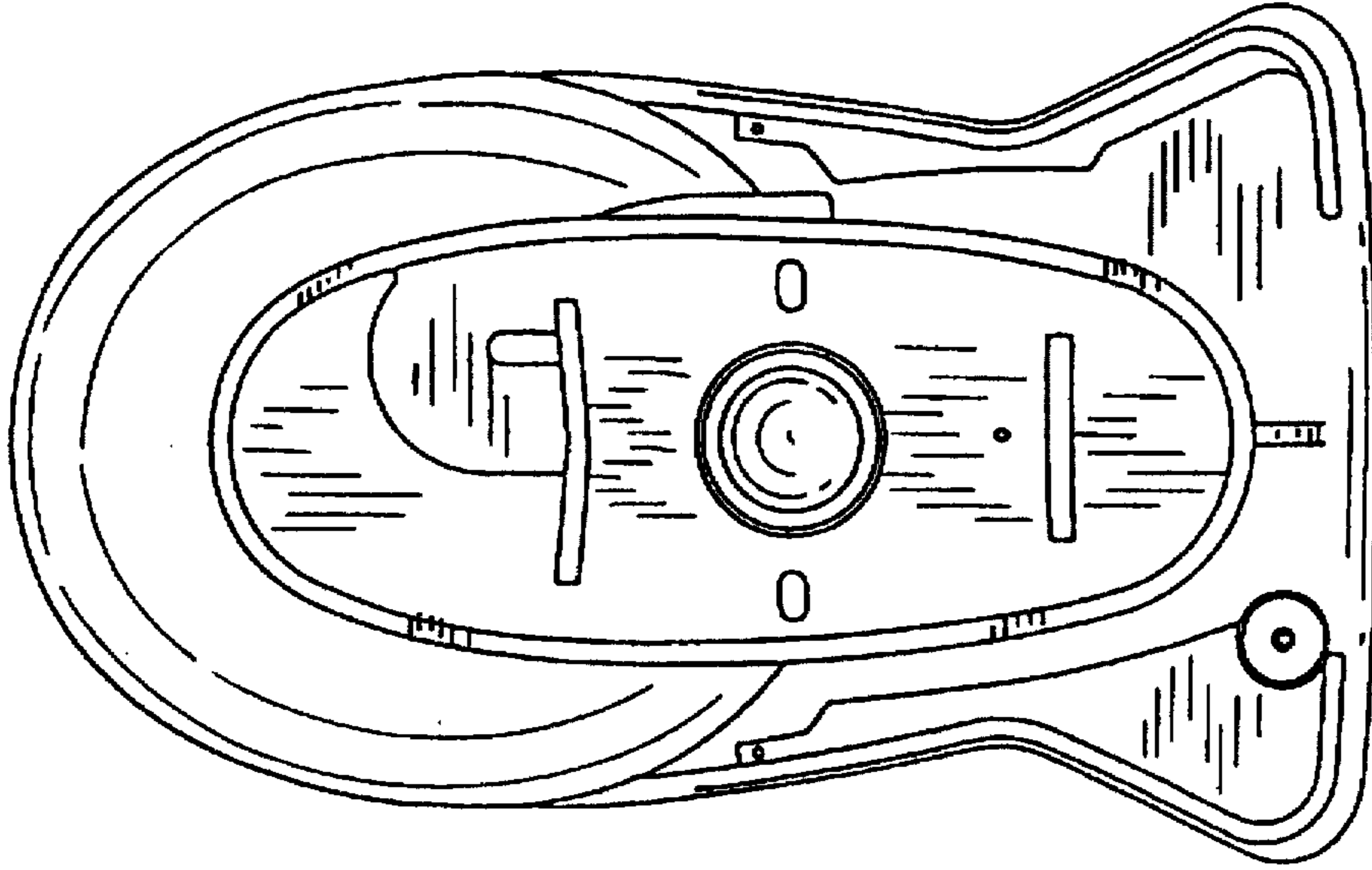


FIGURE 31

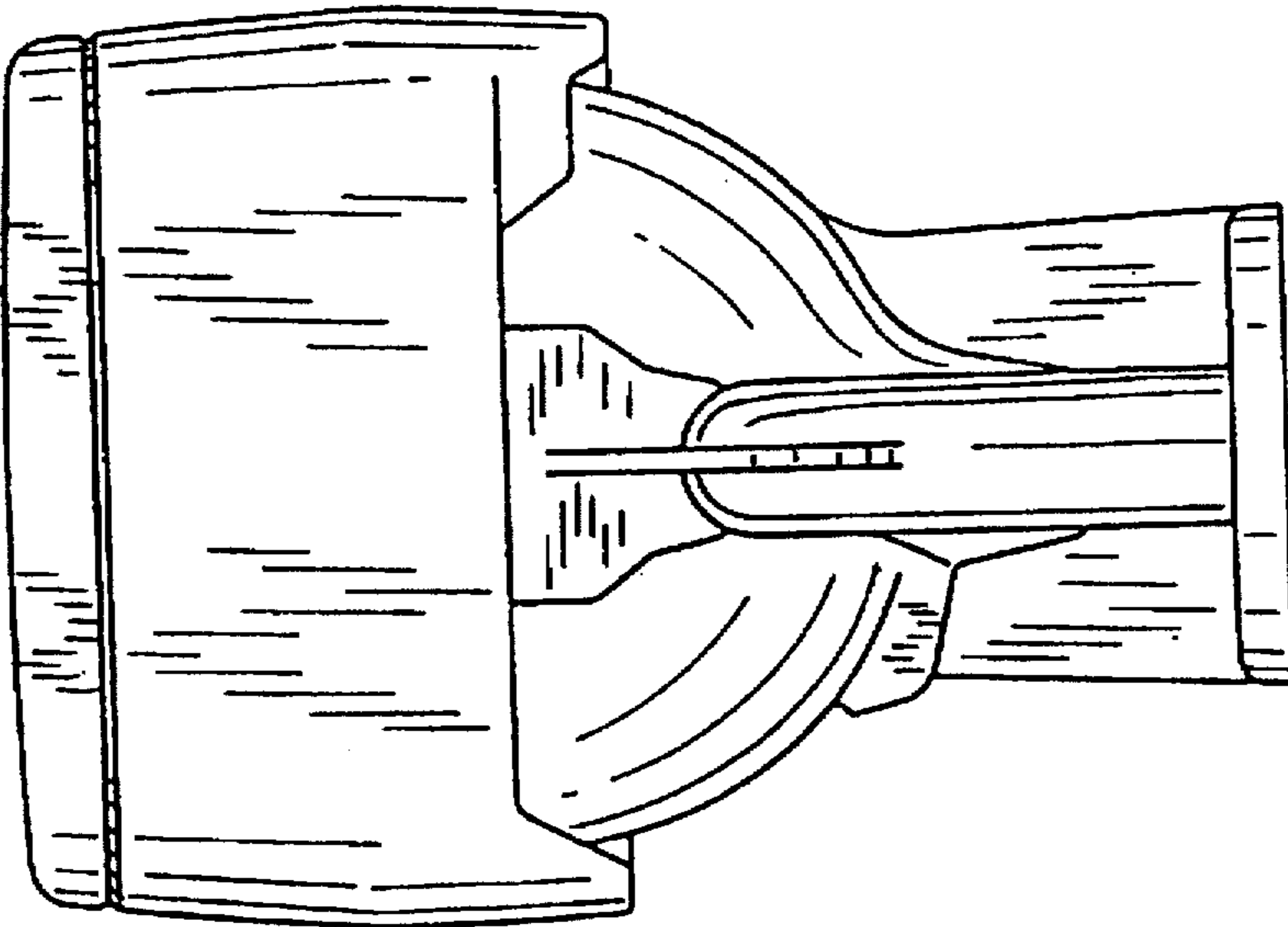


FIGURE 30

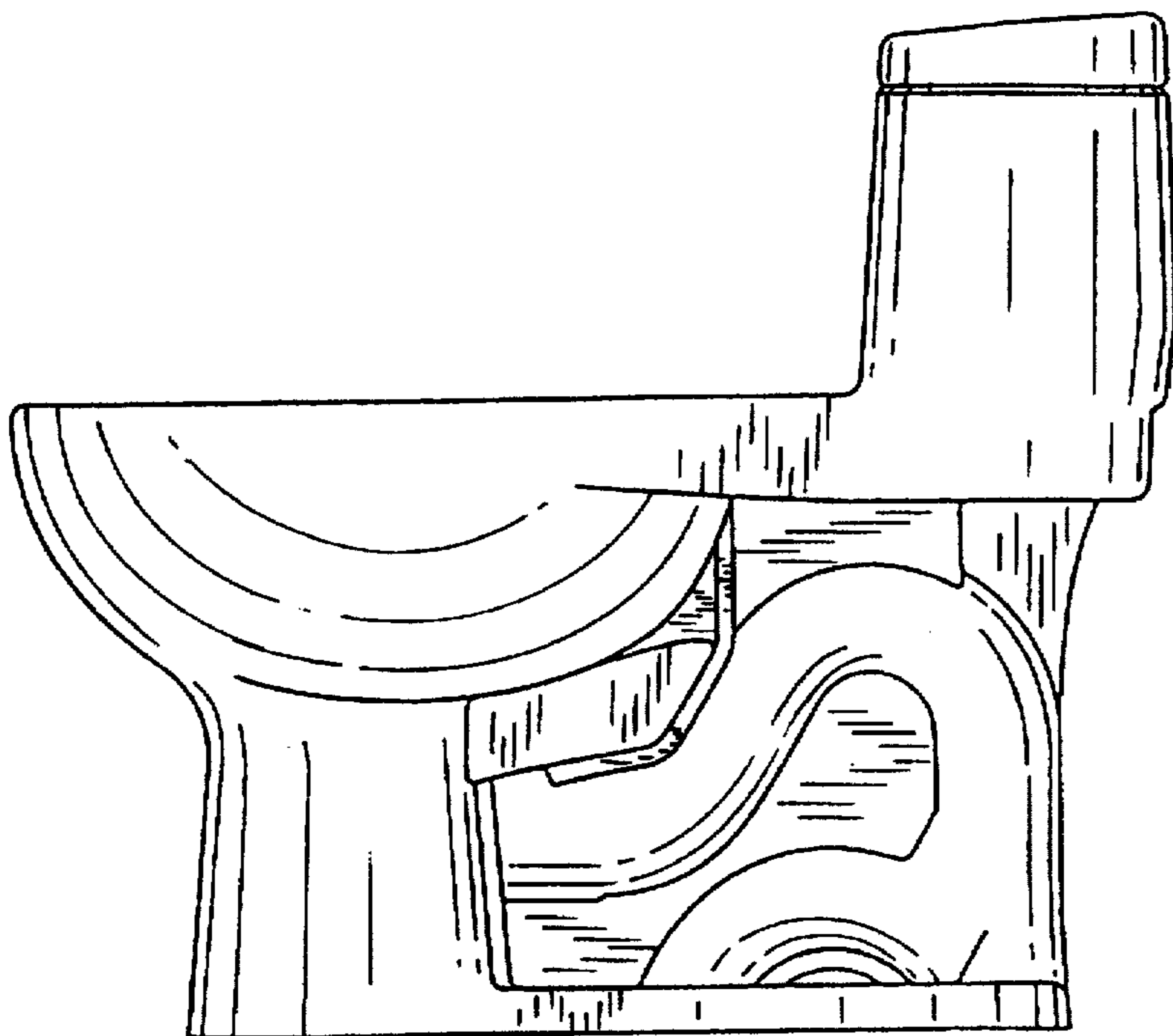


FIGURE 32

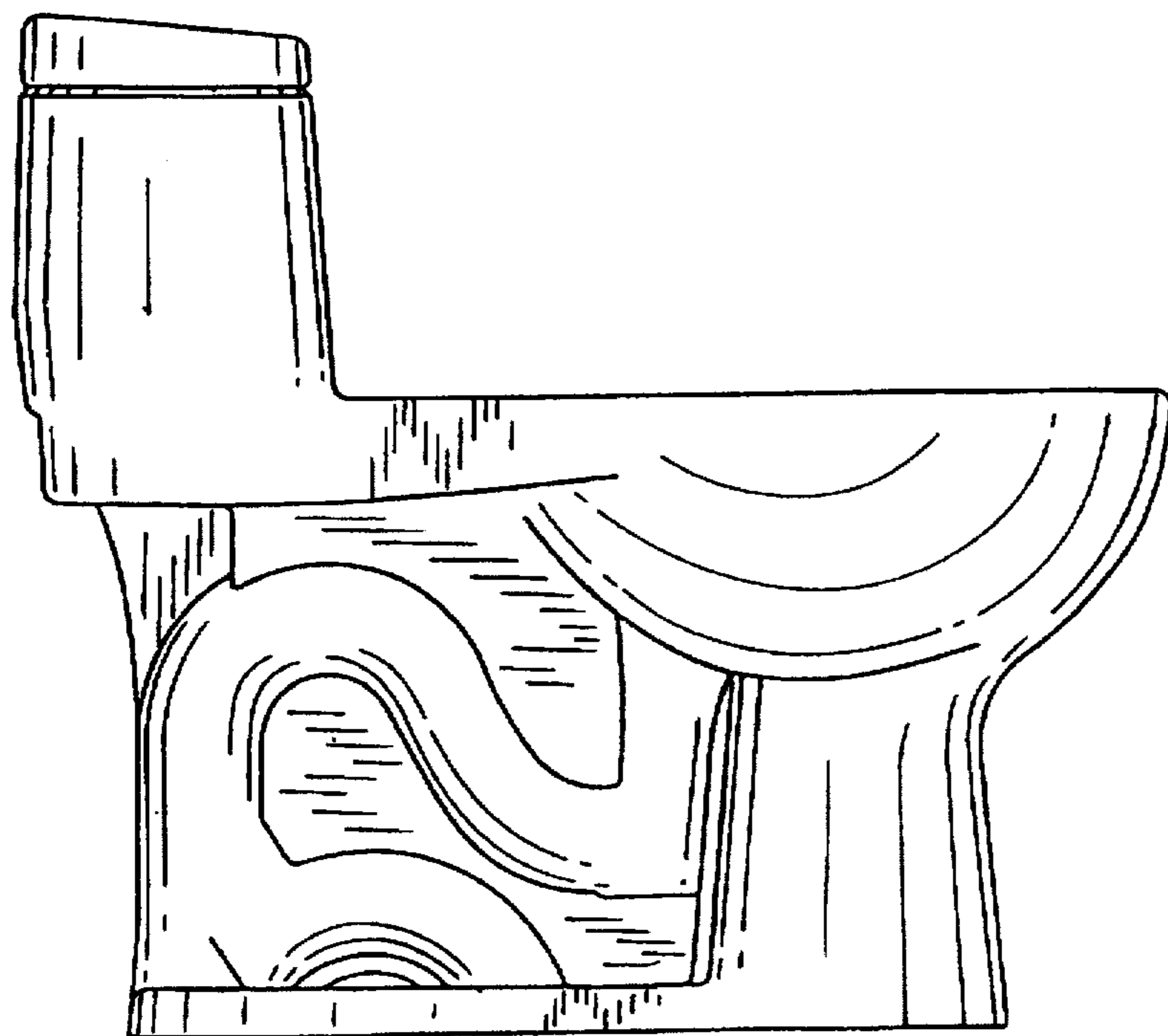


FIGURE 33

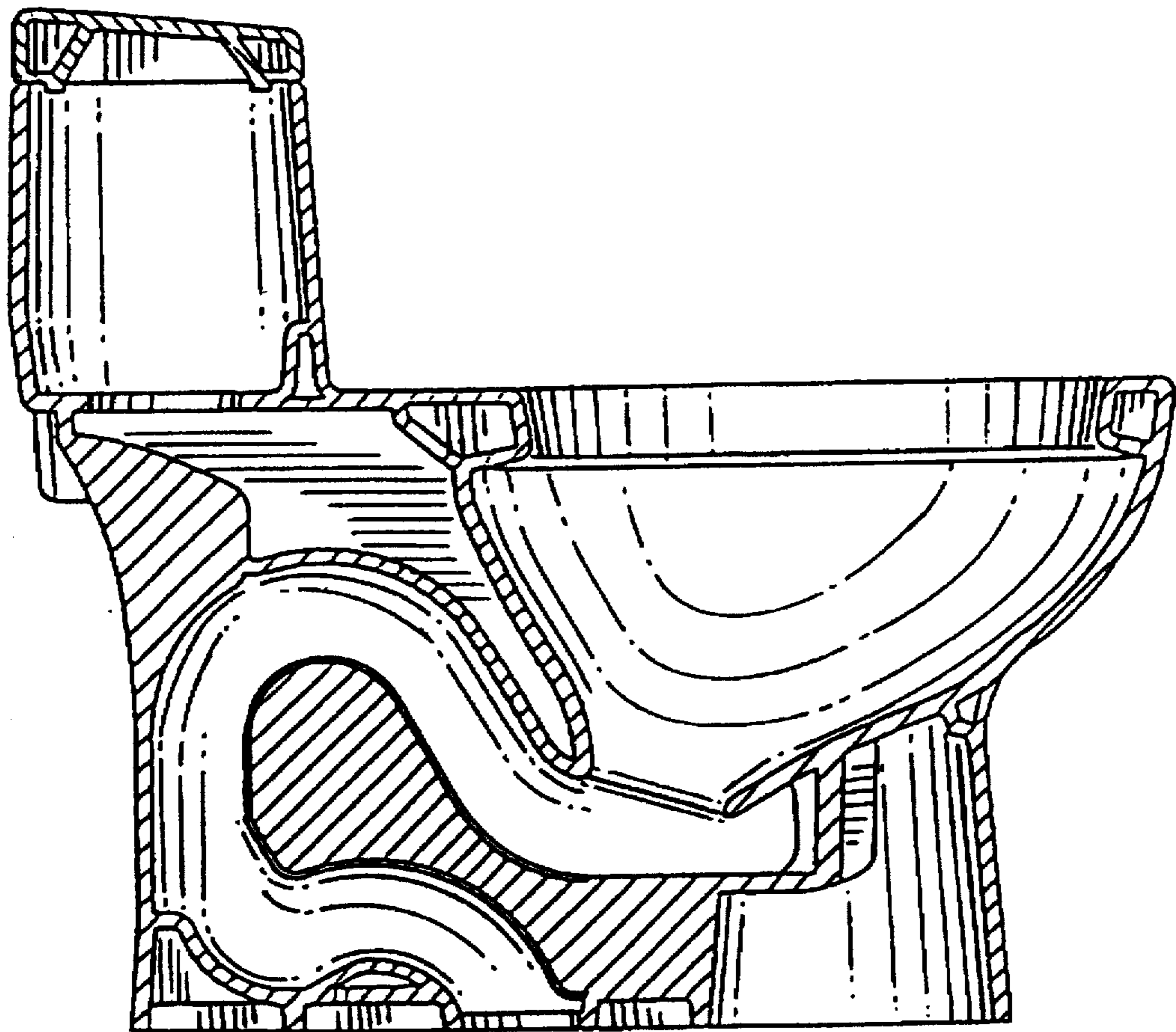


FIGURE 34

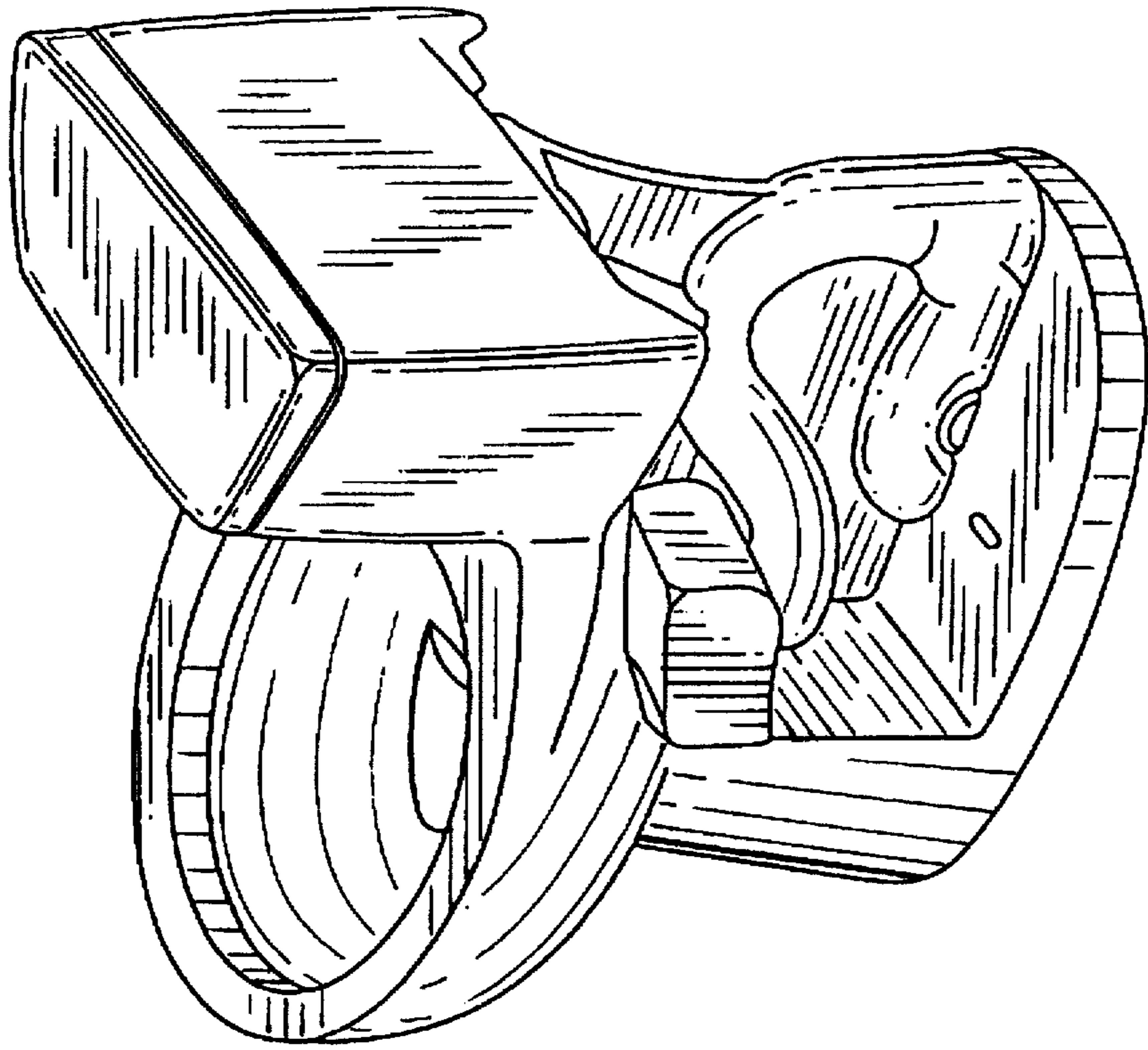


FIGURE 36

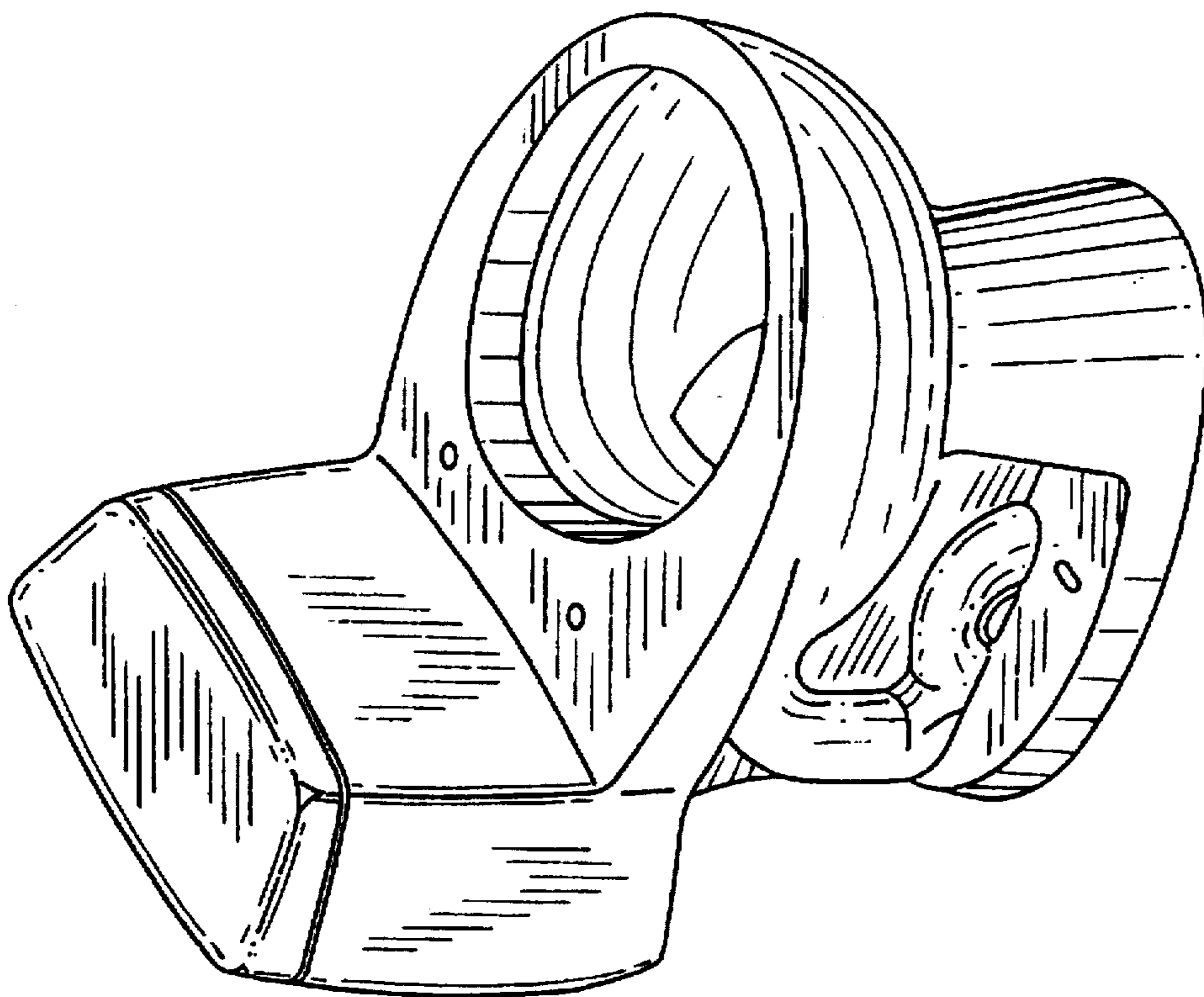


FIGURE 35

UNITED STATES PATENT AND TRADEMARK OFFICE
CERTIFICATE OF CORRECTION

PATENT NO. : Des. 384,136
DATED : September 23, 1997
INVENTOR(S) : Seijiro KAWAMURA et al.

It is certified that error appears in the above-identified patent and that said Letters Patent is hereby corrected as shown below:

On the Title Page, in the Description, column 2,

line 12, "long" should read --along--;
line 30, "elevation" should read --elevational--; and
line 38, "long" should read --along--.

Signed and Sealed this
Second Day of June, 1998

Attest:



BRUCE LEHMAN

Attesting Officer

Commissioner of Patents and Trademarks