



US00D384135S

United States Patent [19]

[11] Patent Number: **Des. 384,135**

Thomas

[45] Date of Patent: ****Sep. 23, 1997**

[54] **LAVATORY**

[75] Inventor: **Carter J. Thomas**, Port Washington, Wis.

[73] Assignee: **Kohler Co.**, Kohler, Wis.

[**] Term: **14 Years**

[21] Appl. No.: **44,881**

[22] Filed: **Oct. 2, 1995**

[51] LOC (6) Cl. **23-02**

[52] U.S. Cl. **D23/284**

[58] Field of Search **D23/284-293.1; 4/619, 624, 625, 626, 638-650**

[56] **References Cited**

U.S. PATENT DOCUMENTS

D. 186,301	10/1959	Hurwitz	D23/285
D. 242,859	12/1976	Gruber	D23/285
D. 243,325	2/1977	Krause et al.	D23/285
D. 288,352	2/1987	Smith	D23/58
D. 288,354	2/1987	Smith	D23/58
D. 319,682	9/1991	Sharp et al.	D23/285

OTHER PUBLICATIONS

Undated St. Thomas catalog ad, p. 11, showing "St. Tropez" lavatories.

Undated Porcher catalog ad, p. 8, showing a "Coquille" lavatory.

1987 Bates & Bates catalog ad showing "Renaissance" lavatories.

May 1992 Kohler catalog ad, pp. 13-10 showing a "Cantata" lavatory.

Undated Heaton's catalog ad showing "Oyster" and Aster lavatories.

Primary Examiner—Louis S. Zarfes
Assistant Examiner—Eric Watterson
Attorney, Agent, or Firm—Quarles & Brady

[57] **CLAIM**

The ornamental design for a lavatory, as shown and described.

DESCRIPTION

FIG. 1 is a right, top, front perspective view of a lavatory embodying my new design;

FIG. 2 is a top plan view thereof;

FIG. 3 is a bottom plan view thereof;

FIG. 4 is a cross-sectional view taken along line 4-4 of FIG. 2;

FIG. 5 is a cross-sectional view taken along line 5-5 of FIG. 2;

FIG. 6 is a front elevational view thereof;

FIG. 7 is a rear elevational view thereof; and,

FIG. 8 is a right side elevational view thereof, the left side elevational view being the mirror image of the right side shown.

The broken line representations of holes in FIGS. 1 and 2 are for purposes of illustration only, and form no part of the claimed design.

1 Claim, 3 Drawing Sheets

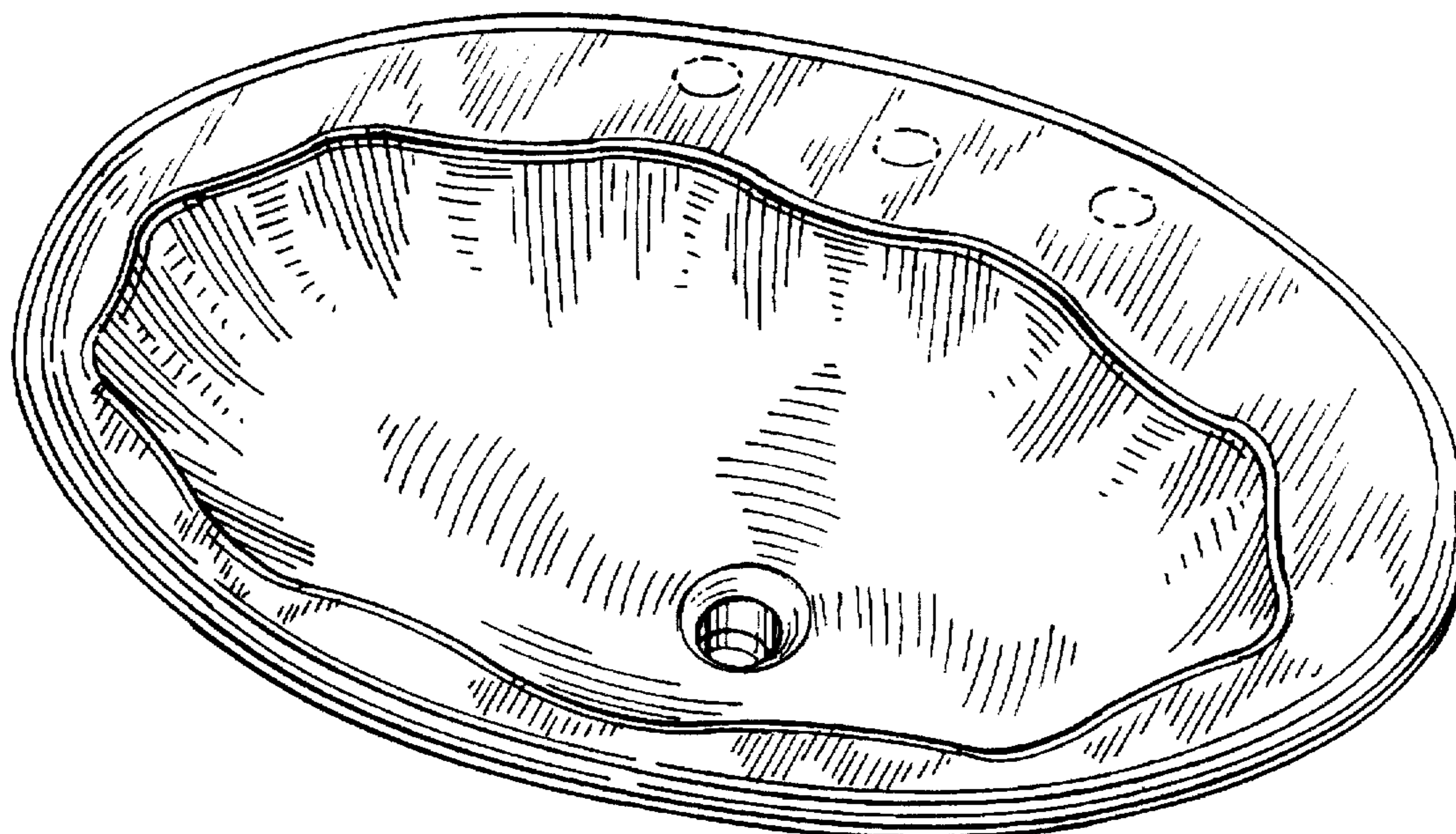


FIG. 1

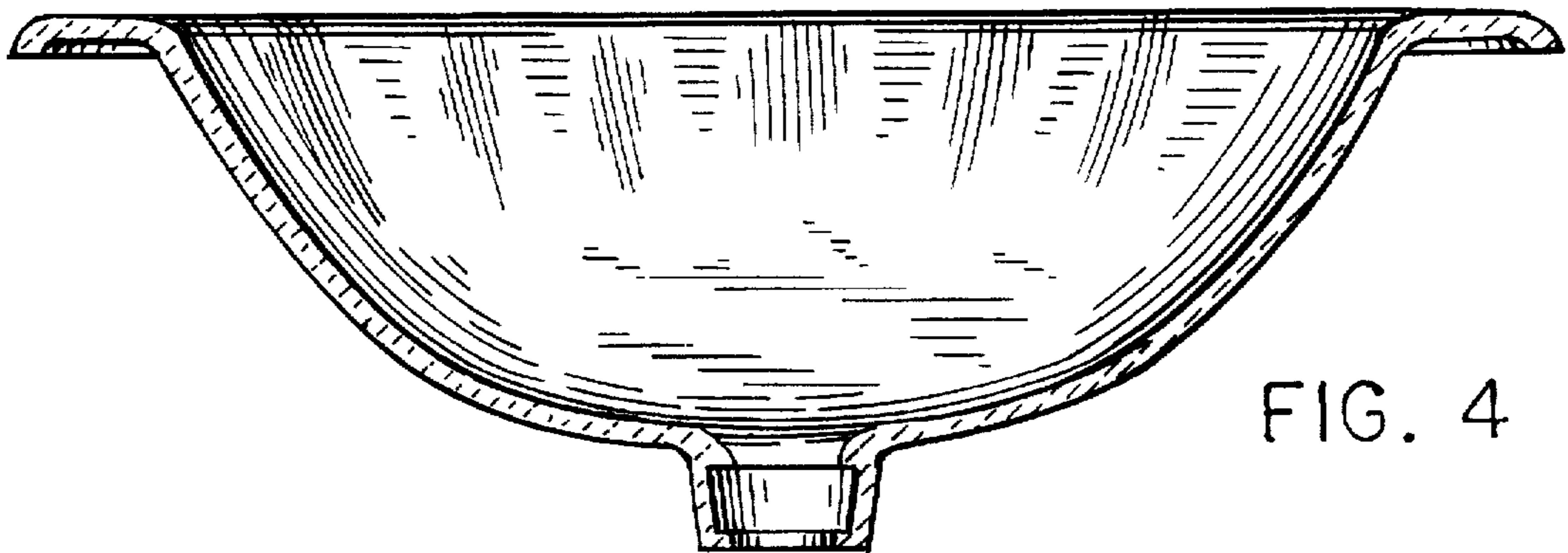
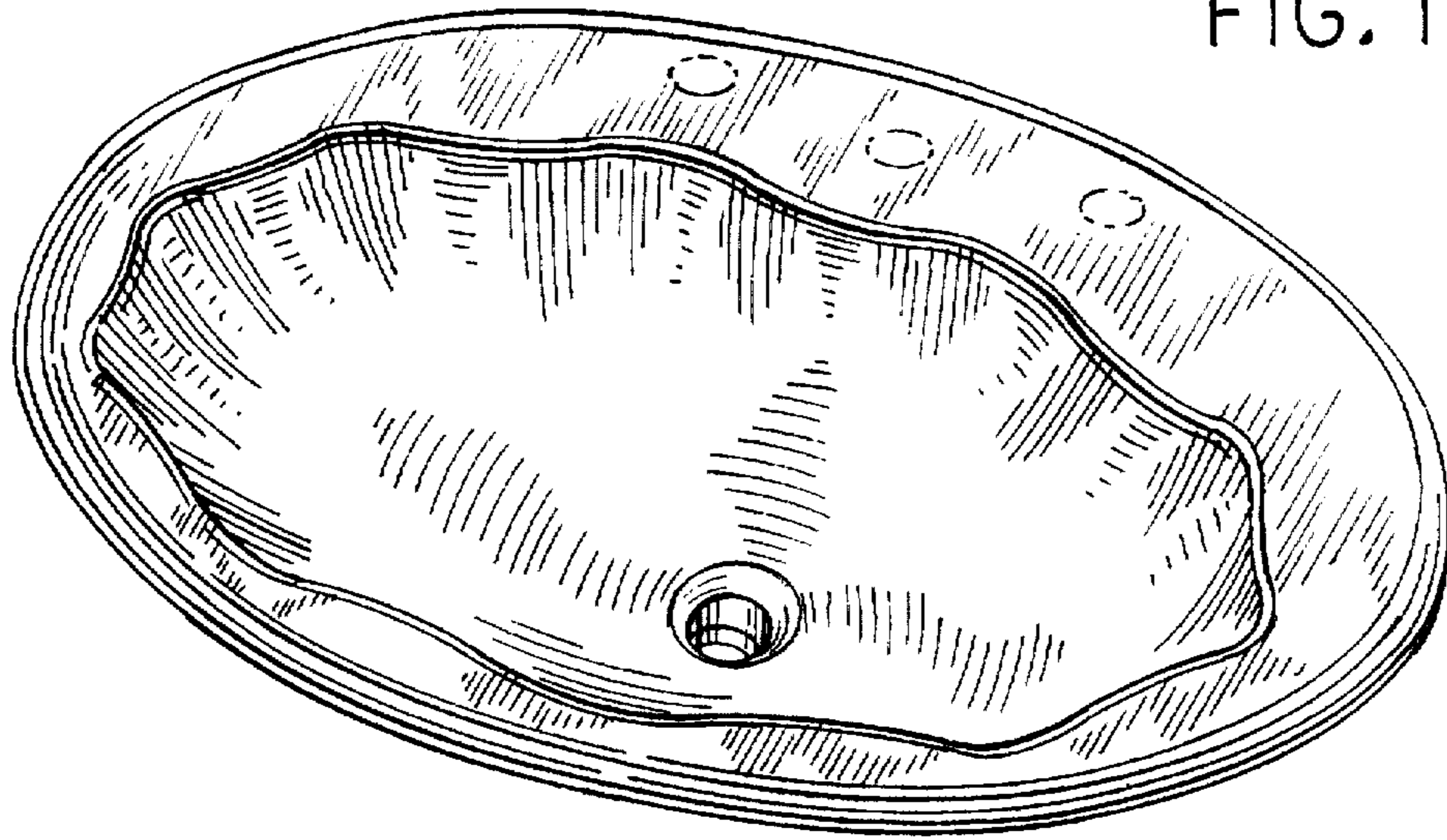


FIG. 4

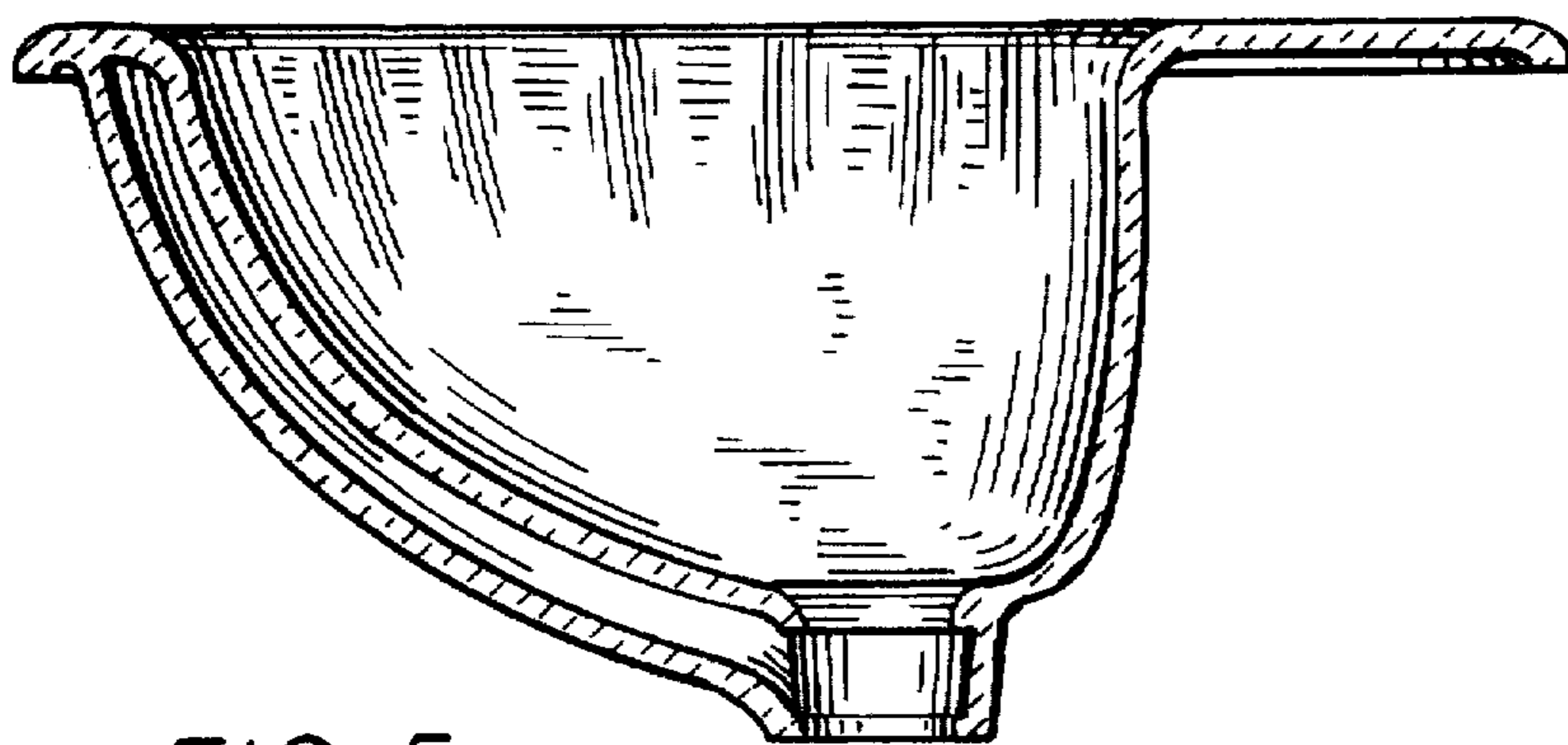


FIG. 5

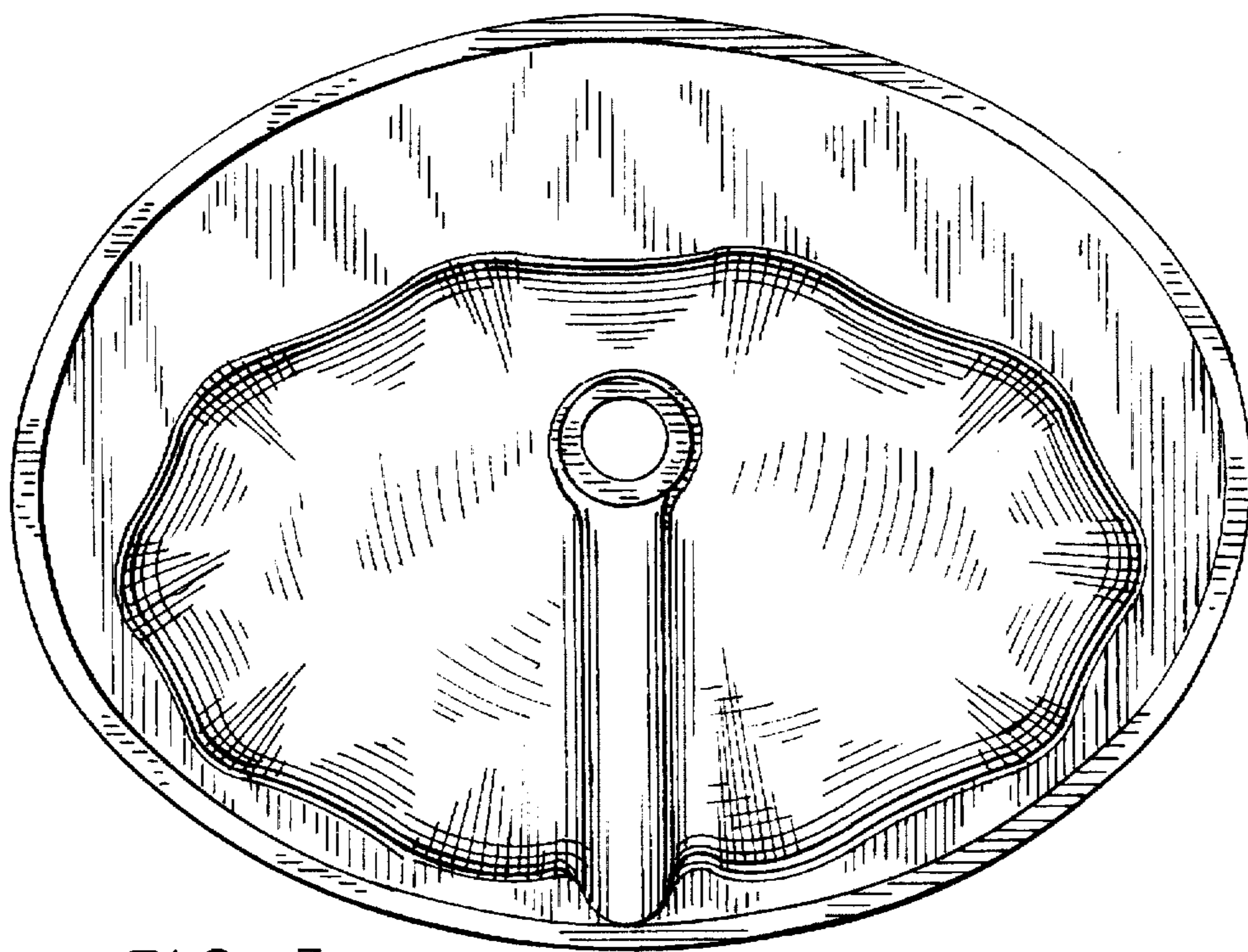
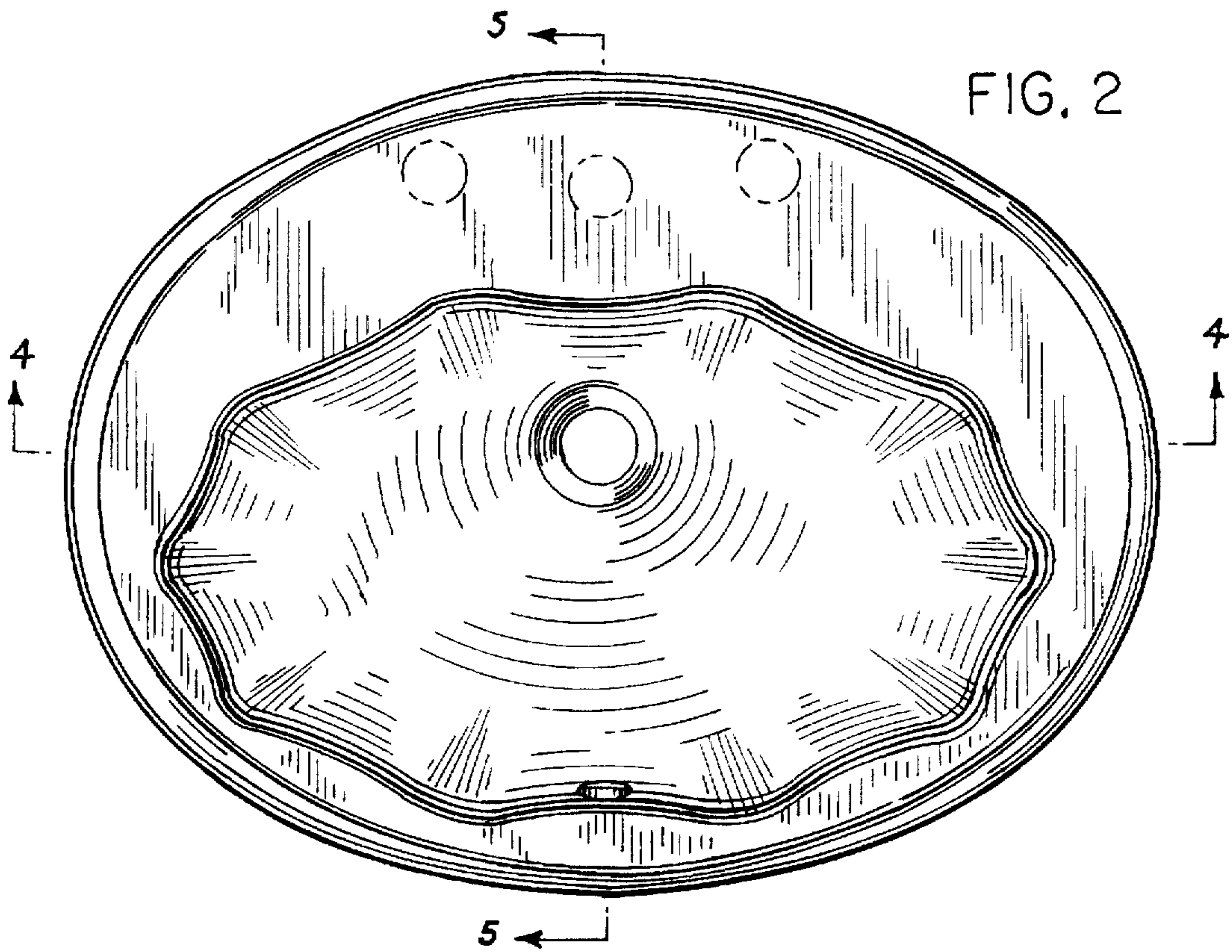


FIG. 6

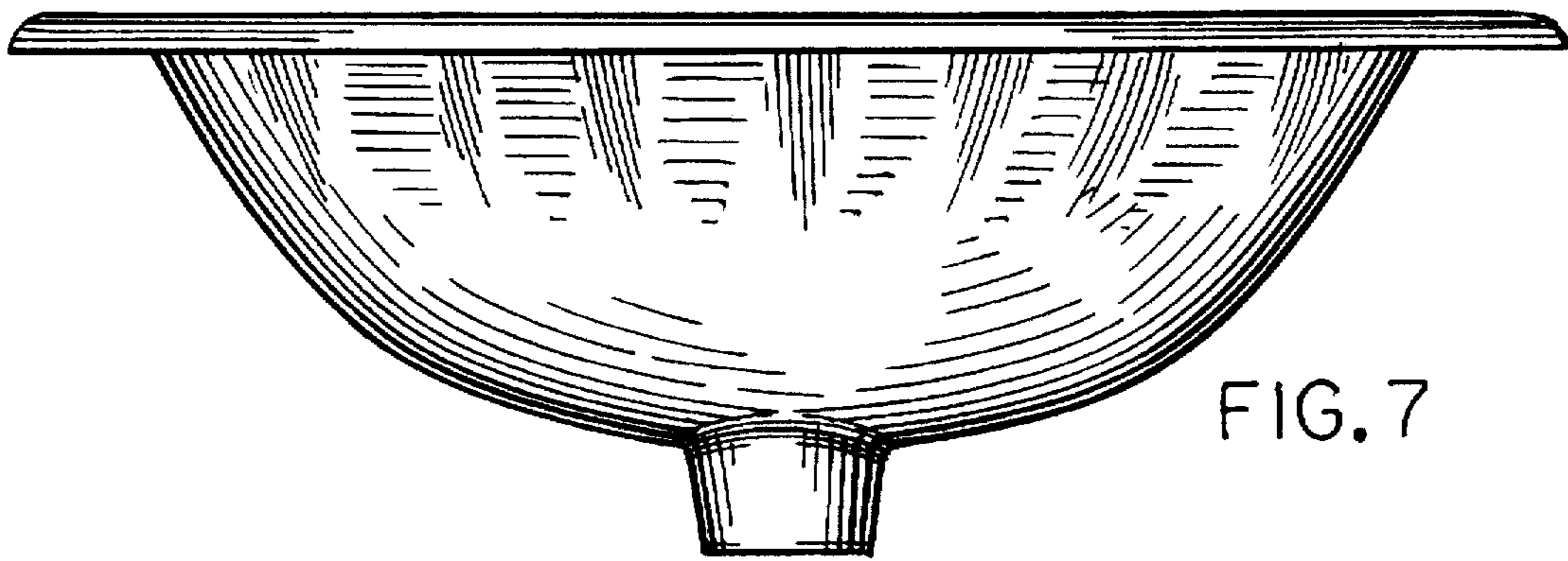
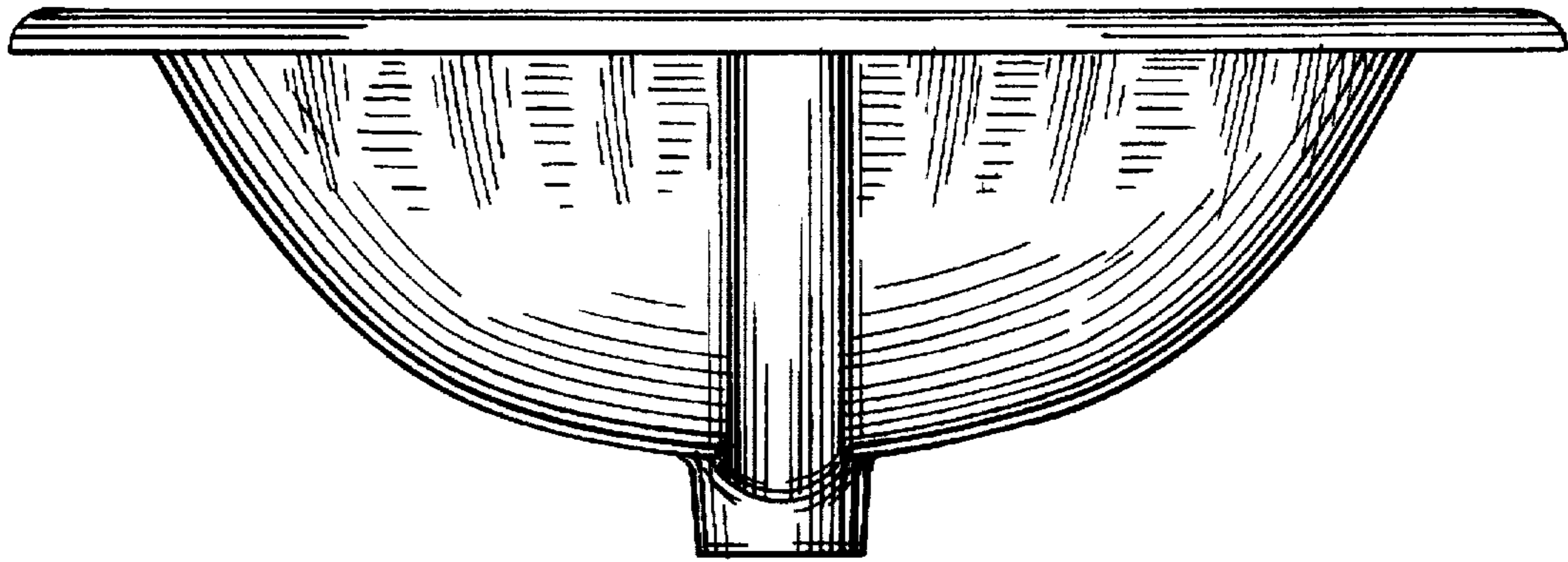


FIG. 7

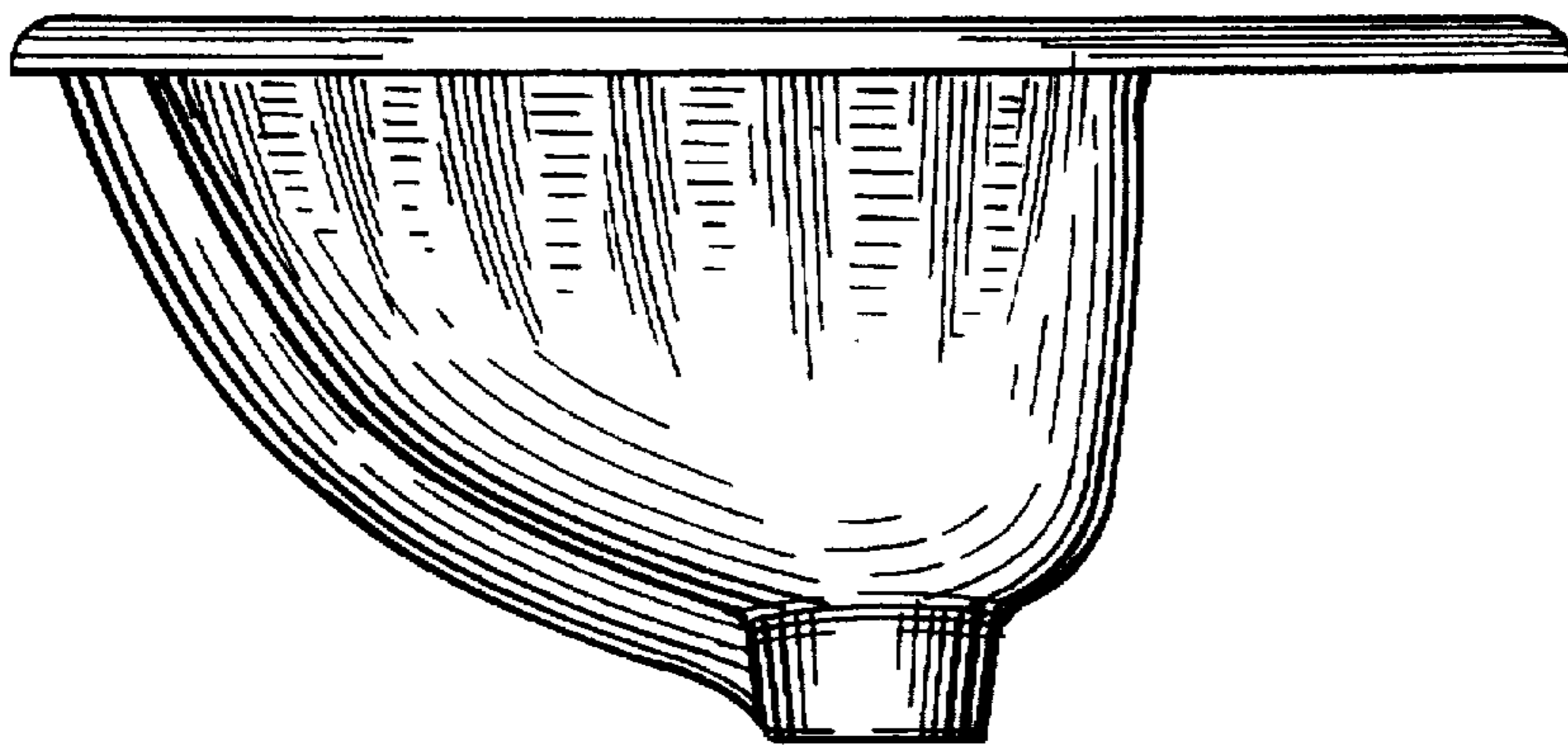


FIG. 8